



US00D955348S

(12) **United States Design Patent**  
**Zhang et al.**

(10) **Patent No.:** **US D955,348 S**  
(45) **Date of Patent:** **\*\* Jun. 21, 2022**

(54) **LED DISPLAY SCREEN**

(71) Applicant: **ROE Visual Co., Ltd.**, Guangdong (CN)

(72) Inventors: **Hong Zhang**, Guangdong (CN);  
**Shunwen Tian**, Guangdong (CN);  
**Danhu Cai**, Guangdong (CN)

(73) Assignee: **ROE VISUAL CO., LTD.**, Shenzhen (CN)

(\*\*) Term: **15 Years**

(21) Appl. No.: **29/714,998**

(22) Filed: **Nov. 27, 2019**

(30) **Foreign Application Priority Data**

May 28, 2019 (CN) ..... 201930267939.8

(51) **LOC (13) Cl.** ..... **14-03**

(52) **U.S. Cl.**

USPC ..... **D14/125**

(58) **Field of Classification Search**

USPC ..... D14/204, 209.1, 211, 221, 224-225,  
D14/227-228, 239, 371, 372, 373,  
D14/447-452, 125-129, 335-337,  
D14/374-377, 341, 440-442, 444,  
D14/446-447, 250, 217, 344-345,  
D14/348-349, 351-359, 363, 900;  
D8/355, 363, 373, 349; D6/672, 682,  
D6/300-314; D13/107, 101-103,  
D13/118-119, 184, 199; D10/30, 103,  
(Continued)

(56) **References Cited**

**U.S. PATENT DOCUMENTS**

D528,804 S \* 9/2006 Boergens ..... D6/301  
D600,233 S \* 9/2009 Birsell ..... D14/127  
D804,712 S \* 12/2017 Cai ..... D26/120

(Continued)

**OTHER PUBLICATIONS**

Orion HLVI2-5H 4K Video Wall Solutions Indoor Kinglight2121 LED Display Module, surveillance-video.com, [online], [site visited Oct. 19, 2021], Available from internet URL: [https://www.surveillance-video.com/monitor-hlvi2-5h.html?gclid=EAlaIqobChMlkeHF\\_JfX8wIVkbbICh0MegzHEAQYCiABEgl1UfD\\_BwE](https://www.surveillance-video.com/monitor-hlvi2-5h.html?gclid=EAlaIqobChMlkeHF_JfX8wIVkbbICh0MegzHEAQYCiABEgl1UfD_BwE) (Year: 2021).\*

(Continued)

*Primary Examiner* — Samantha Q Lawrence

*Assistant Examiner* — Holly M Rodriguez

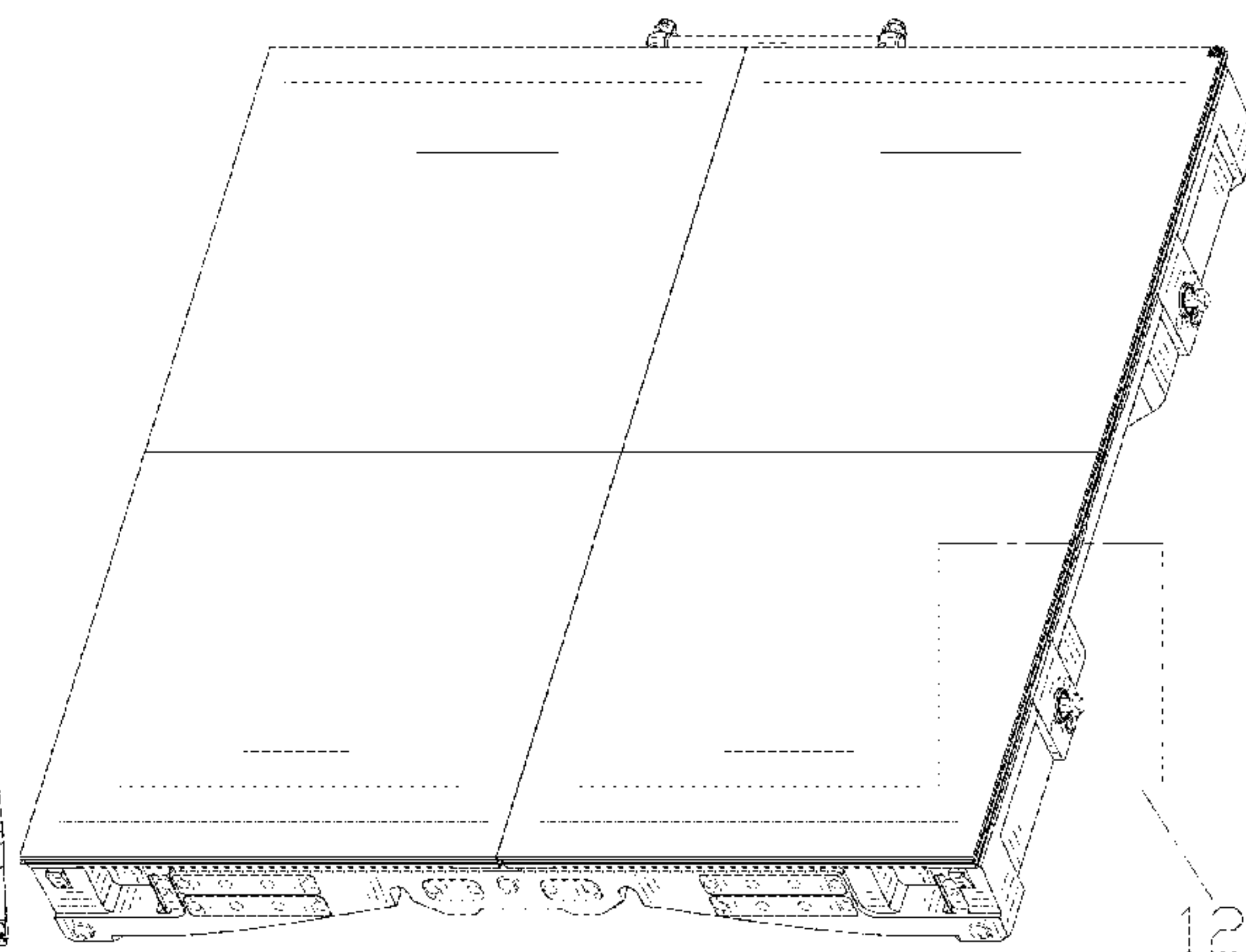
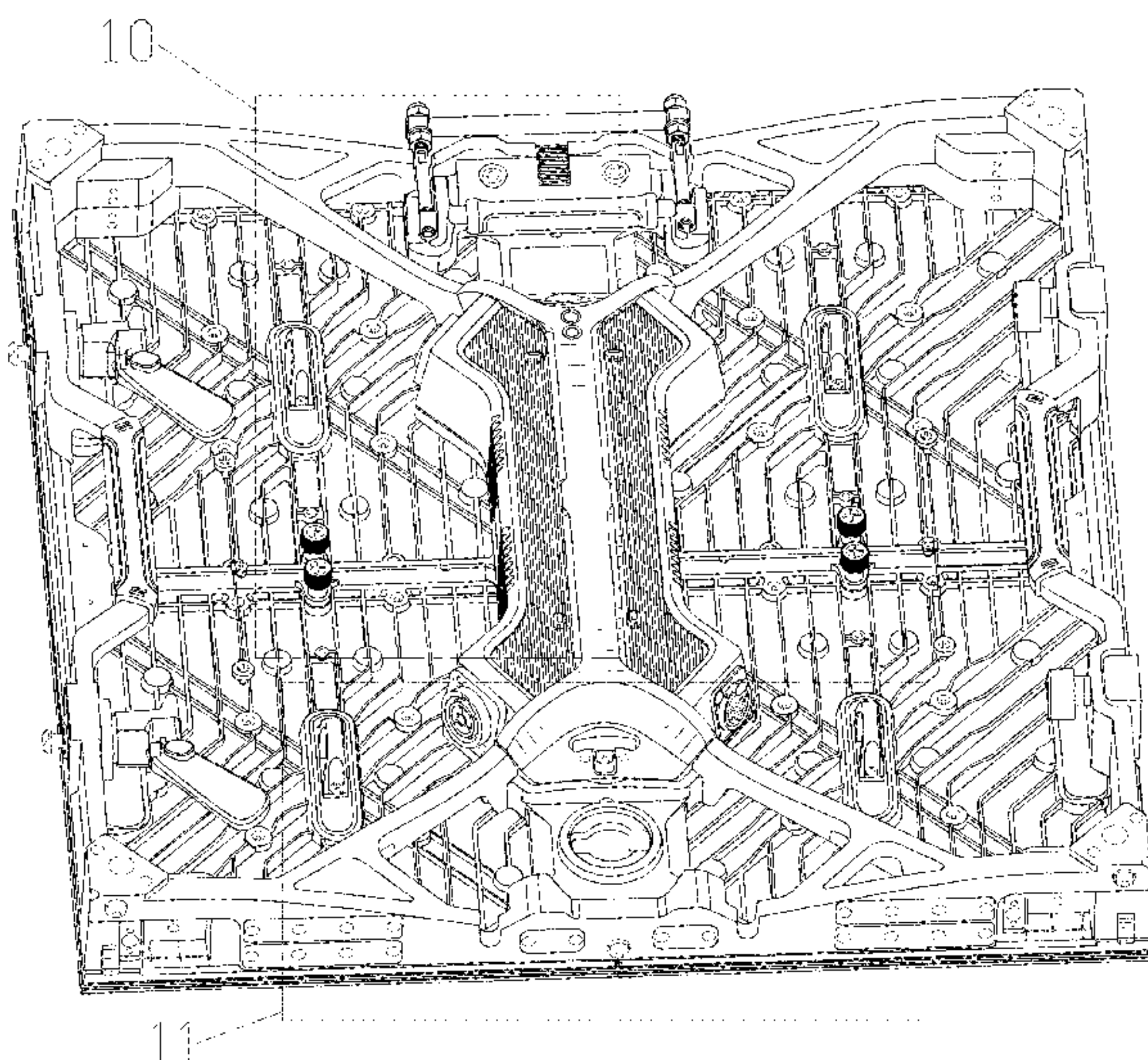
(57) **CLAIM**

The ornamental design for an LED display screen, as shown and described.

**DESCRIPTION**

FIG. 1 is a bottom, front and left side perspective view of an LED display screen showing our new design;  
FIG. 2 is a bottom, rear and left side perspective view thereof;  
FIG. 3 is a top, rear and right side perspective view thereof;  
FIG. 4 is a front elevational view thereof;  
FIG. 5 is a rear elevational view thereof;  
FIG. 6 is a left side view thereof;  
FIG. 7 is a right side view thereof;  
FIG. 8 is a top plan view thereof;  
FIG. 9 is a bottom plan view thereof;  
FIG. 10 is an enlarged view of portion 10 in FIG. 1;  
FIG. 11 is an enlarged view of portion 11 in FIG. 1;  
FIG. 12 is an enlarged view of portion 12 in FIG. 2;  
FIG. 13 is an enlarged view of portion 13 in FIG. 6; and,  
FIG. 14 is an enlarged view of portion 14 in FIG. 7.  
The broken lines in the drawings illustrate portions of the LED display screen which form no part of the claimed design.

**1 Claim, 14 Drawing Sheets**



(58) **Field of Classification Search**

USPC ..... D10/123, 125, 132; D16/101, 216–217;  
 D12/106; D24/103, 138, 140–144  
 CPC ..... F16M 11/2085; F16M 11/2092; F16M  
 11/2007; F16M 11/2014; F16M 11/2021;  
 F16M 11/105; F16M 11/10; F16M  
 11/048; F16M 11/12; F16M 13/022;  
 H04R 9/06; H04R 1/24; H04R 11/02;  
 H04R 2400/00; G06F 1/20; G06F 1/1628;  
 G06F 1/1626; G06F 1/1669; G06F  
 1/1679; H05K 5/00; H05K 5/0213; H05K  
 5/30; H05K 5/03; H05K 5/0017; A47B  
 23/044; A47B 97/001; A47B 81/061;  
 H04B 1/3888; A45C 11/00; A63B  
 2225/685; H04M 1/0202; H04M 1/0266;  
 H04M 1/725

See application file for complete search history.

(56) **References Cited**

U.S. PATENT DOCUMENTS

D825,559 S \* 8/2018 Lu ..... D14/371  
 D920,432 S \* 5/2021 Lee ..... D20/42  
 D920,434 S \* 5/2021 Hwang ..... D20/42  
 11,102,896 B1 \* 8/2021 Zhang ..... H05K 5/0017  
 2016/0210886 A1 \* 7/2016 Brashnyk ..... G09F 9/33  
 2016/0348854 A1 \* 12/2016 Wu ..... G09F 9/33  
 2019/0012955 A1 \* 1/2019 Xu ..... G09F 13/0413  
 2019/0066894 A1 \* 2/2019 Zhu ..... H05K 1/111

2019/0289729 A1 \* 9/2019 Nguyen ..... H05K 5/0217  
 2019/0373745 A1 \* 12/2019 Miller ..... H05K 5/0204  
 2020/0029446 A1 \* 1/2020 Lei ..... H05K 5/0217  
 2020/0063767 A1 \* 2/2020 Jung ..... G09F 9/3026  
 2020/0068726 A1 \* 2/2020 Hwang ..... E05C 3/04  
 2020/0113078 A1 \* 4/2020 Kim ..... H05K 5/0017  
 2020/0310502 A1 \* 10/2020 Cho ..... G06F 1/20  
 2020/0375039 A1 \* 11/2020 Mudd ..... H05K 5/0217  
 2020/0375041 A1 \* 11/2020 Lee ..... G09F 9/33  
 2020/0380895 A1 \* 12/2020 Nakano ..... G09F 9/3026  
 2020/0389987 A1 \* 12/2020 Kanno ..... G09F 9/3026  
 2021/0005783 A1 \* 1/2021 Wu ..... G09F 13/0413  
 2021/0010631 A1 \* 1/2021 Wang ..... G09F 9/3026  
 2021/0274661 A1 \* 9/2021 Zhang ..... G09F 9/33

OTHER PUBLICATIONS

P3.91 Outdoor Curve Round LED Display Screen, hll-ledscreens.com, [online], [site visited Oct. 19, 2021], Available from internet URL: <http://www.hll-ledscreens.com/led-display-screens/led-rental-display-screen/p3-91-outdoor-curve-round-led-display-screen.html> (Year: 2021).\*

RUBY Next generation of LED panels, oevisual.com, [online], [site visited Oct. 19, 2021], Available from internet URL: <https://www.oevisual.com/en/ruby> (Year: 2021).\*

Full color indoor tv panel P2 P2.5 P3 P4 P5 P6 led video wall, alibaba.com, [online], [site visited Oct. 19, 2021], Available from internet URL: [https://www.alibaba.com/product-detail/full-color-indoor-tv-panel-P2\\_60523957916.html?spm=a2700.details.maylikeexp.1.8d686bce8SDGzg](https://www.alibaba.com/product-detail/full-color-indoor-tv-panel-P2_60523957916.html?spm=a2700.details.maylikeexp.1.8d686bce8SDGzg) (Year: 2021).\*

\* cited by examiner



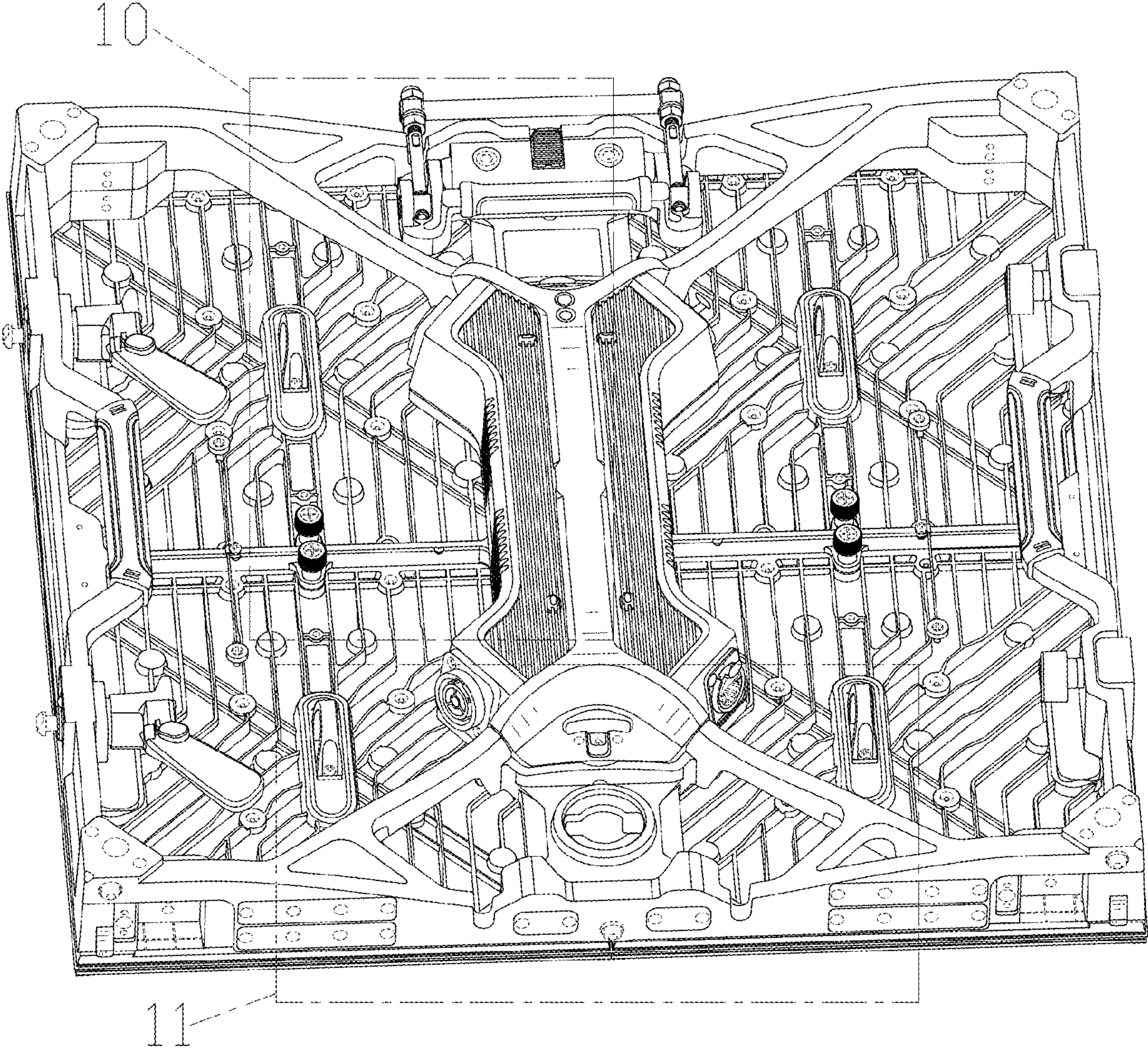


FIG. 1

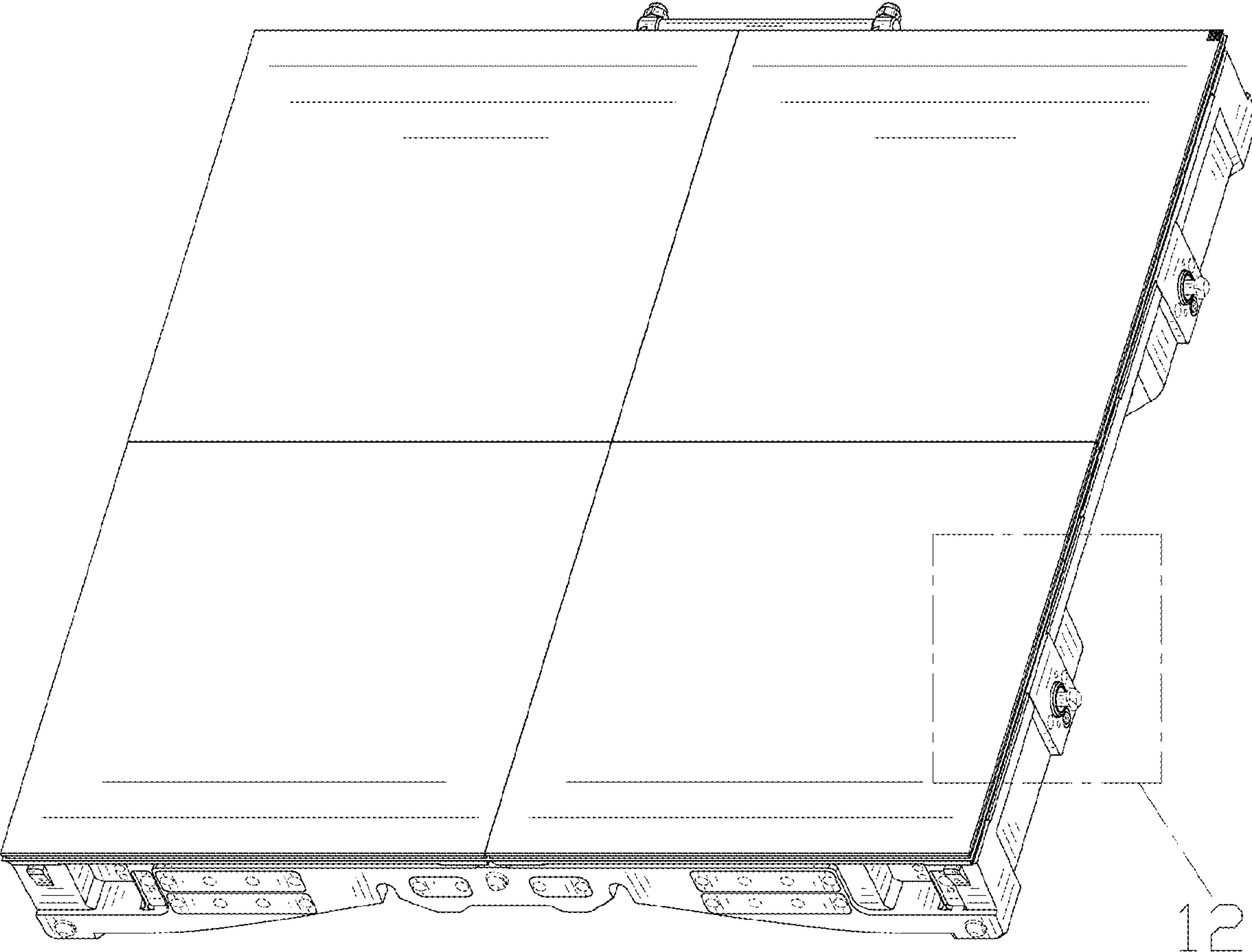


FIG. 2



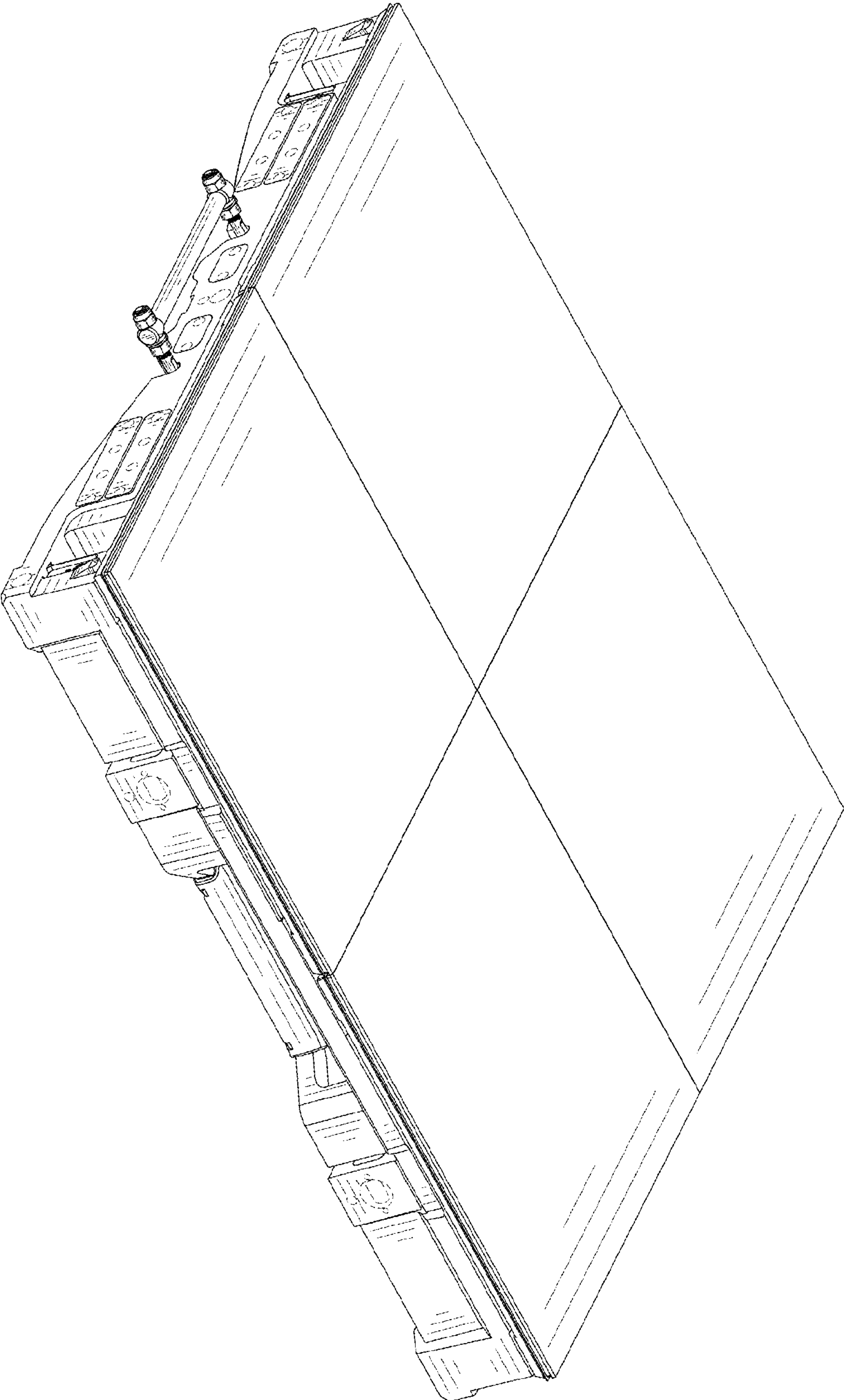


FIG. 3

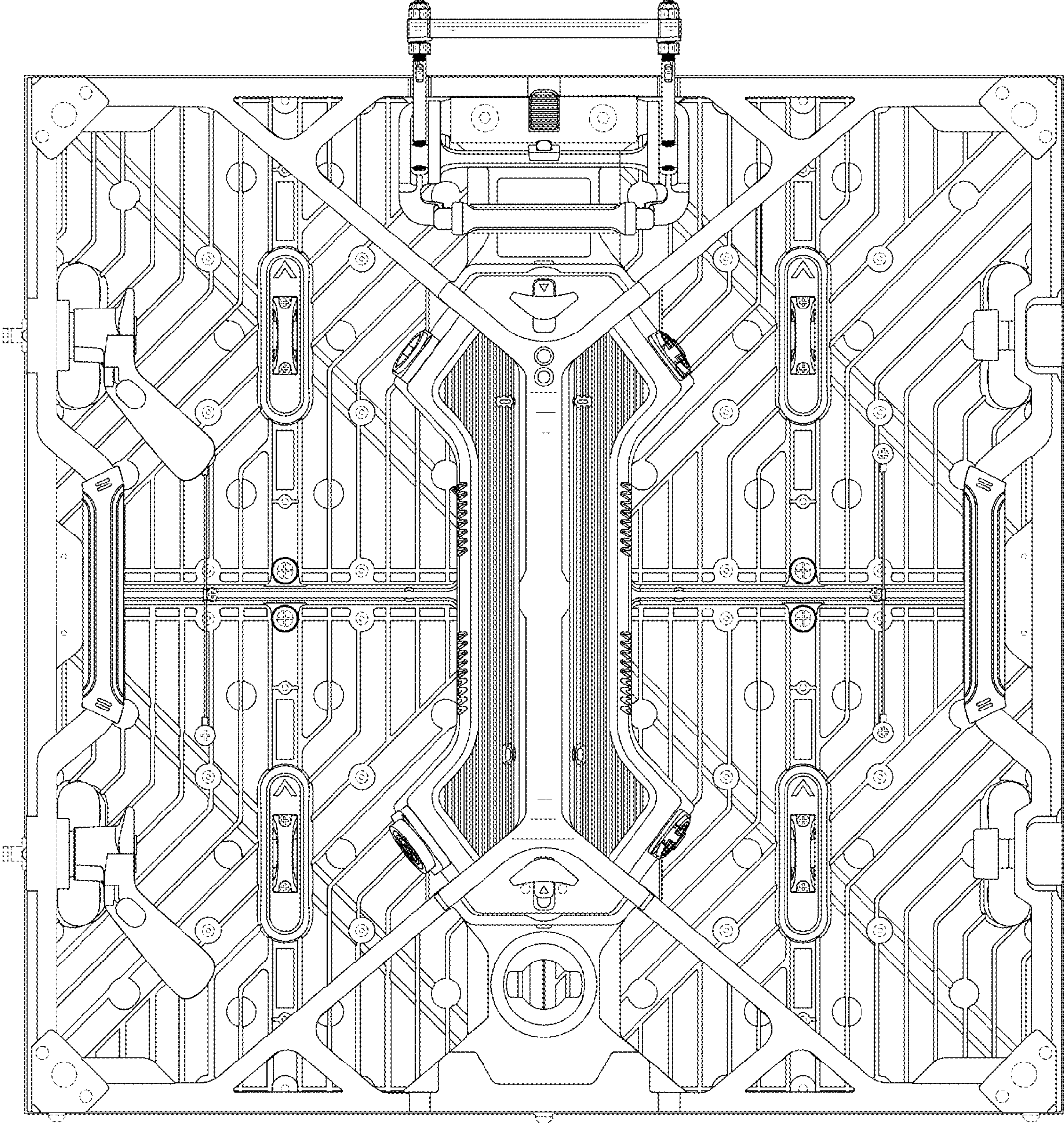


FIG. 4



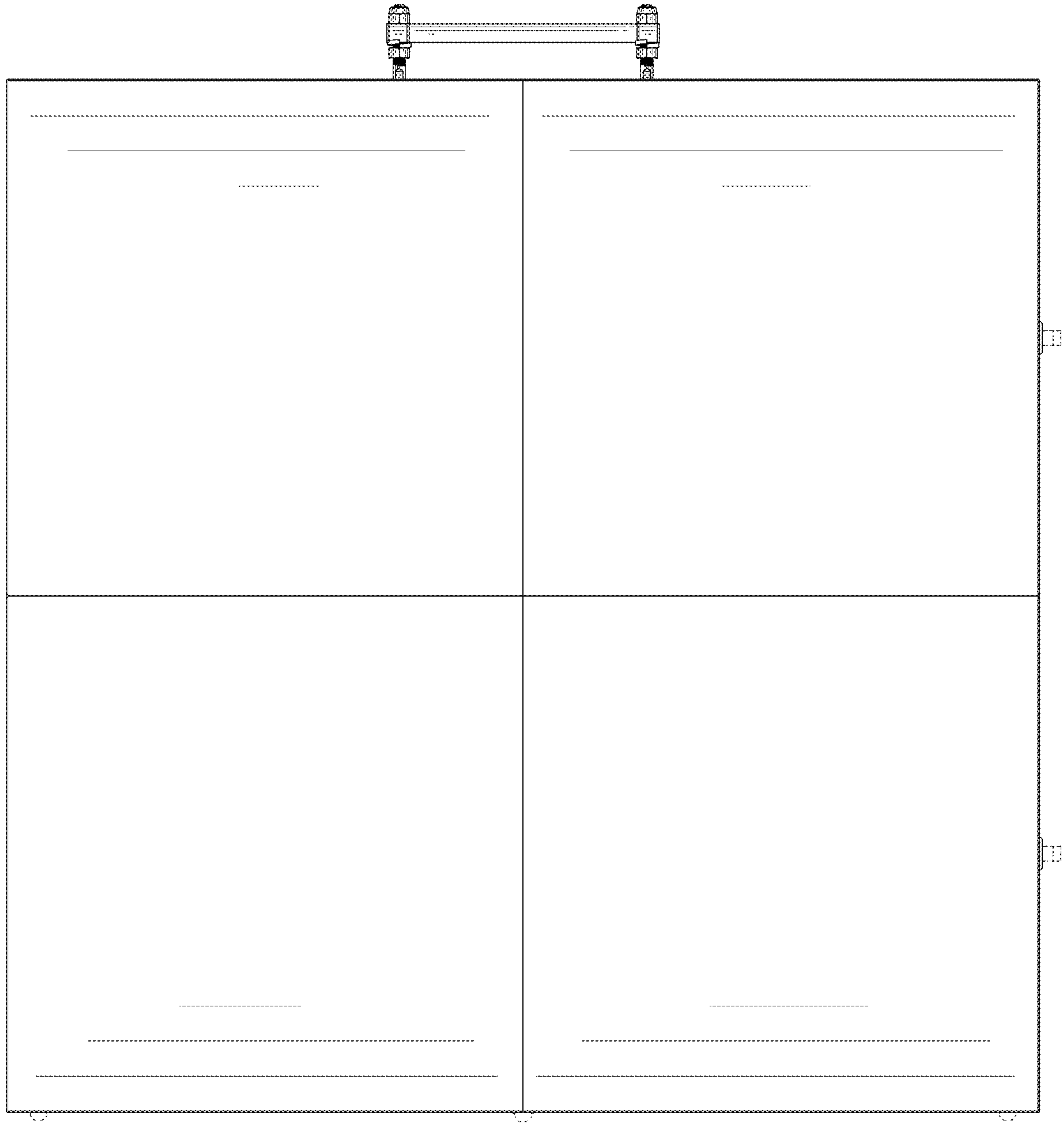


FIG. 5

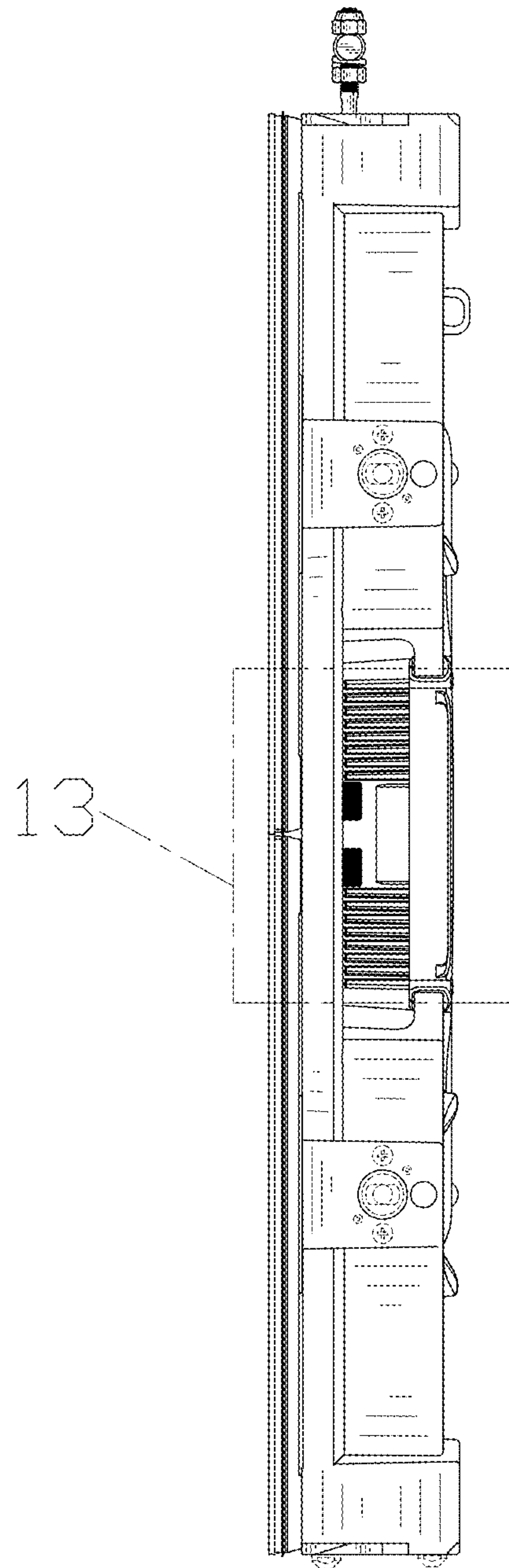


FIG. 6



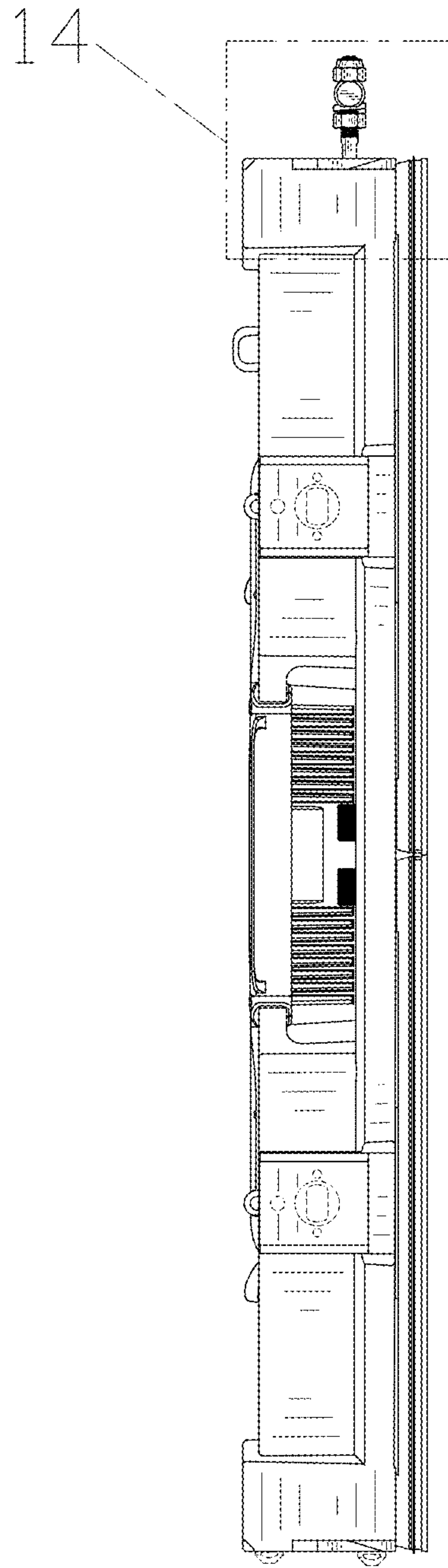


FIG. 7

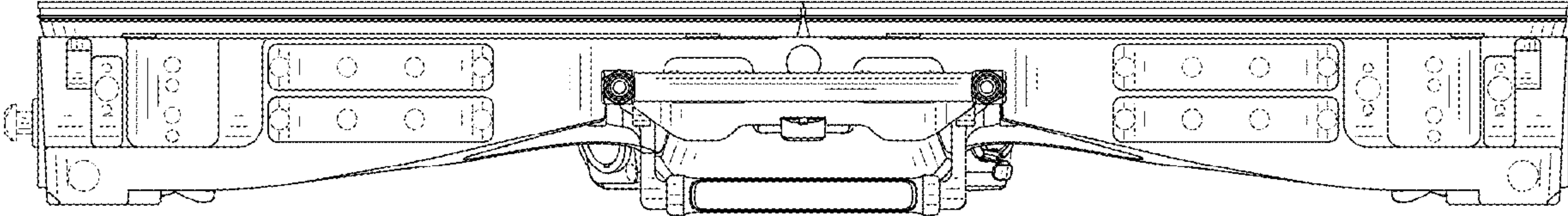


FIG. 8



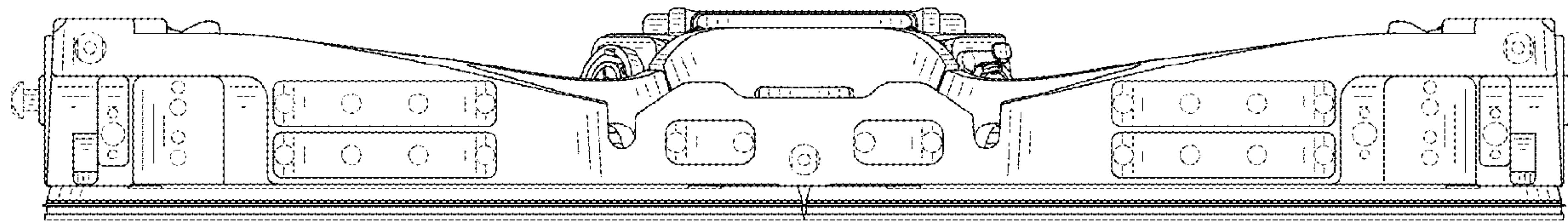


FIG. 9

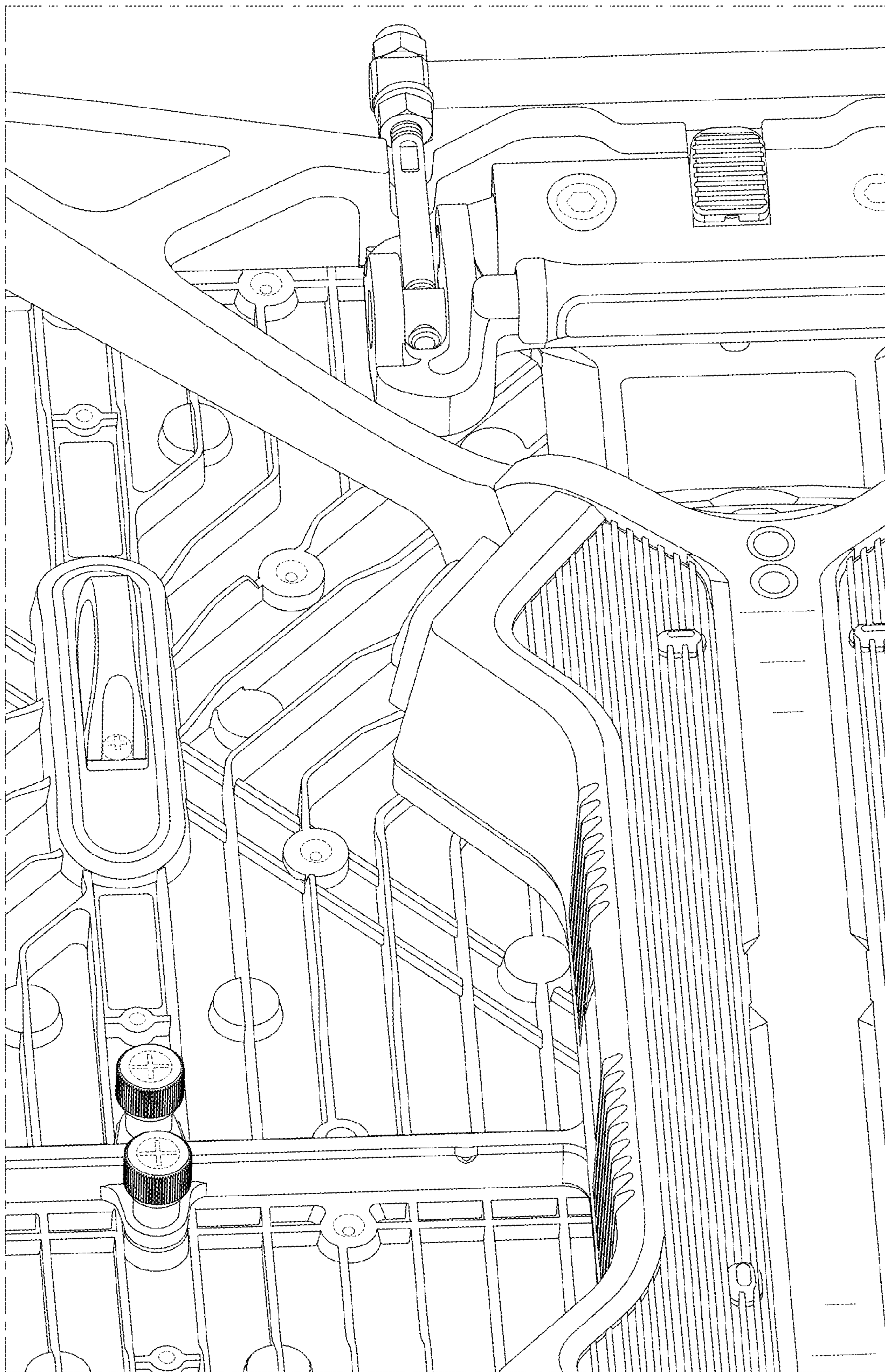


FIG. 10



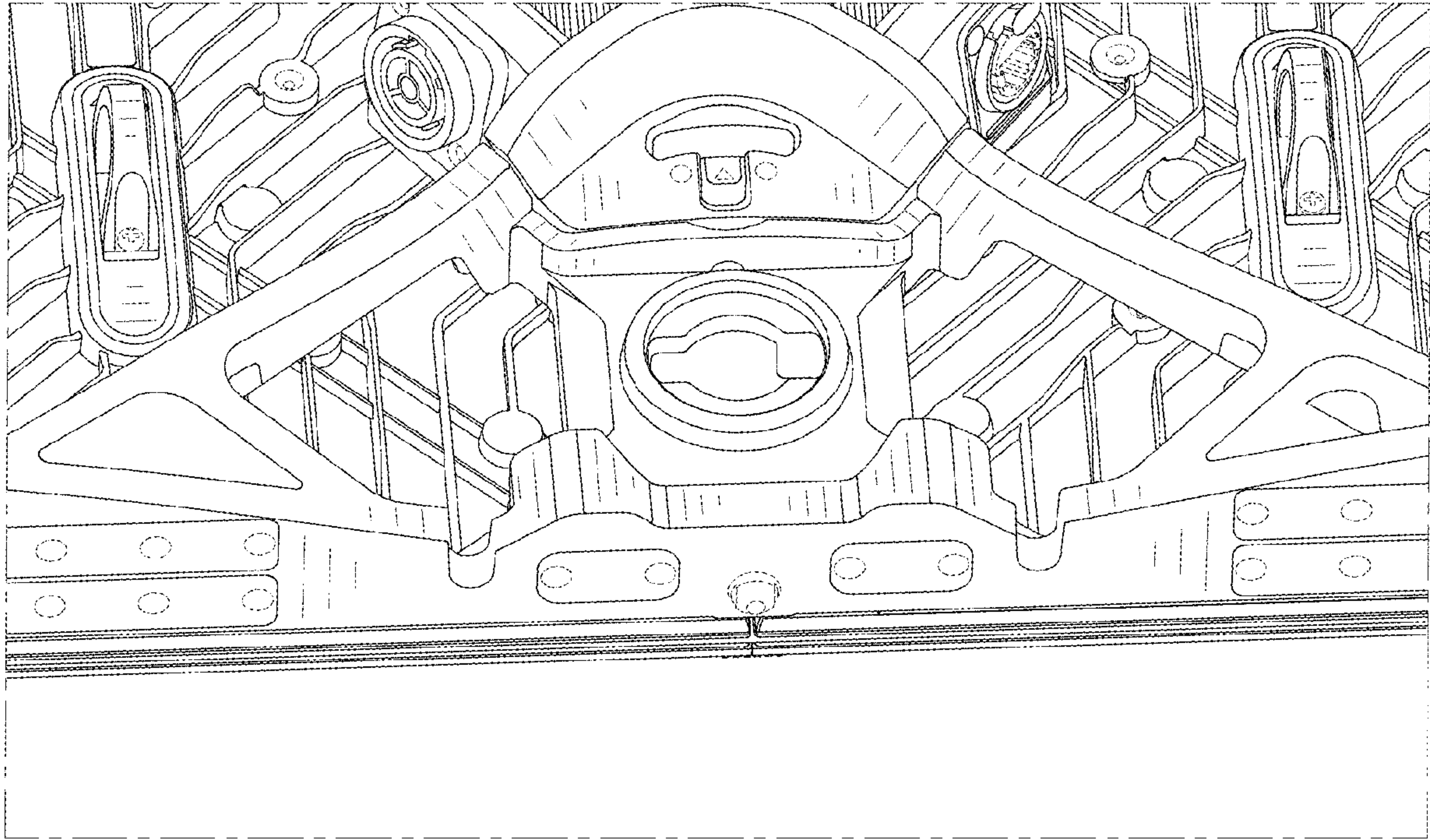


FIG. 11

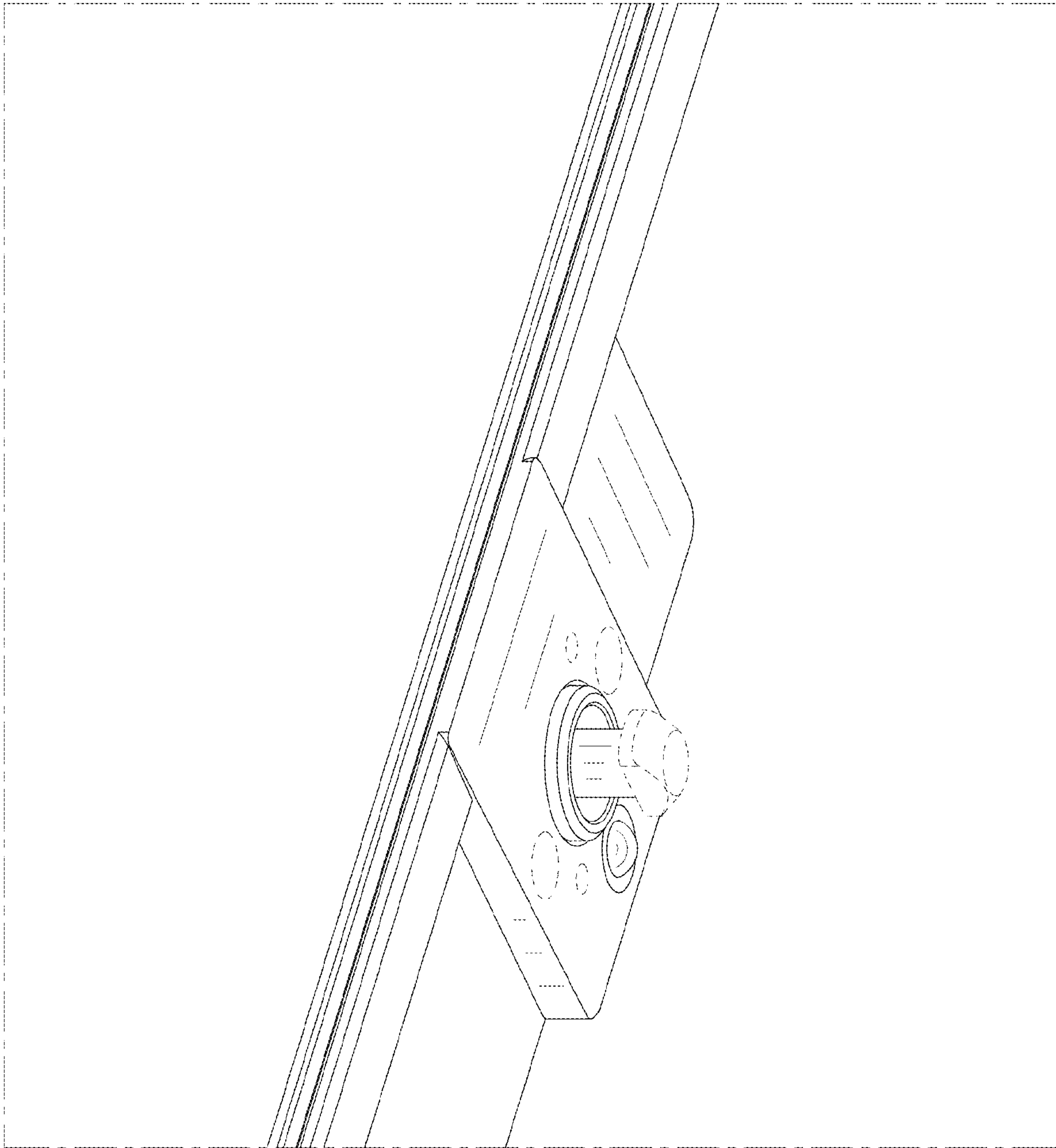


FIG. 12



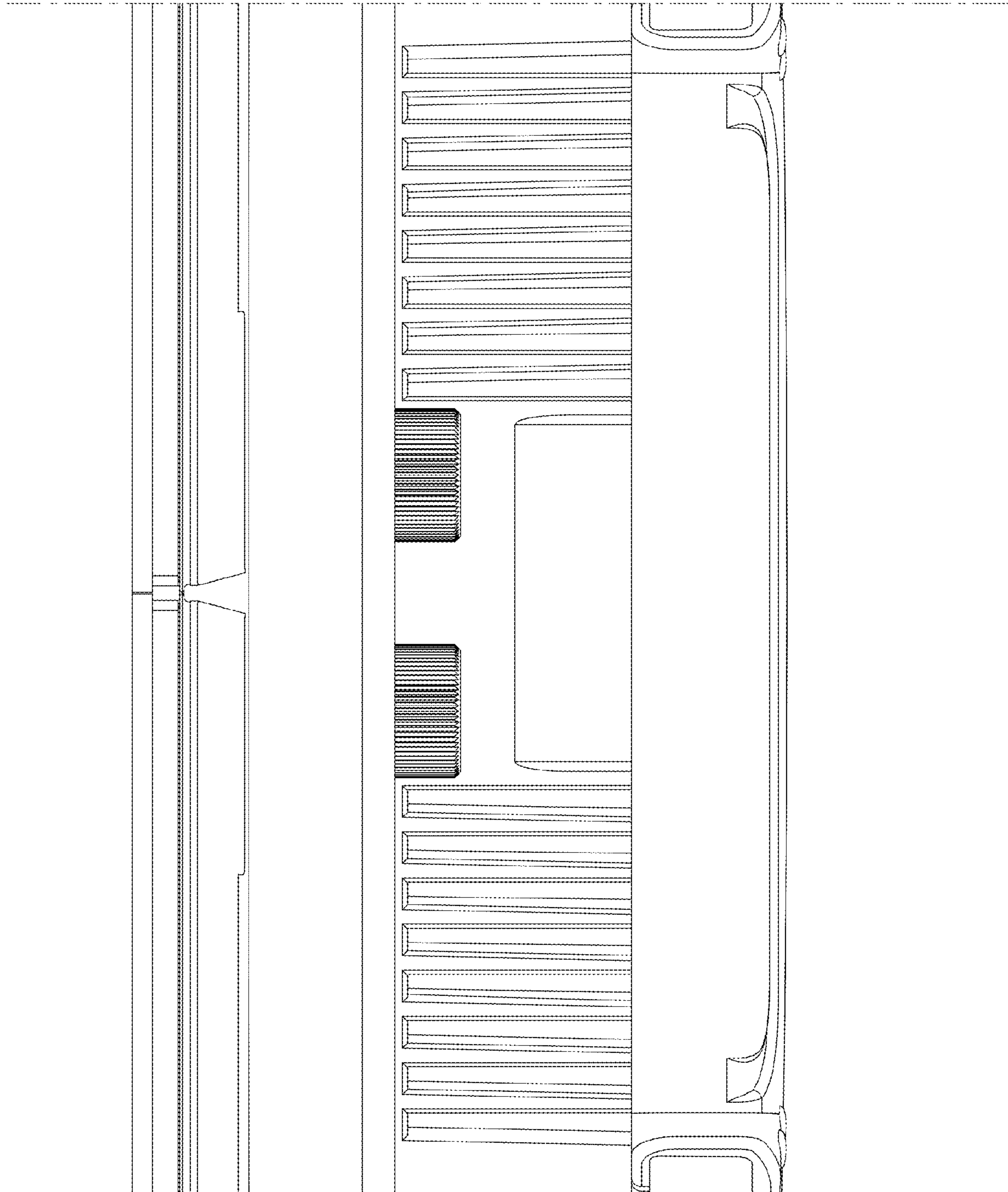


FIG. 13

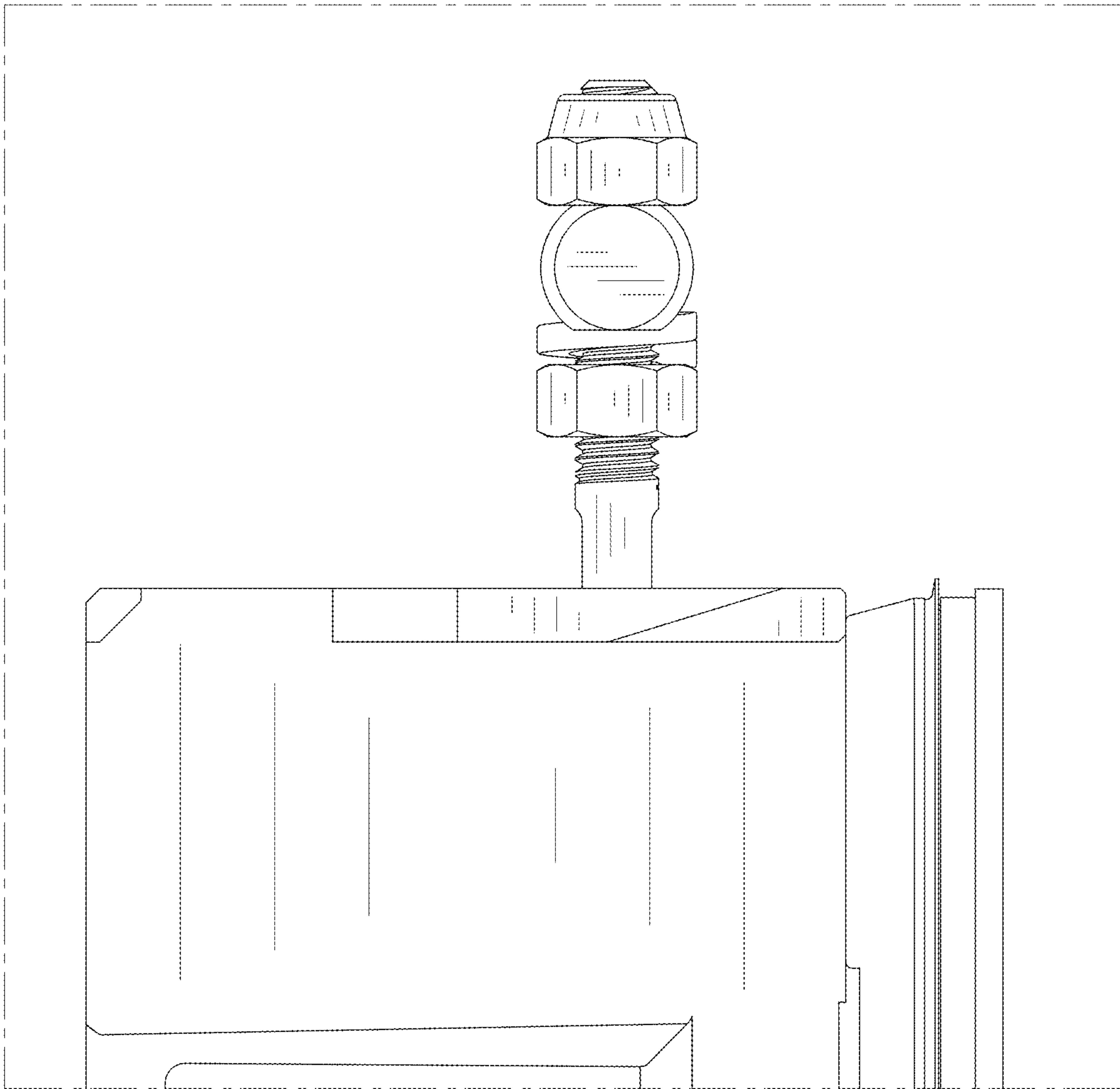


FIG. 14