



US00D955346S

(12) **United States Design Patent**
Levine et al.

(10) **Patent No.:** **US D955,346 S**
(45) **Date of Patent:** **** Jun. 21, 2022**

(54) **ELECTRONIC SIGNAL AMPLIFICATION DEVICE**

(71) Applicant: **X Development LLC**, Mountain View, CA (US)

(72) Inventors: **Gabriella Levine**, San Francisco, CA (US); **Haden Cory**, San Francisco, CA (US); **Matthew David Day**, Oakland, CA (US)

(73) Assignee: **X Development LLC**, Mountain View, CA (US)

(**) Term: **15 Years**

(21) Appl. No.: **29/679,094**

(22) Filed: **Feb. 1, 2019**

(51) **LOC (13) Cl.** **13-03**

(52) **U.S. Cl.**
USPC **D13/159**

(58) **Field of Classification Search**
USPC D13/107, 108, 110, 118, 119, 122, 123, D13/133, 146, 147, 154, 156, 158-160, D13/173, 177, 184, 199; D24/186
(Continued)

(56) **References Cited**

U.S. PATENT DOCUMENTS

D607,879 S * 1/2010 Ferber D14/217
D662,491 S * 6/2012 Andre D14/217
(Continued)

OTHER PUBLICATIONS

Sharing Project Amber with the mental health community, dated Nov. 2, 2020, [online], [site visited Sep. 23, 2021]. Available from Internet, URL: <https://blog.x.company/sharing-project-amber-with-the-mental-health-community-7b6d8814a862> (Year: 2020).*

Primary Examiner — Shawn T Gingrich

(74) *Attorney, Agent, or Firm* — Fish & Richardson P.C.

(57) **CLAIM**

The ornamental design for an electronic signal amplification device, substantially as shown and described.

DESCRIPTION

FIG. 1 is a perspective view of an electronic signal amplification device with an adaptor unit attached to a top surface of the electronic device.

FIG. 2 is a front view of FIG. 1.

FIG. 3 is a rear view of FIG. 1.

FIG. 4 is a left side view of FIG. 1.

FIG. 5 is a right side view of FIG. 1.

FIG. 6 is a top view of FIG. 1.

FIG. 7 is a bottom view of FIG. 1.

FIG. 8 is a perspective view of the electronic signal amplification device without the adaptor unit attached.

FIG. 9 is a front view of FIG. 8.

FIG. 10 is a rear view of FIG. 8.

FIG. 11 is a left side view of FIG. 8.

FIG. 12 is a right side view of FIG. 8.

FIG. 13 is a top view of FIG. 8.

FIG. 14 is a bottom view of FIG. 8.

FIG. 15 is a perspective view of the electronic signal amplification device without the base unit attached.

FIG. 16 is a front view of FIG. 15.

FIG. 17 is a rear view of FIG. 15.

FIG. 18 is a left side view of FIG. 15.

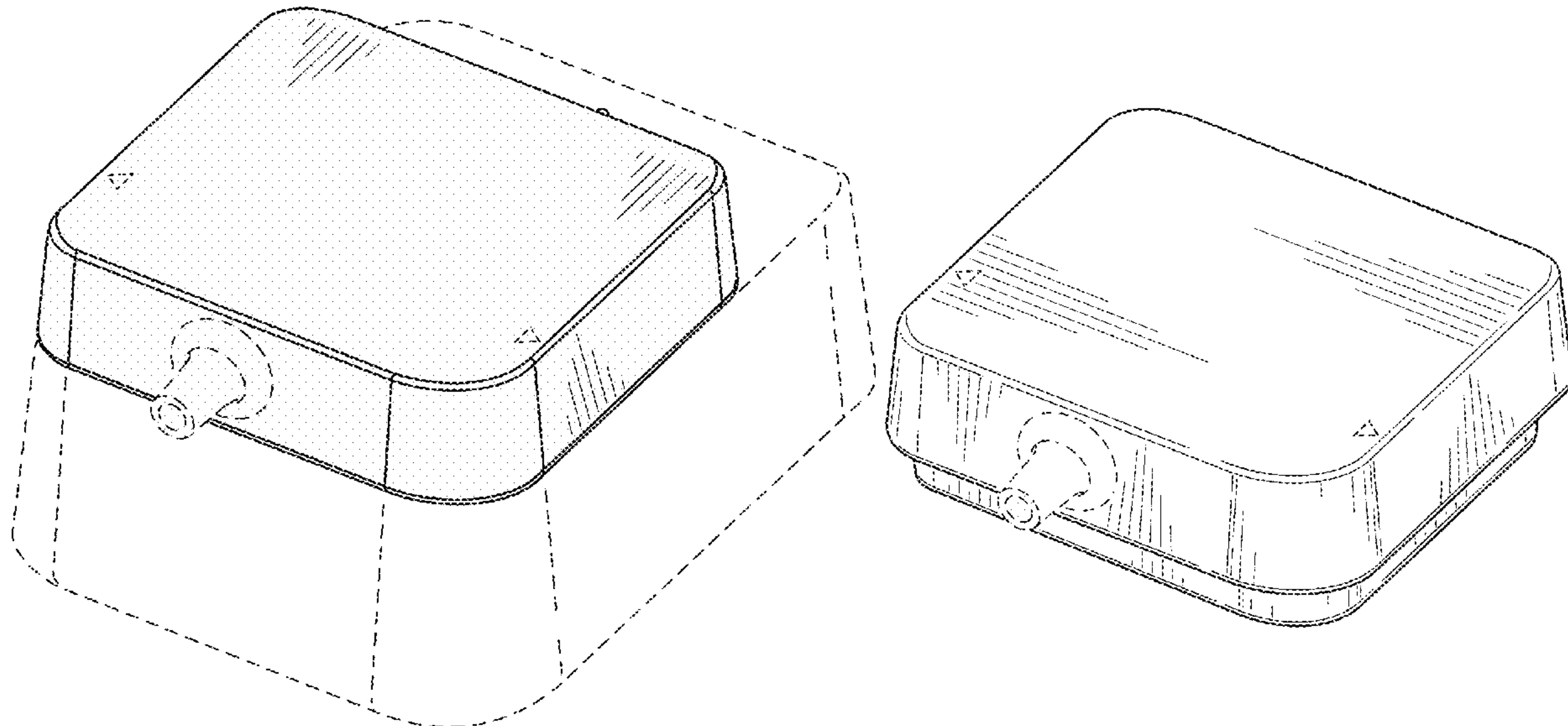
FIG. 19 is a right side view of FIG. 15.

FIG. 20 is a top view of FIG. 15; and,

FIG. 21 is a bottom view of FIG. 15.

The broken lines in each figure illustrate features that form no part of the claimed design. The base unit of the electronic signal amplification device (FIGS. 1-14) is represented in broken lines and forms no part of the claimed design.

1 Claim, 12 Drawing Sheets



(58) **Field of Classification Search**

CPC ... G06F 1/00; G06F 1/16; G06F 12/10; G06F
3/01; G06F 17/00; G06F 19/00; H01R
24/64; H02G 3/083; H02H 9/00; H02J
4/00; H04L 25/02; A61B 5/00; A61B
5/04; A61B 5/0478; A61B 5/048

See application file for complete search history.

(56) **References Cited**

U.S. PATENT DOCUMENTS

D765,140	S	*	8/2016	Peng	D14/496
D769,366	S	*	10/2016	Hiraguchi	D18/12.1
D798,339	S	*	9/2017	Yang	D14/496
D815,070	S	*	4/2018	Elmieh	D14/225
D859,195	S	*	9/2019	Kristensson	D10/106.1
D866,463	S	*	11/2019	Hui	D13/110
D902,853	S	*	11/2020	Lin	D13/108
D907,602	S	*	1/2021	Iwahori	D14/217
D913,265	S	*	3/2021	Cueto	D14/240
D919,818	S	*	5/2021	Levine	D24/186

* cited by examiner

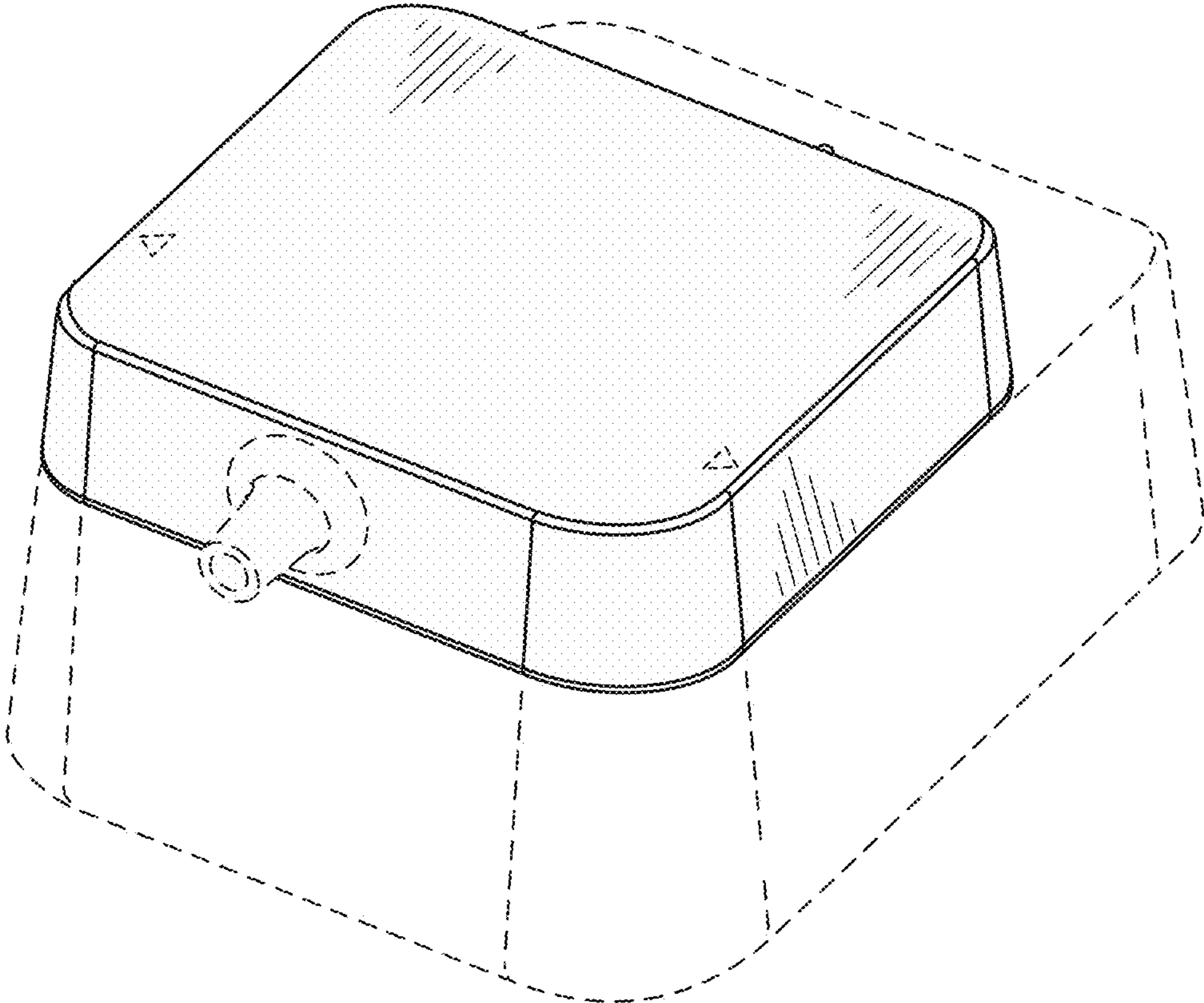


FIG. 1

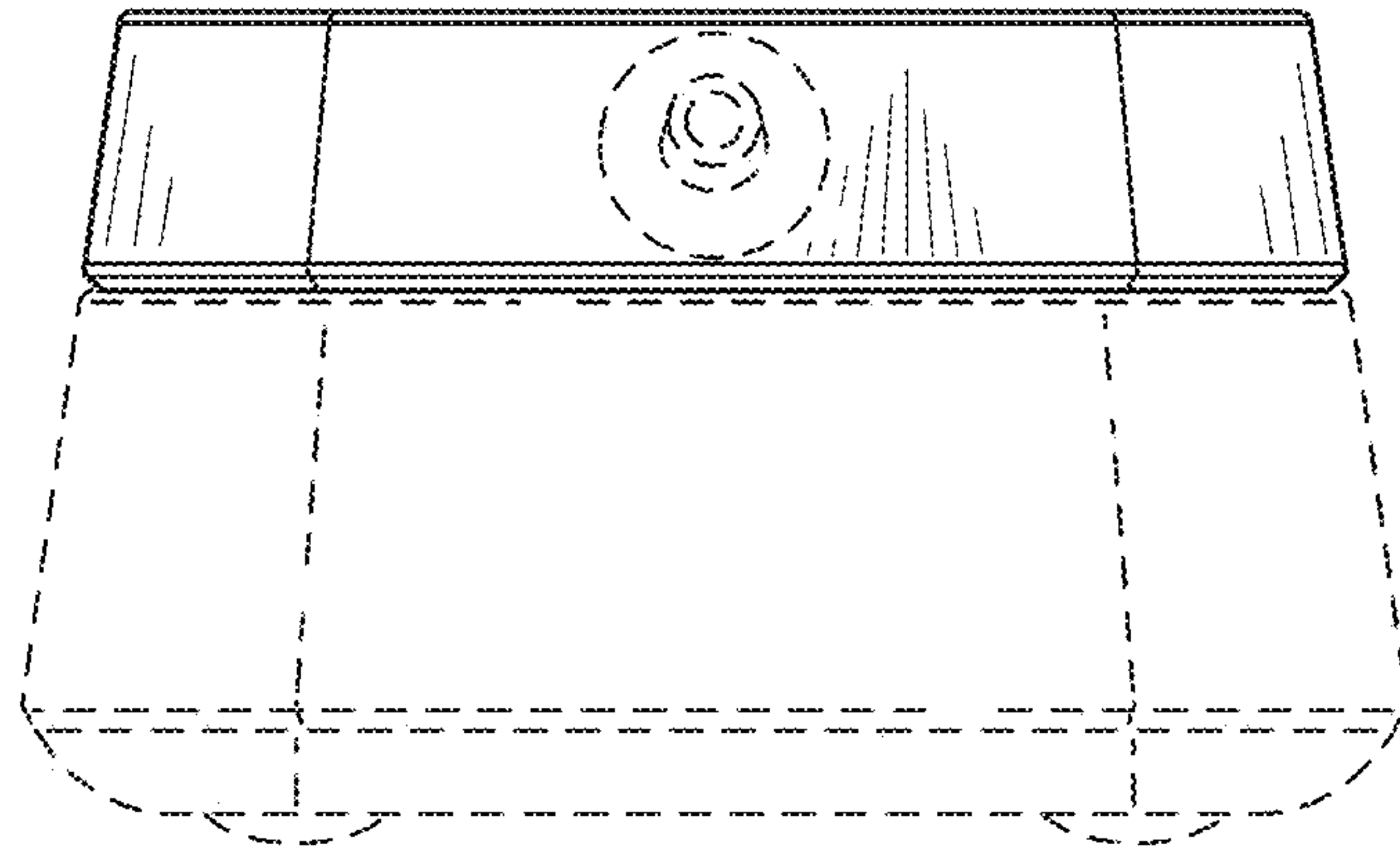


FIG. 2

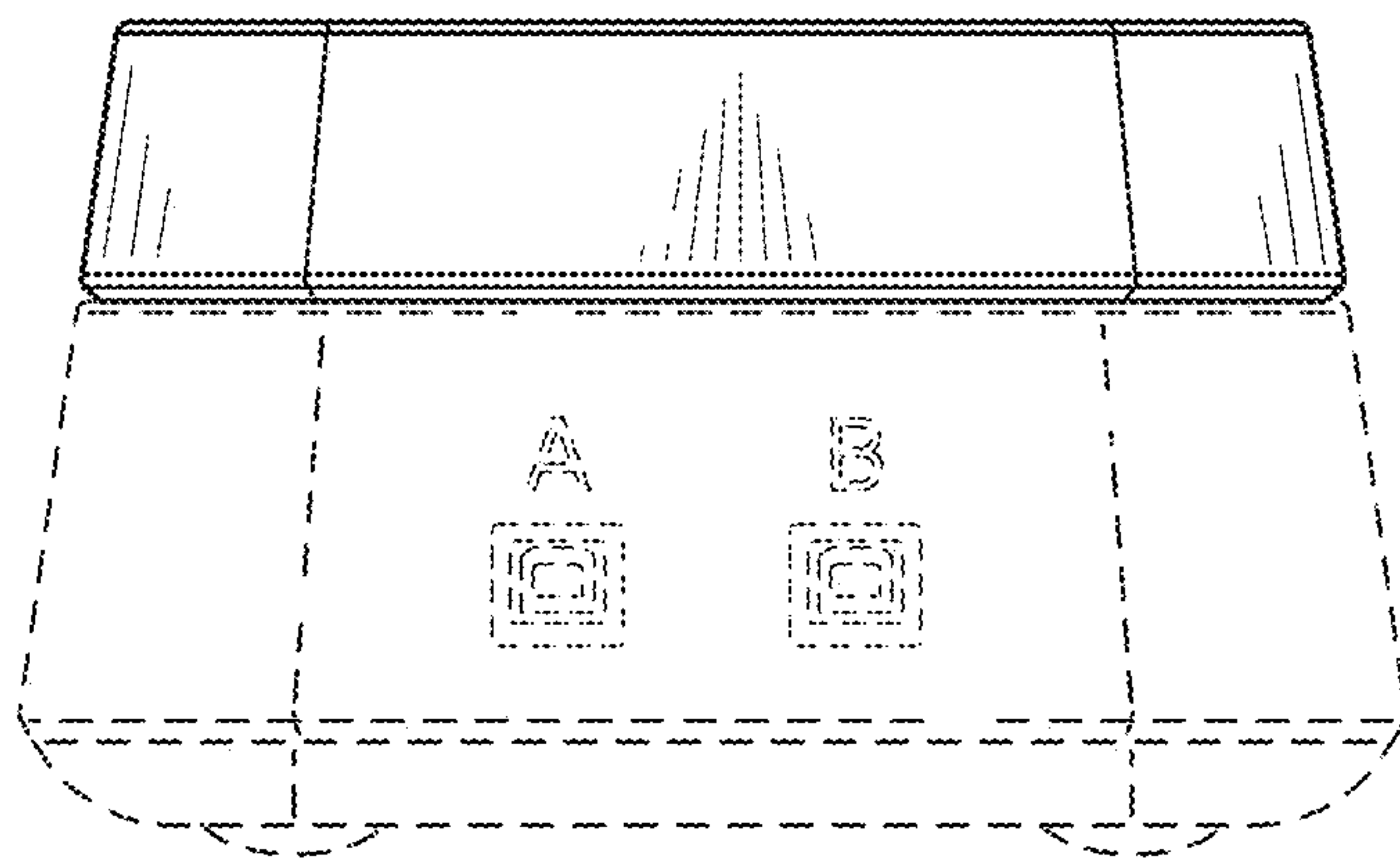


FIG. 3

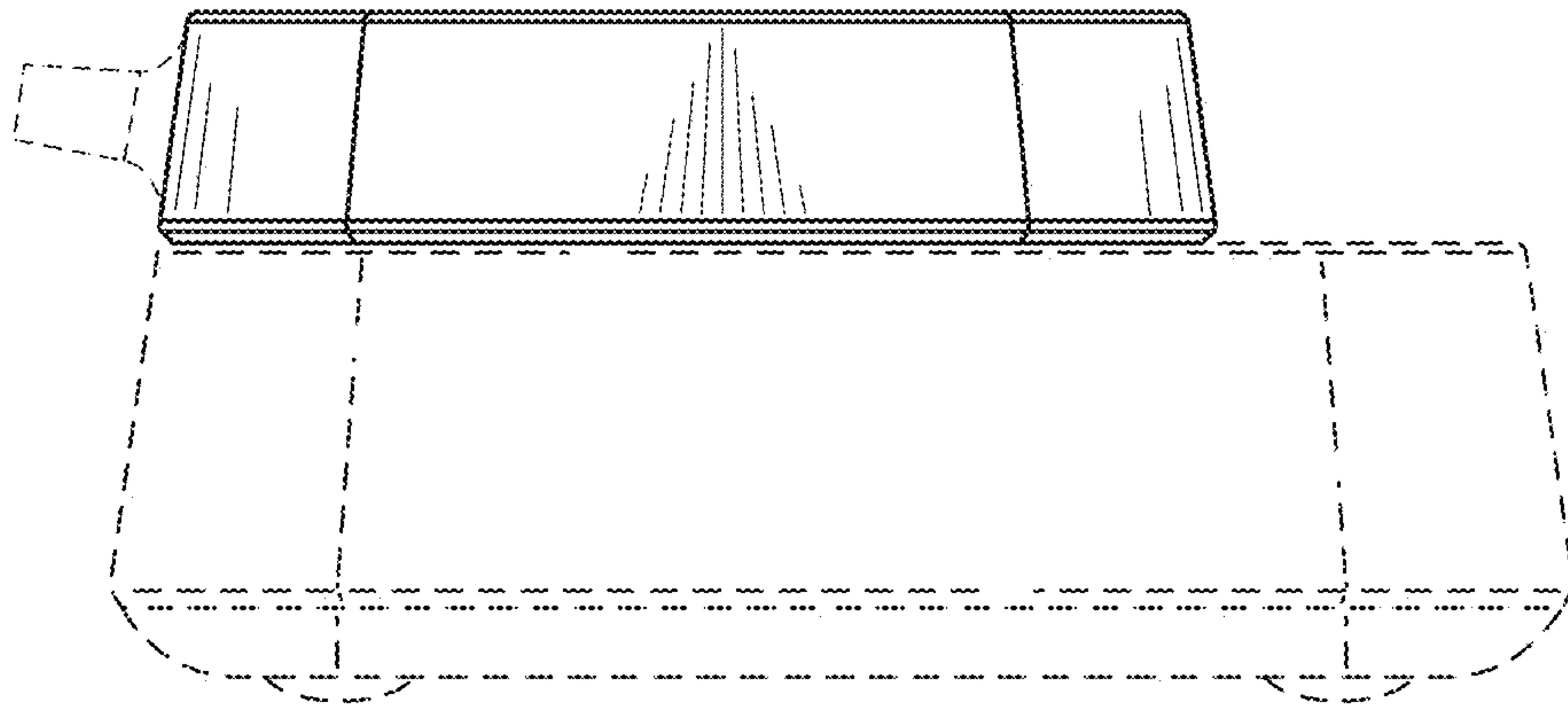


FIG. 4

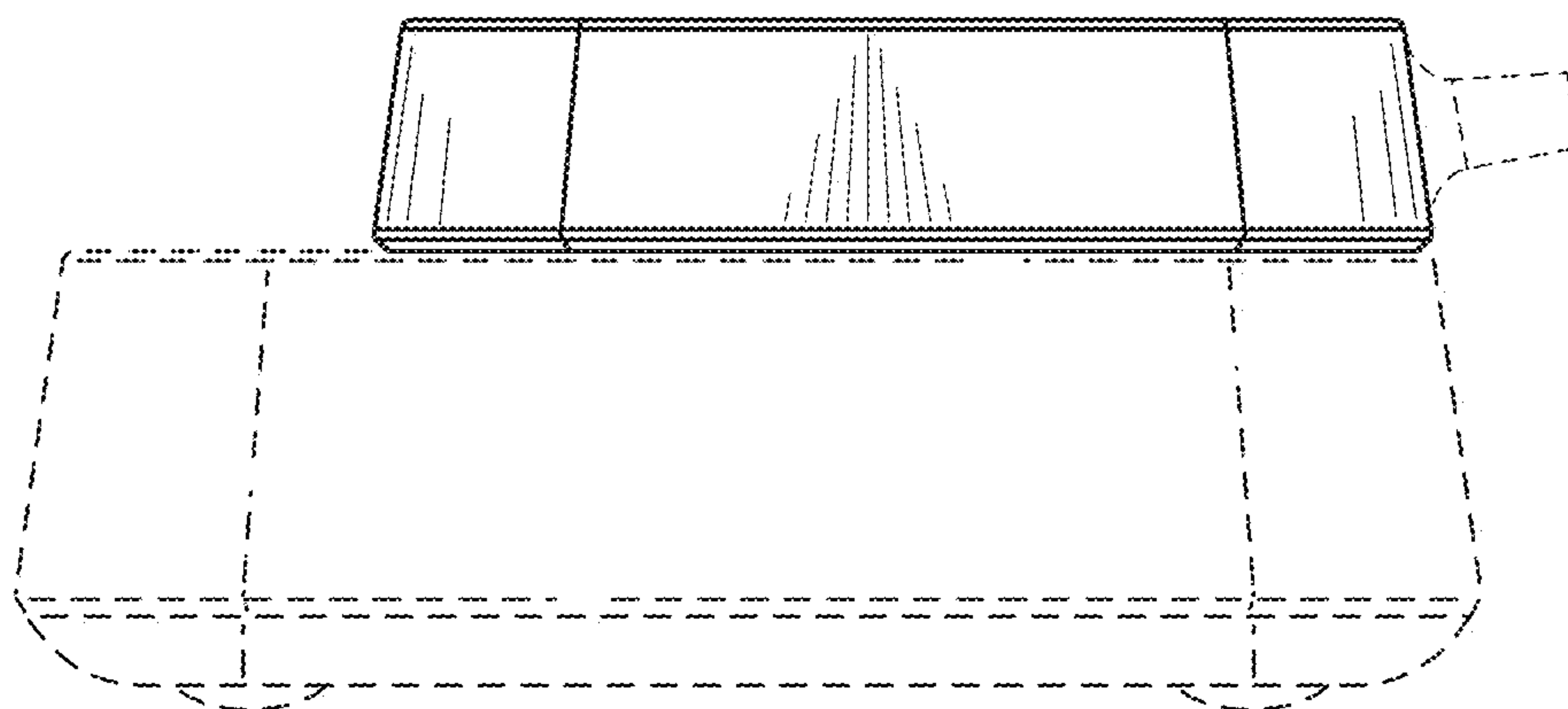


FIG. 5

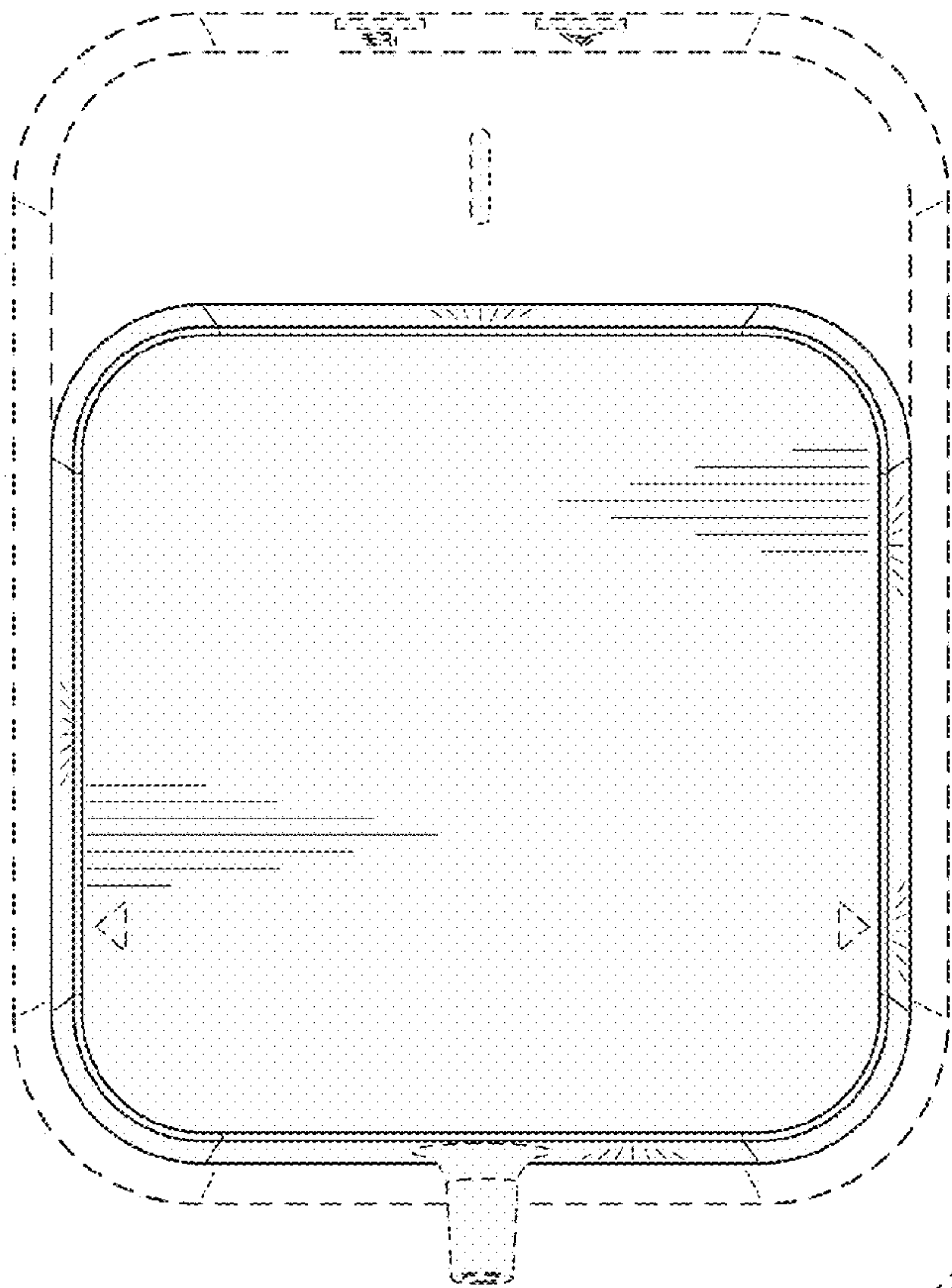


FIG. 6

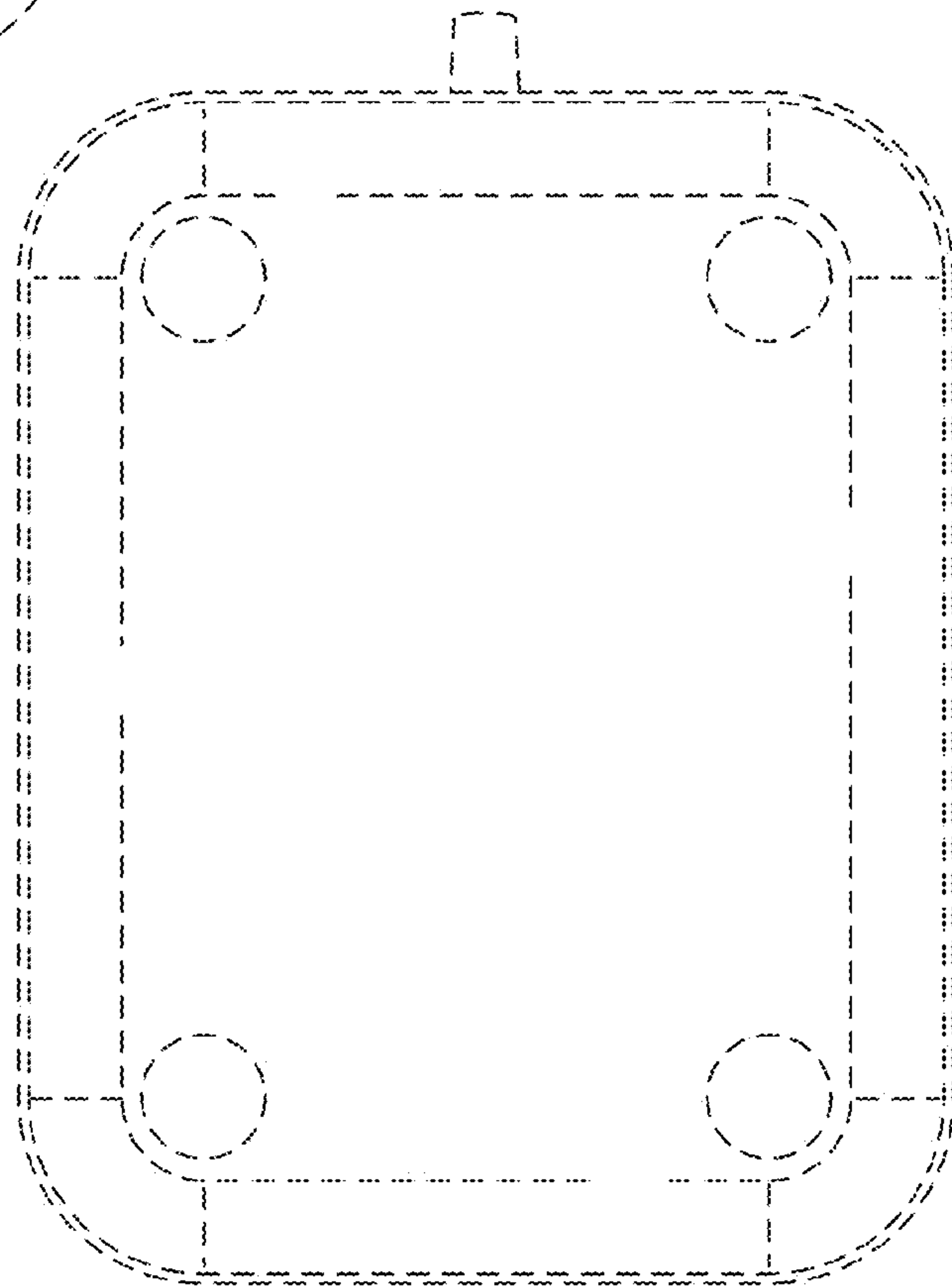


FIG. 7

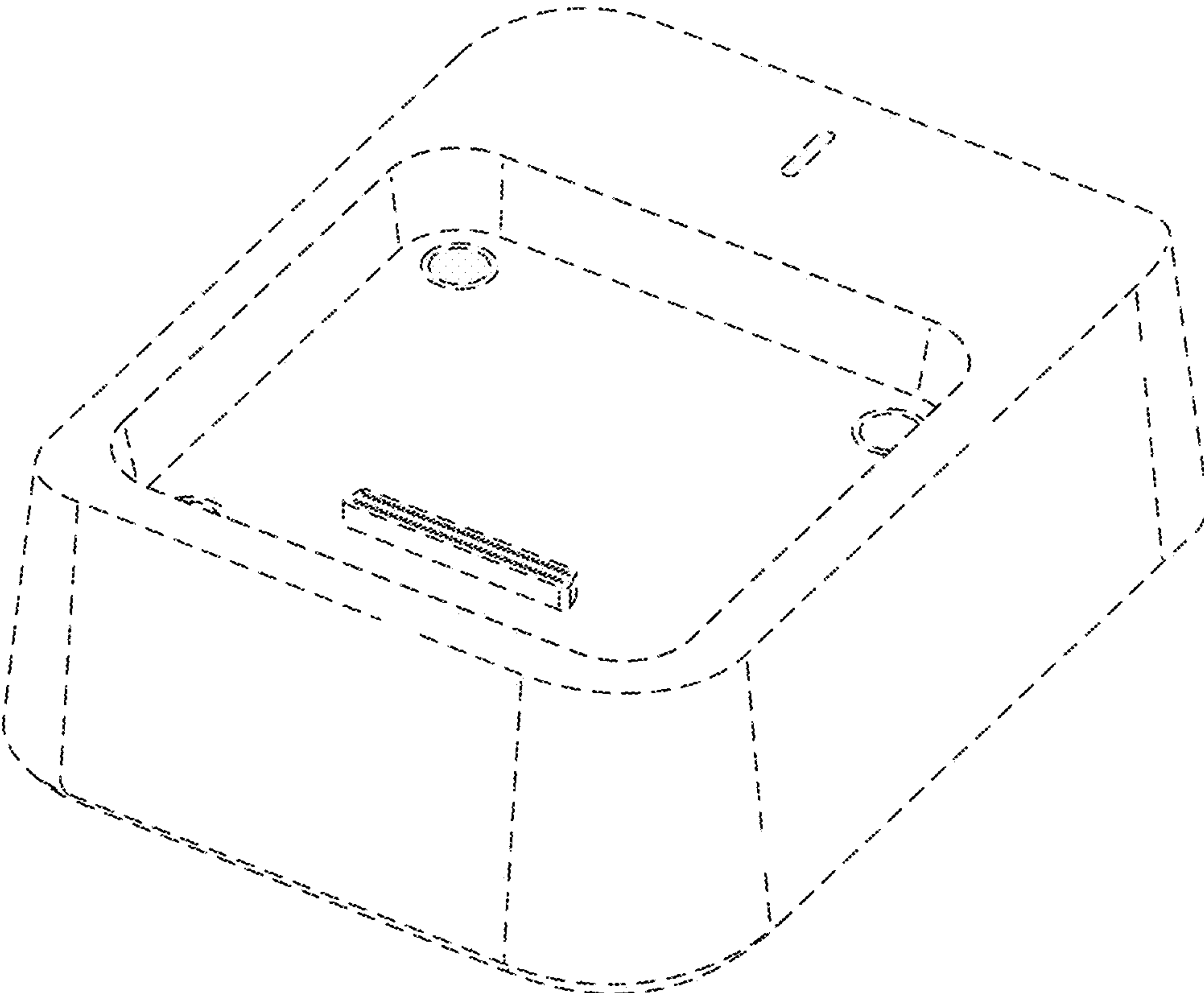


FIG. 8

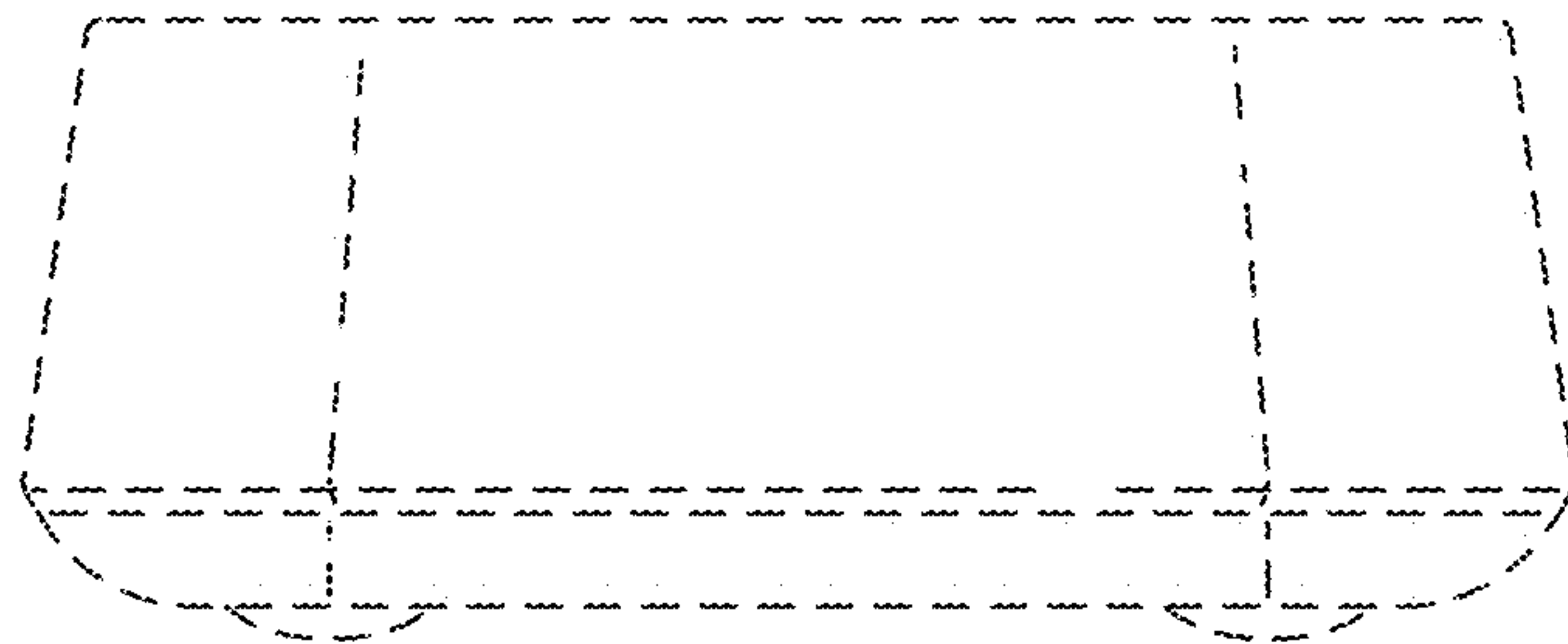


FIG. 9

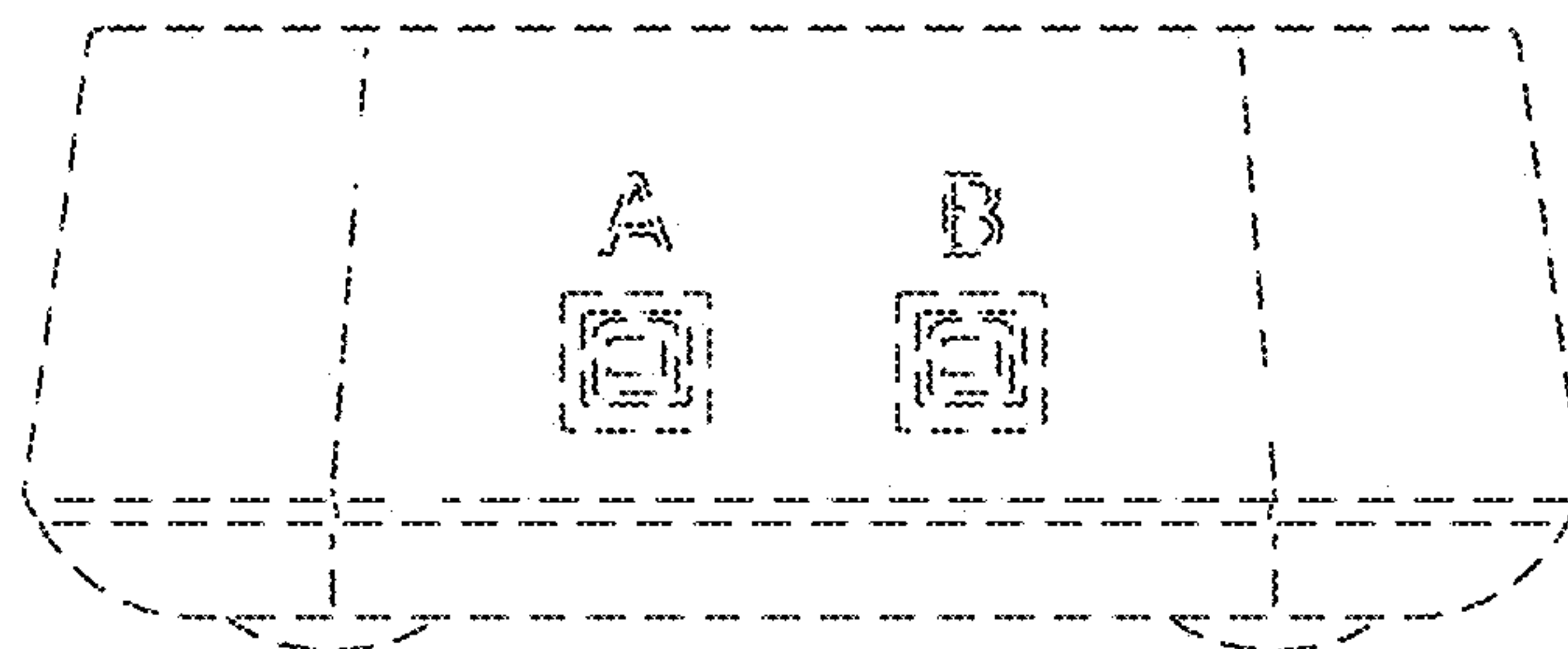


FIG. 10

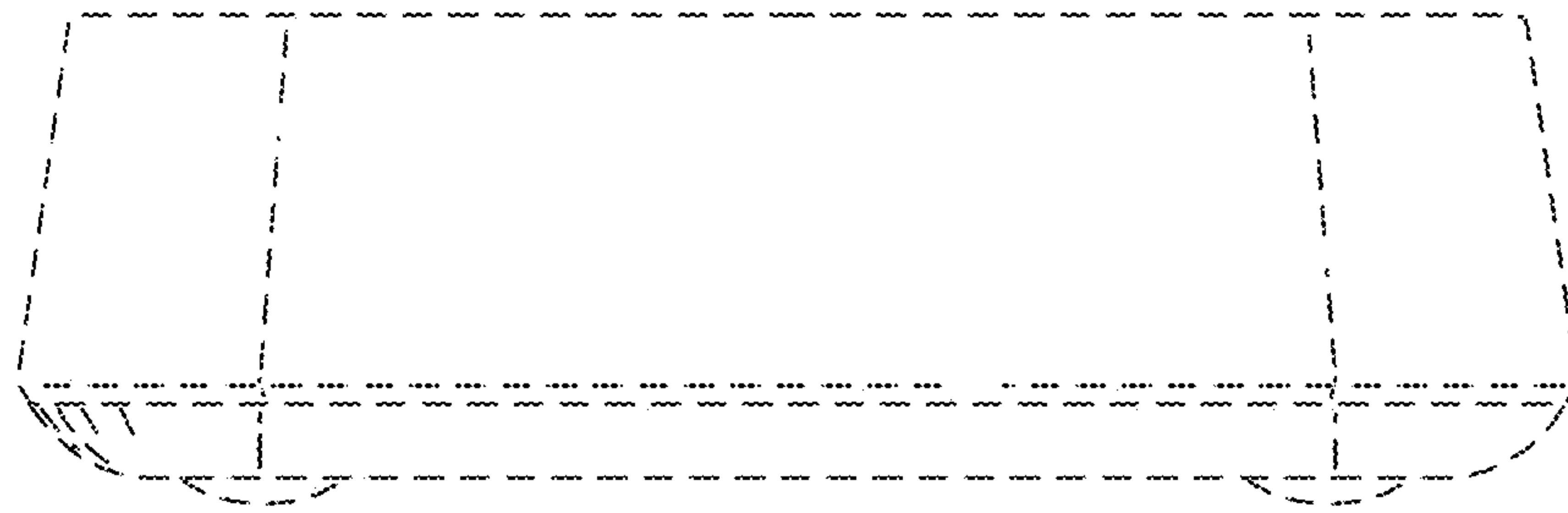


FIG. 11

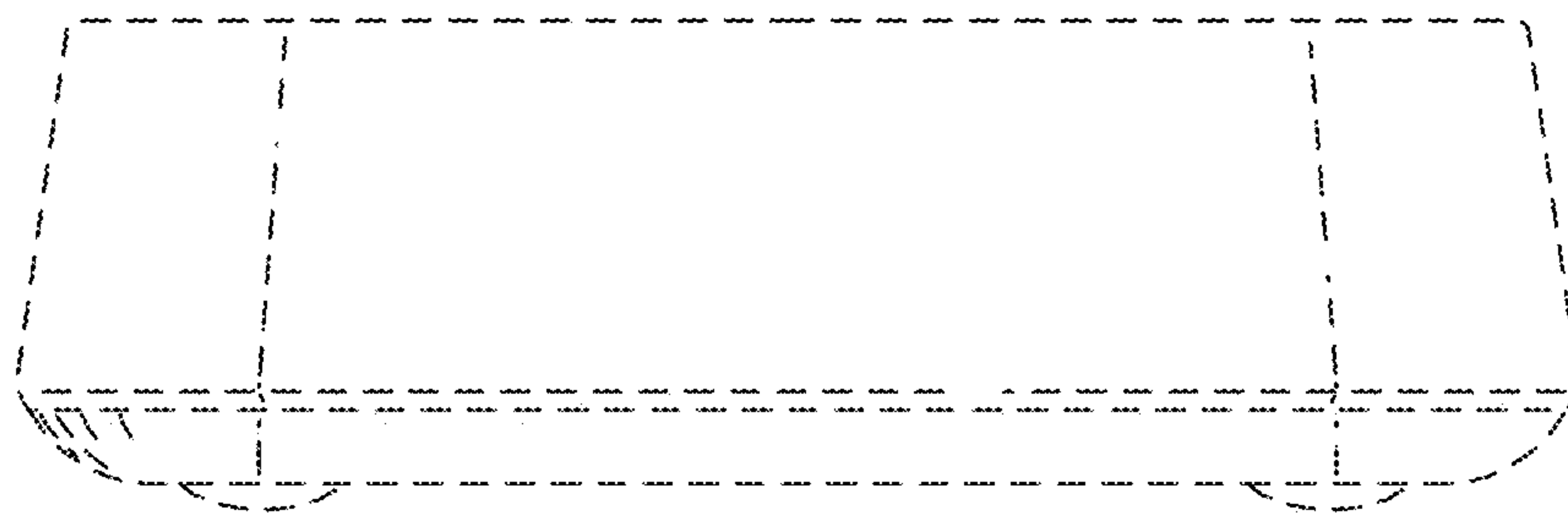


FIG. 12

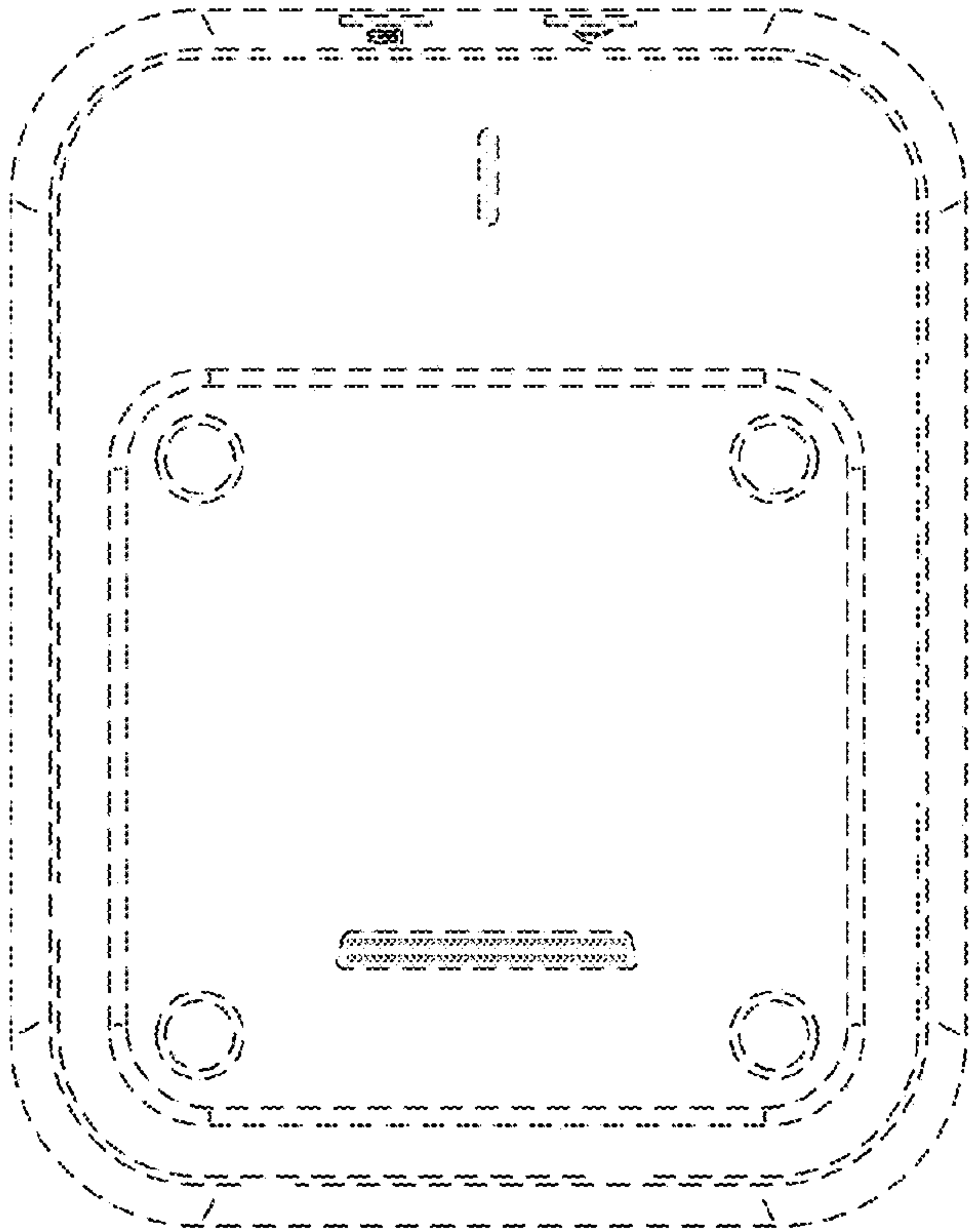


FIG. 13

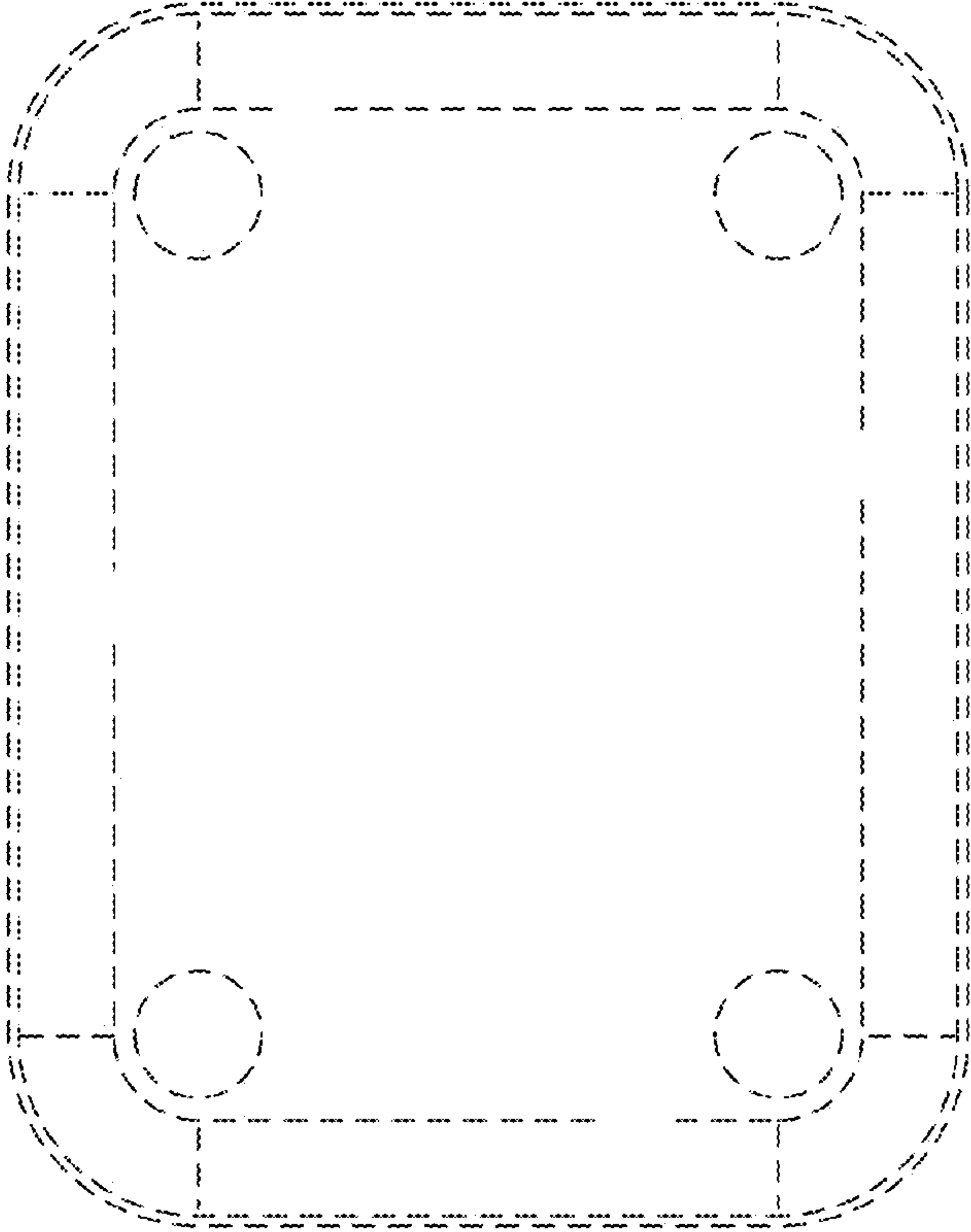


FIG. 14

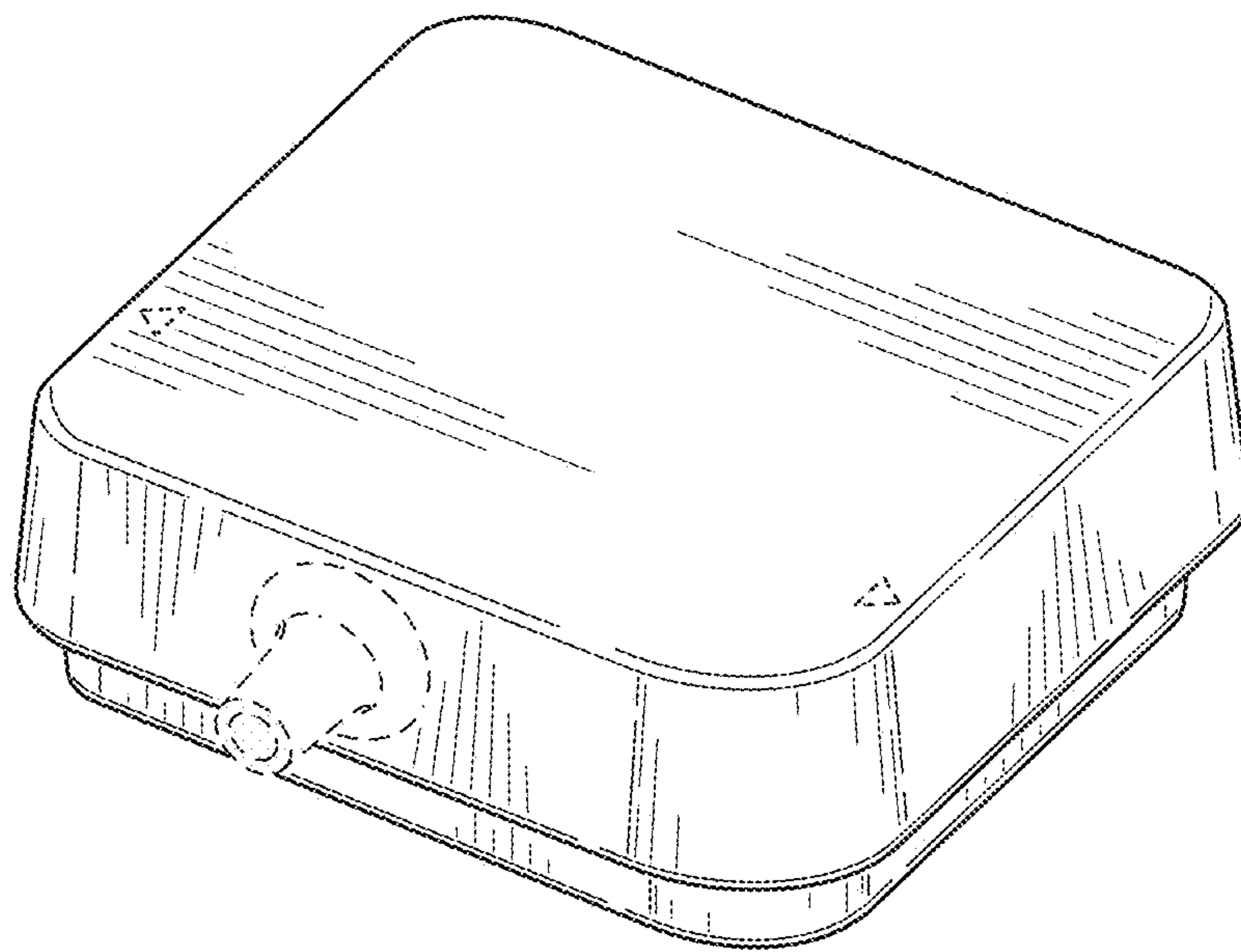


FIG. 15

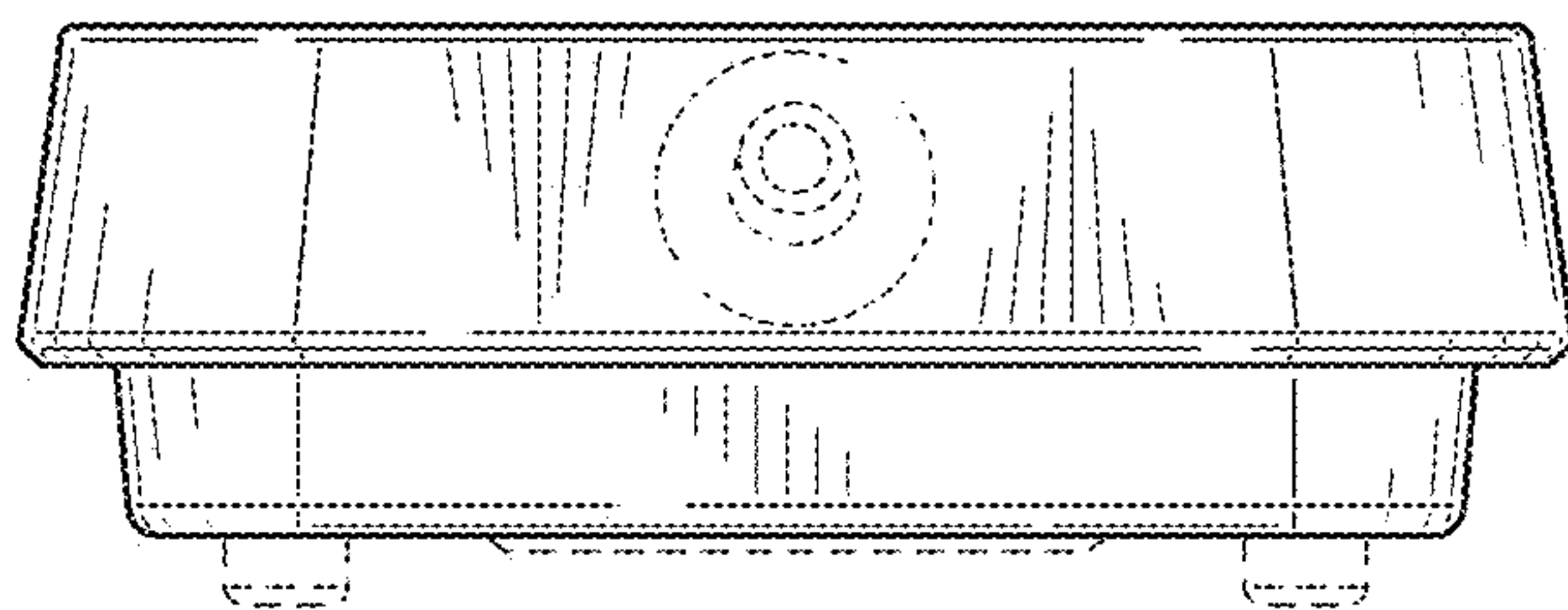


FIG. 16

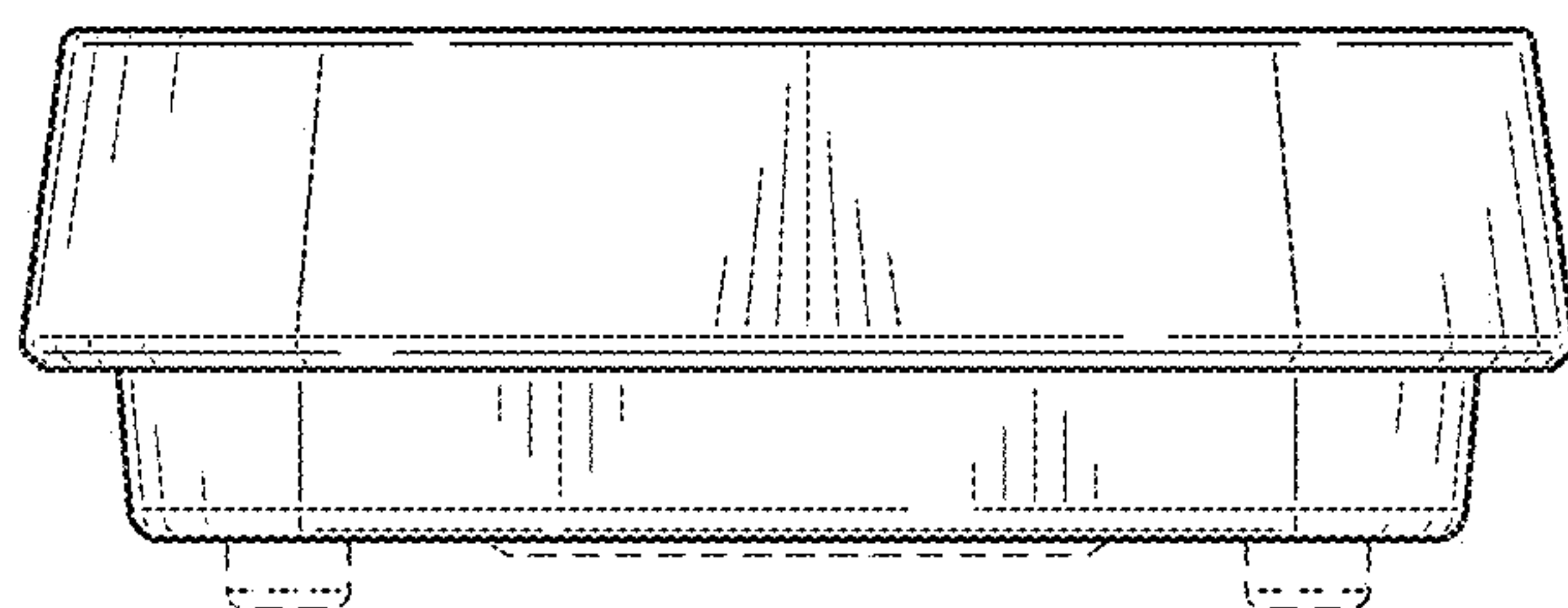


FIG. 17

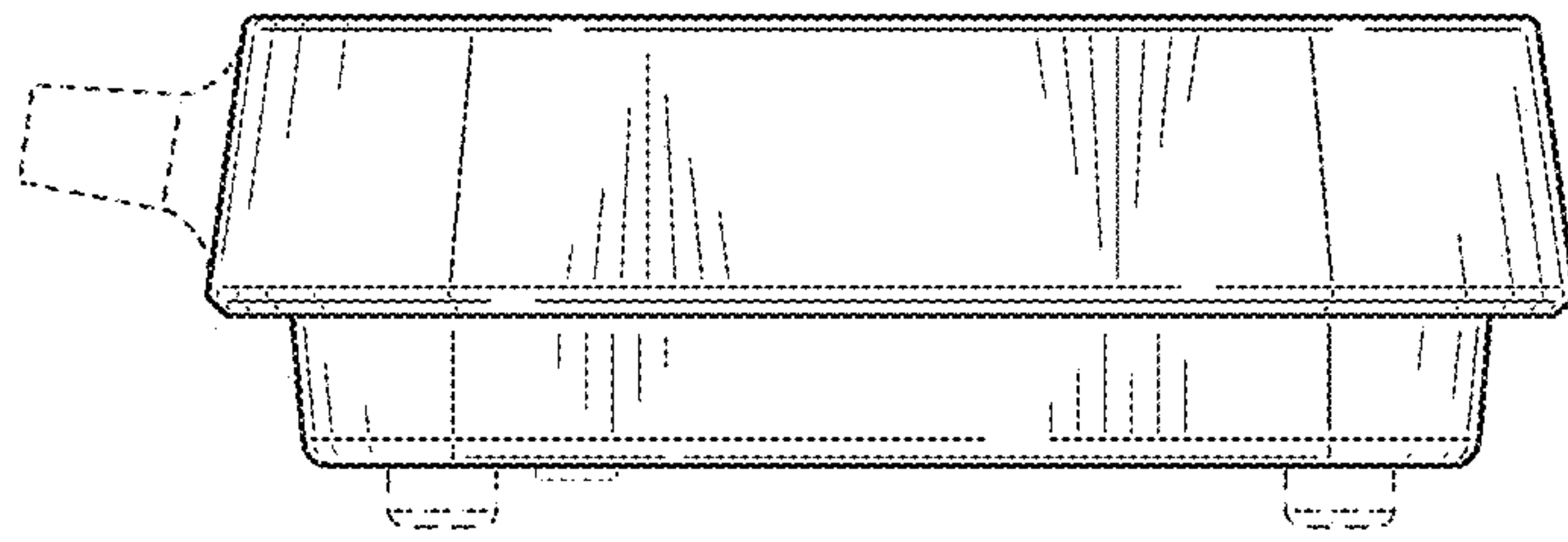


FIG. 18

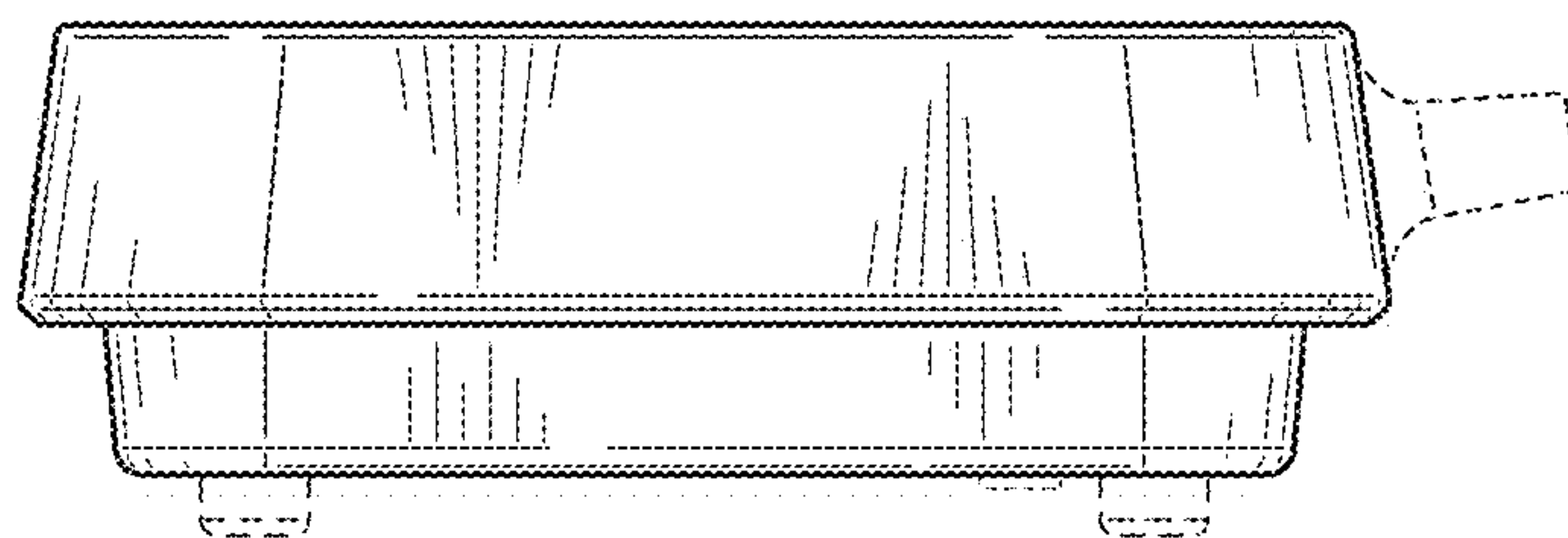


FIG. 19

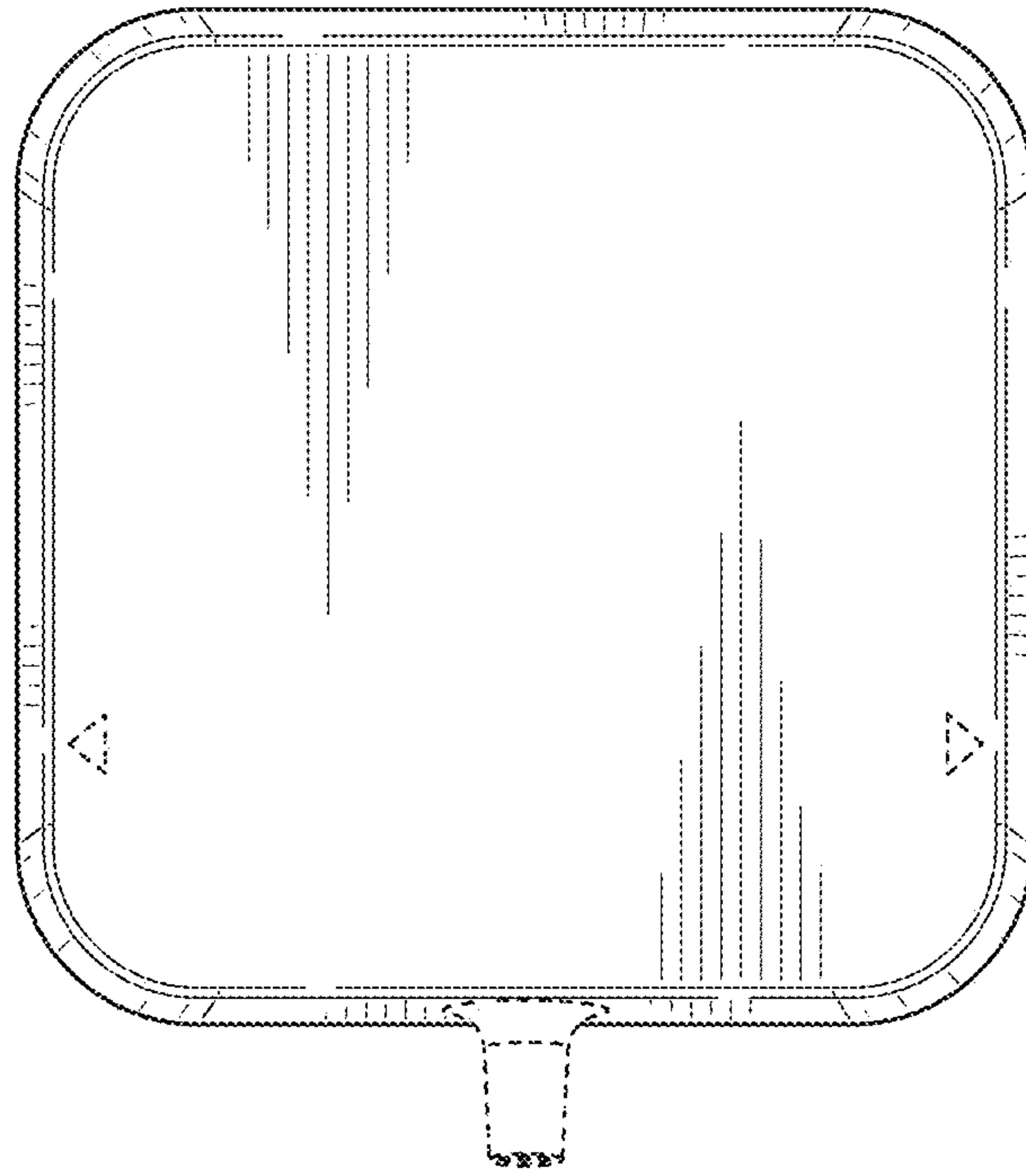


FIG. 20

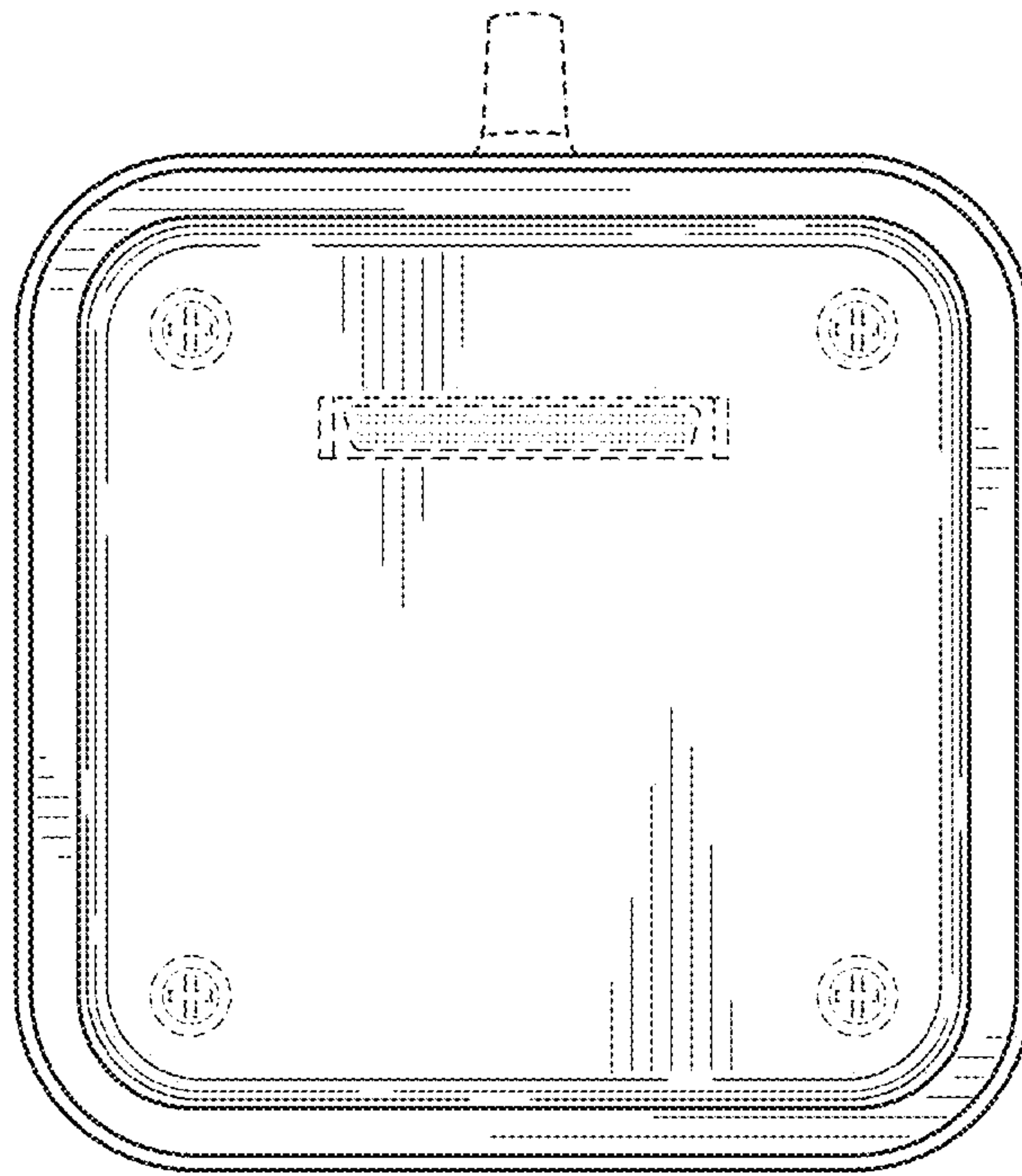


FIG. 21