



US00D955345S

(12) **United States Design Patent**
Trinh

(10) **Patent No.:** **US D955,345 S**

(45) **Date of Patent:** **** Jun. 21, 2022**

(54) **CABLE HEAD**

(71) Applicant: **Cam Khon Trinh**, San Jose, CA (US)

(72) Inventor: **Cam Khon Trinh**, San Jose, CA (US)

(**) Term: **15 Years**

(21) Appl. No.: **29/806,877**

(22) Filed: **Sep. 7, 2021**

Related U.S. Application Data

(63) Continuation-in-part of application No. 29/714,586, filed on Nov. 25, 2019, now abandoned.

(51) **LOC (13) Cl.** **13-03**

(52) **U.S. Cl.**
USPC **D13/156; D14/433**

(58) **Field of Classification Search**
USPC D13/103, 104, 107, 108, 118, 119, 120,
D13/121, 122, 133, 146, 153, 154, 156,
D13/184, 199; D14/432, 433, 434, 439
CPC H01R 29/00; H01R 13/62; H02J 7/00047
See application file for complete search history.

(56) **References Cited**

U.S. PATENT DOCUMENTS

D507,540 S	7/2005	Suckle	
D520,457 S	5/2006	Wada	
D531,581 S	11/2006	Wang	
D563,899 S	3/2008	Goetz	
D588,995 S	3/2009	Wu	
D597,494 S *	8/2009	Brefka	D13/156
D598,865 S *	8/2009	Hwang	D13/156
D604,251 S	11/2009	Hwang	
D611,412 S *	3/2010	DeSorbo	D13/119
D630,592 S *	1/2011	Matsuoka	D13/154
D631,883 S *	2/2011	Maier	D14/435.1
D675,575 S *	2/2013	Izen	D13/147

D675,990 S *	2/2013	Sculler	D13/147
10,483,704 B1 *	11/2019	Solland	H01R 29/00
D883,215 S *	5/2020	Wang	D13/133
D889,472 S *	7/2020	Laine	D14/433
D934,253 S *	10/2021	Lee	D14/433
2017/0207582 A1 *	7/2017	Hsu	H01R 24/60
2019/0020150 A1 *	1/2019	Whitehead	H01R 13/639

OTHER PUBLICATIONS

“Amazon Basics Coupler Adapter”. Found online Feb. 8, 2022 at us.amazon.com. Reference dated Jun. 15, 2017. Retrieved from https://us.amazon.com/dp/B06XR9PR5X/ref=vp_d_pb_TIER4_p13sess_lp_B00CAUZN82_pd. (Year: 2017).*
“VCE HDMI Coupler”. Found online Feb. 8, 2022 at amazon.com. Reference dated Jan. 17, 2017. Retrieved from https://www.amazon.com/dp/B01NBVJO9U/ref=sspa_dk_detail_5. (Year: 2017).*

(Continued)

Primary Examiner — Kendra Leslie Hamilton

Assistant Examiner — Amanda Christensen

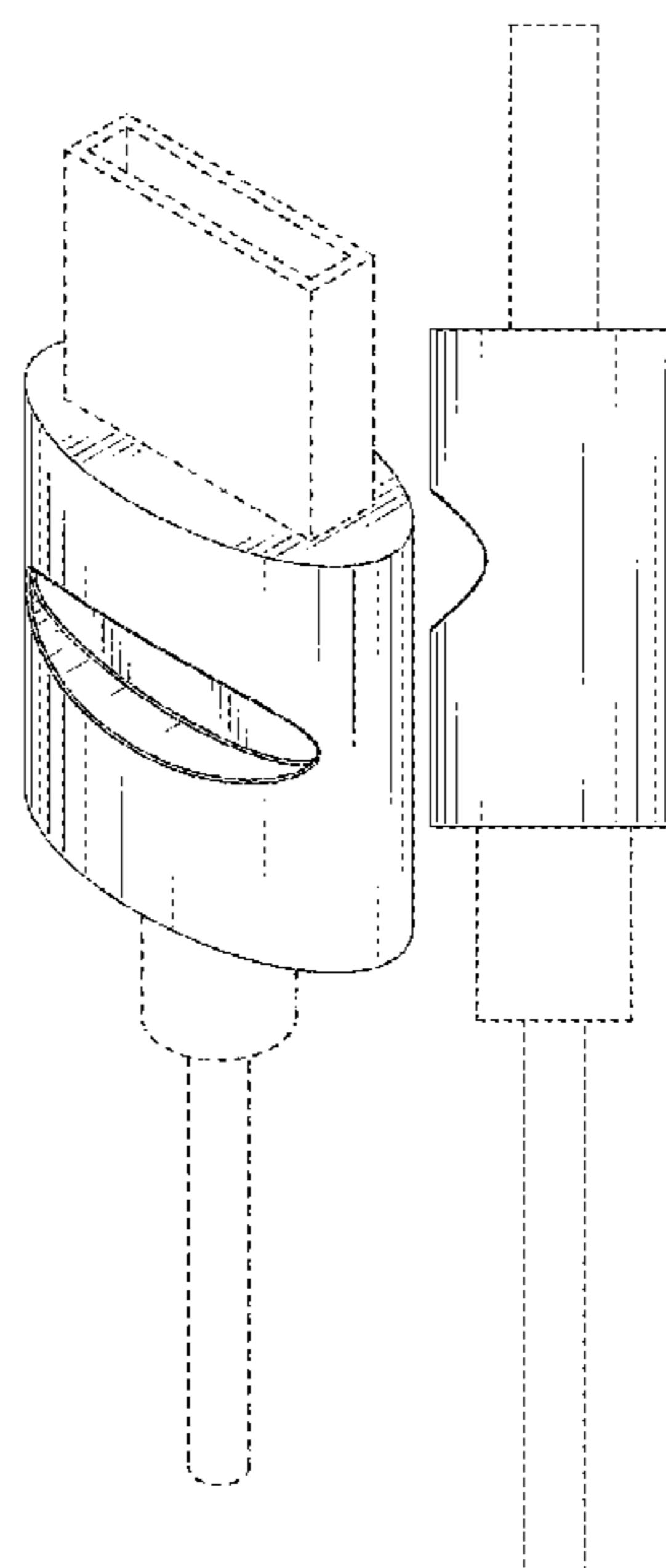
(57) **CLAIM**

The ornamental design for a cable head, as shown and described.

DESCRIPTION

FIG. 1 is a top, front perspective view of a cable head, showing my new design;
FIG. 2 is a front elevational view thereof;
FIG. 3 is a right elevation view thereof;
FIG. 4 is a rear elevation view thereof;
FIG. 5 is a left elevational view thereof;
FIG. 6 is a top plan view thereof; and,
FIG. 7 is a bottom plan view thereof.
The broken lines showing the connector and cable in FIGS. 1-7 are included for the purpose of showing environmental structure and form no part of the claimed design.

1 Claim, 7 Drawing Sheets



(56)

References Cited

OTHER PUBLICATIONS

“UGREEN Cable”. Found online Feb. 8, 2022 at amazon.com. Reference dated Oct. 30, 2014. Retrieved from https://www.amazon.com/UGREEN-Printer-Scanner-Brother-Lexmark/dp/B00P0FO1P0/ref=asc_df_B00P0FO1P0/?th=1. (Year: 2014).*

* cited by examiner

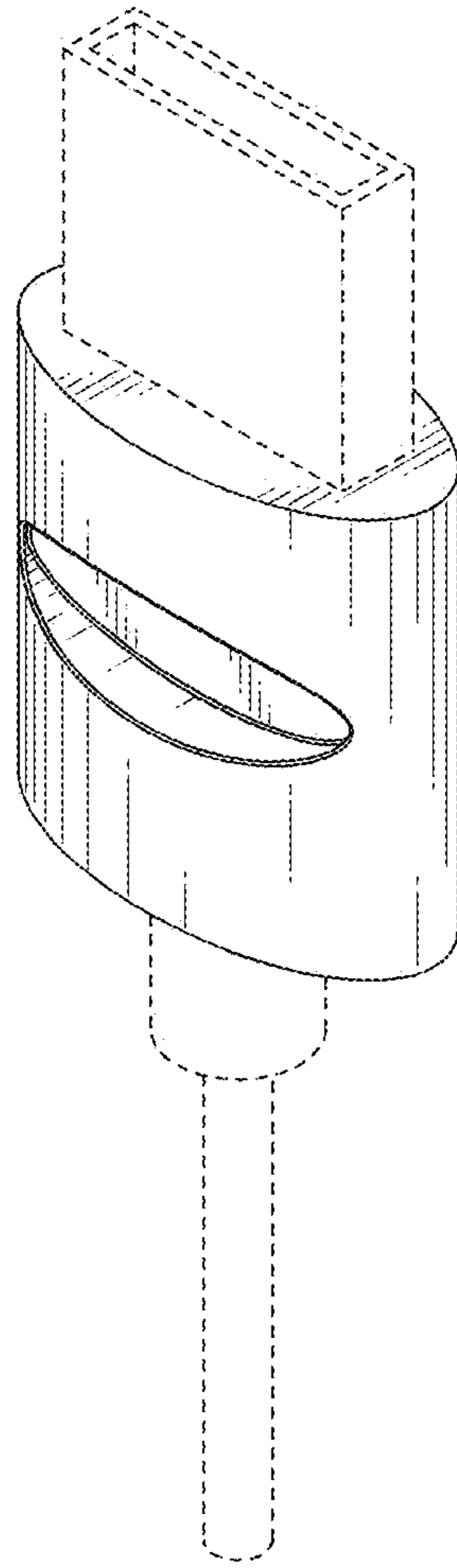


FIG. 1

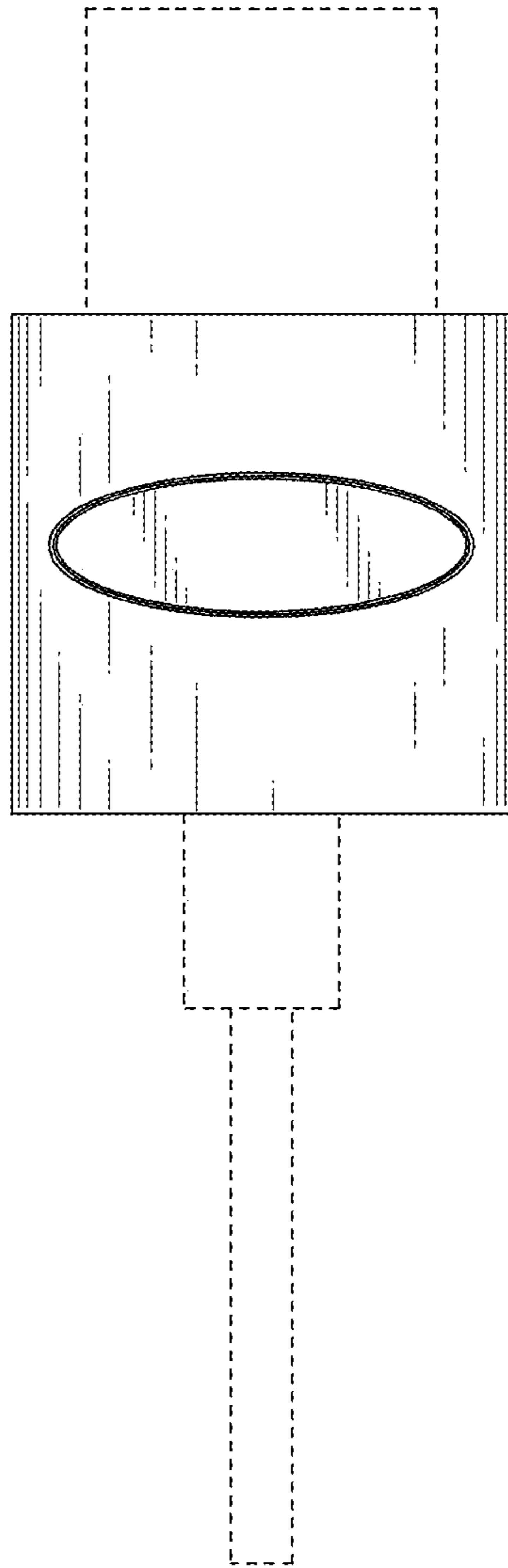


FIG. 2

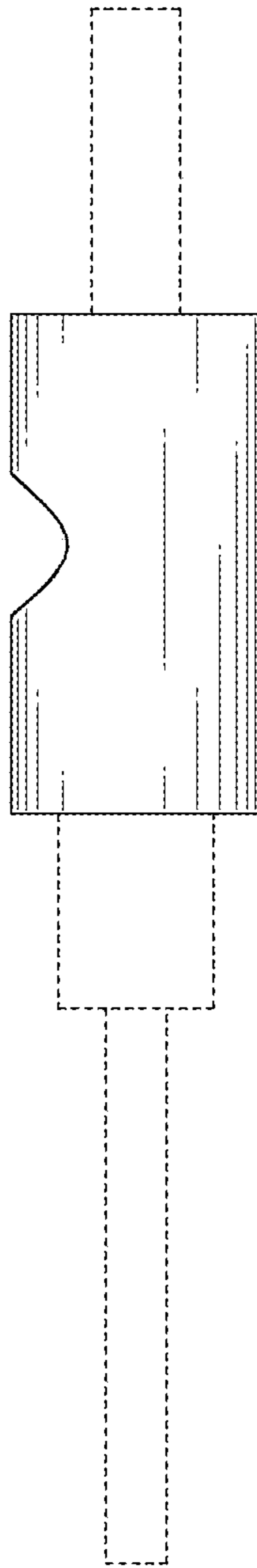


FIG. 3

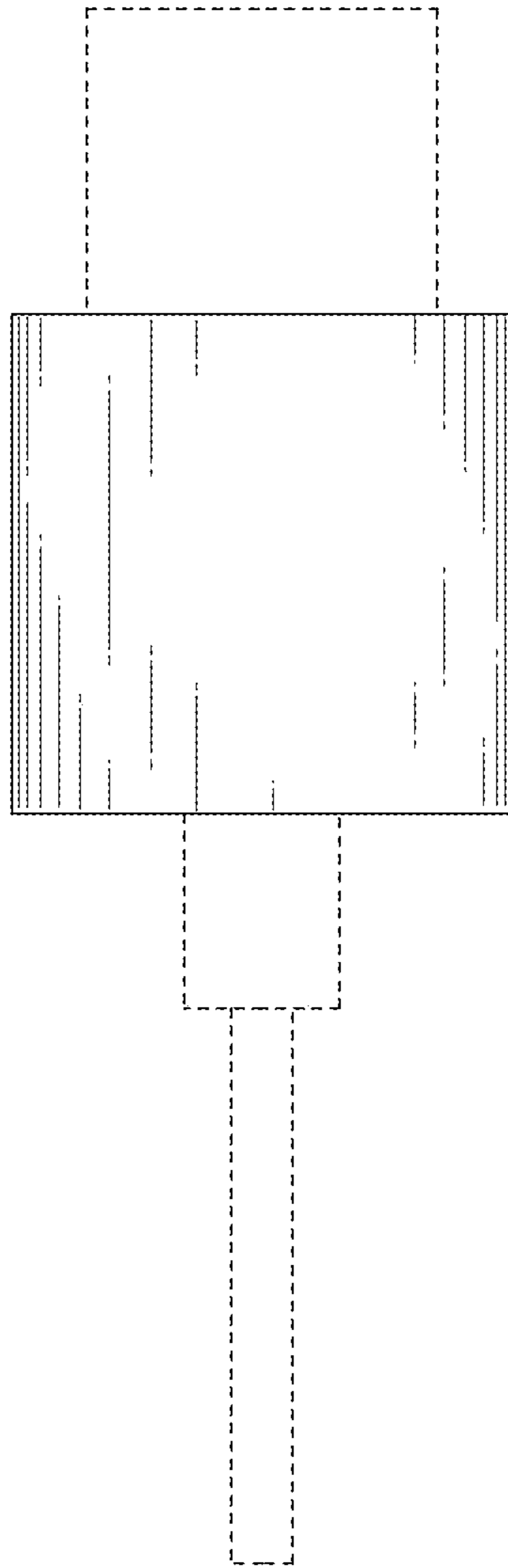


FIG. 4

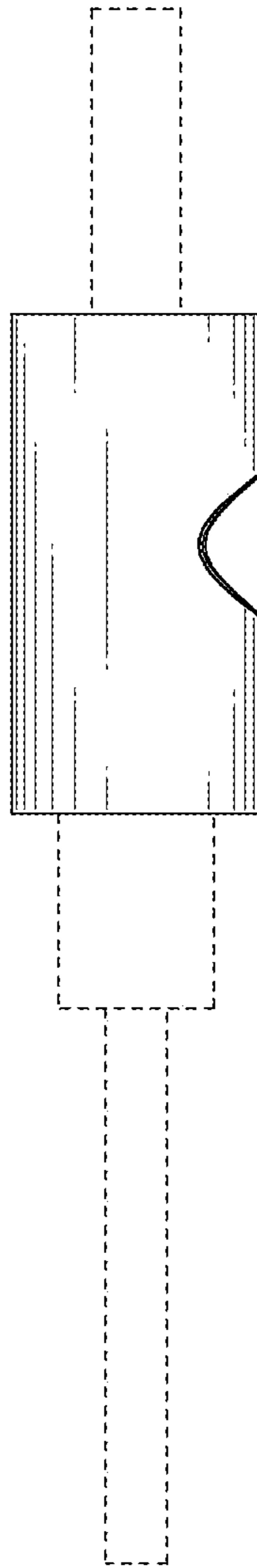


FIG. 5

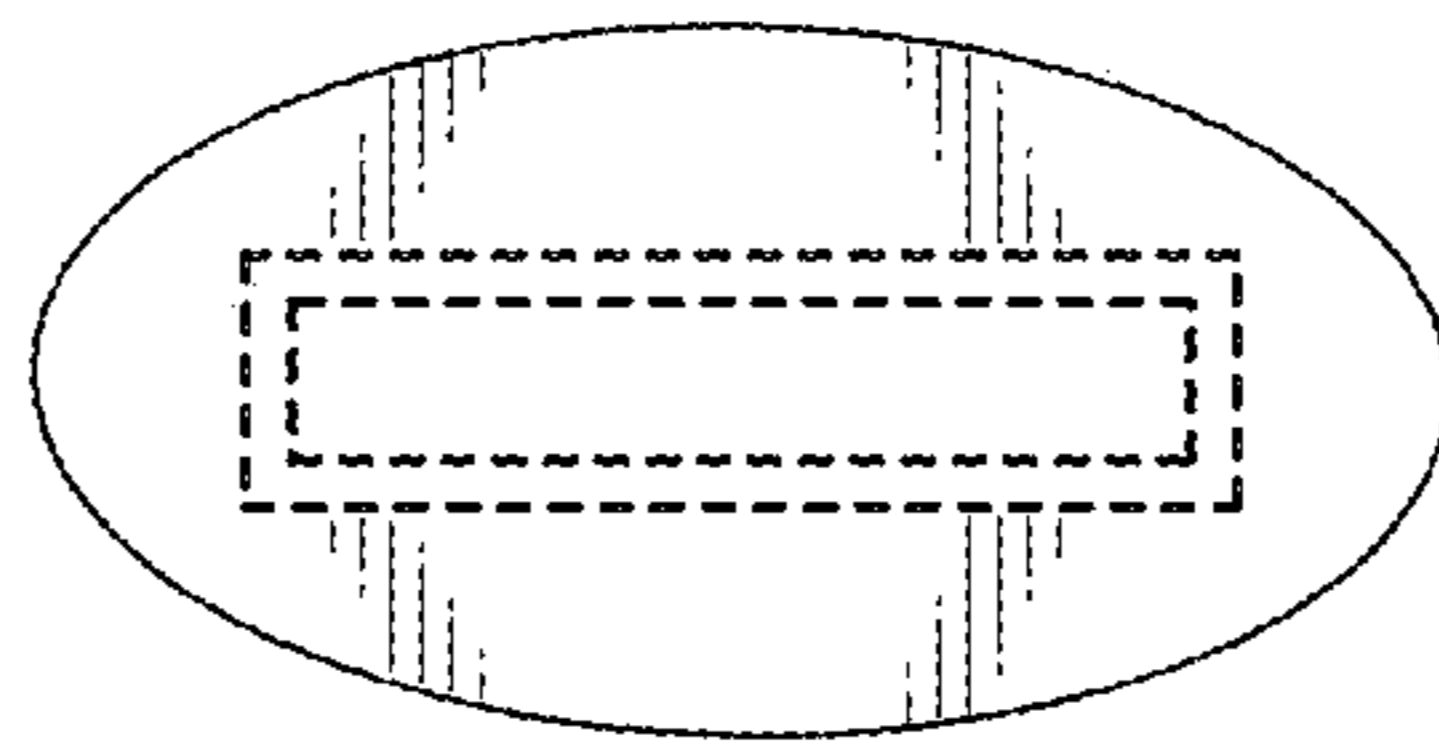


FIG. 6

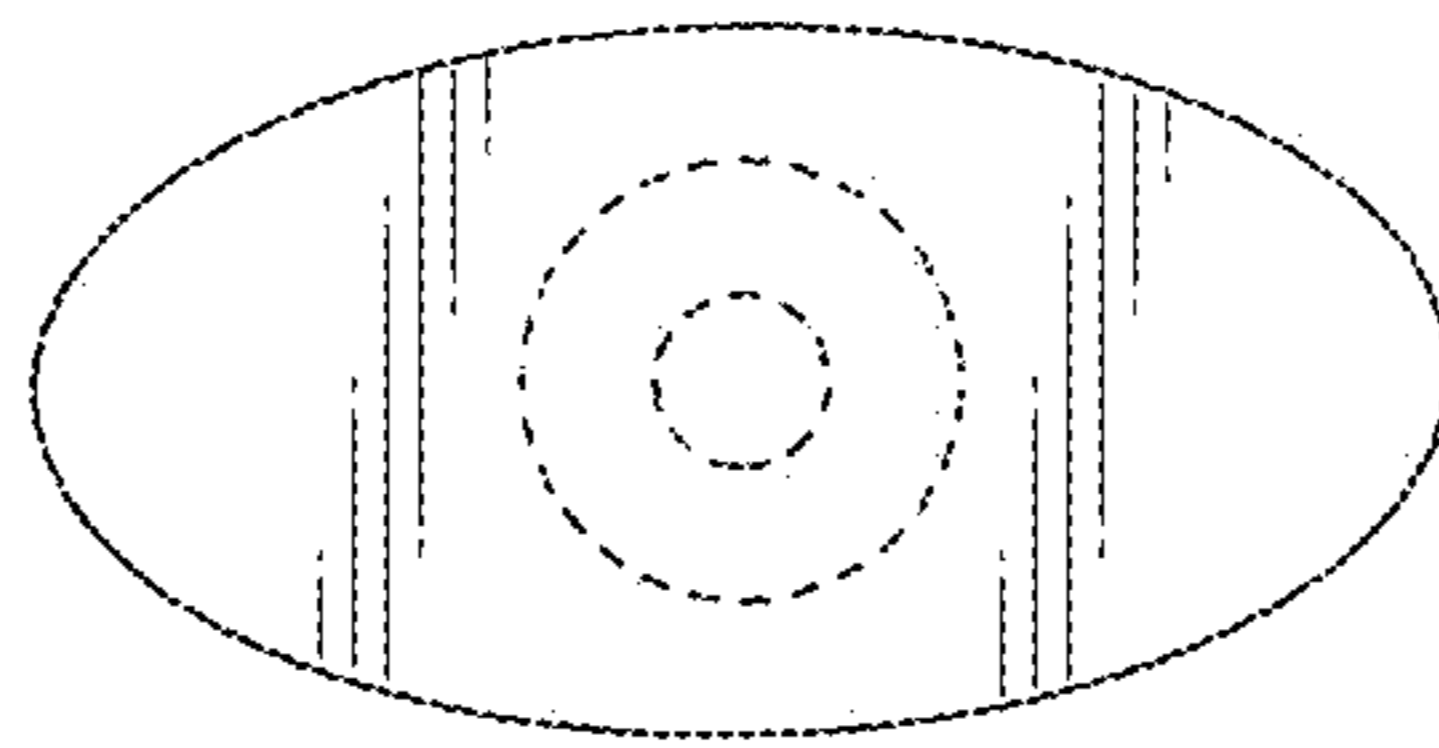


FIG. 7