



US00D955344S

(12) **United States Design Patent** (10) **Patent No.:** **US D955,344 S**
Wellens et al. (45) **Date of Patent:** **** Jun. 21, 2022**

(54) **CABLE TROUGH**

Primary Examiner — Jennifer O King

(71) Applicant: **TROJAN SERVICES LIMITED,**
Hove (GB)

(74) *Attorney, Agent, or Firm* — Hoffman Warnick LLC

(72) Inventors: **Stewart Wellens,** Hove (GB); **Philip Forrest-Smith,** Hove (GB)

(57) **CLAIM**

The ornamental design for a cable trough, as shown and described.

(73) Assignee: **TROJAN SERVICES LIMITED,**
Hove (GB)

DESCRIPTION

(**) Term: **15 Years**

(21) Appl. No.: **29/694,992**

(22) Filed: **Jun. 14, 2019**

(51) **LOC (13) Cl.** **13-03**

(52) **U.S. Cl.**
USPC **D13/155**

(58) **Field of Classification Search**
USPC D13/110, 123, 133, 137.1, 139.1, 139.4,
D13/152, 154, 155, 156, 158, 162, 164,
(Continued)

FIG. 1 shows a top isometric view of the assembled cable trough;
FIG. 2 shows a top view of the assembled cable trough;
FIG. 3 shows a bottom view of the assembled cable trough;
FIG. 4 shows a left side view of the assembled cable trough;
FIG. 5 shows a right side view of the assembled cable trough;
FIG. 6 shows a front view of the assembled cable trough;
FIG. 7 shows a rear view of the assembled cable trough;
FIG. 8 shows an exploded view of the cable trough;
FIG. 9 shows a top view of the base of the cable trough;
FIG. 10 shows an end view of the base of the cable trough;
FIG. 11 shows a top isometric view of the base of the cable trough;
FIG. 12 shows an underside of the lid of the cable trough;
FIG. 13 shows a side view of the lid of the cable trough;
FIG. 14 shows an end view of the lid of the cable trough;
FIG. 15 shows an isometric view of the underside of the lid of the cable trough;
FIG. 16 shows a top view of the divider of the cable trough;
FIG. 17 shows a side view of the divider of the cable trough;
FIG. 18 shows a bottom view of the divider of the cable trough;
FIG. 19 shows an end view of the divider of the cable trough;
FIG. 20 shows an isometric view of the top of the divider of the cable trough; and,
FIG. 21 shows an isometric view of the bottom of the divider of the cable trough.
The broken lines shown represent portions of the cable trough that form no part of the claimed design.

(56) **References Cited**

U.S. PATENT DOCUMENTS

D213,956 S * 4/1969 Jones D23/200
3,840,140 A * 10/1974 Tisbo H02G 3/0437
220/3.8

(Continued)

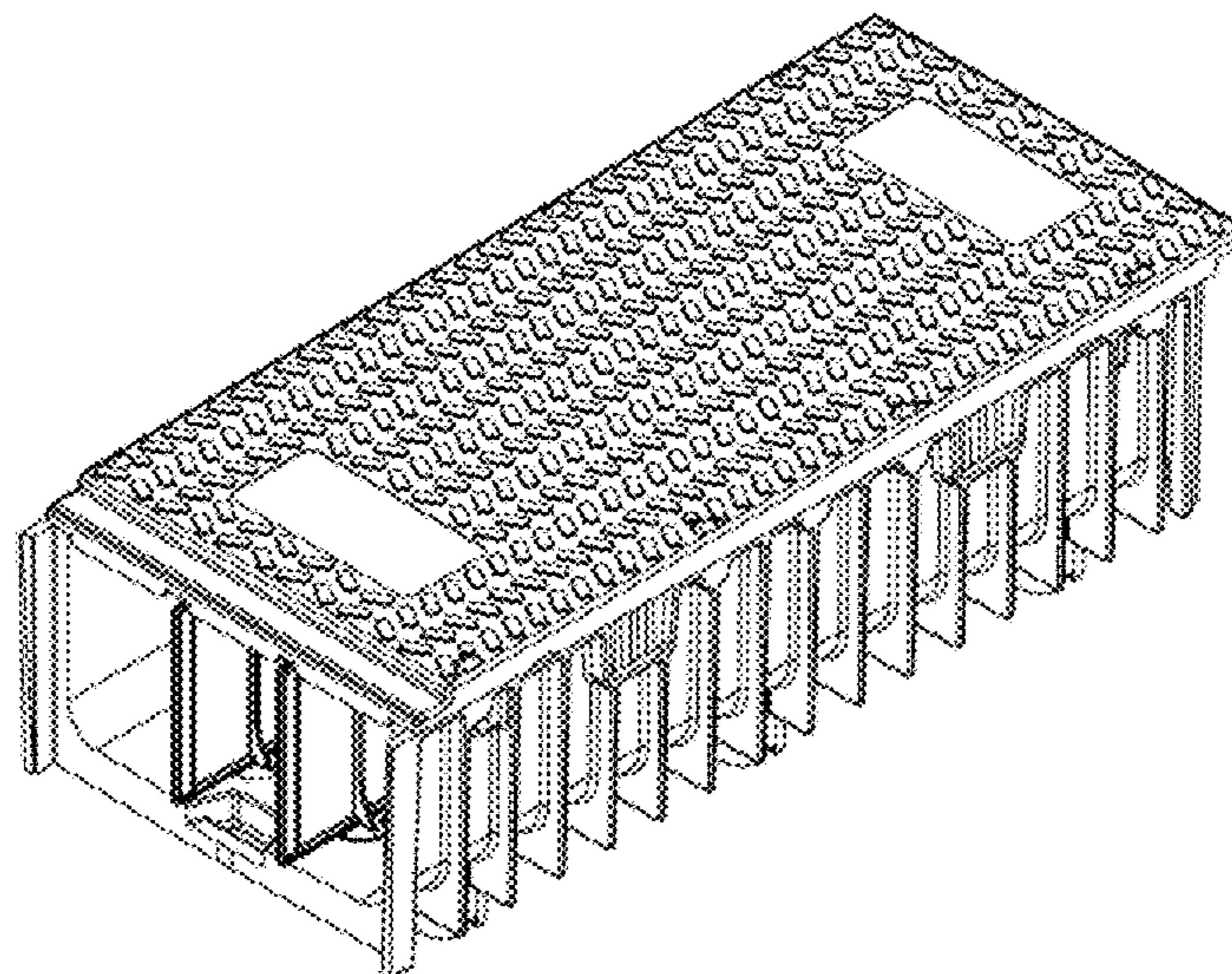
FOREIGN PATENT DOCUMENTS

EM 000554316 8/2006
EM 001543141 7/2009

OTHER PUBLICATIONS

TroTrofComposites.com. <https://www.trotrofcomposites.com/sites/default/files/2020-05/Tro%20Trof%20400%20Data%20sheet%20for%20site.pdf> date: Apr. 2020 (Year: 2020).*

1 Claim, 9 Drawing Sheets



(58) **Field of Classification Search**

USPC D13/173, 177, 184; D8/354, 349, 356,
D8/155; D25/133
CPC H02G 3/32; H02G 3/0437; G02B 6/3897
See application file for complete search history.

(56) **References Cited**

U.S. PATENT DOCUMENTS

D322,596 S * 12/1991 Henneberger D13/155
6,076,779 A * 6/2000 Johnson G02B 6/4461
248/49
6,709,186 B2 * 3/2004 Ferris G02B 6/4459
248/68.1
D576,109 S * 9/2008 Sayres D13/155
D576,560 S * 9/2008 Sayres D13/155
D876,093 S * 2/2020 Thompson D3/313
2011/0278038 A1 * 11/2011 Wellens B60M 5/00
174/39
2018/0183223 A1 * 6/2018 Kloft H02G 3/0437
2020/0144804 A1 * 5/2020 Wellens E01B 2/00

* cited by examiner

FIG. 1

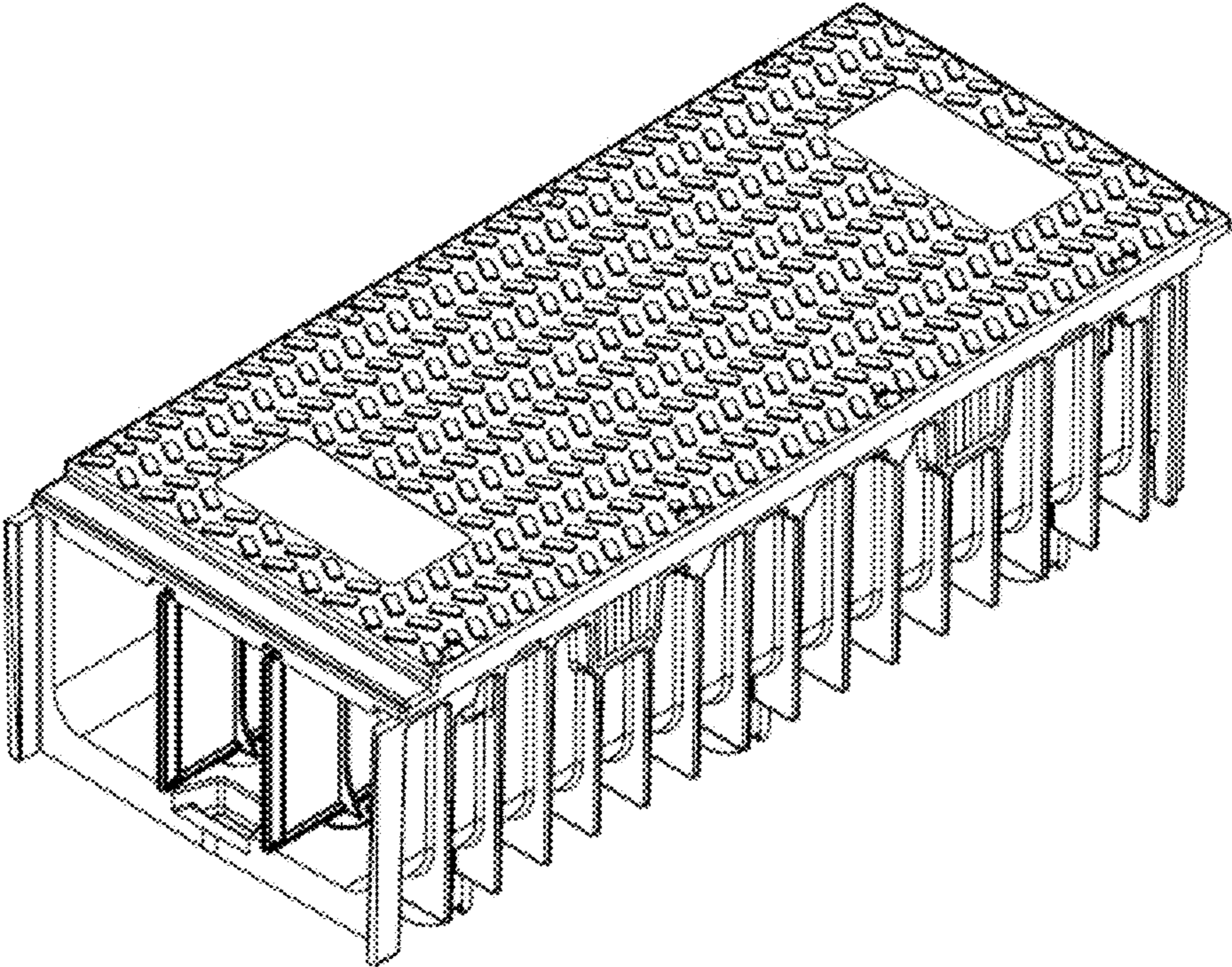


FIG. 2

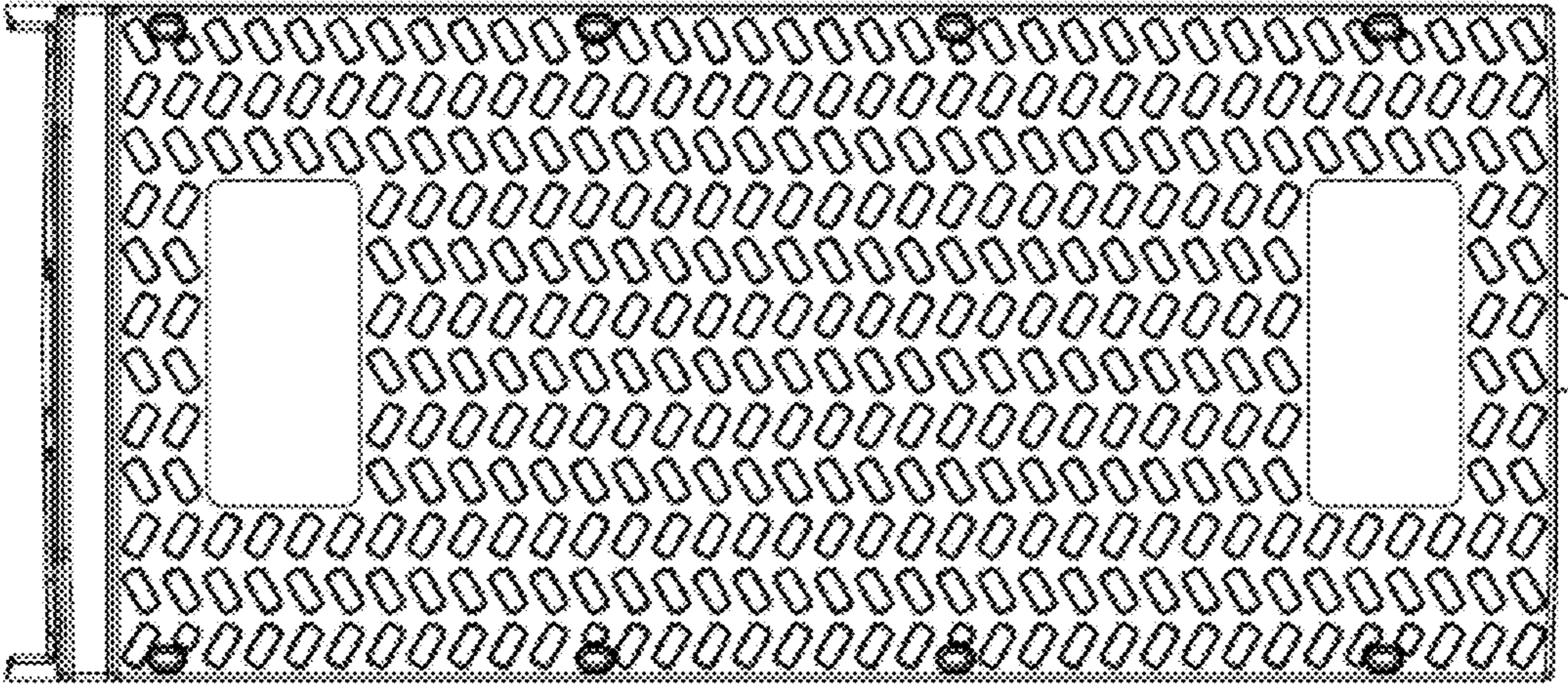


FIG. 3

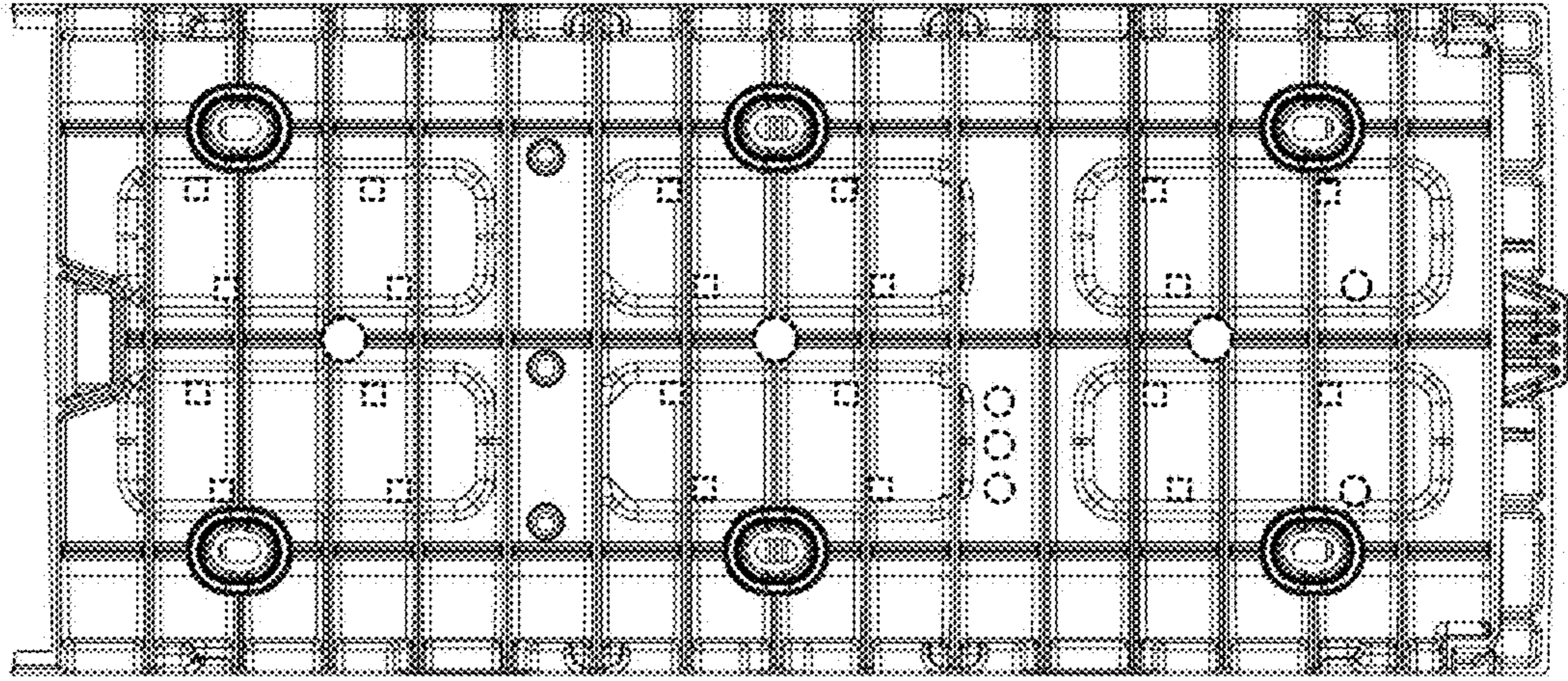


FIG. 4

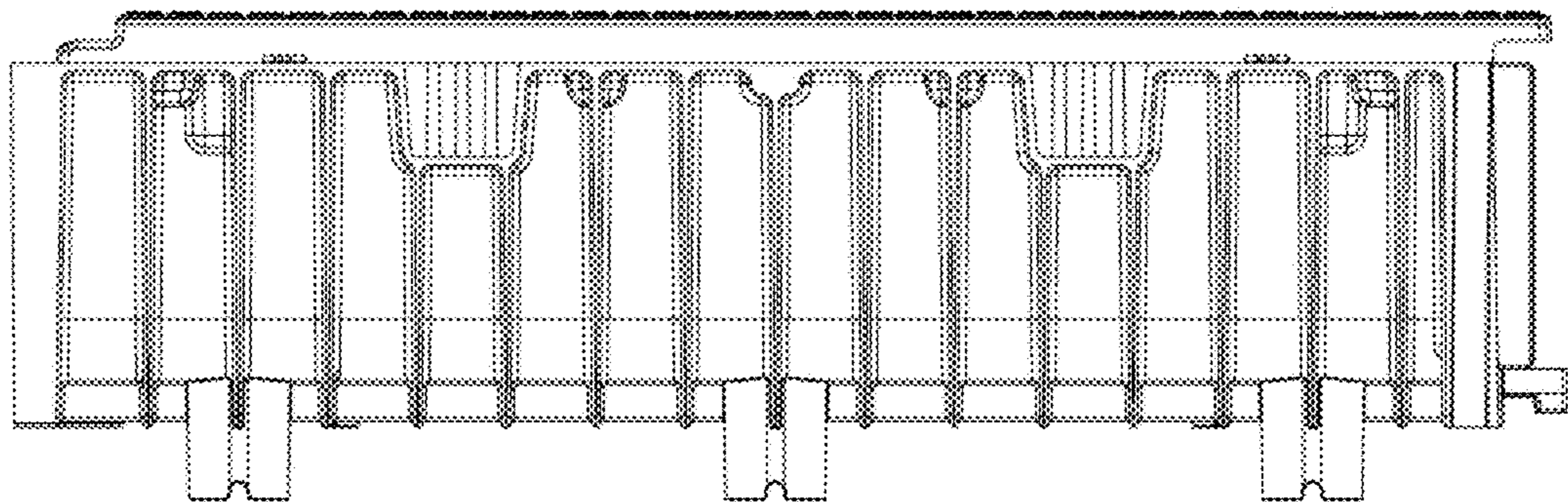


FIG. 5

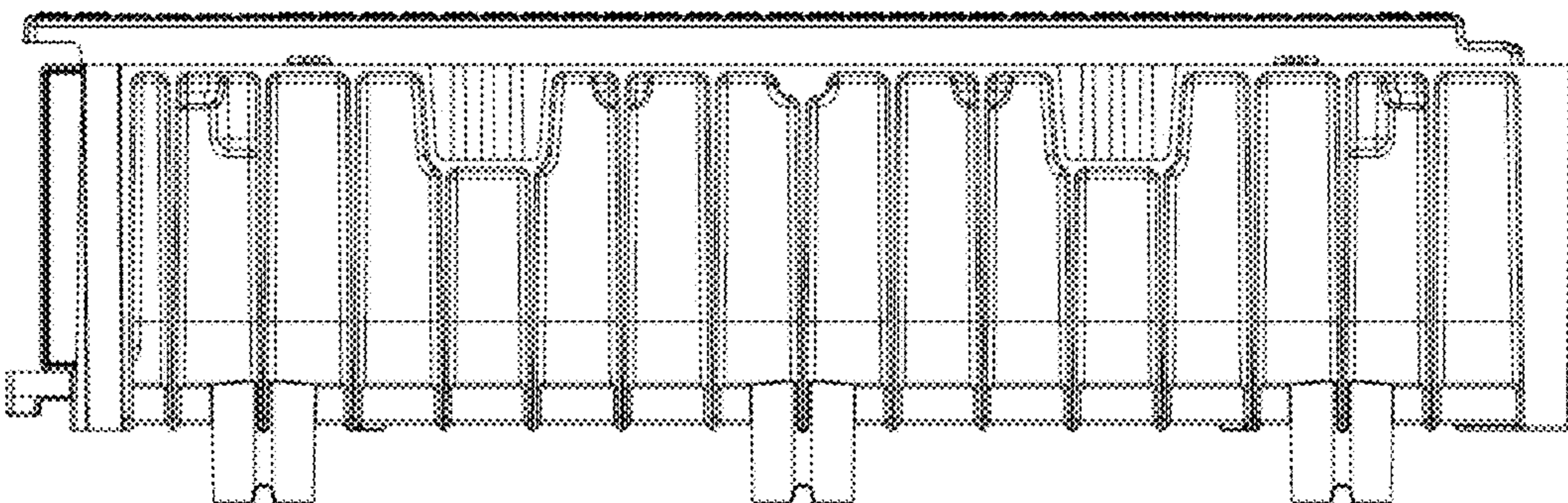


FIG. 6

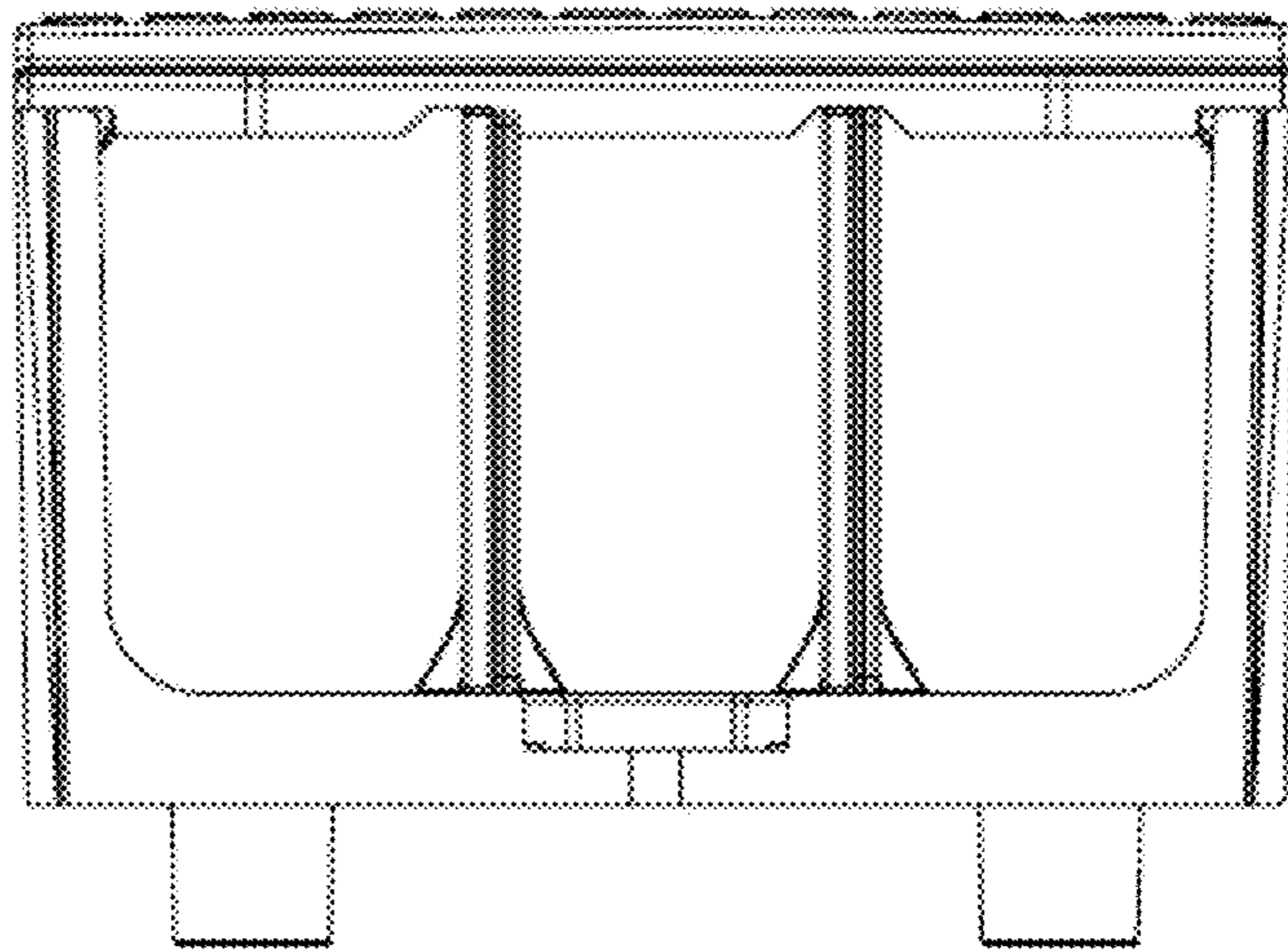


FIG. 7

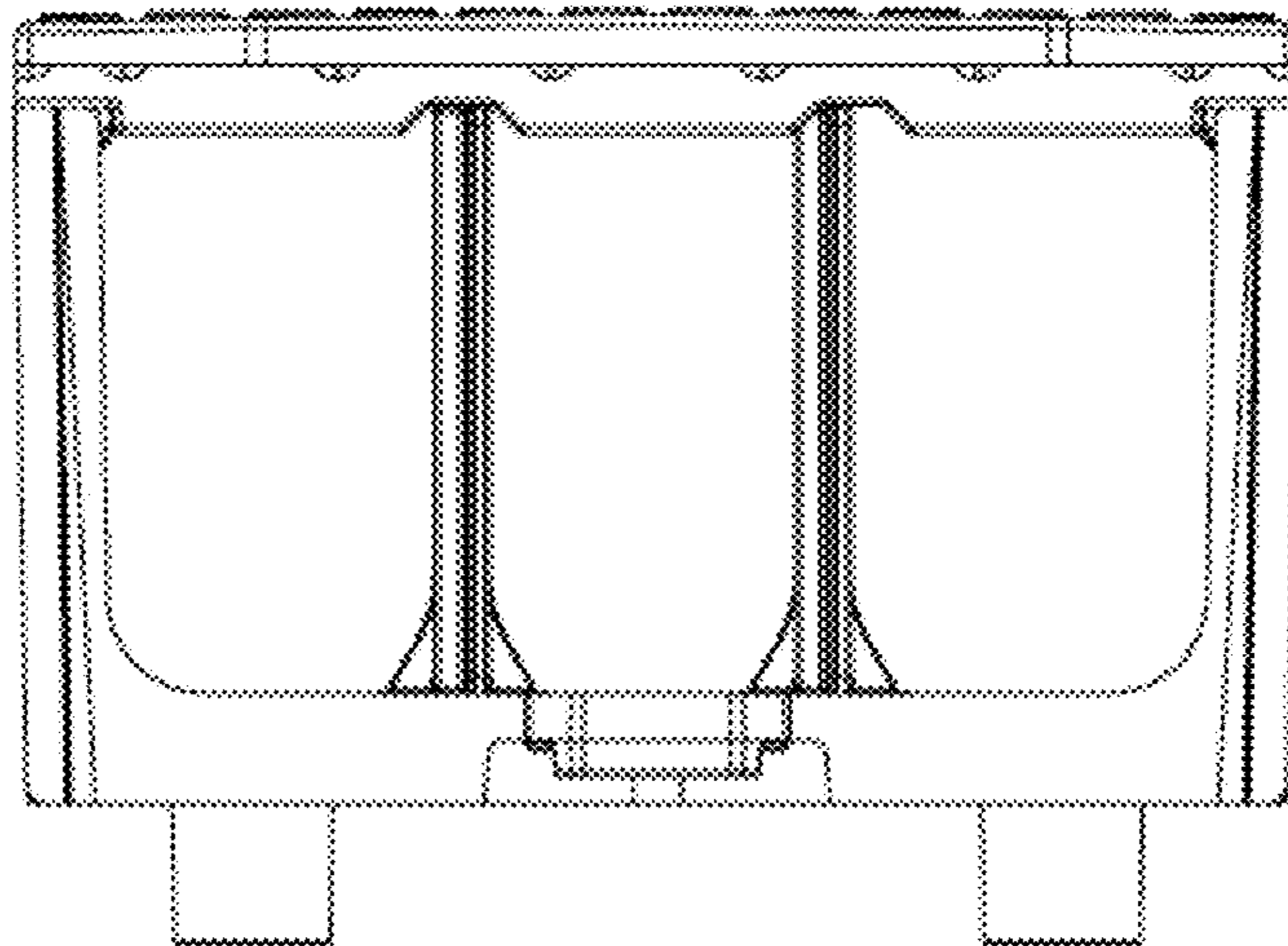


FIG. 9

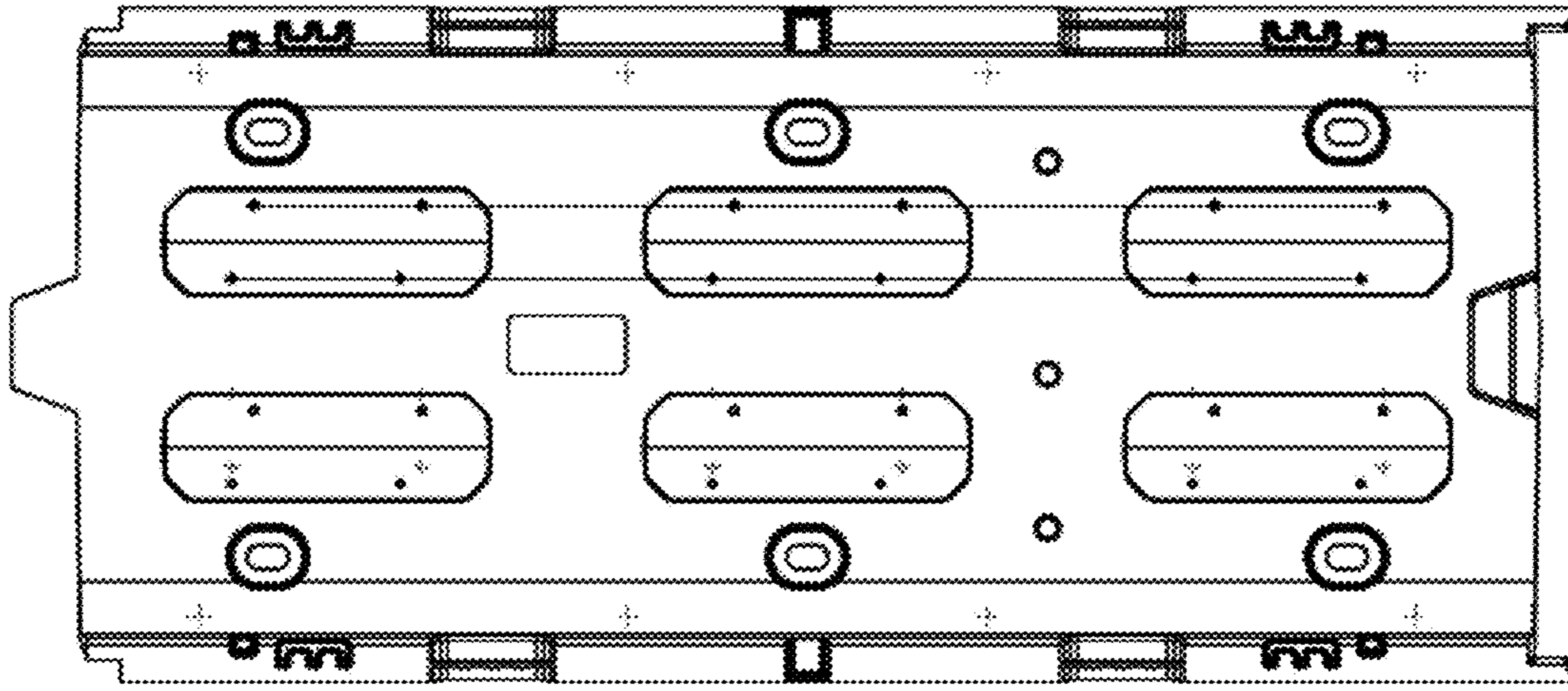


FIG. 8

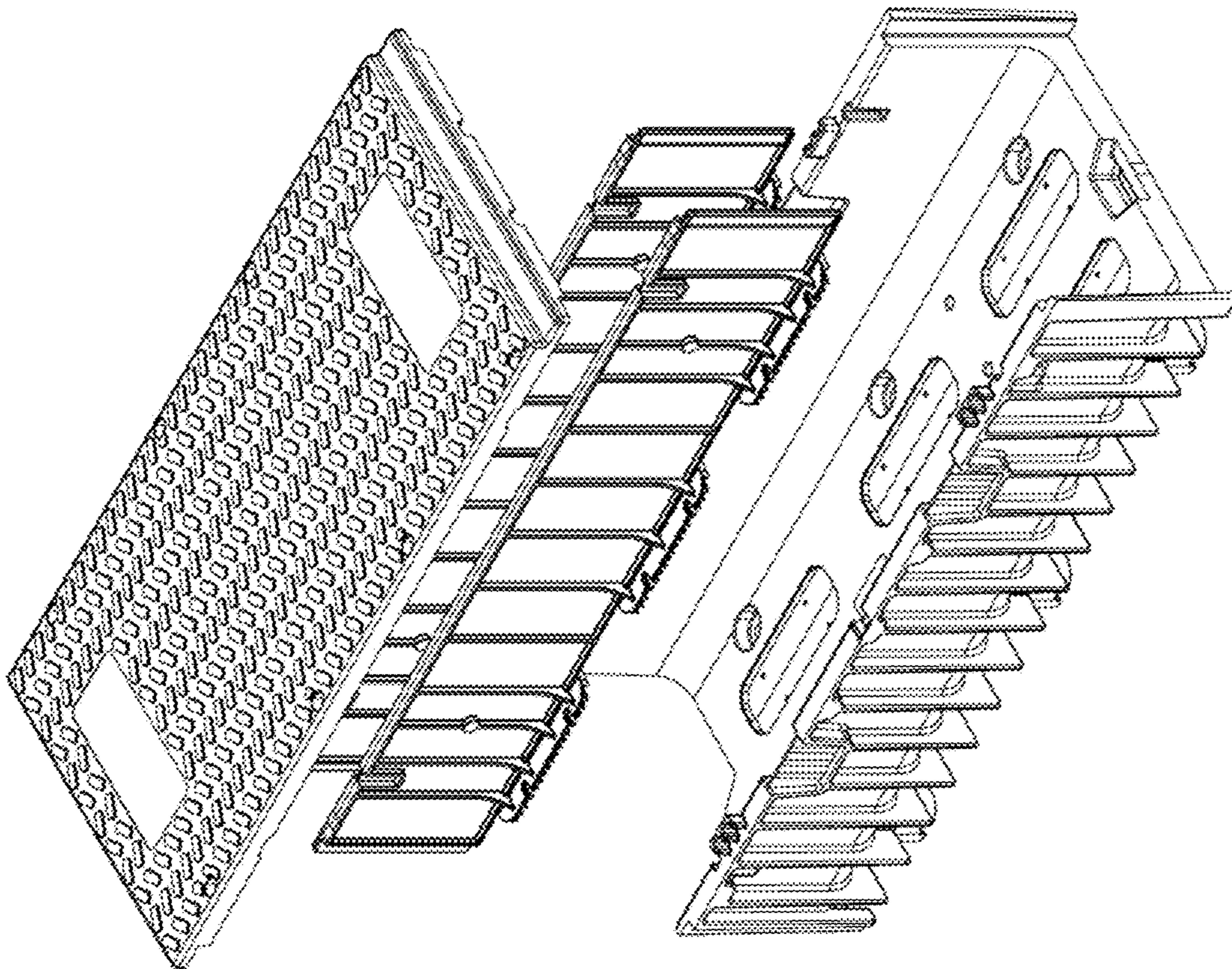


FIG. 10

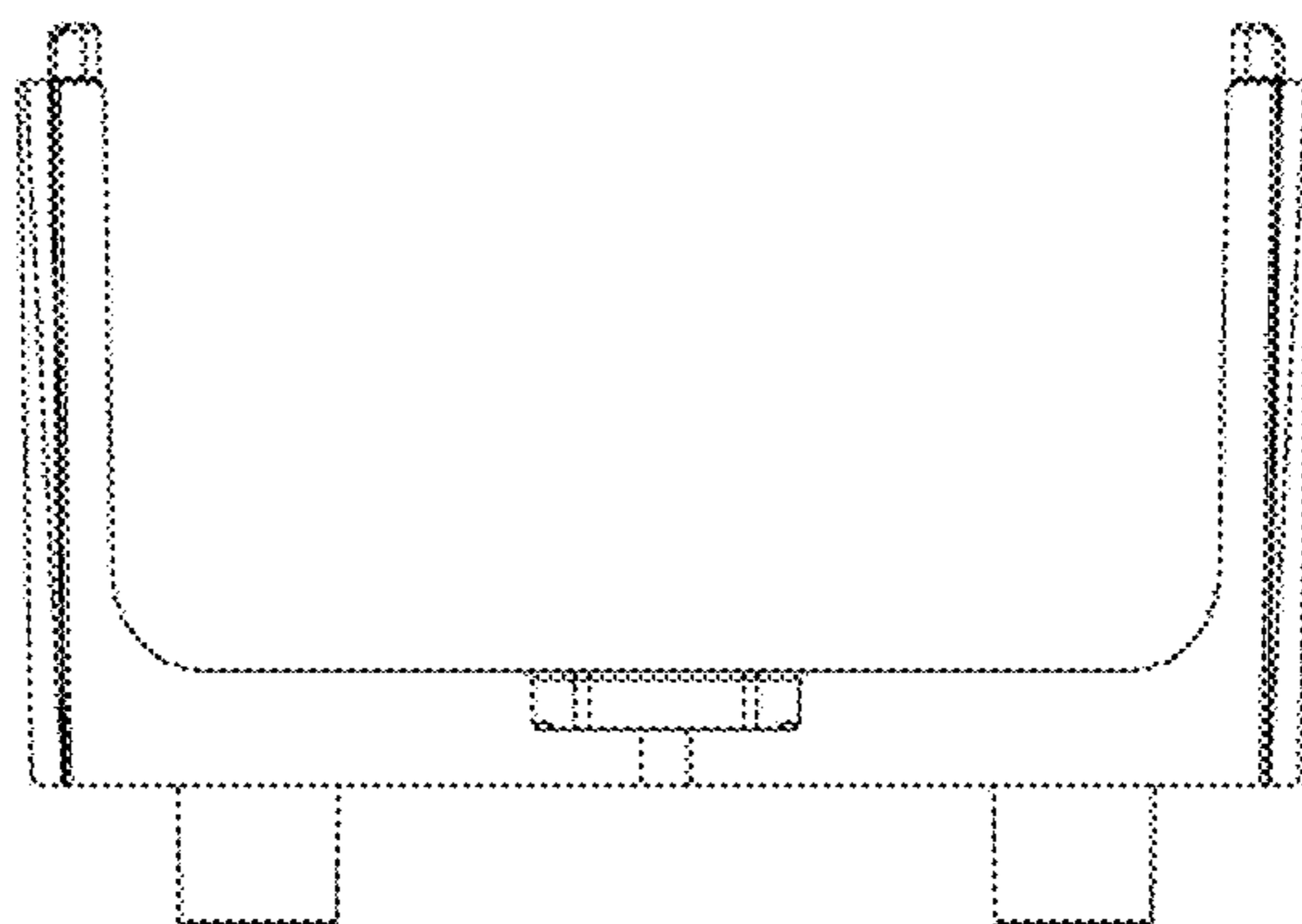


FIG. 11

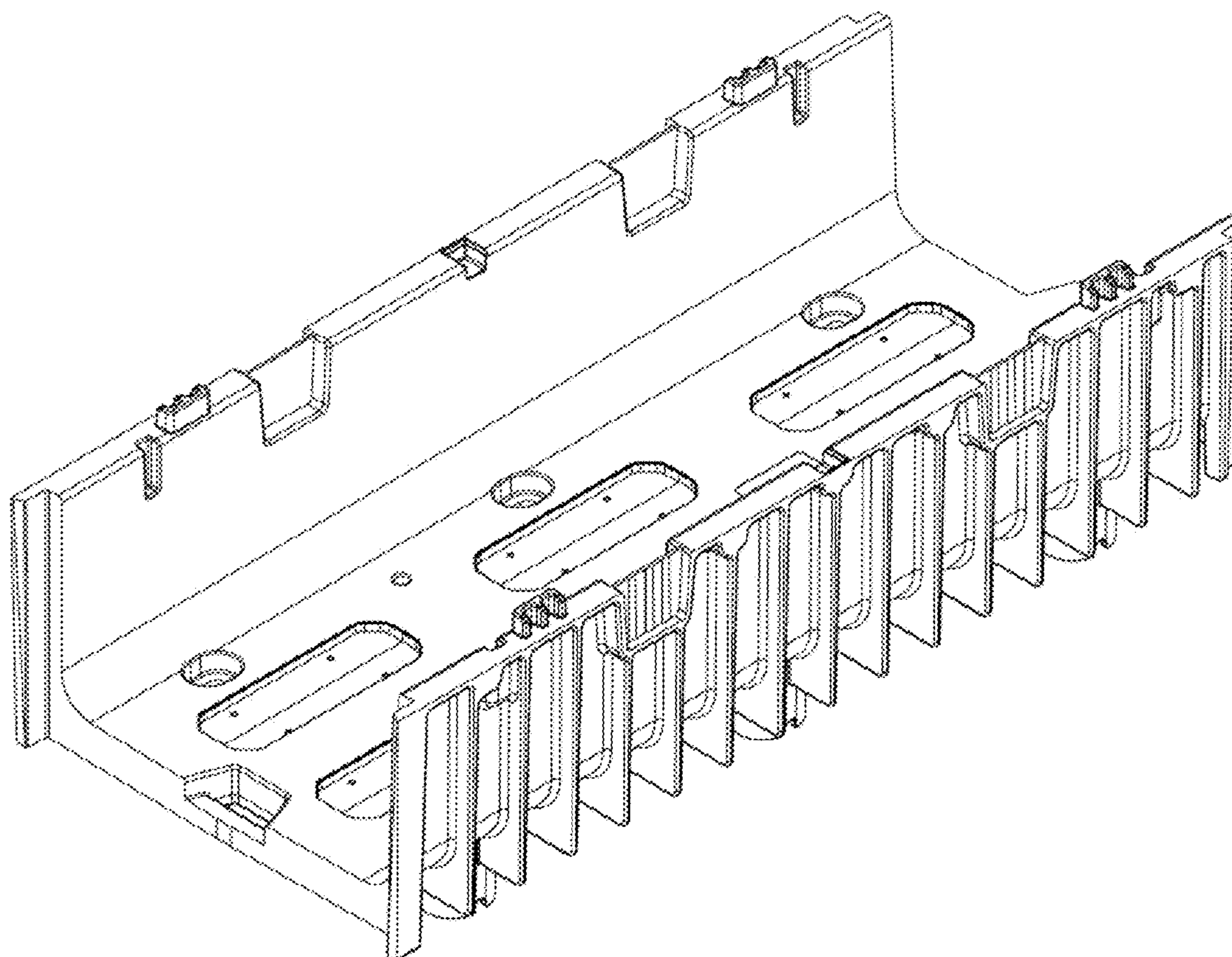


FIG. 12

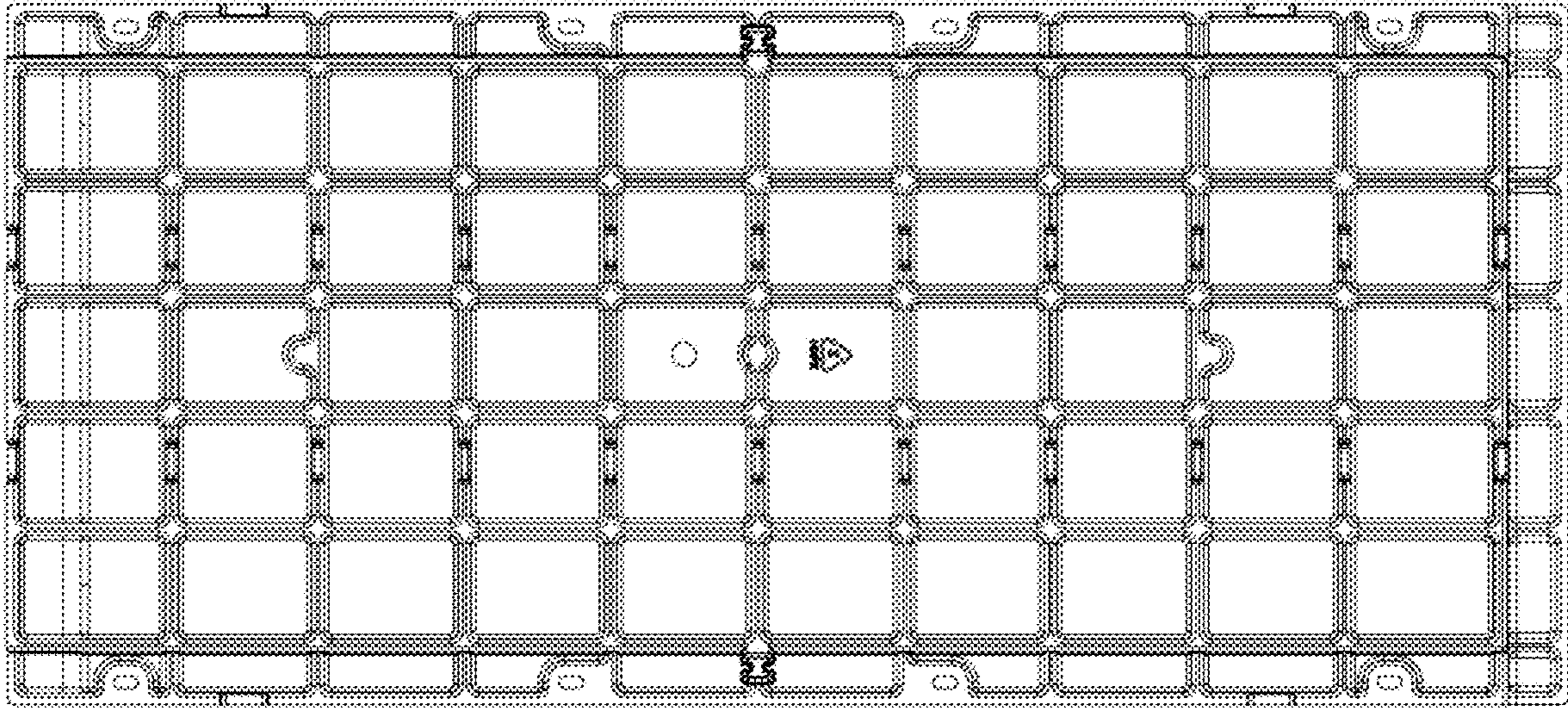


FIG. 13



FIG. 14

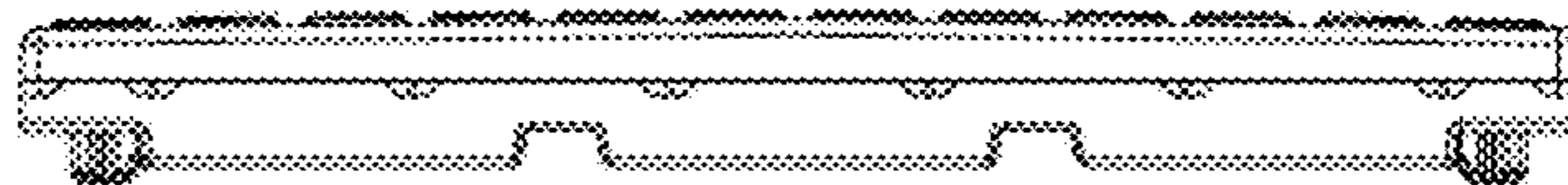


FIG. 15

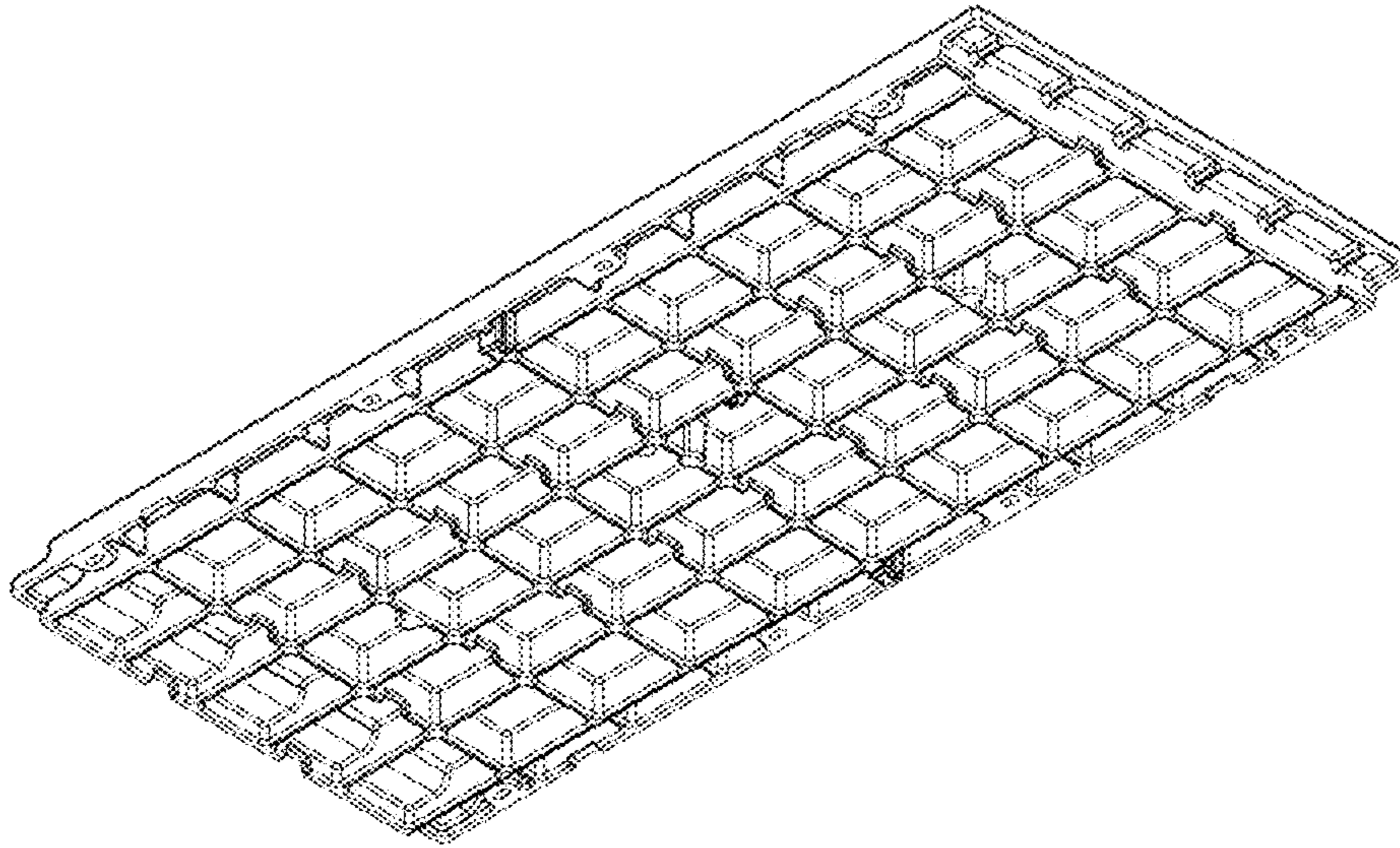


FIG. 16

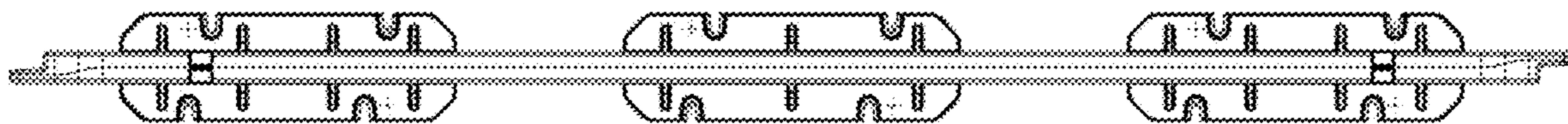


FIG. 17

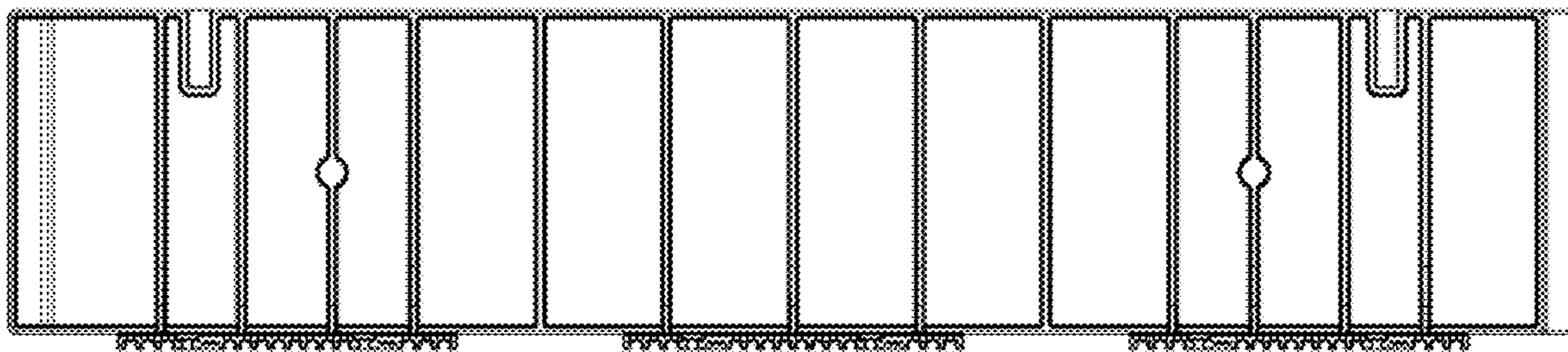


FIG. 18

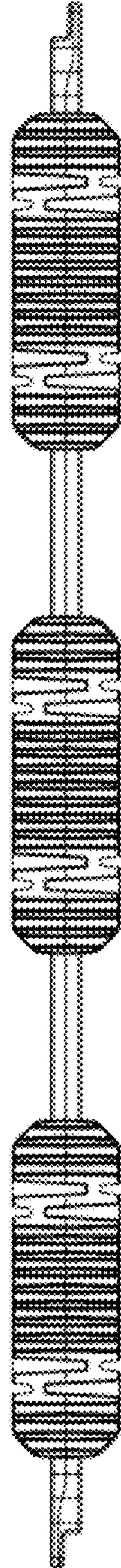


FIG. 19

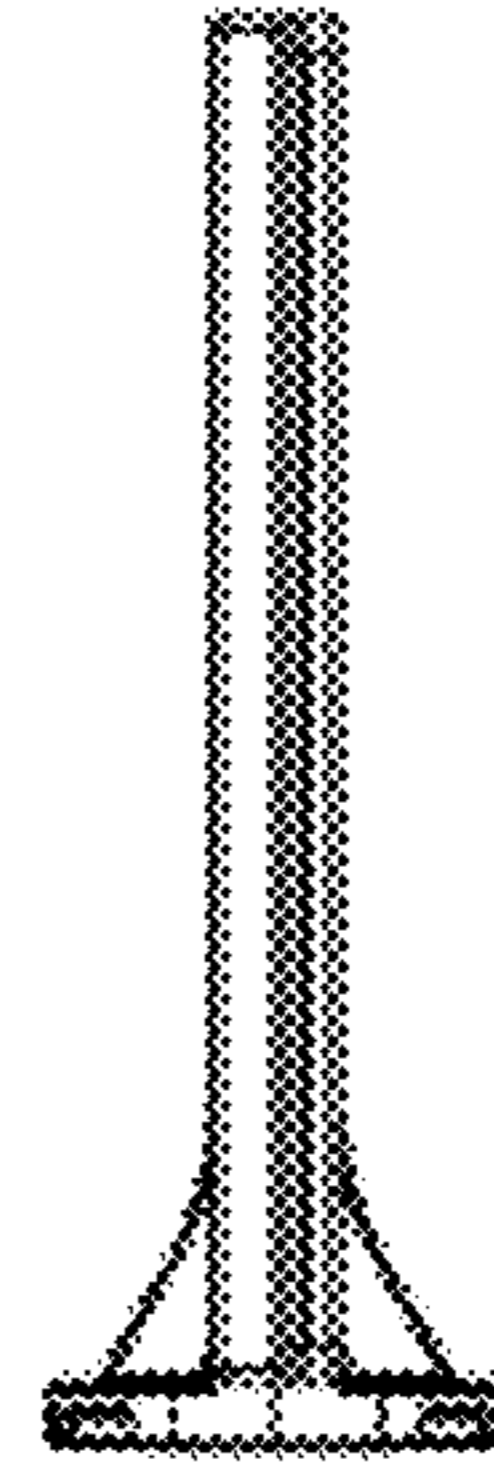


FIG. 20

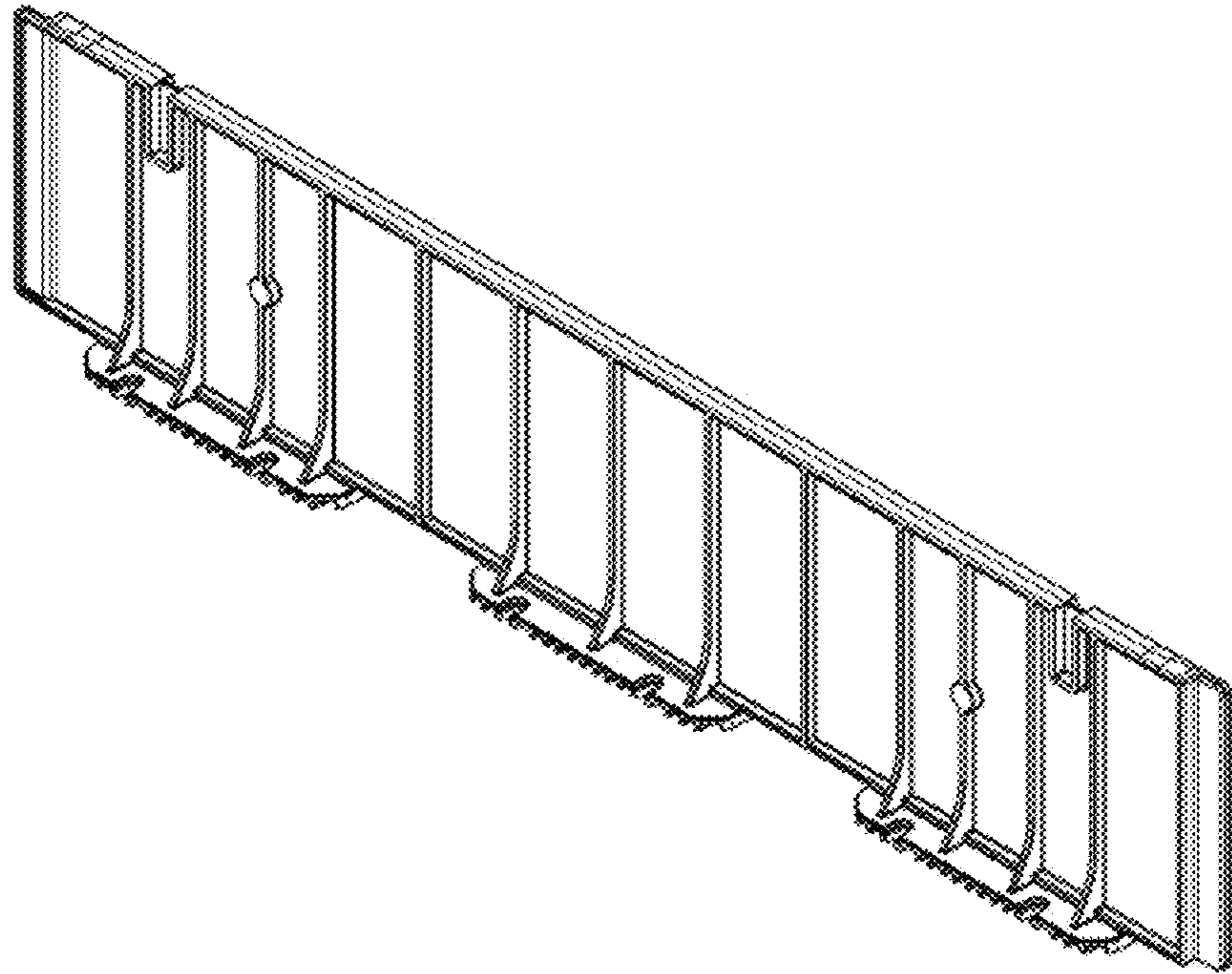


FIG. 21

