



US00D955343S

(12) **United States Design Patent**
Hirano

(10) **Patent No.:** **US D955,343 S**
(45) **Date of Patent:** **** Jun. 21, 2022**

(54) **ELECTRIC CONNECTION TERMINAL**

(71) Applicant: **TATSUTA ELECTRIC WIRE & CABLE CO., LTD.**, Higashiosaka (JP)

(72) Inventor: **Masaki Hirano**, Kyoto (JP)

(73) Assignee: **TATSUTA ELECTRIC WIRE & CABLE CO., LTD.**, Osaka (JP)

(**) Term: **15 Years**

(21) Appl. No.: **29/737,585**

(22) Filed: **Jun. 10, 2020**

Related U.S. Application Data

(62) Division of application No. 35/506,616, filed on Aug. 21, 2018 (U.S. filing date under 35 U.S.C. 384), and having an international filing date of Aug. 21, 2018, now Pat. No. Des. 920,923.

(30) **Foreign Application Priority Data**

Feb. 21, 2018 (JP) 2018-003548

(51) **LOC (13) Cl.** **13-03**

(52) **U.S. Cl.**
USPC **D13/154**

(58) **Field of Classification Search**
USPC D13/154, 146, 147
CPC H05K 1/02
See application file for complete search history.

(56) **References Cited**

U.S. PATENT DOCUMENTS

D593,951 S * 6/2009 Yoon D13/147
D625,270 S * 10/2010 Schafmeister D13/147
D641,703 S 7/2011 Severing
D676,391 S * 2/2013 Gassauer D13/147
D717,734 S * 11/2014 Habirov D13/147

(Continued)

OTHER PUBLICATIONS

Office Action for U.S. Appl. No. 35/506,616 dated Aug. 11, 2020.

Primary Examiner — Rhea Shields

(74) *Attorney, Agent, or Firm* — Harness, Dickey & Pierce, P.L.C.

(57) **CLAIM**

The ornamental design for an electric connection terminal, as shown and described.

DESCRIPTION

FIG. 1 is a front, right perspective view of an electric connection terminal showing my new design;

FIG. 2 is a front view thereof;

FIG. 3 is a back view thereof;

FIG. 4 is a left side view thereof;

FIG. 5 is a right side view thereof;

FIG. 6 is a top view thereof;

FIG. 7 is a bottom view thereof;

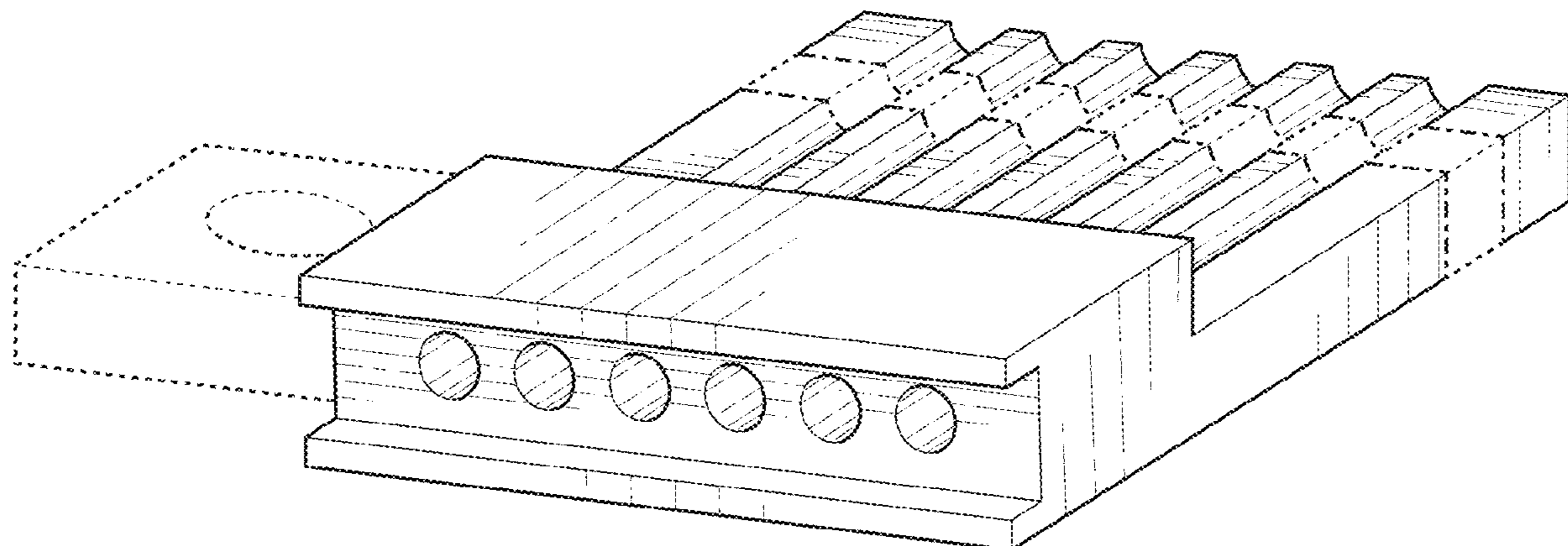
FIG. 8 is a cross-sectional view thereof taken along line 8-8 of FIG. 6; and,

FIG. 9 is a cross-sectional view thereof taken along line 9-9 of FIG. 6.

The article is made of electrically conductive material; one or more electric wires can be connected electrically to an external electric wire or even without removing insulating covers of one or more electric wires; the vicinity of through holes is coated with an electrically conductive material by thermal spraying so that the end parts of the electric wires are electrically connected to this article; the external electric wire connects to the connecting part (hole) on one side of this article.

In the drawings, the dash-dash broken lines are for the purpose of illustrating portions of the electric connection terminal that forms no part of the claimed design. The dot-dash lines are for the purpose of illustrating the boundaries of the claim that forms no part of the claimed design.

1 Claim, 9 Drawing Sheets



(56)

References Cited

U.S. PATENT DOCUMENTS

D739,822 S * 9/2015 Severing D13/146
D747,270 S 1/2016 Severing
D804,420 S 12/2017 Huettemeier
9,899,752 B2 2/2018 Wu et al.
D824,336 S 7/2018 Yayoshi
D824,339 S 7/2018 Yamaguchi
D826,166 S 8/2018 Yayoshi
D839,197 S 1/2019 Endo et al.
D839,205 S 1/2019 Endo et al.
D839,832 S 2/2019 Yanase et al.
D839,834 S 2/2019 Endo et al.
D845,907 S 4/2019 Suzuki
D853,969 S 7/2019 Huang
D859,317 S * 9/2019 Huang D13/147
D862,394 S 10/2019 Hernandez et al.
D864,123 S 10/2019 Swanson
D866,446 S 11/2019 Chen
D867,300 S 11/2019 Huang
D868,700 S 12/2019 Huang et al.
10,638,598 B2 * 4/2020 Haruna H05K 1/02
D920,923 S * 6/2021 Hirano D13/154

* cited by examiner

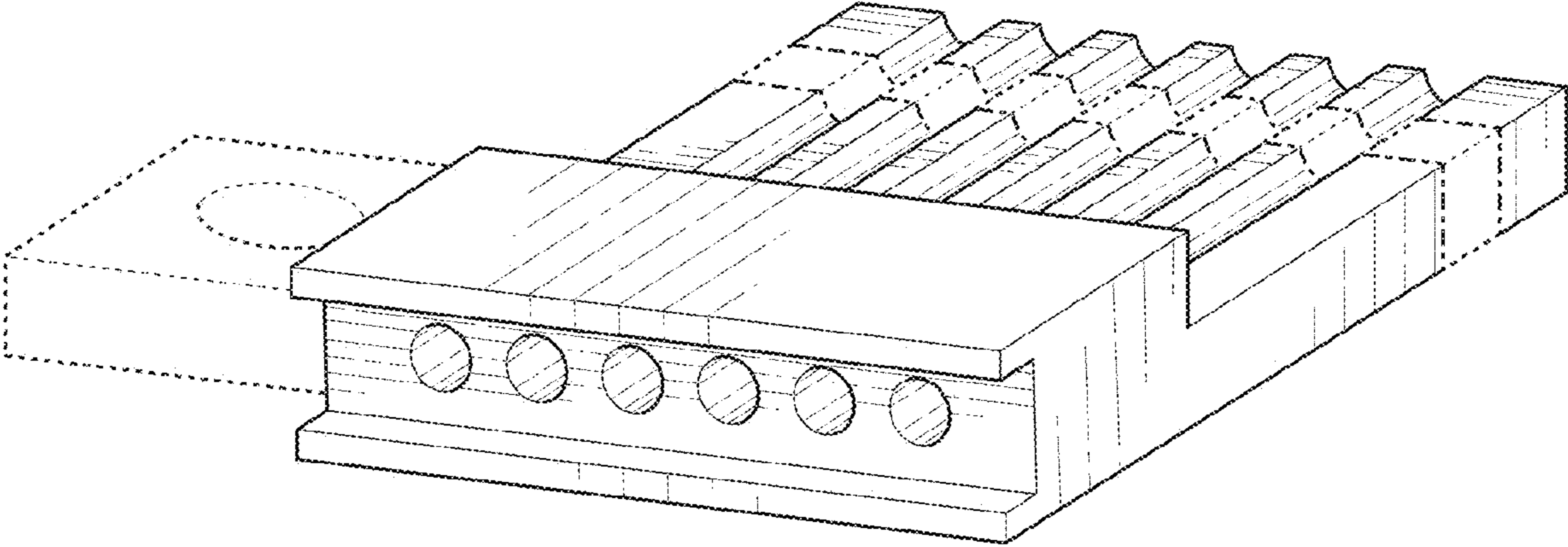


FIG. 1

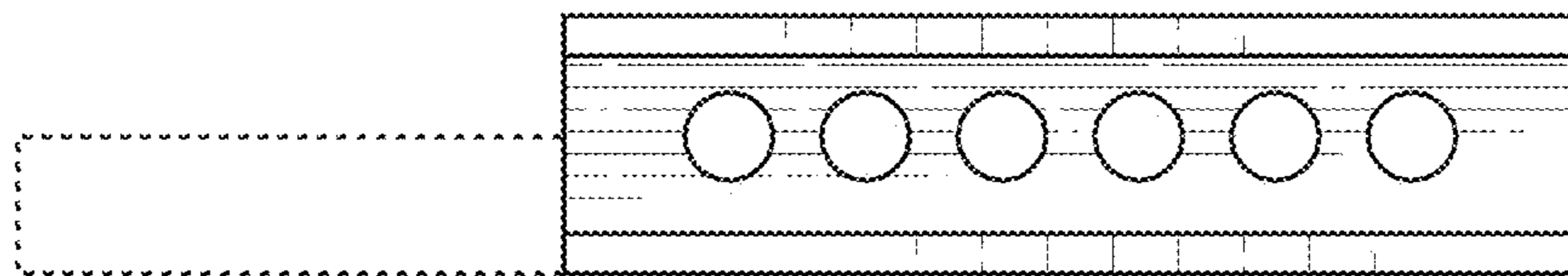


FIG. 2

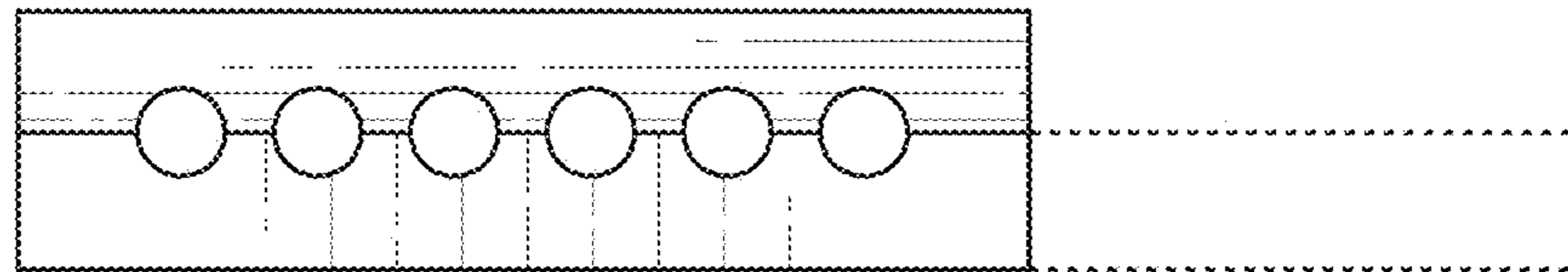


FIG. 3

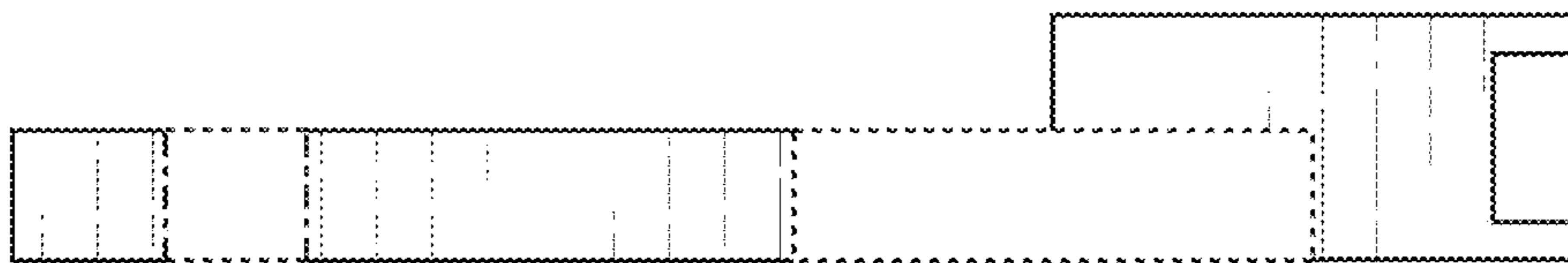


FIG. 4

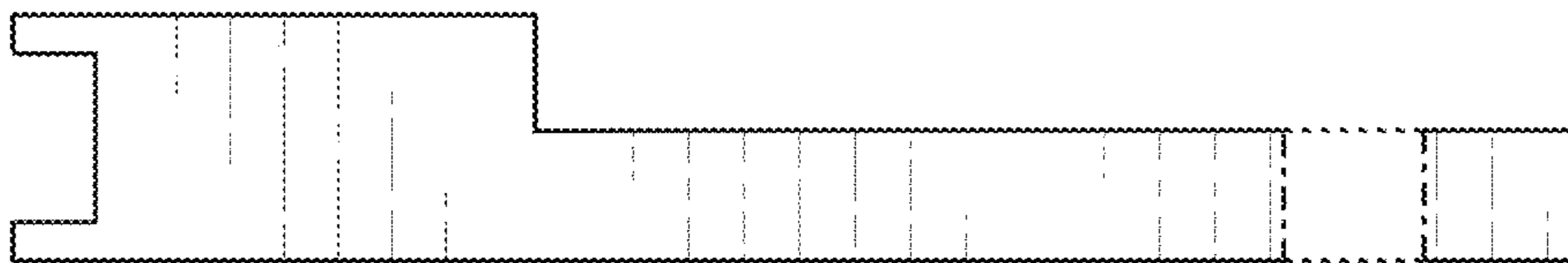


FIG. 5

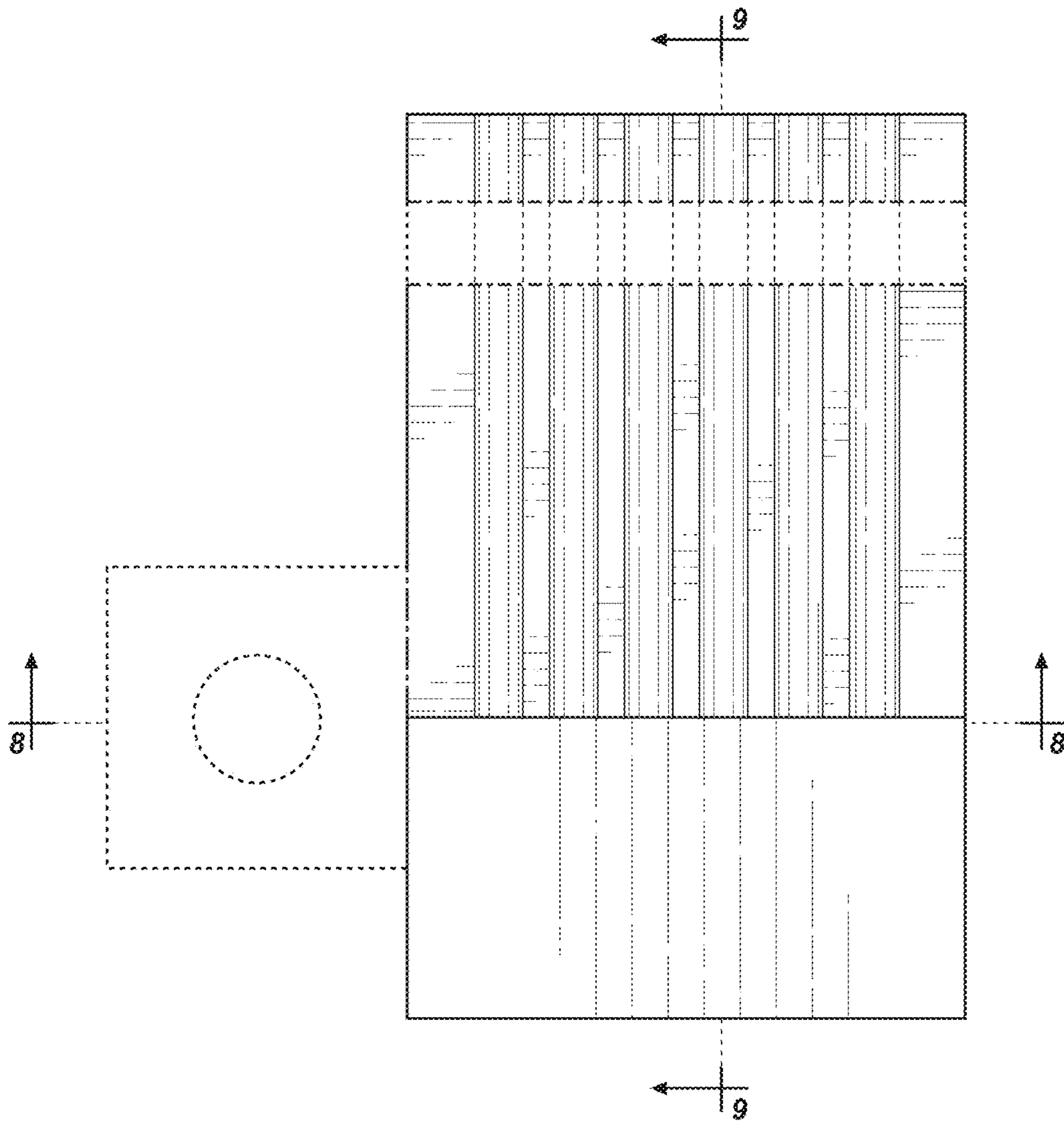


FIG. 6

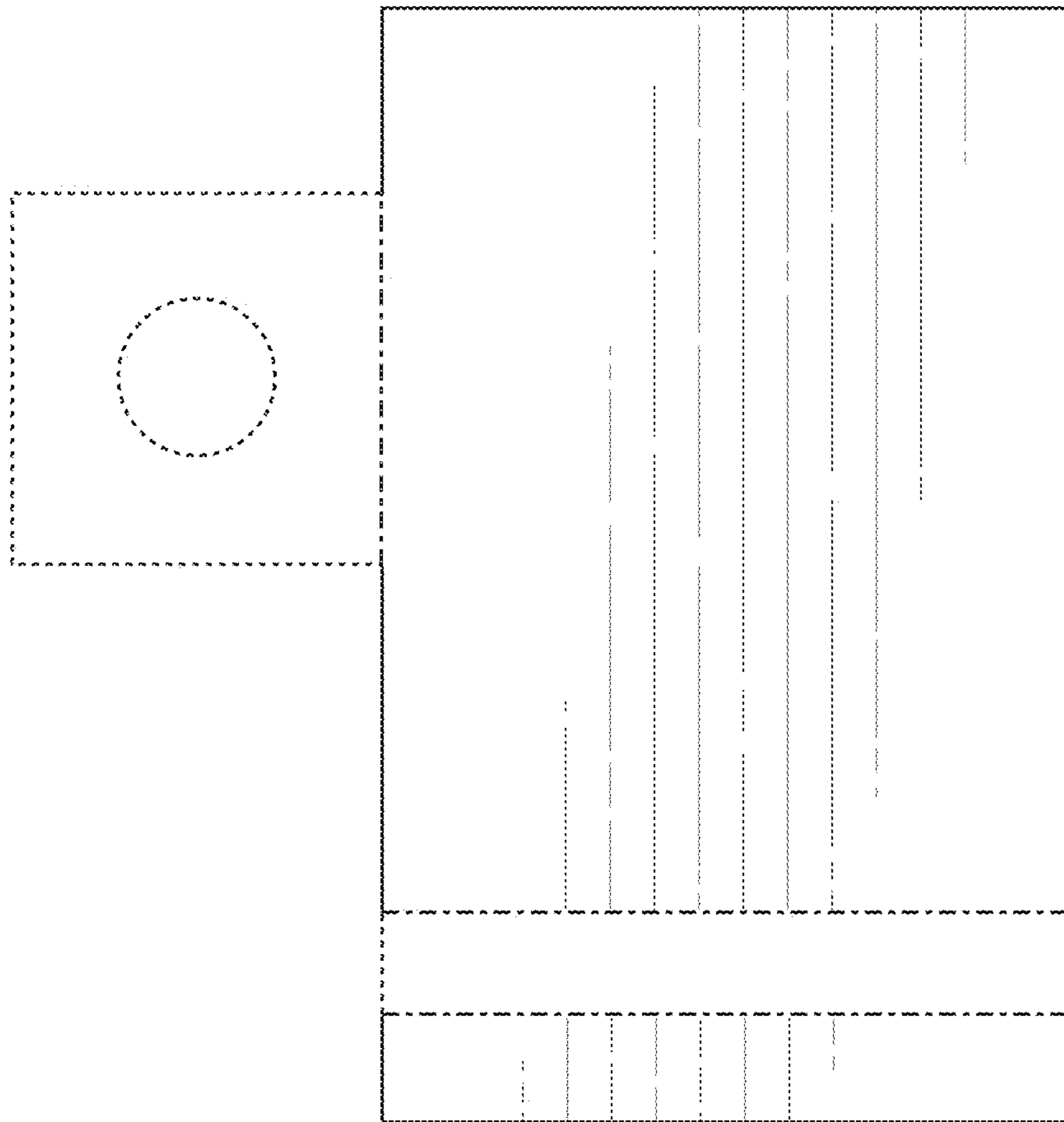


FIG. 7

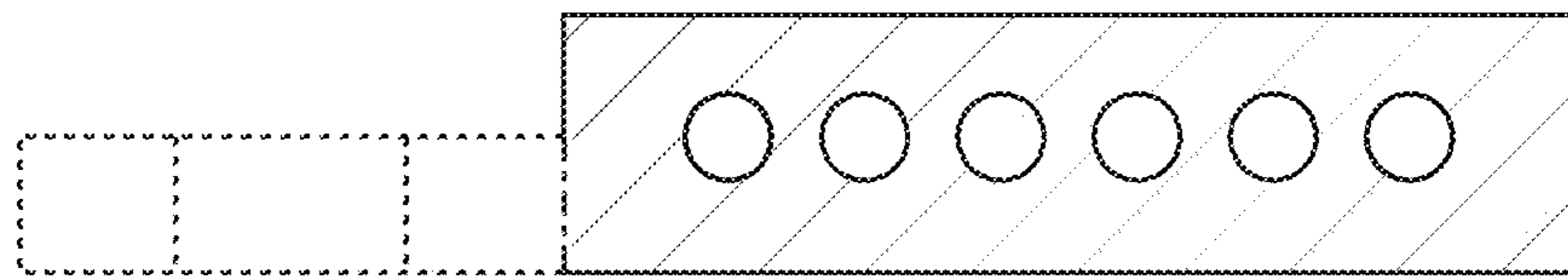


FIG. 8

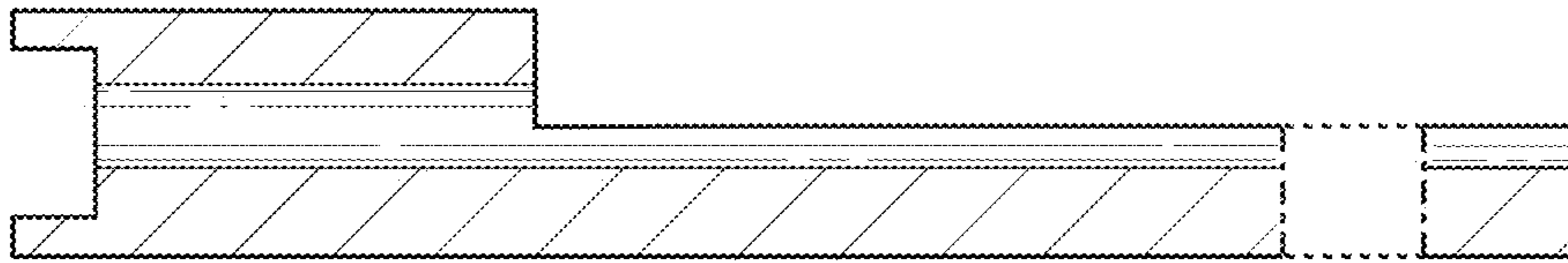


FIG. 9