



US00D955342S

(12) **United States Design Patent** (10) **Patent No.:** **US D955,342 S**
Krivonak et al. (45) **Date of Patent:** **** Jun. 21, 2022**

(54) **INVERTER ALTERNATING CURRENT BUSBAR**

(71) Applicant: **Transportation IP Holdings, LLC**,
Norwalk, CT (US)

(72) Inventors: **Andrew Louis Krivonak**, Erie, PA
(US); **Henry Todd Young**, Erie, PA
(US); **Jason Kuttenkuler**, Erie, PA
(US); **Mark Murphy**, Erie, PA (US)

(73) Assignee: **TRANSPORTATION IP HOLDINGS, LLC**,
Norwalk, CT (US)

(**) Term: **15 Years**

(21) Appl. No.: **29/725,464**

(22) Filed: **Feb. 25, 2020**

(51) **LOC (13) Cl.** **13-03**

(52) **U.S. Cl.**
USPC **D13/154**

(58) **Field of Classification Search**

USPC D13/101, 110, 118, 123, 133, 146, 147,
D13/154, 184, 199

CPC H02M 7/003; H02M 7/44; H01B 5/02;
H02B 1/20; H02B 1/21; H02B 1/22;
H01M 10/02; H01R 9/24; H01R 9/26;
H01R 25/14; H01R 25/16; B60R 16/02;
B60R 16/03

See application file for complete search history.

(56) **References Cited**

U.S. PATENT DOCUMENTS

D743,896 S	*	11/2015	Murphy	D13/147
D743,897 S	*	11/2015	Krivonak	D13/147
D743,901 S	*	11/2015	Murphy	D13/147
D743,911 S	*	11/2015	Murphy	D13/154
D760,658 S	*	7/2016	Perlaguri	D13/154
D784,265 S	*	4/2017	Perlaguri	D13/154

(Continued)

Primary Examiner — Derrick E Holland

(74) *Attorney, Agent, or Firm* — Christopher R. Carroll;
The Small Patent Law Group LLC

(57) **CLAIM**

The ornamental design for an inverter alternating current busbar, as shown and described.

DESCRIPTION

FIG. 1 is a perspective view of a first embodiment of an inverter alternating current busbar;

FIG. 2 is a rear view of the inverter alternating current busbar shown in FIG. 1;

FIG. 3 is a front view of the inverter alternating current busbar shown in FIG. 1;

FIG. 4 is a left side view of the inverter alternating current busbar shown in FIG. 1;

FIG. 5 is a right side view of the inverter alternating current busbar shown in FIG. 1;

FIG. 6 is a top view of the inverter alternating current busbar shown in FIG. 1;

FIG. 7 is a bottom view of the inverter alternating current busbar shown in FIG. 1;

FIG. 8 is a perspective view of a second embodiment of the inverter alternating current busbar;

FIG. 9 is a rear view of the inverter alternating current busbar shown in FIG. 8;

FIG. 10 is a front view of the inverter alternating current busbar shown in FIG. 8;

FIG. 11 is a left side view of the inverter alternating current busbar shown in FIG. 8;

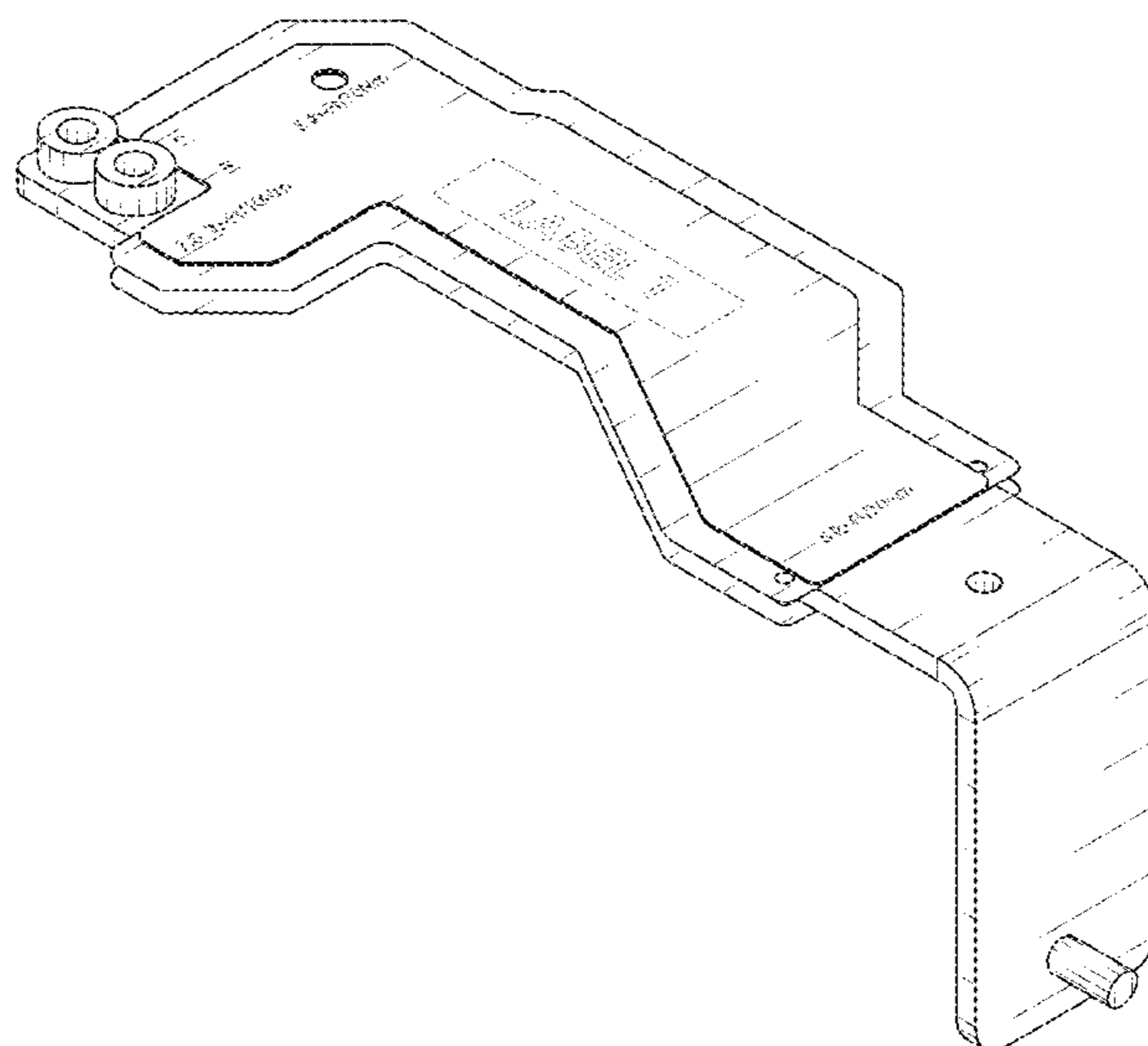
FIG. 12 is a right side view of the inverter alternating current busbar shown in FIG. 8;

FIG. 13 is a top view of the inverter alternating current busbar shown in FIG. 8; and,

FIG. 14 is a bottom view of the inverter alternating current busbar shown in FIG. 8.

The broken lines depict portions of the inverter alternating current busbar which form no part of the claimed design.

1 Claim, 12 Drawing Sheets



(56)

References Cited

U.S. PATENT DOCUMENTS

D798,822 S *	10/2017	Jiang	D13/154
D816,619 S *	5/2018	Murphy	D13/154
D827,582 S *	9/2018	Murphy	D13/154
2013/0062937 A1 *	3/2013	Fussl	B60R 16/02 174/68.2

* cited by examiner

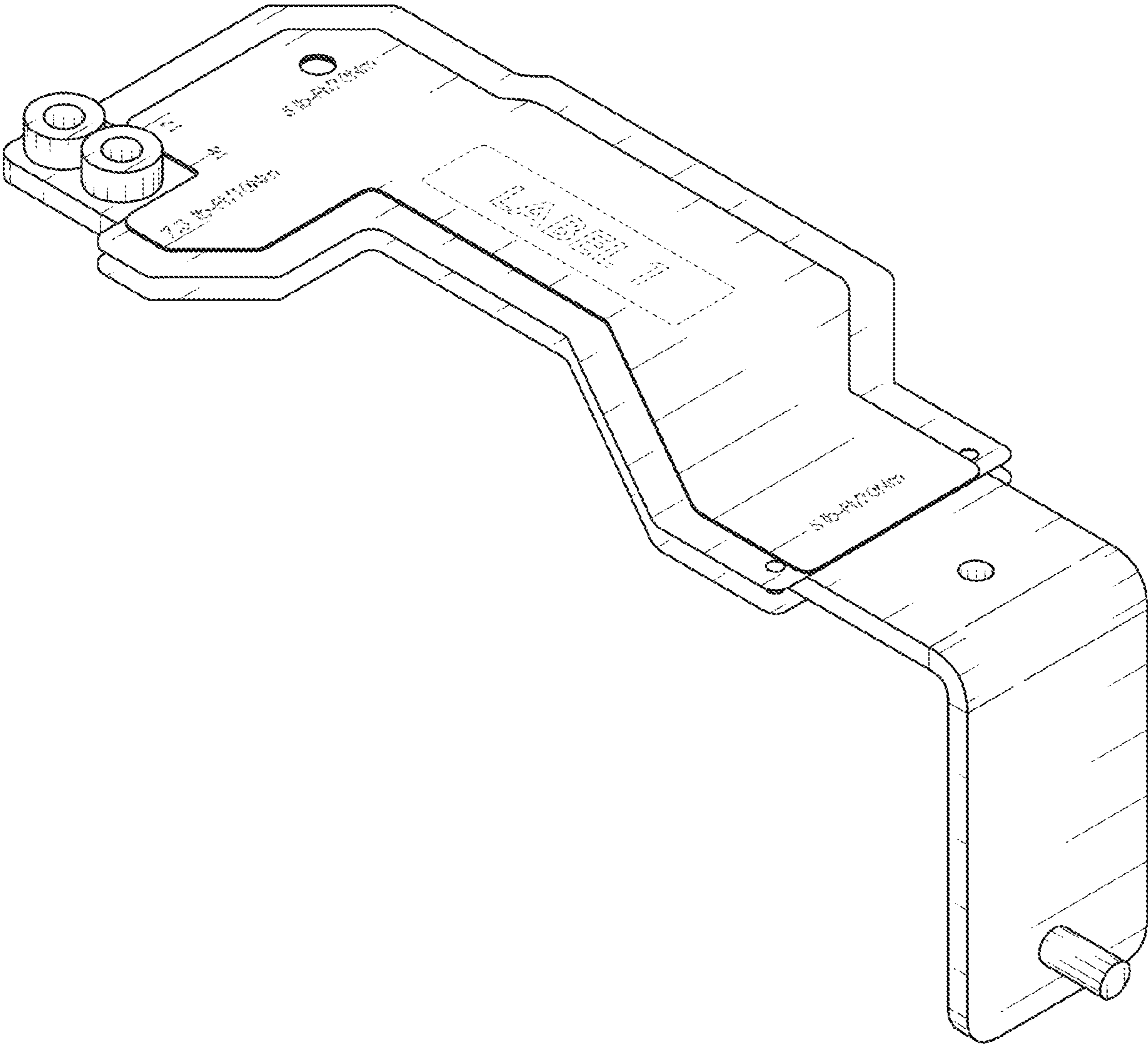


FIG. 1

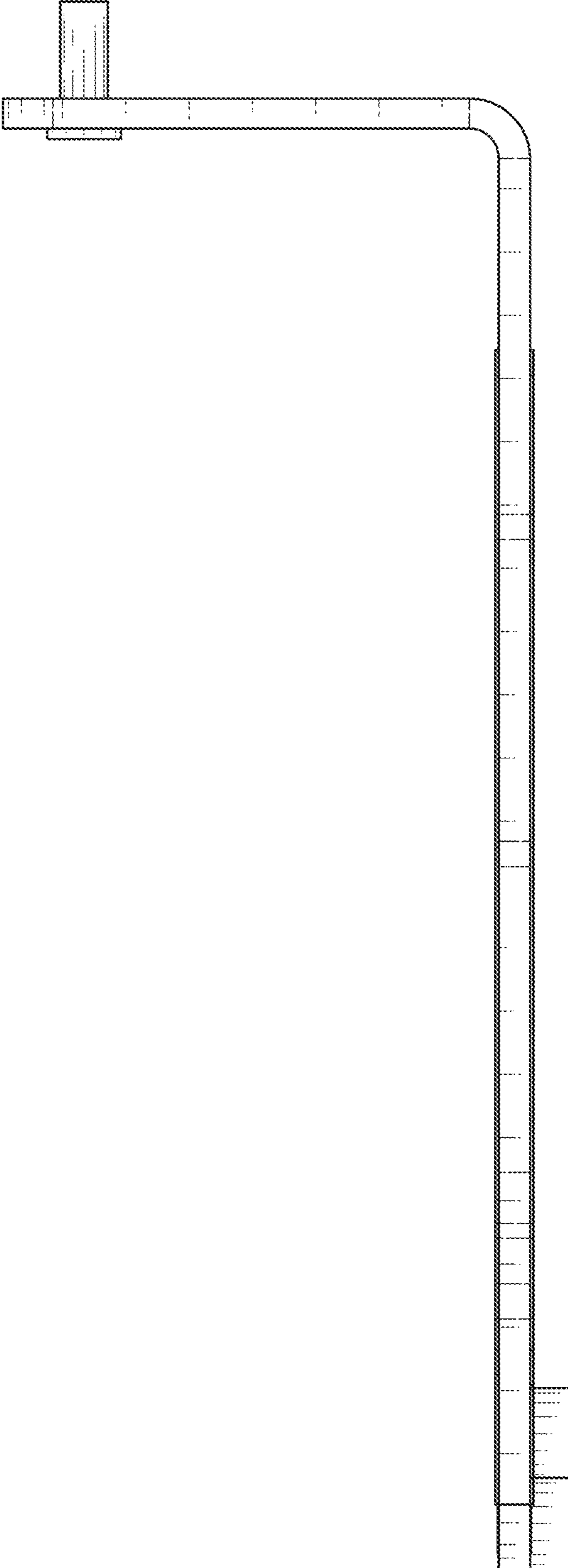


FIG. 2

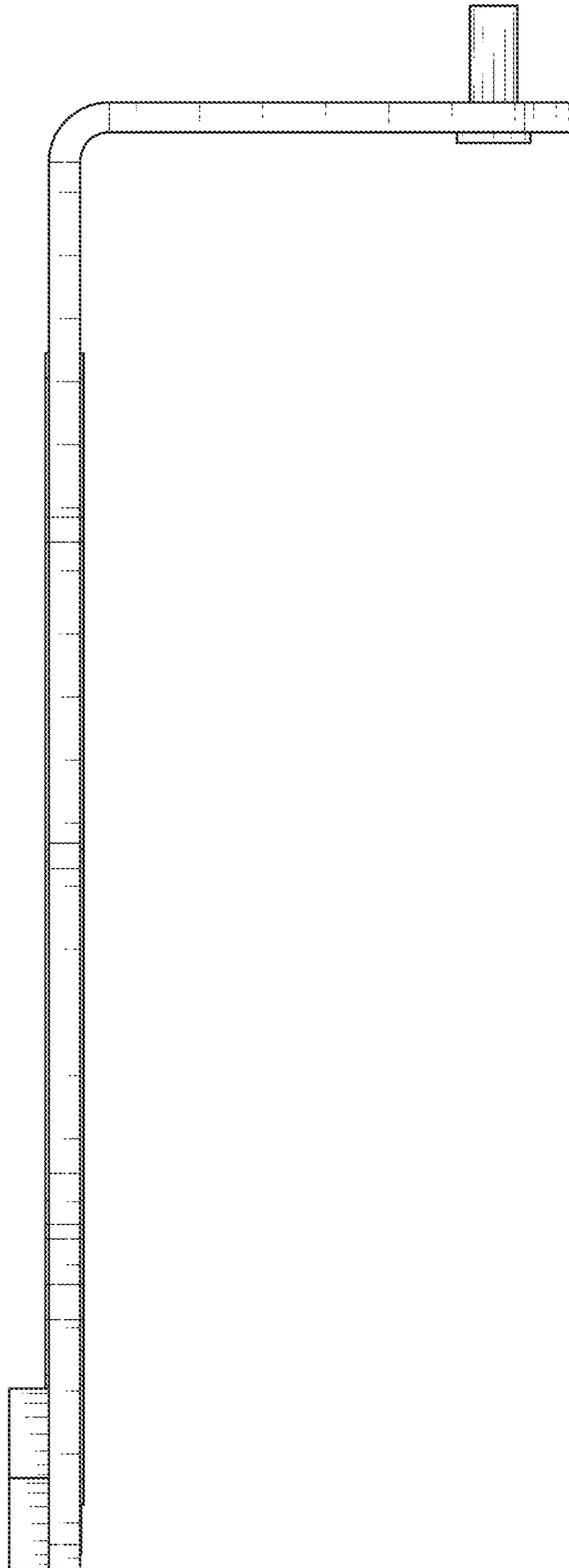


FIG. 3

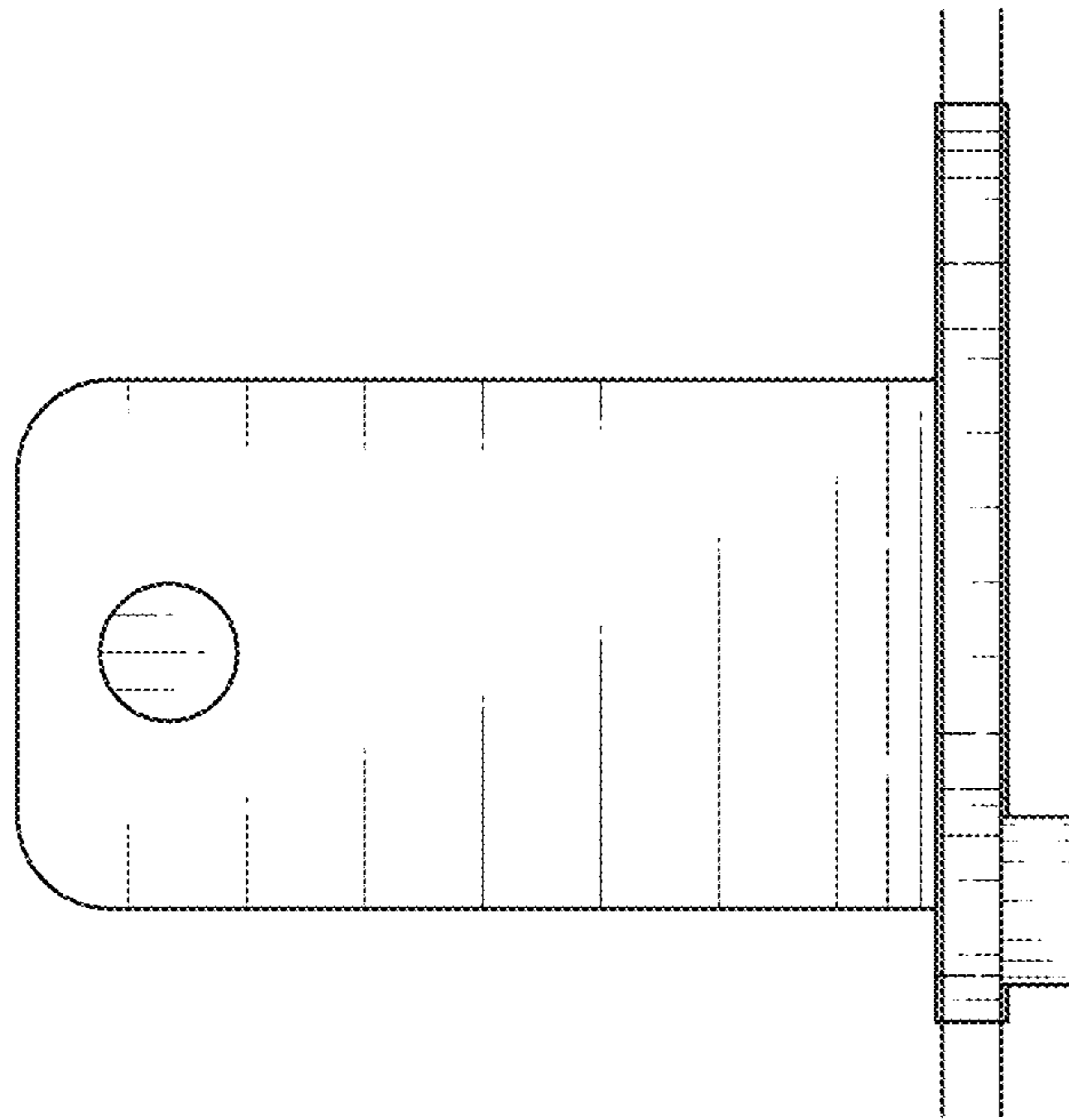


FIG. 4

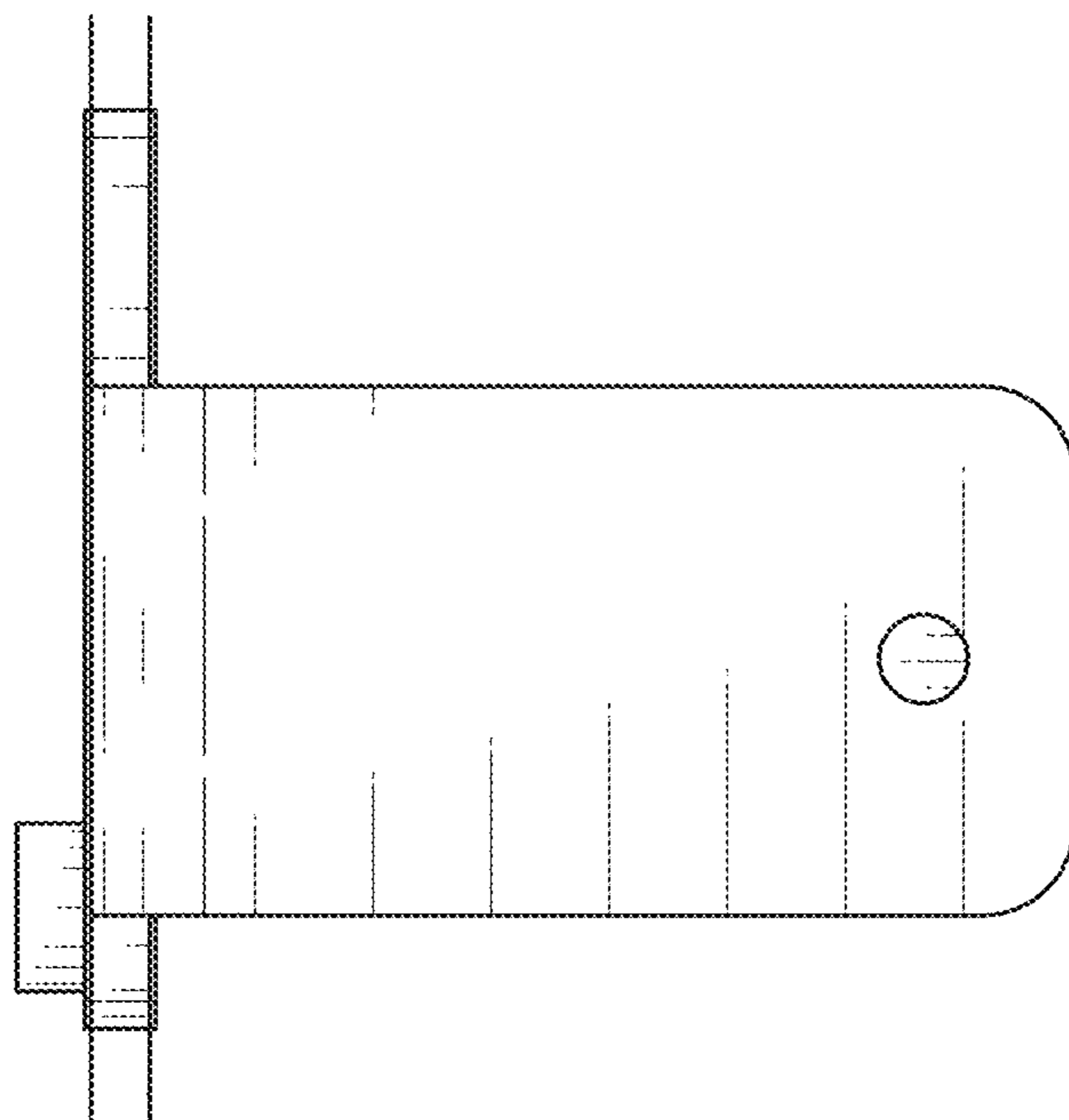


FIG. 5

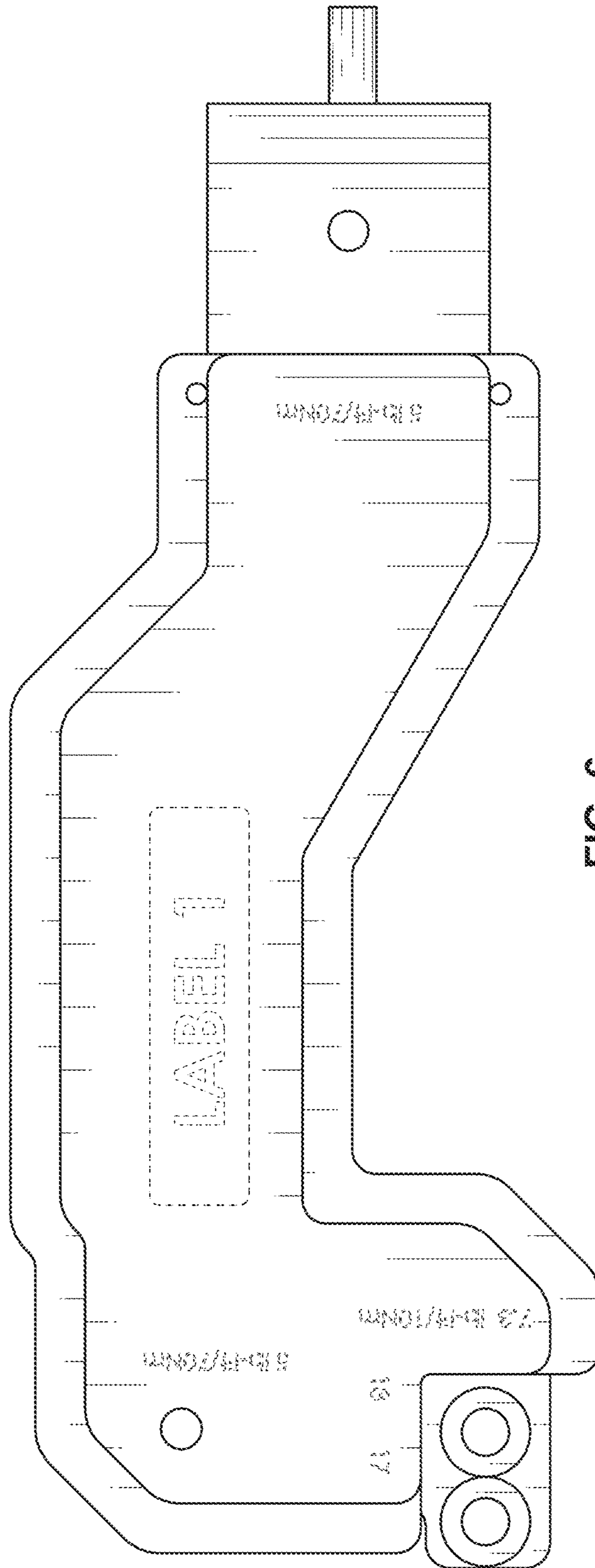


FIG. 6

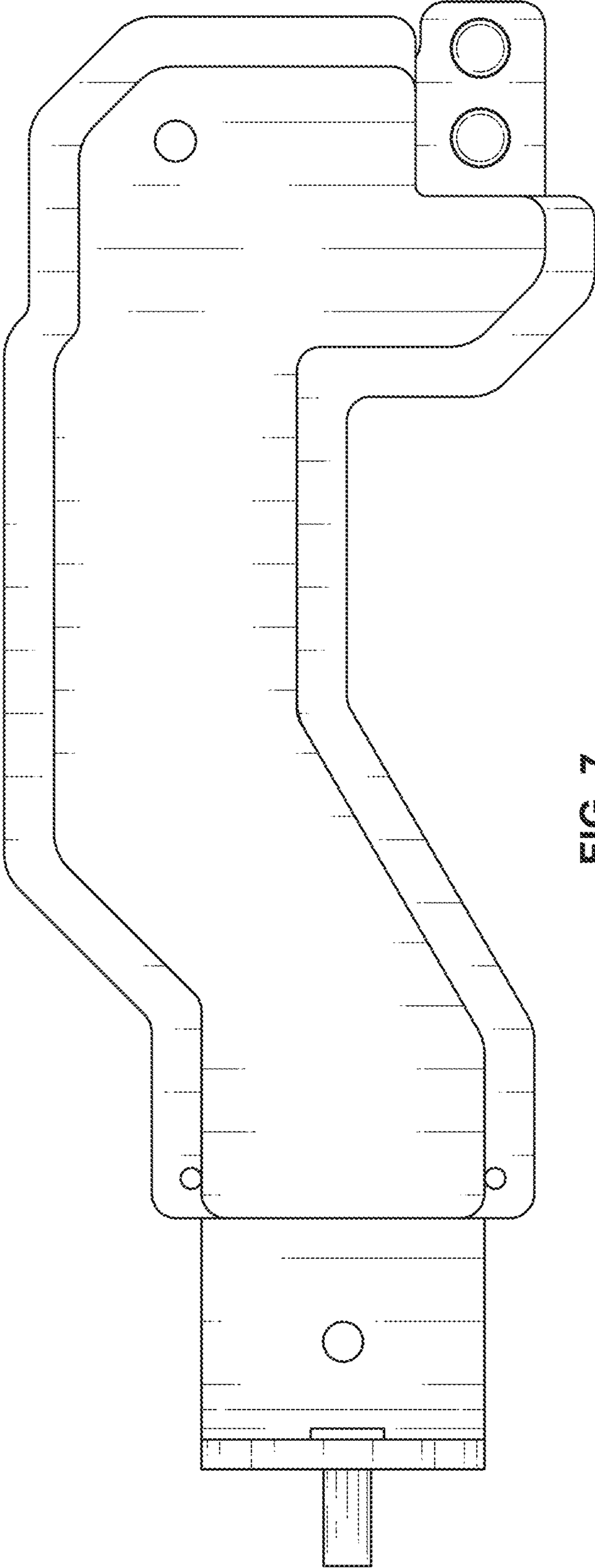


FIG. 7

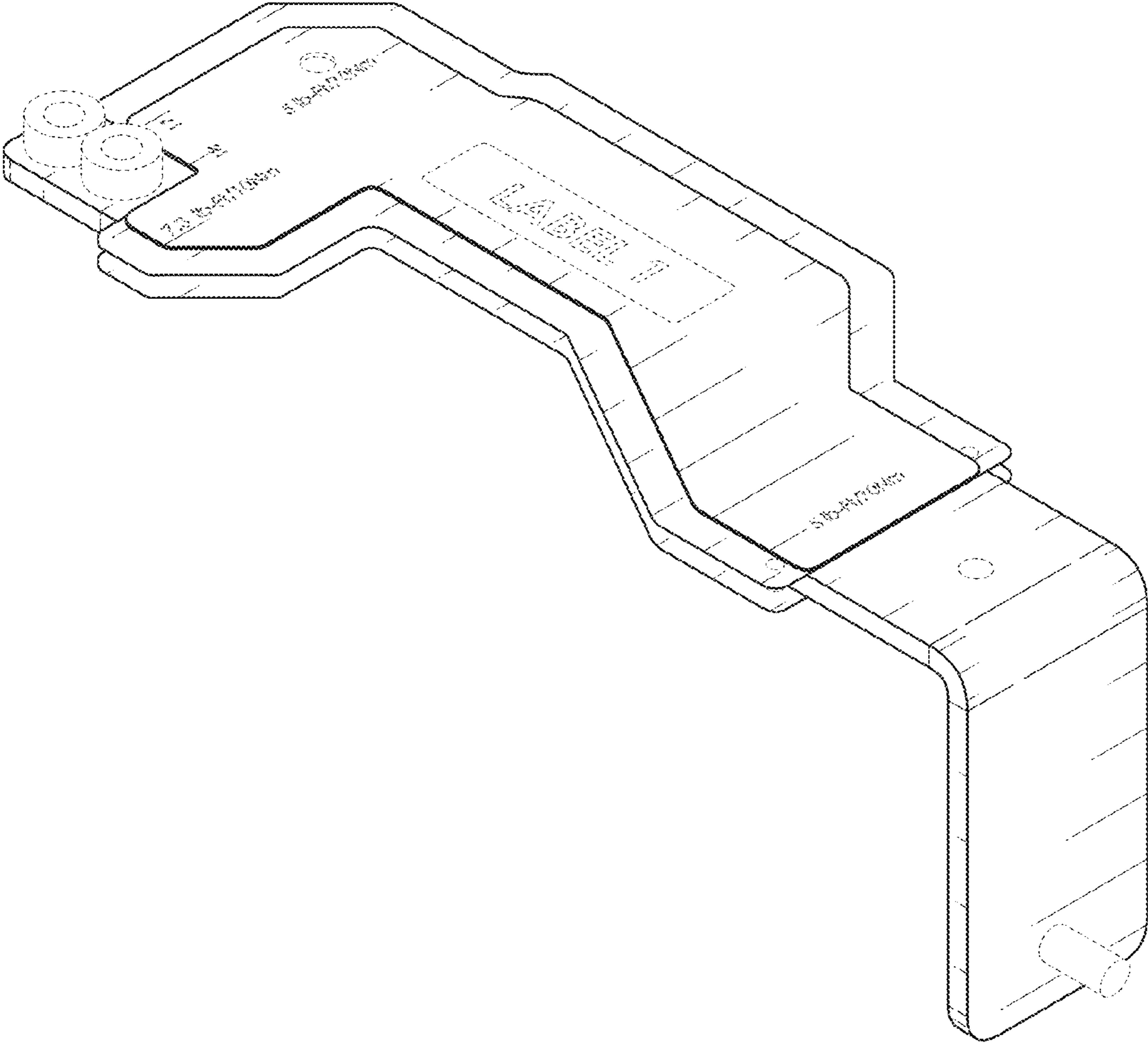


FIG. 8

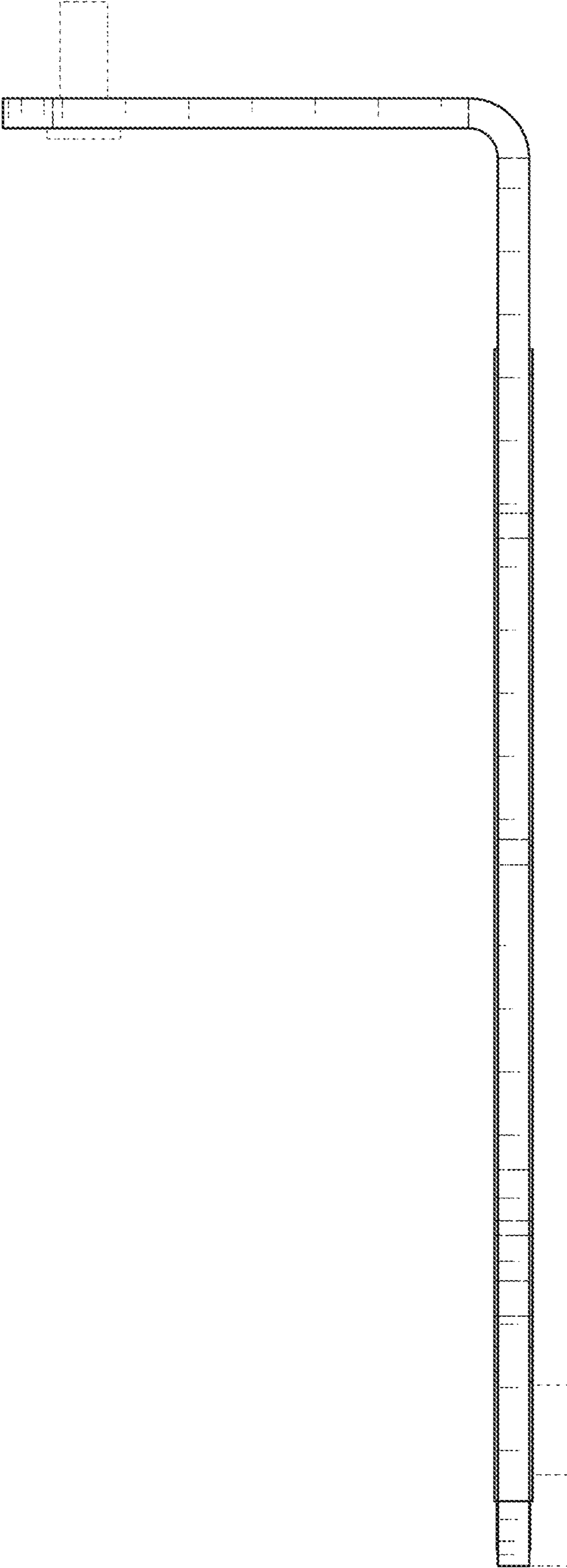


FIG. 9

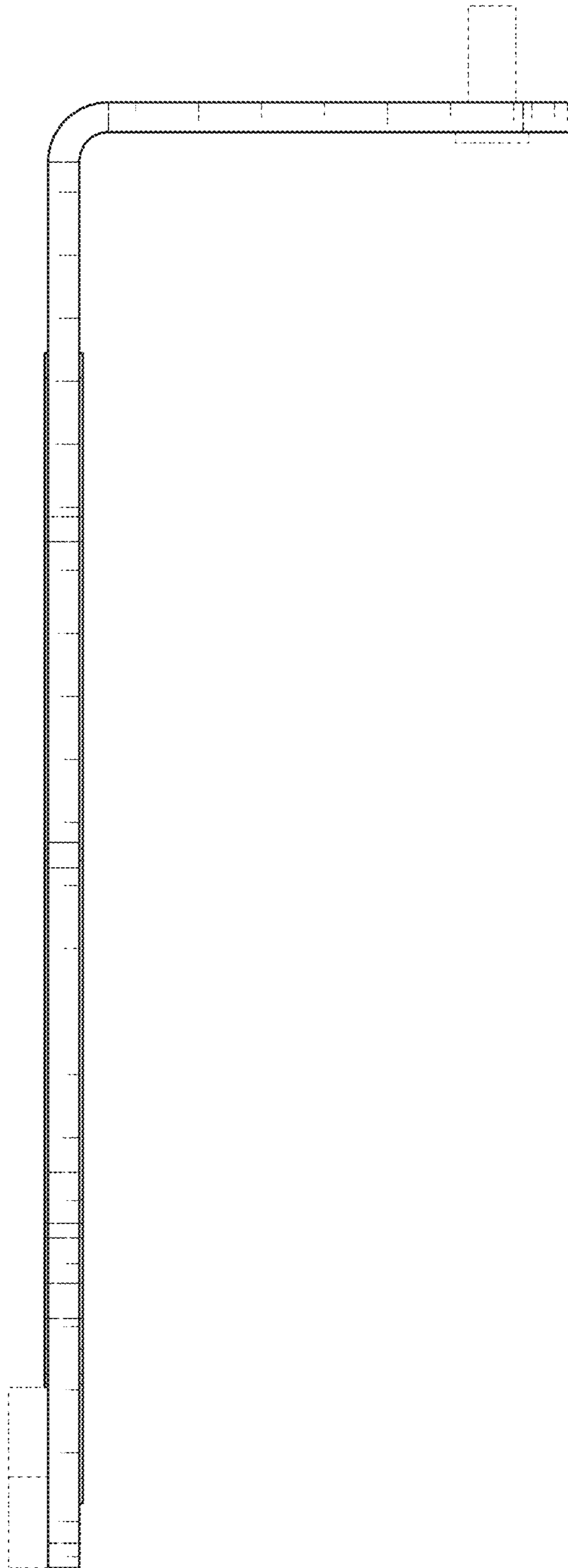


FIG. 10

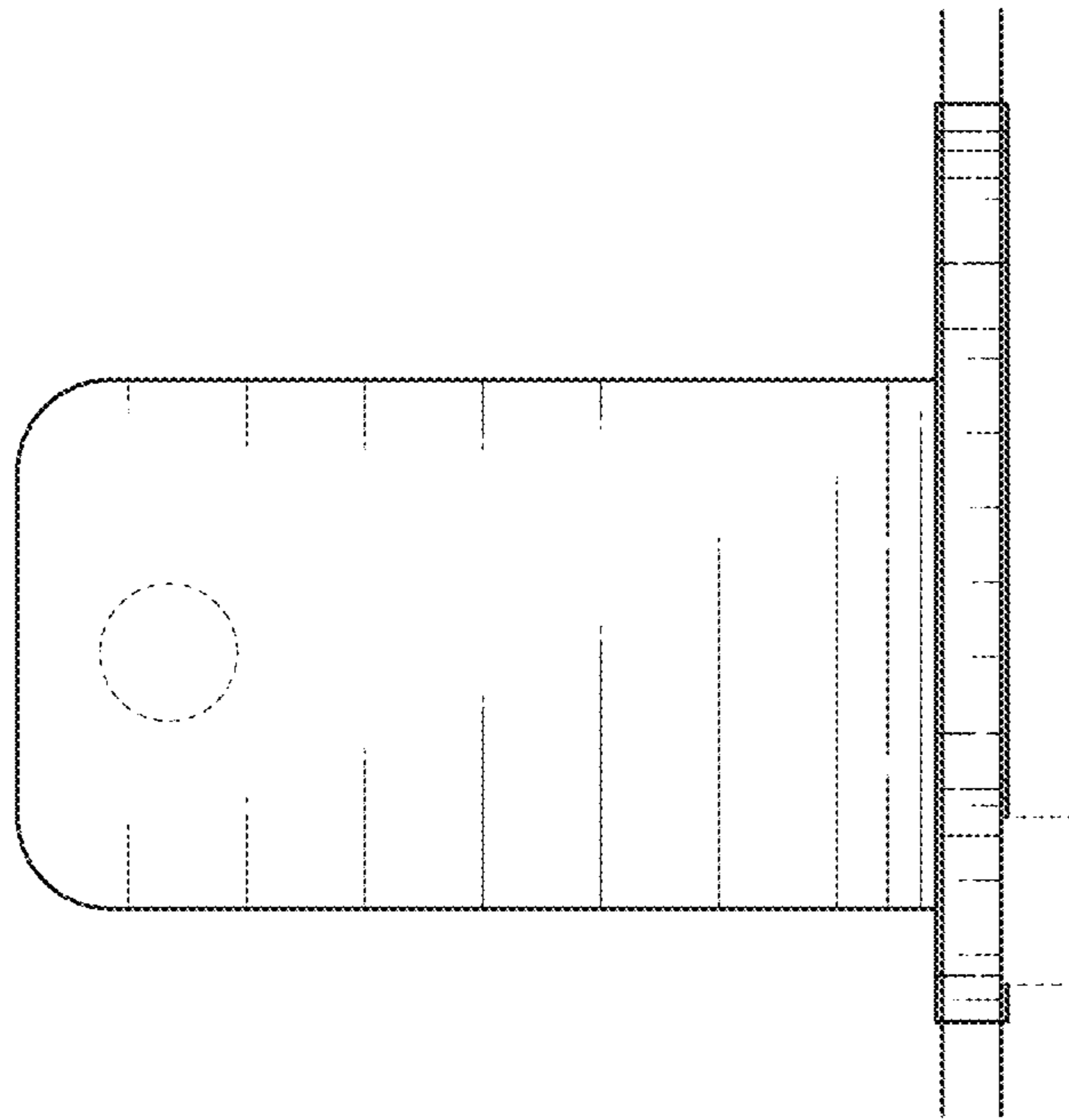


FIG. 11

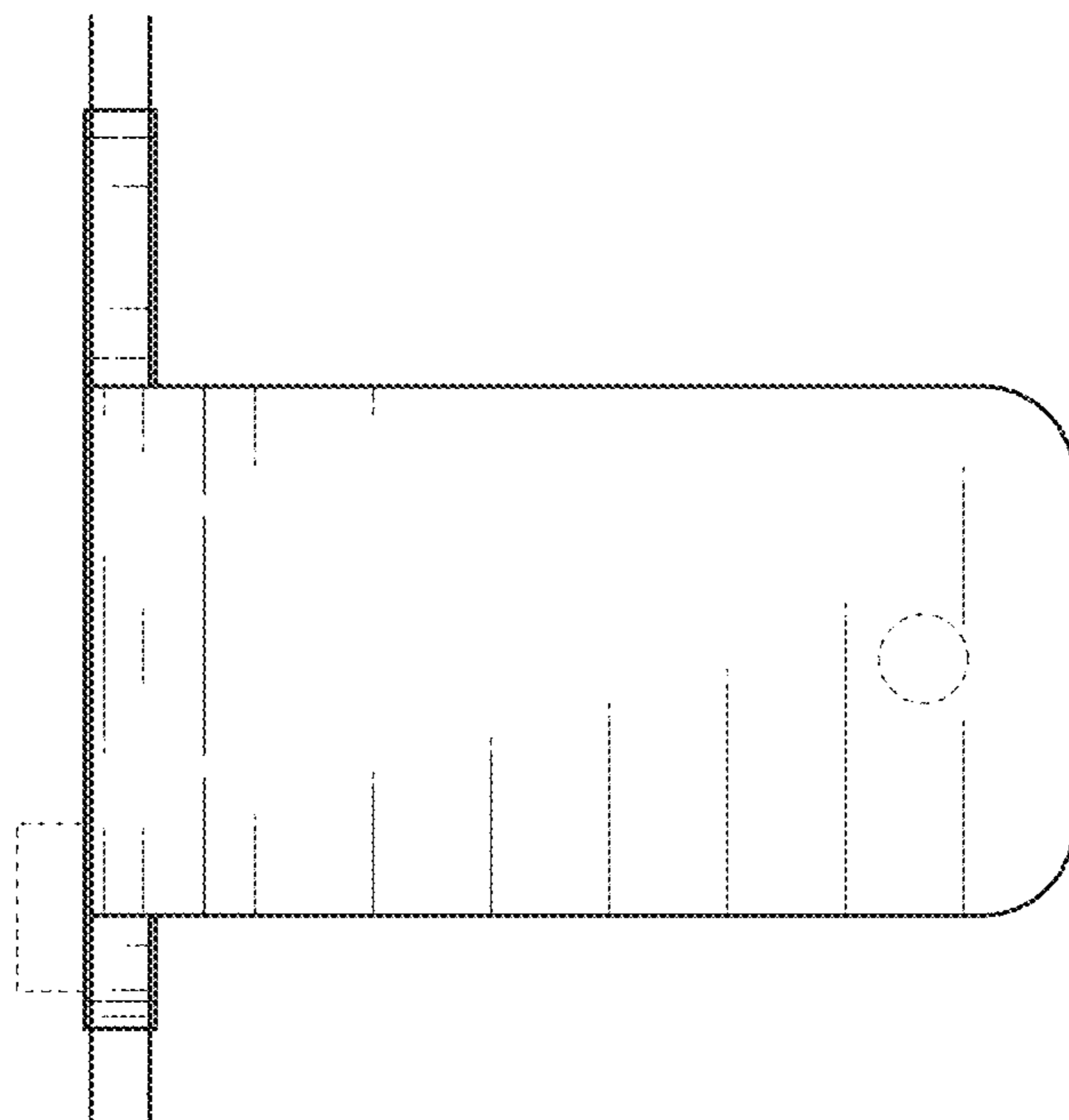


FIG. 12

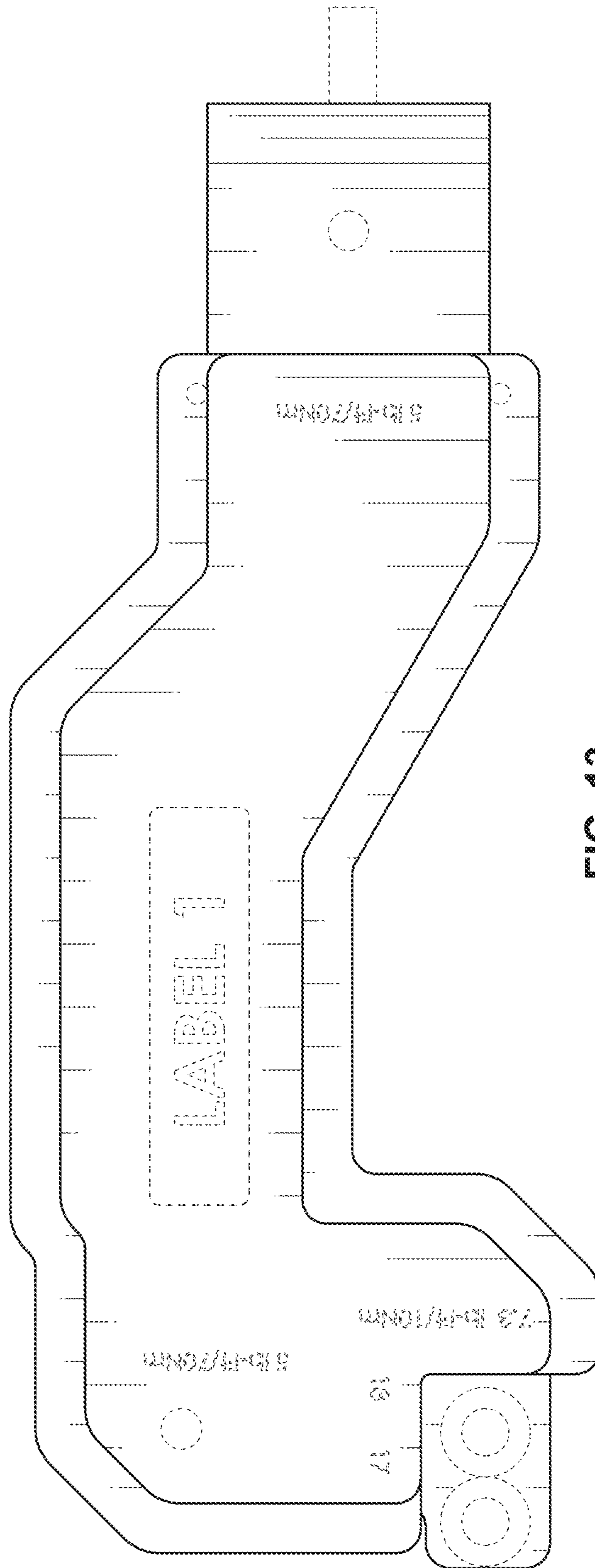


FIG. 13

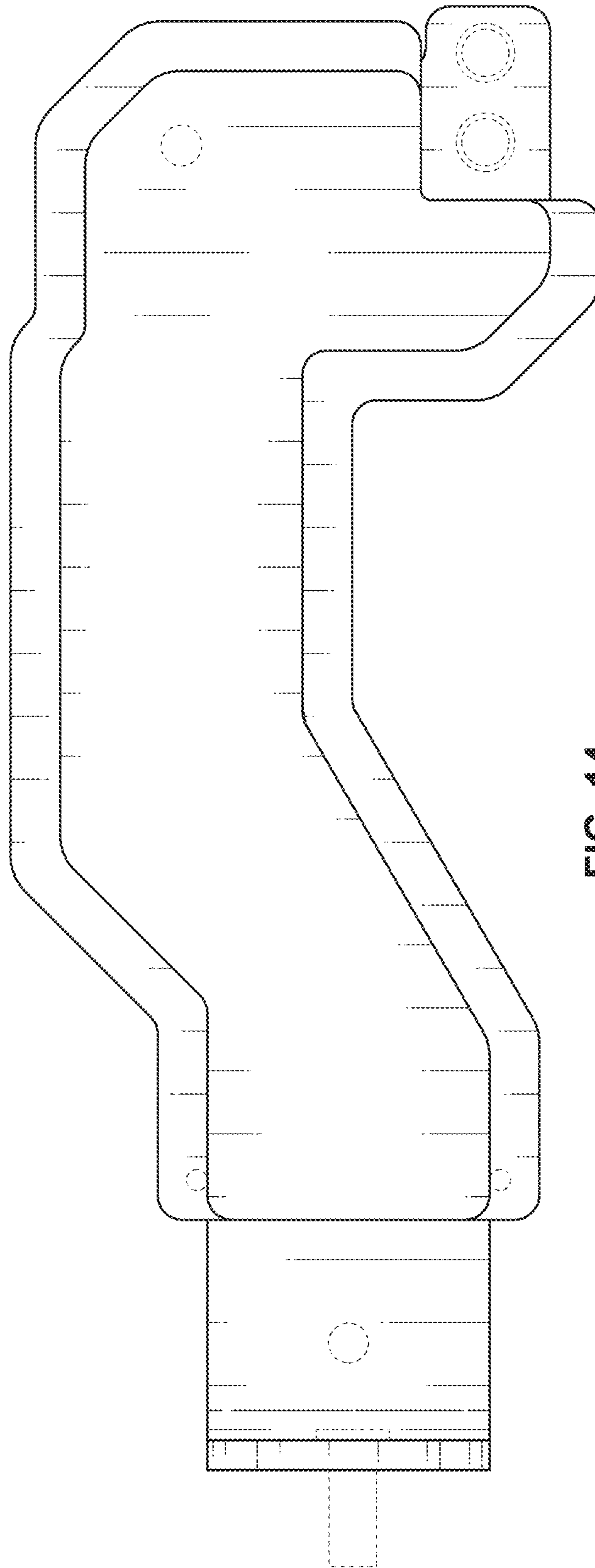


FIG. 14