



US00D955341S

(12) **United States Design Patent**
Inskeep et al.

(10) **Patent No.:** **US D955,341 S**
(45) **Date of Patent:** **** Jun. 21, 2022**

(54) **POWER INVERTER**

(71) Applicant: **VECTOR PRODUCTS, INC.**, Boca Raton, FL (US)

(72) Inventors: **Mathew Inskeep**, Highland Beach, FL (US); **Ling To Shum**, Boca Raton, FL (US)

(73) Assignee: **VECTOR PRODUCTS, INC.**, Boca Raton, FL (US)

(**) Term: **15 Years**

(21) Appl. No.: **29/724,226**

(22) Filed: **Feb. 13, 2020**

(51) **LOC (13) Cl.** **13-03**

(52) **U.S. Cl.**
USPC **D13/144**; D13/110

(58) **Field of Classification Search**
USPC D13/144, 108, 110, 107, 103; D12/114;
D14/155, 252; D27/141
CPC H02J 7/342; H01R 2201/26
See application file for complete search history.

(56) **References Cited**

U.S. PATENT DOCUMENTS

D435,242 S	*	12/2000	Yoshida	D13/110
D494,541 S	*	8/2004	Hriscu	D13/110
D701,838 S	*	4/2014	Esses	D13/110
D728,471 S	*	5/2015	Alesi	D13/110
D766,178 S	*	9/2016	Esses	D13/107
D823,800 S	*	7/2018	Inskeep	D13/110

D870,039 S	*	12/2019	Wang	D13/108
D904,980 S	*	12/2020	Inskeep	D13/110
D913,921 S	*	3/2021	Inskeep	D13/110
D926,124 S	*	7/2021	Zhu	D13/107
D942,931 S	*	2/2022	Fang	D13/110

OTHER PUBLICATIONS

HomeDepot.com. Vector 120 Watt Portable Car Power Inverter. Date published: Nov. 2021. Date accessed: Feb. 2022. [https://www.homedepot.com/p/Vector-120-Watt-Portable-Car-Power-Inverter-with-Dual-USB-Ports-PI120SV/313803244?MERCH=REC_-pipsem_-313803260_-313803244_-N&\(Year:2021\).](https://www.homedepot.com/p/Vector-120-Watt-Portable-Car-Power-Inverter-with-Dual-USB-Ports-PI120SV/313803244?MERCH=REC_-pipsem_-313803260_-313803244_-N&(Year:2021).)*

* cited by examiner

Primary Examiner — Jennifer O King
(74) *Attorney, Agent, or Firm* — Daniel S. Polley, P.A.

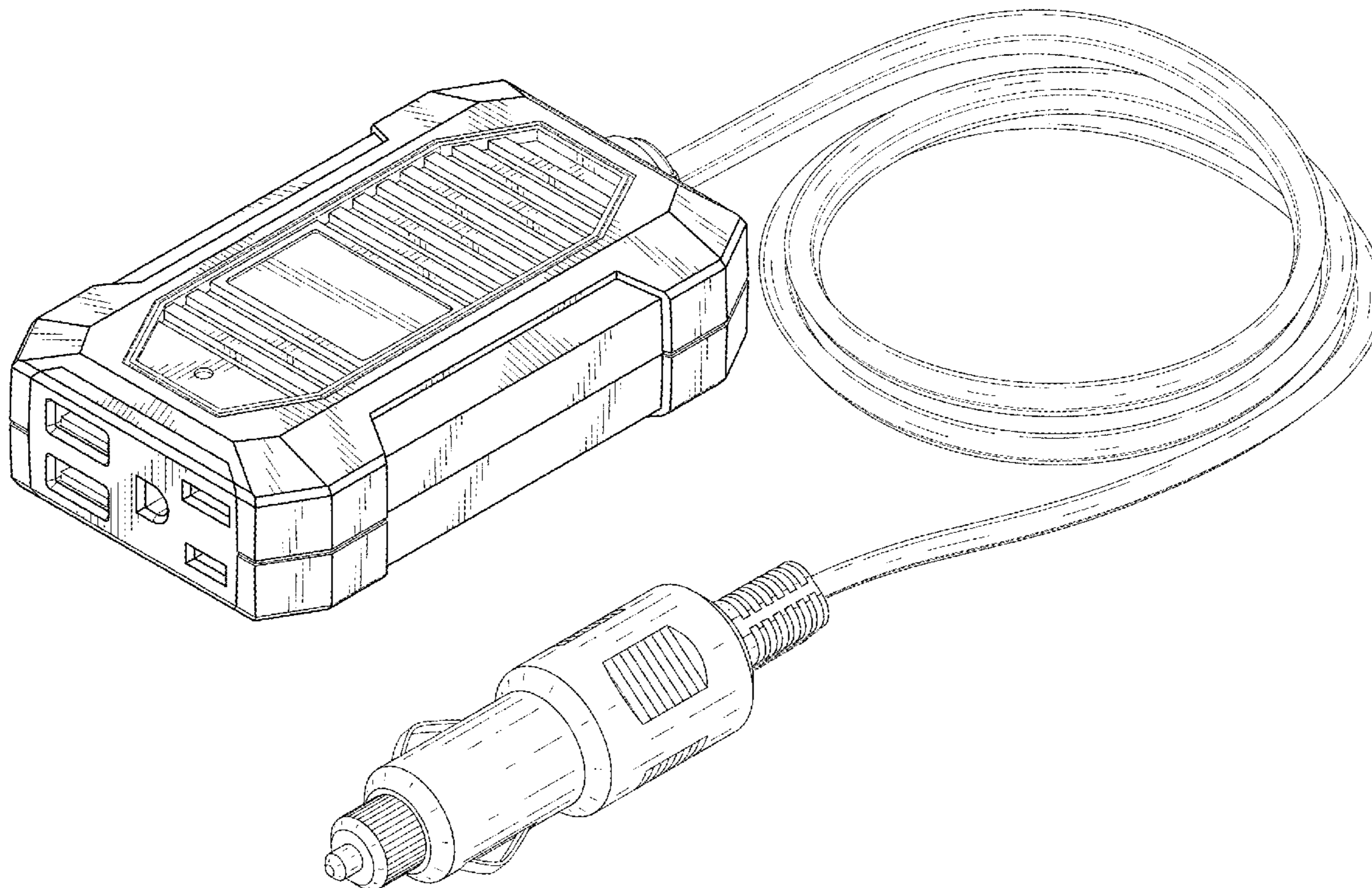
(57) **CLAIM**

The ornamental design for a power inverter, as shown and described.

DESCRIPTION

FIG. 1 is a top perspective view of the power inverter, showing the new design;
FIG. 2 is a bottom perspective view thereof;
FIG. 3 is a top view thereof;
FIG. 4 is a bottom view thereof;
FIG. 5 is a front side view thereof;
FIG. 6 is a back side view thereof;
FIG. 7 is a left side view thereof; and,
FIG. 8 is a right side view thereof.

1 Claim, 6 Drawing Sheets



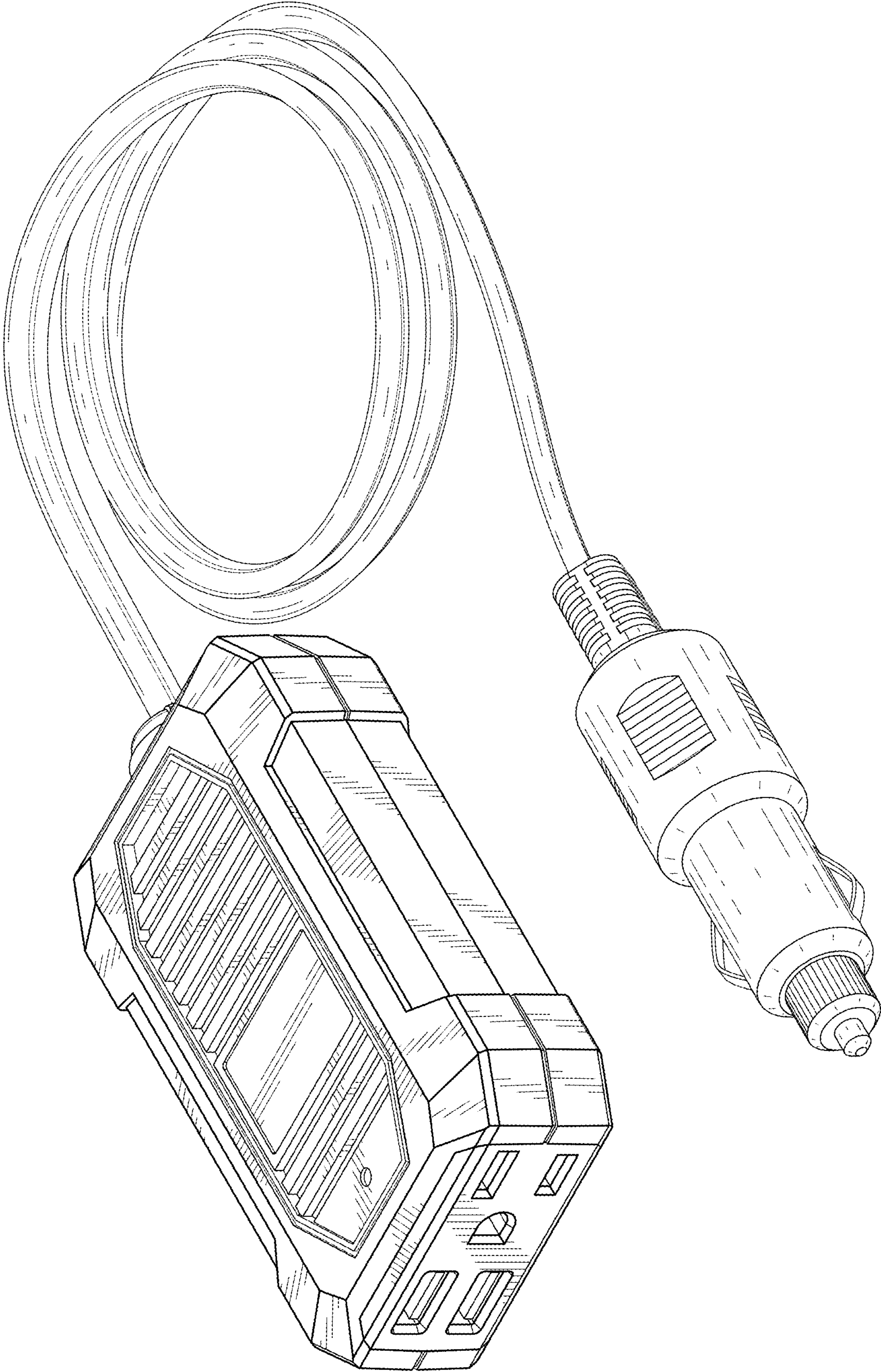


FIG. 1

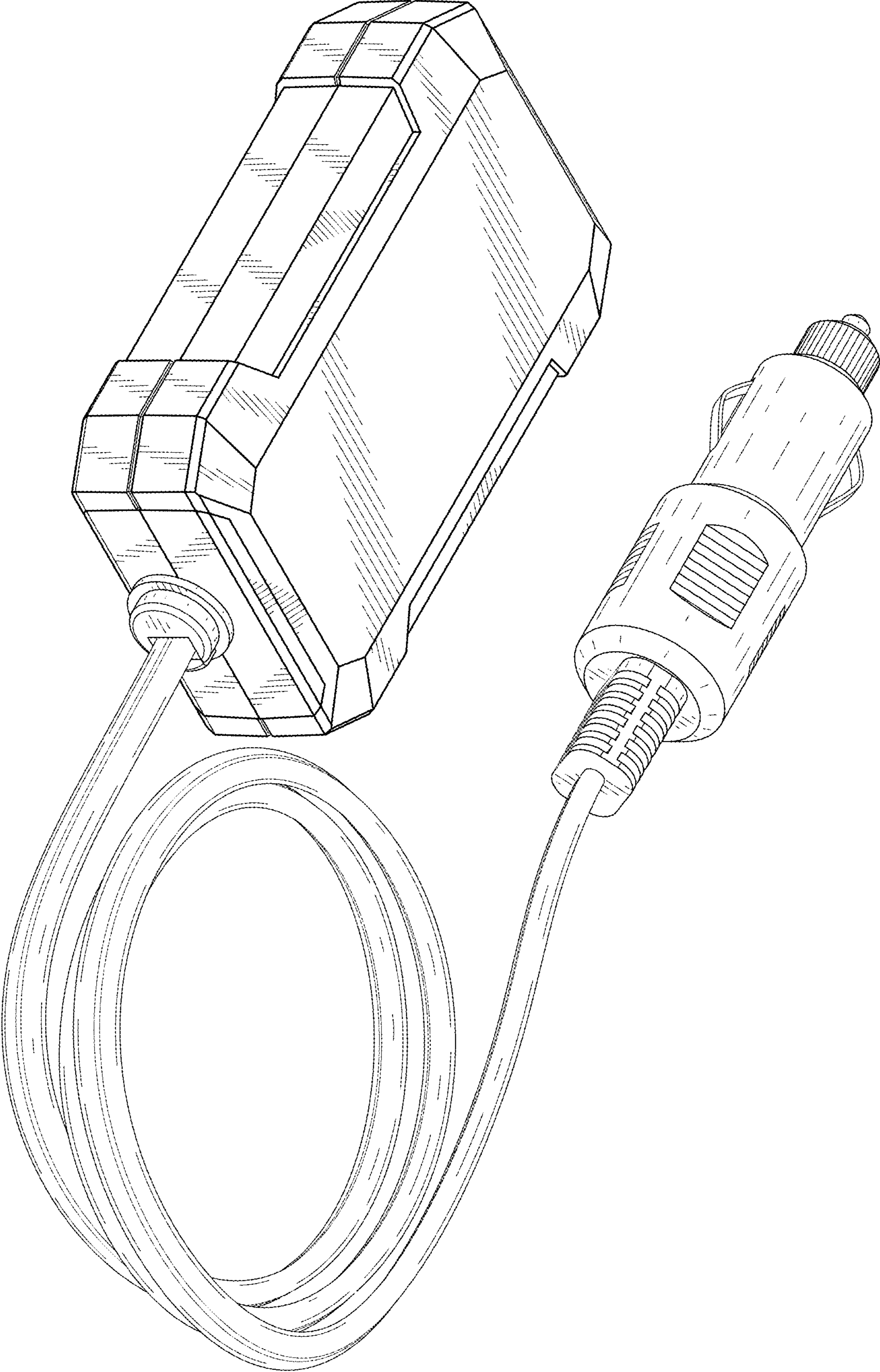


FIG. 2

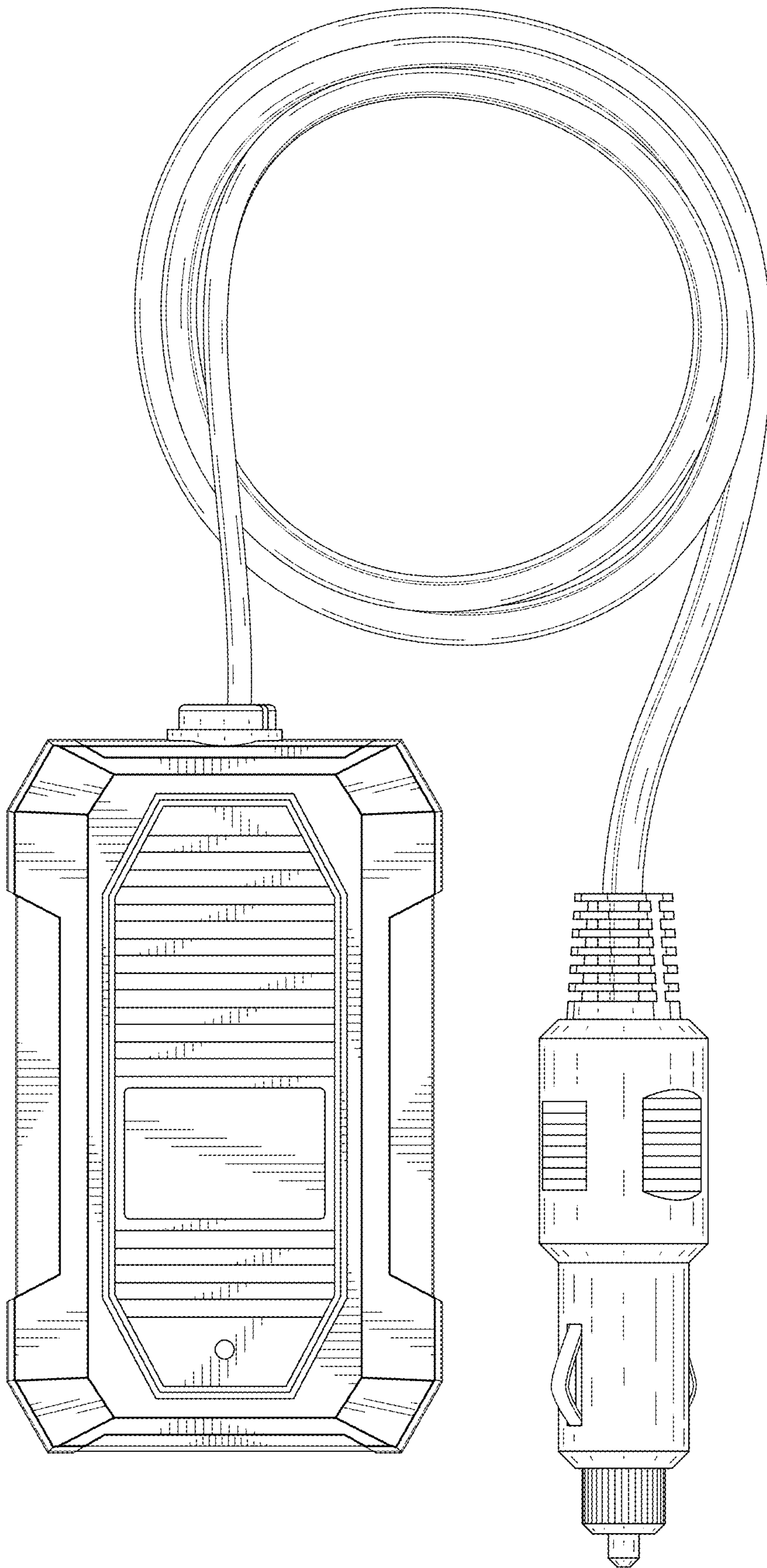


FIG. 3

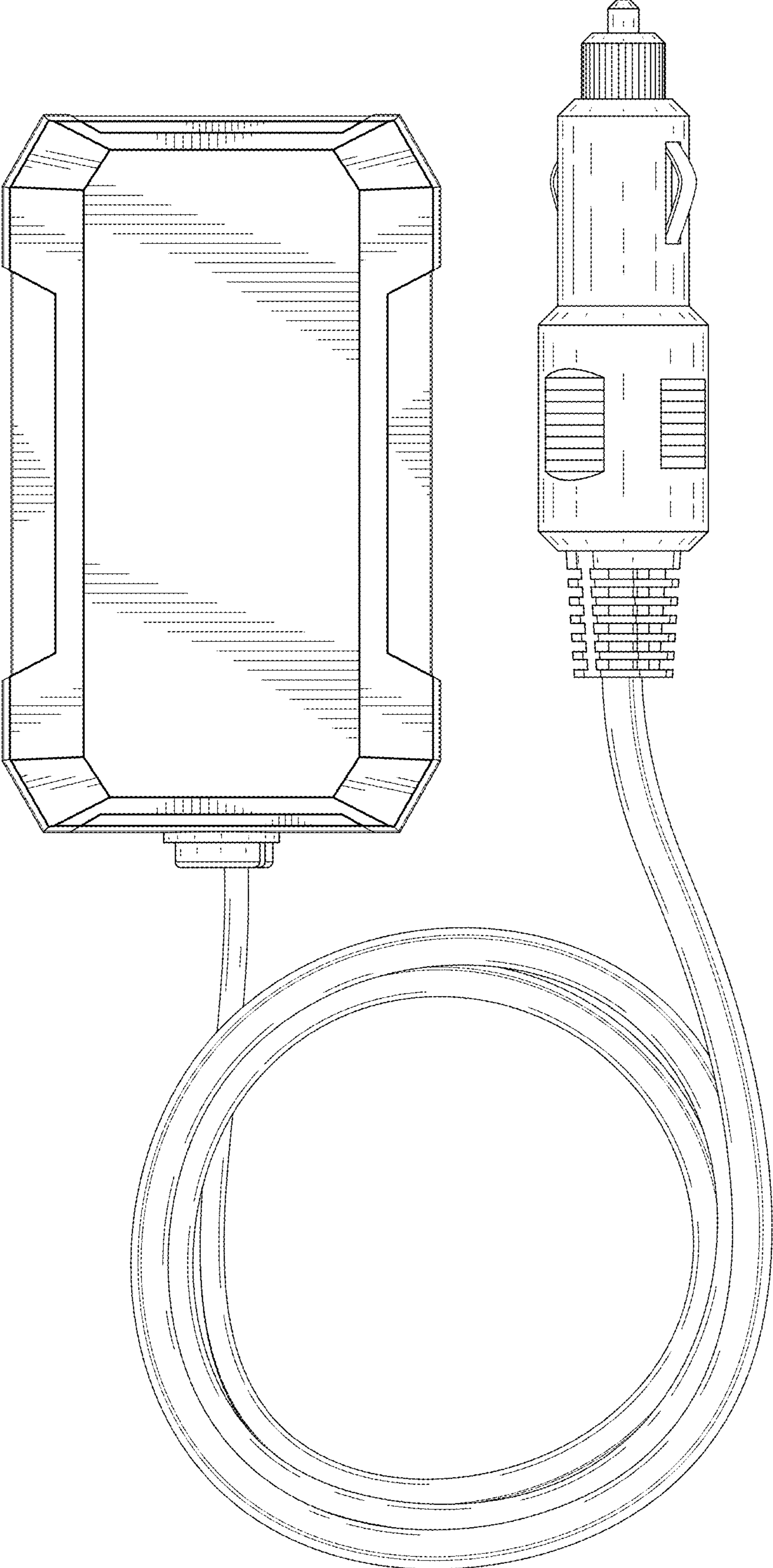


FIG. 4

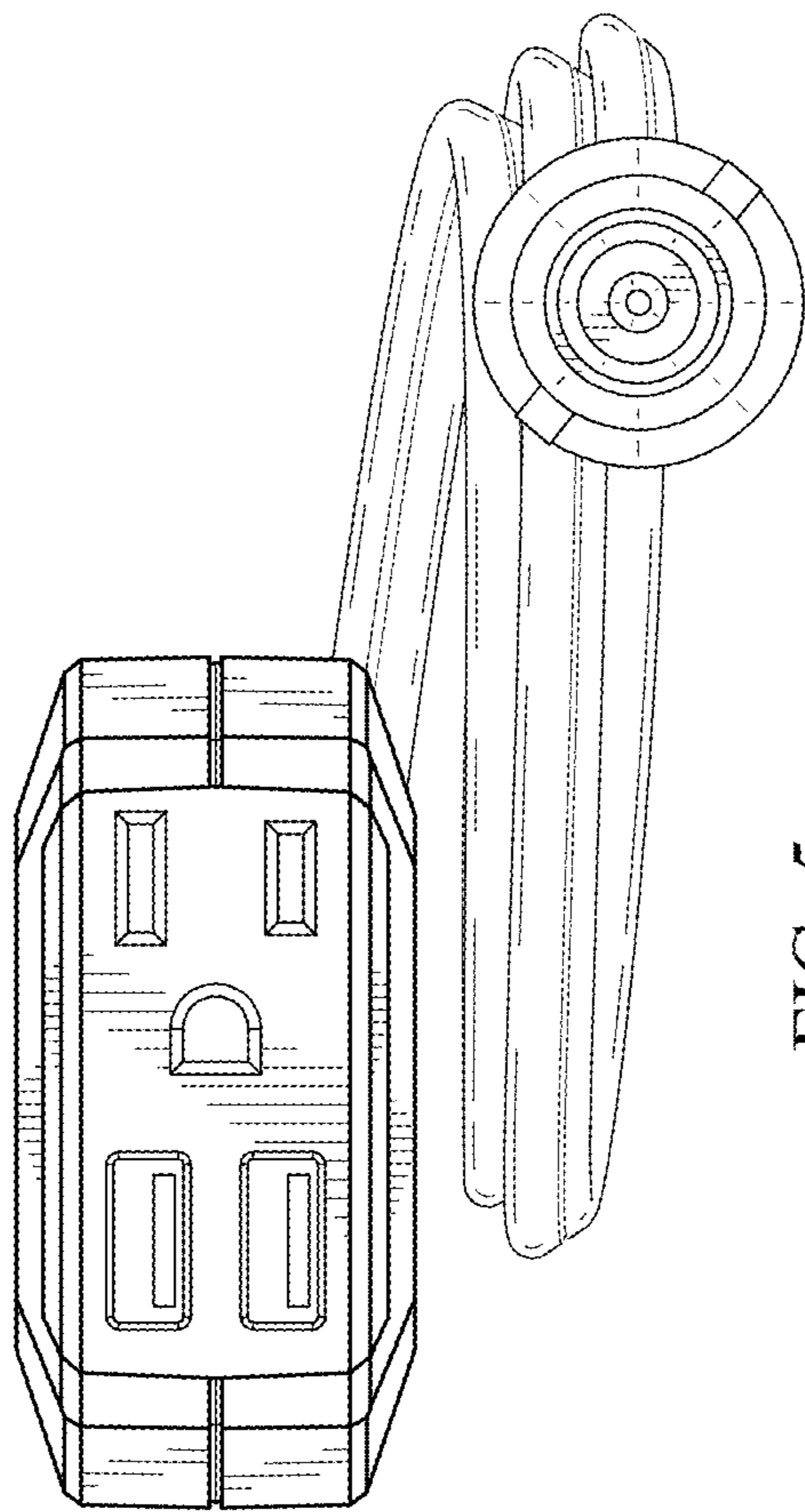


FIG. 5

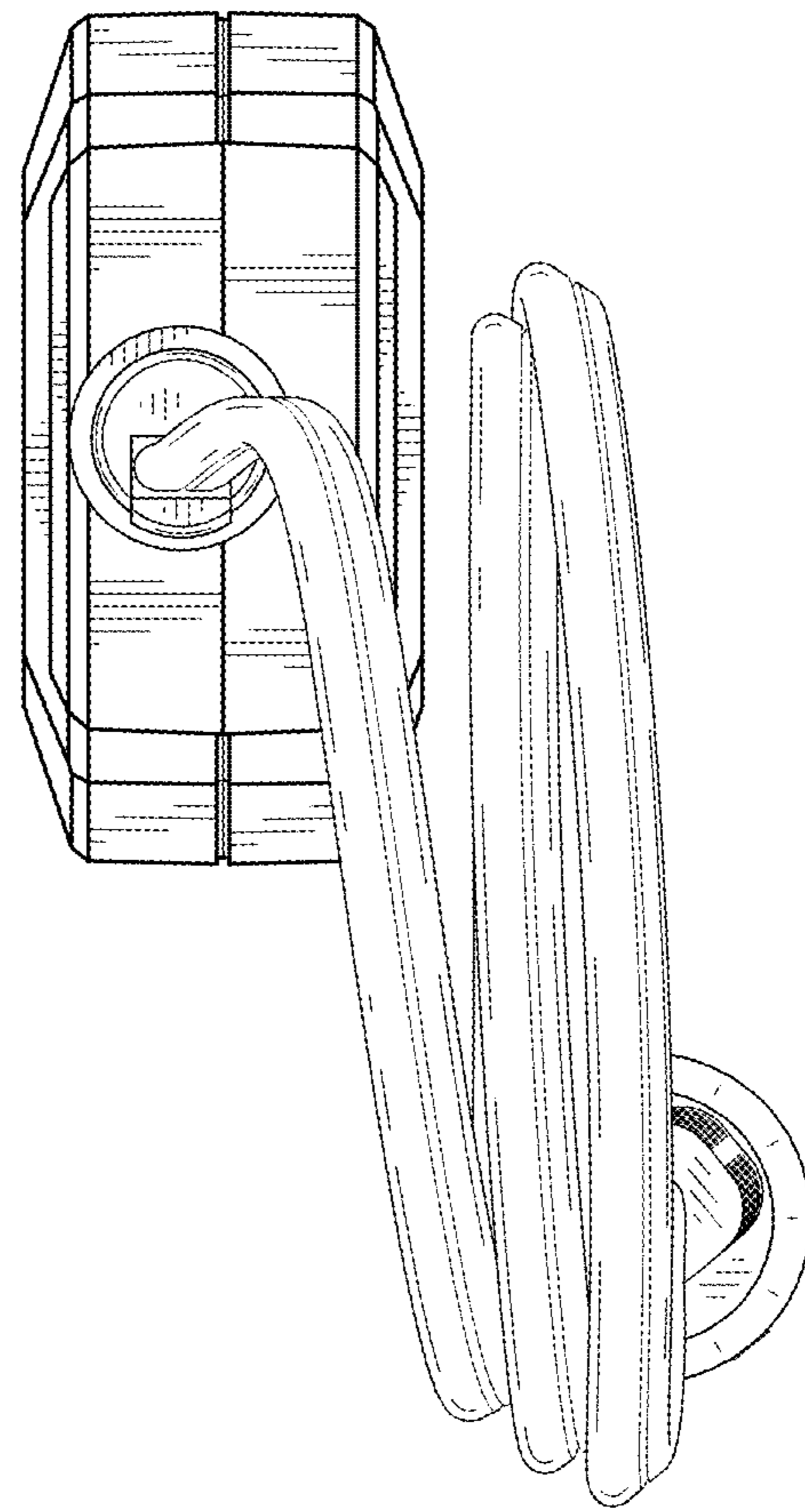


FIG. 6

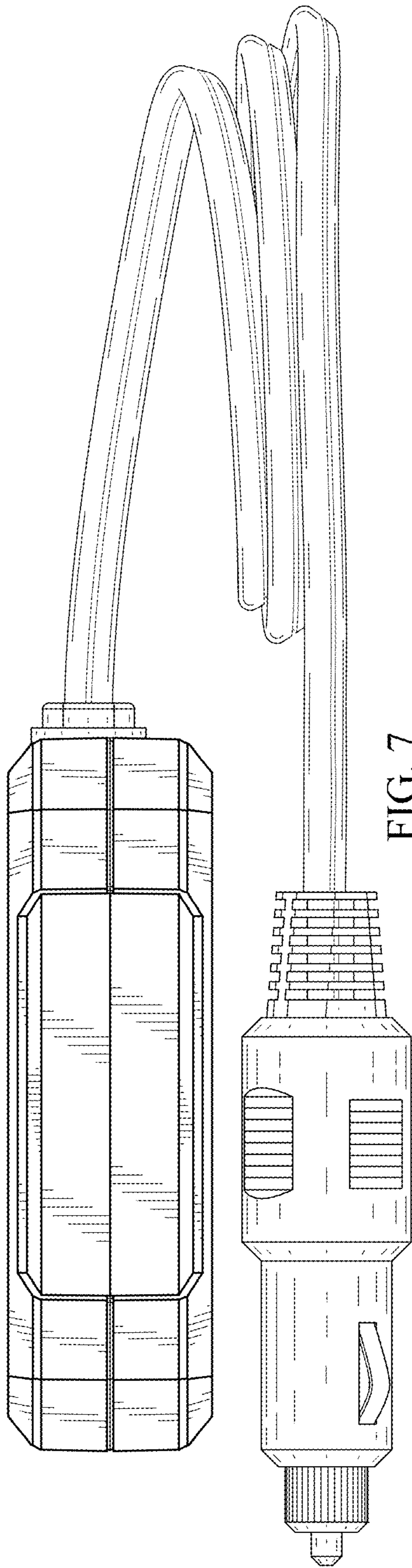


FIG. 7

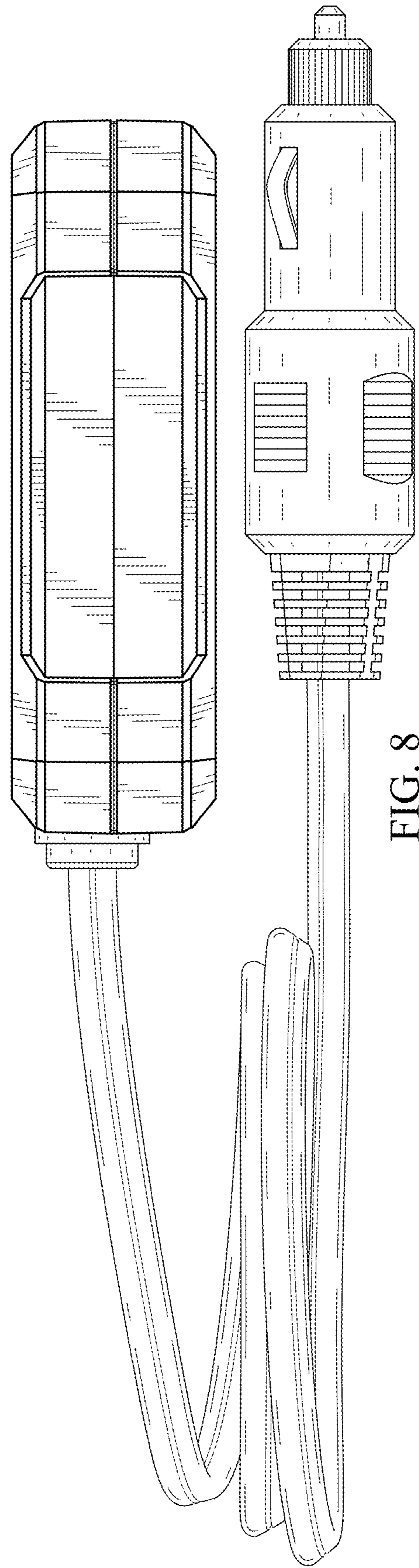


FIG. 8