



US00D955340S

(12) **United States Design Patent**  
**Fan**

(10) **Patent No.:** **US D955,340 S**  
(45) **Date of Patent:** **\*\* Jun. 21, 2022**

(54) **SMART SOCKET**

FOREIGN PATENT DOCUMENTS

(71) Applicant: **Shenzhen Lanhe Technologies Co., Ltd.**, Shenzhen (CN)

JP D1681869 \* 3/2021  
JP D1691056 \* 7/2021  
JP D1691347 \* 7/2021

(72) Inventor: **Junping Fan**, Guangdong (CN)

(73) Assignee: **SHENZHEN LANHE TECHNOLOGIES CO., LTD.**, Shenzhen (CN)

OTHER PUBLICATIONS

“Amazon Smart Plug, for home automation, Works with Alexa—A Certified for Humans Device”, first accessed Apr. 14, 2022. Amazon.com [https://www.amazon.com/dp/B089DR29T6] (Year: 2022).\*

(\*\*) Term: **15 Years**

(Continued)

(21) Appl. No.: **29/772,441**

*Primary Examiner* — Rosemary K Tarcza

(22) Filed: **Mar. 2, 2021**

*Assistant Examiner* — Seth David Kumpf

(74) *Attorney, Agent, or Firm* — Andrew C. Cheng

(30) **Foreign Application Priority Data**

Sep. 2, 2020 (CN) ..... 202030514474.4

(51) **LOC (13) Cl.** ..... **13-03**

(52) **U.S. Cl.**  
USPC ..... **D13/139.1**

(58) **Field of Classification Search**

USPC ... D13/123, 133, 137.1, 137.2, 137.3, 137.4, D13/138.1, 138.2, 139.1, 139.2, 139.3, D13/139.4, 139.5, 139.6, 139.7, 139.8, D13/151, 152, 153, 154, 155, 156, 157, D13/158, 159, 184, 199, 103, 107, 108  
CPC ..... H01R 13/00; H01R 13/03; H01R 13/04; H01R 13/10; H01R 13/35; H01R 13/44; H01R 13/453; H01R 13/4534; H01R 13/502; H01R 13/514; H01R 13/631; H01R 13/6633; H01R 13/6666; H01R 13/6675; H01R 13/7135; H01R 31/02; H01R 31/06; H01R 31/065

See application file for complete search history.

(56) **References Cited**

U.S. PATENT DOCUMENTS

D560,609 S \* 1/2008 Rosenthal ..... D13/139.4  
D845,900 S \* 4/2019 Liu ..... D13/137.2

(Continued)

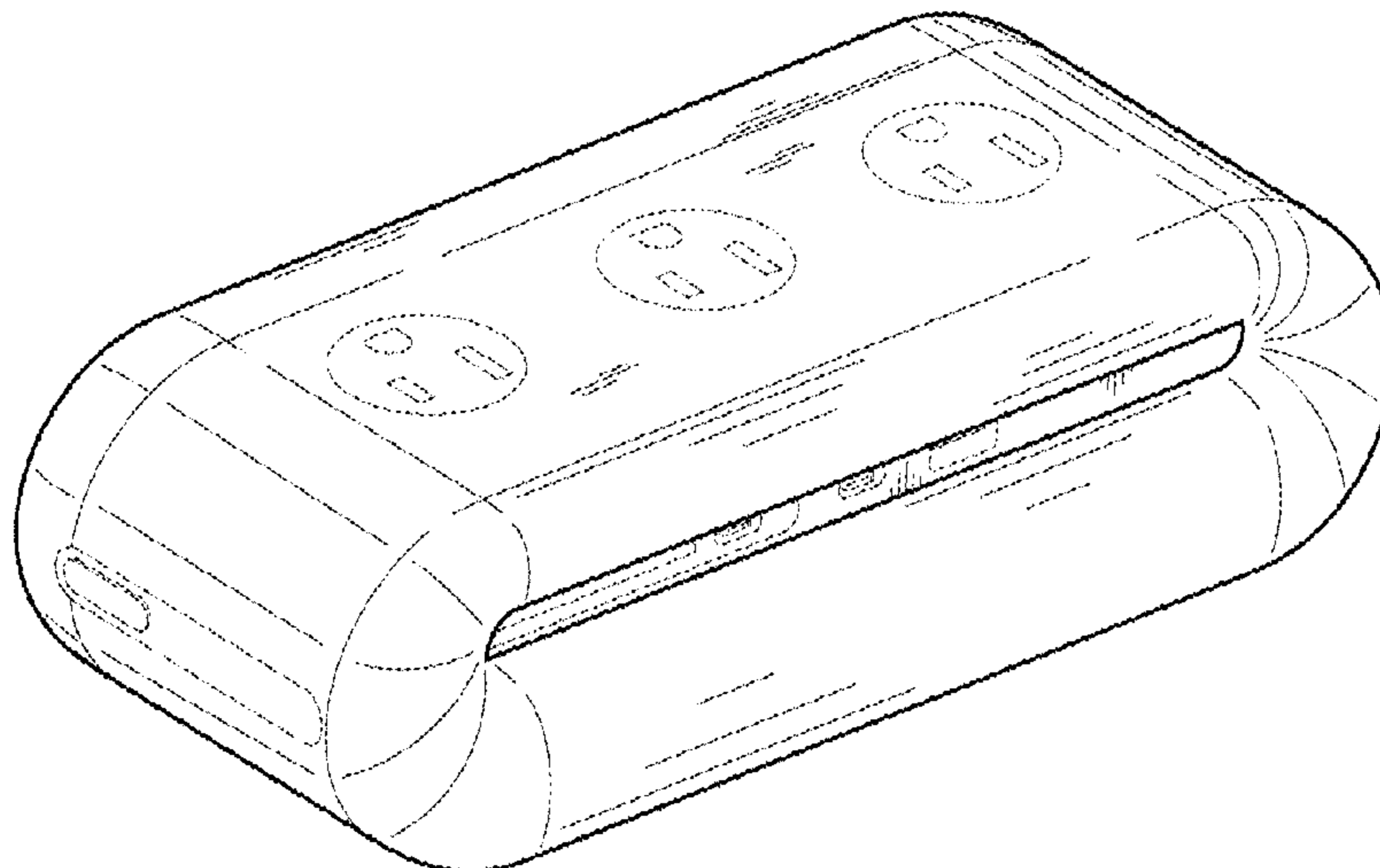
(57) **CLAIM**

I claim the ornamental design for a smart socket, as shown and described.

**DESCRIPTION**

FIG. 1 is a front, right and top perspective view of a smart socket according to my new design;  
FIG. 2 is a front, left and top side perspective view of the smart socket of FIG. 1;  
FIG. 3 is a front elevational view of the smart socket of FIG. 2;  
FIG. 4 is a rear elevational view of the smart socket of FIG. 2;  
FIG. 5 is a left side view of the smart socket of FIG. 2;  
FIG. 6 is a right side view of the smart socket of FIG. 2;  
FIG. 7 is a top plan view of the smart socket of FIG. 2; and  
FIG. 8 is a bottom plan view of the smart socket of FIG. 2.  
The broken lines depict portions of the smart socket in which the design is embodied that form no part of the claimed design.

**1 Claim, 8 Drawing Sheets**



(56)

**References Cited**

## U.S. PATENT DOCUMENTS

D848,948 S \* 5/2019 Wei ..... D13/137.2  
D849,686 S \* 5/2019 Byrne ..... D13/137.2  
D861,613 S \* 10/2019 Dai ..... D13/137.2  
D867,996 S \* 11/2019 Chen ..... D13/137.2  
D874,403 S \* 2/2020 Canizares ..... D13/137.2  
D878,300 S \* 3/2020 Lyu ..... D13/139.8  
D883,217 S \* 5/2020 Zheng ..... D13/137.1  
D903,600 S \* 12/2020 Tseng ..... D13/139.7  
D903,601 S \* 12/2020 Tseng ..... D13/137.2  
D911,969 S \* 3/2021 Canizares ..... D13/137.2  
D923,576 S \* 6/2021 Lyu ..... D13/137.2  
D930,591 S \* 9/2021 Rupert ..... D13/137.1  
D934,177 S \* 10/2021 Canizares ..... D13/137.2  
2017/0093104 A1 \* 3/2017 Powers ..... H01R 31/06

## OTHER PUBLICATIONS

“Meross Smart Wi-Fi Dual Plug, 15A Smart 2-in-1 Outlet, Support Apple HomeKit, Siri, Alexa, Echo, Google Assistant and Smart-Things, Voice & Remote Control, Timer, No Hub Required, 2.4G Only, 2 Pack”, first available May 10, 2020. Amazon.com [<https://www.amazon.com/dp/B088FCQHF8>] (Year: 2020).\*

“Kasa Smart Plug HS103P2, Smart Home Wi-Fi Outlet Works with Alexa, Echo, Google Home & IFTTT, No Hub Required, Remote Control, 15 Amp, UL Certified, 2-Pack White”, first available Mar. 6, 2018. Amazon.com [<https://www.amazon.com/dp/B07B8W2KHZ>] (Year: 2018).\*

“Smart Plug Extender, Dual WiFi Outlet Works with Alexa and Google Home, Surge Protector Mini Socket Plug-in Remote Control and Timer Function, ETL FCC Listed, 2.4G Wi-Fi Only, 10A 1200W, 2-Pack, White”, first available Nov. 26, 2021. Amazon.com [<https://www.amazon.com/dp/B09MLSYH19>] (Year: 2021).\*

\* cited by examiner

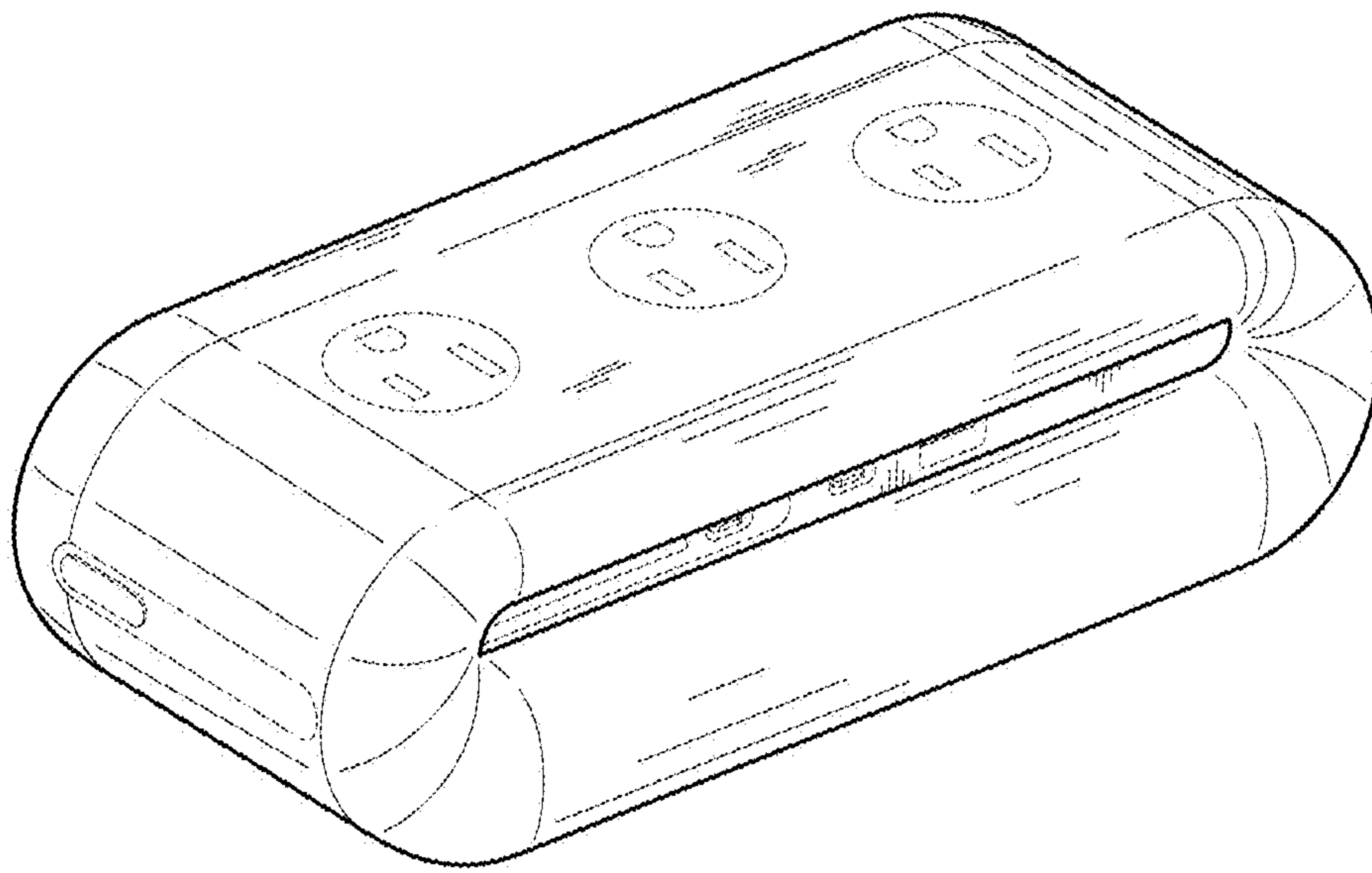


FIG. 1

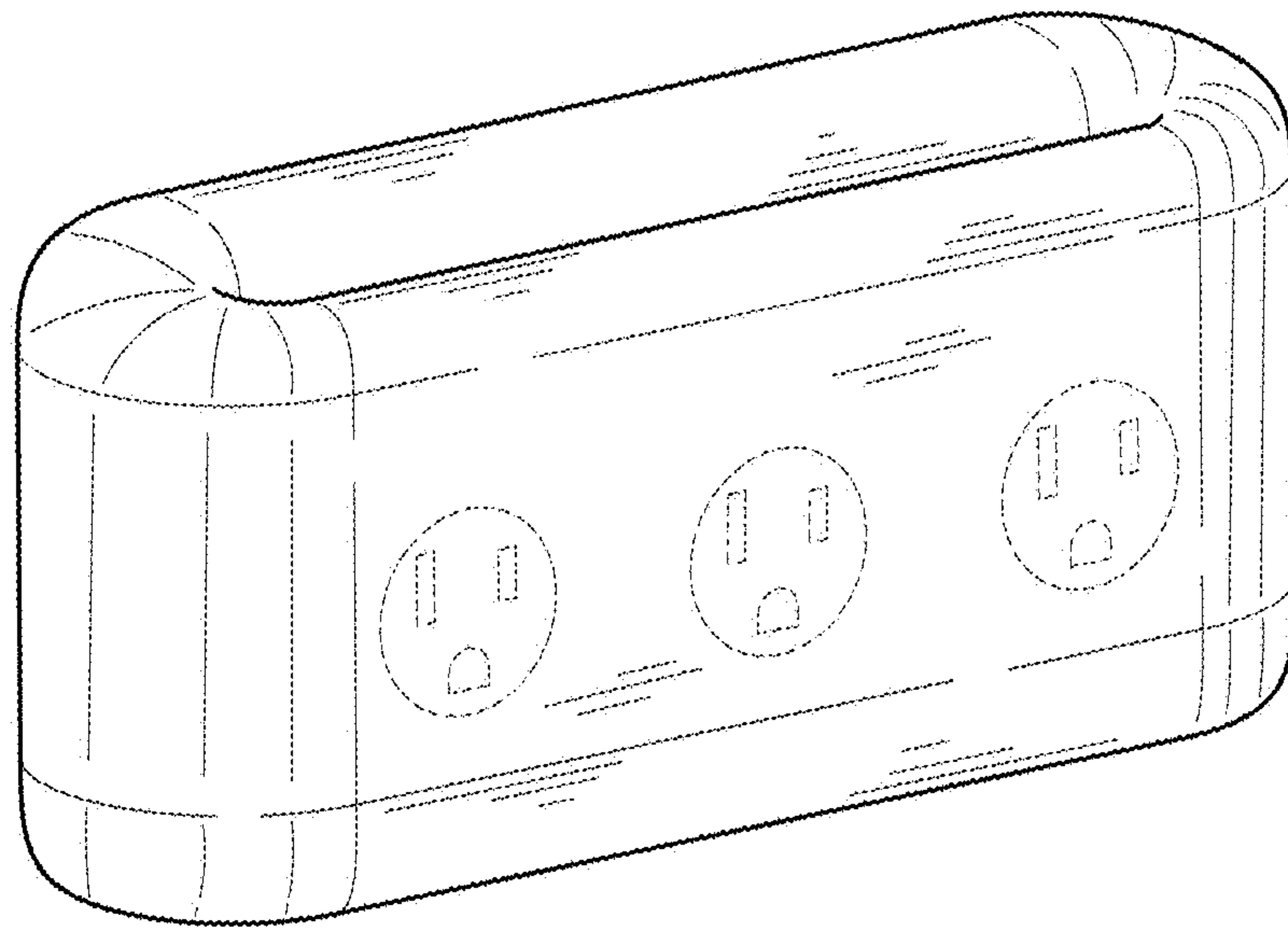


FIG. 2

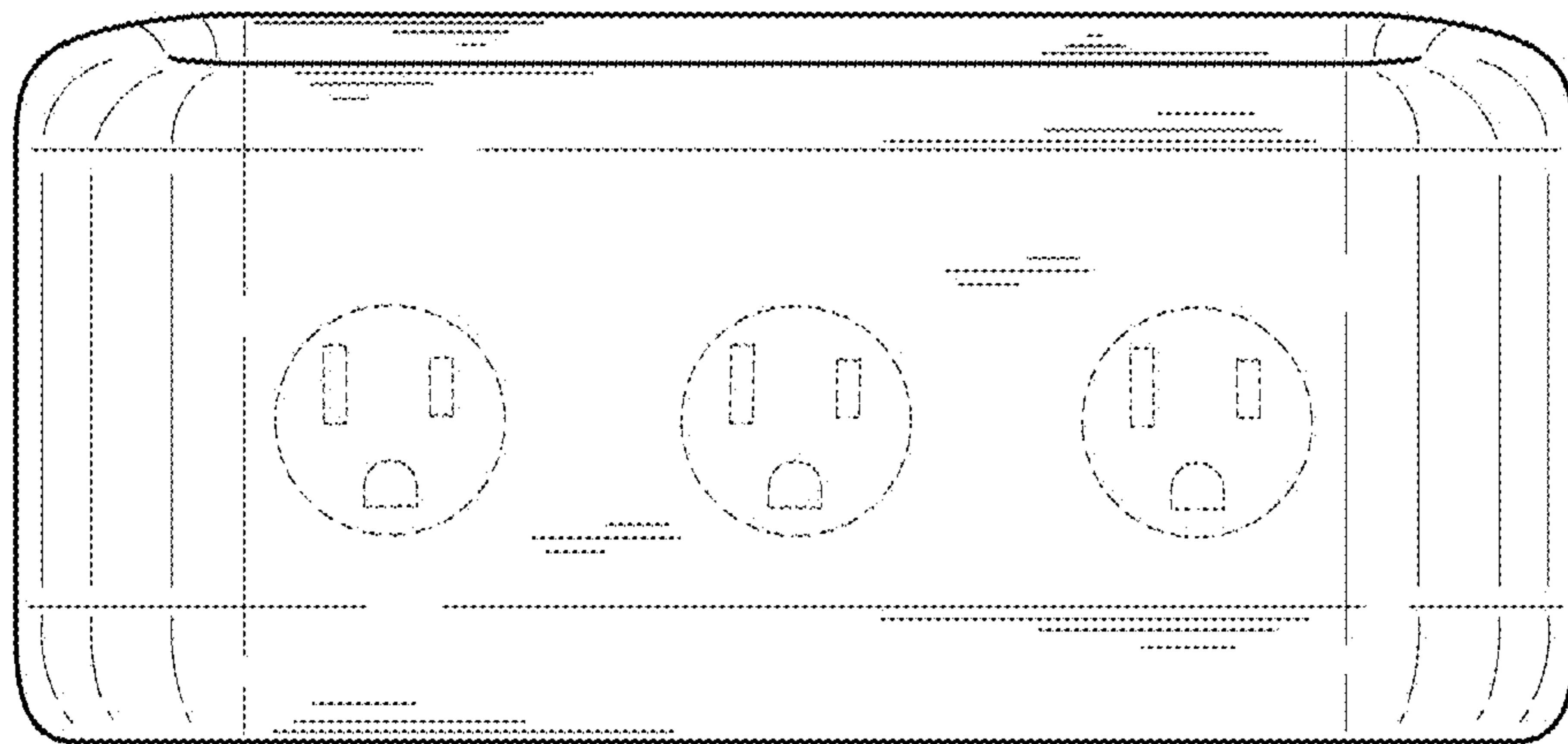


FIG. 3

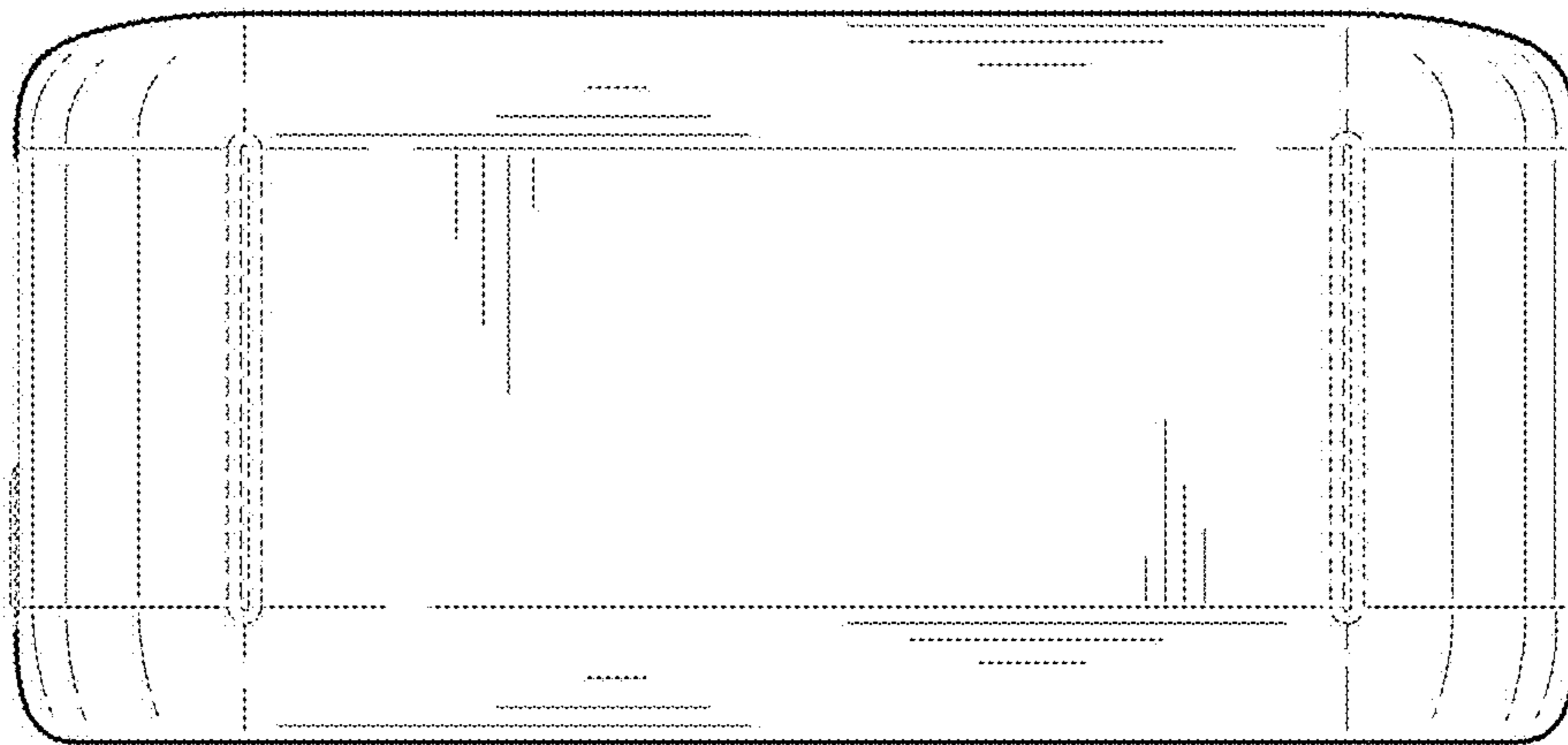


FIG. 4

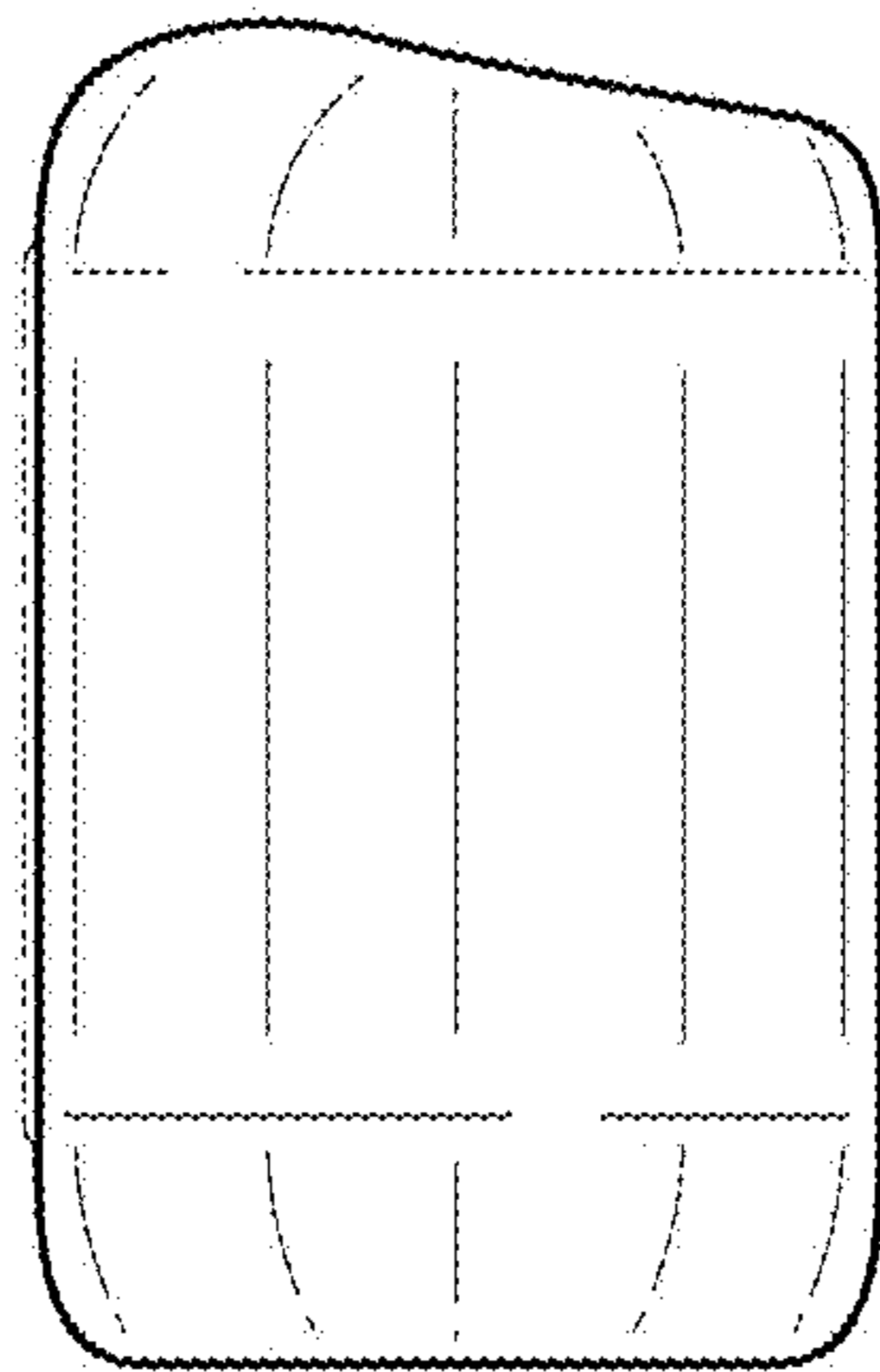


FIG. 5

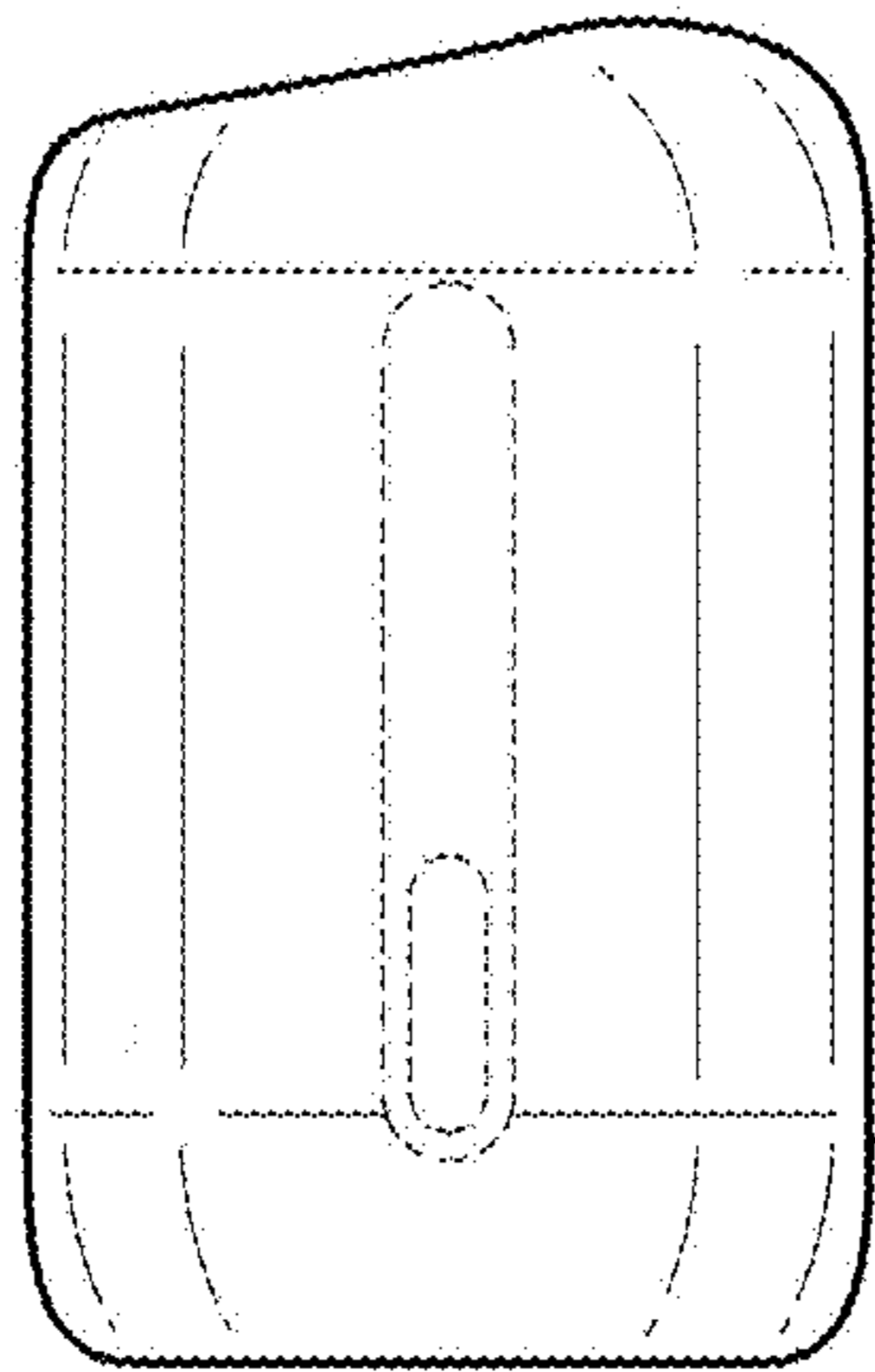


FIG. 6



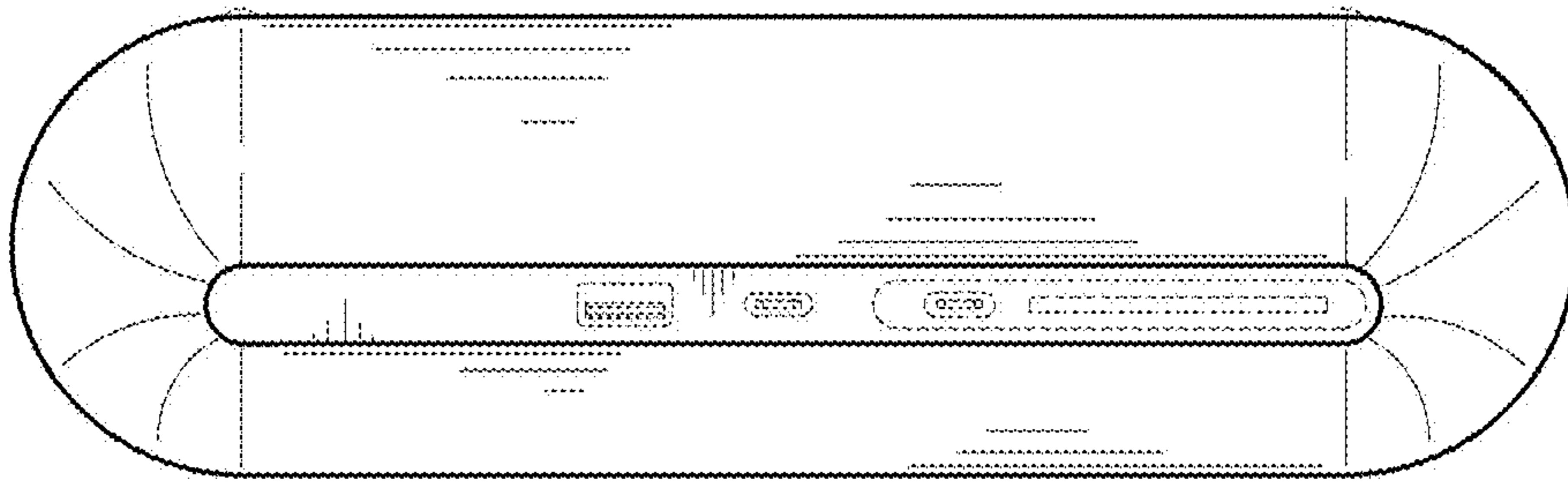


FIG. 7

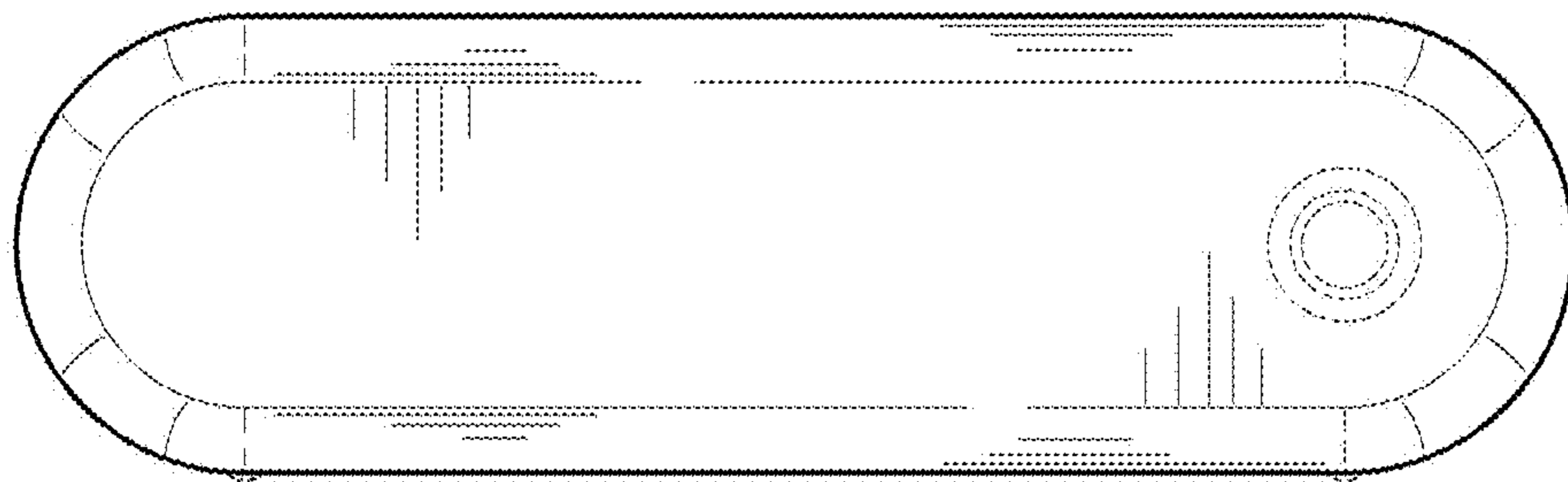


FIG. 8