



US00D955338S

(12) **United States Design Patent**
Liu

(10) **Patent No.:** **US D955,338 S**
(45) **Date of Patent:** **** Jun. 21, 2022**

(54) **BATTERY CLAMP**
(71) Applicant: **Fusheng Liu**, Hebei (CN)
(72) Inventor: **Fusheng Liu**, Hebei (CN)
(**) Term: **15 Years**
(21) Appl. No.: **29/809,526**
(22) Filed: **Sep. 28, 2021**
(30) **Foreign Application Priority Data**
Apr. 8, 2021 (CN) 202130196216.0
(51) **LOC (13) Cl.** **13-02**
(52) **U.S. Cl.**
USPC **D13/120**
(58) **Field of Classification Search**
USPC D13/120, 149, 154, 133, 102, 151, 156,
D13/153, 155, 199, 108, 118, 129, 139.6,
D13/152, 159, 183, 184
CPC H01R 11/282; H01R 11/24; H01R 11/281;
H01R 4/5008; H01R 43/027
See application file for complete search history.

(56) **References Cited**
U.S. PATENT DOCUMENTS
2,878,460 A * 3/1959 Coleman H01R 11/282
439/761
3,739,322 A * 6/1973 Haegert H01R 11/281
439/764
D345,545 S 3/1994 Walters
D363,699 S * 10/1995 Mountfort D13/120
D449,272 S * 10/2001 Liang D13/120
D485,235 S * 1/2004 Liang D13/120
6,773,310 B2 * 8/2004 Davis H01R 11/282
439/763
6,802,747 B1 * 10/2004 Orange H01R 11/282
439/772

7,303,448 B1 * 12/2007 Sproesser H01R 11/282
439/772
11,139,596 B2 * 10/2021 Marchal H01R 43/027
D947,780 S * 4/2022 Marchal D13/120

OTHER PUBLICATIONS

Amazon.com. Car Battery Terminal Connectors, 2Pcs 4 Way Battery Clamp Terminals Block Quick Release Disconnect. Date first available: Jun. 2021. Date retrieved: May 2022. <https://www.amazon.com/Terminal-Connectors-Terminals-Connector-Disconnect/dp/B097M4LLJN?th=1> (Year: 2021).*

* cited by examiner

Primary Examiner — Jennifer O King
(74) *Attorney, Agent, or Firm* — ScienBiziP, P.C.

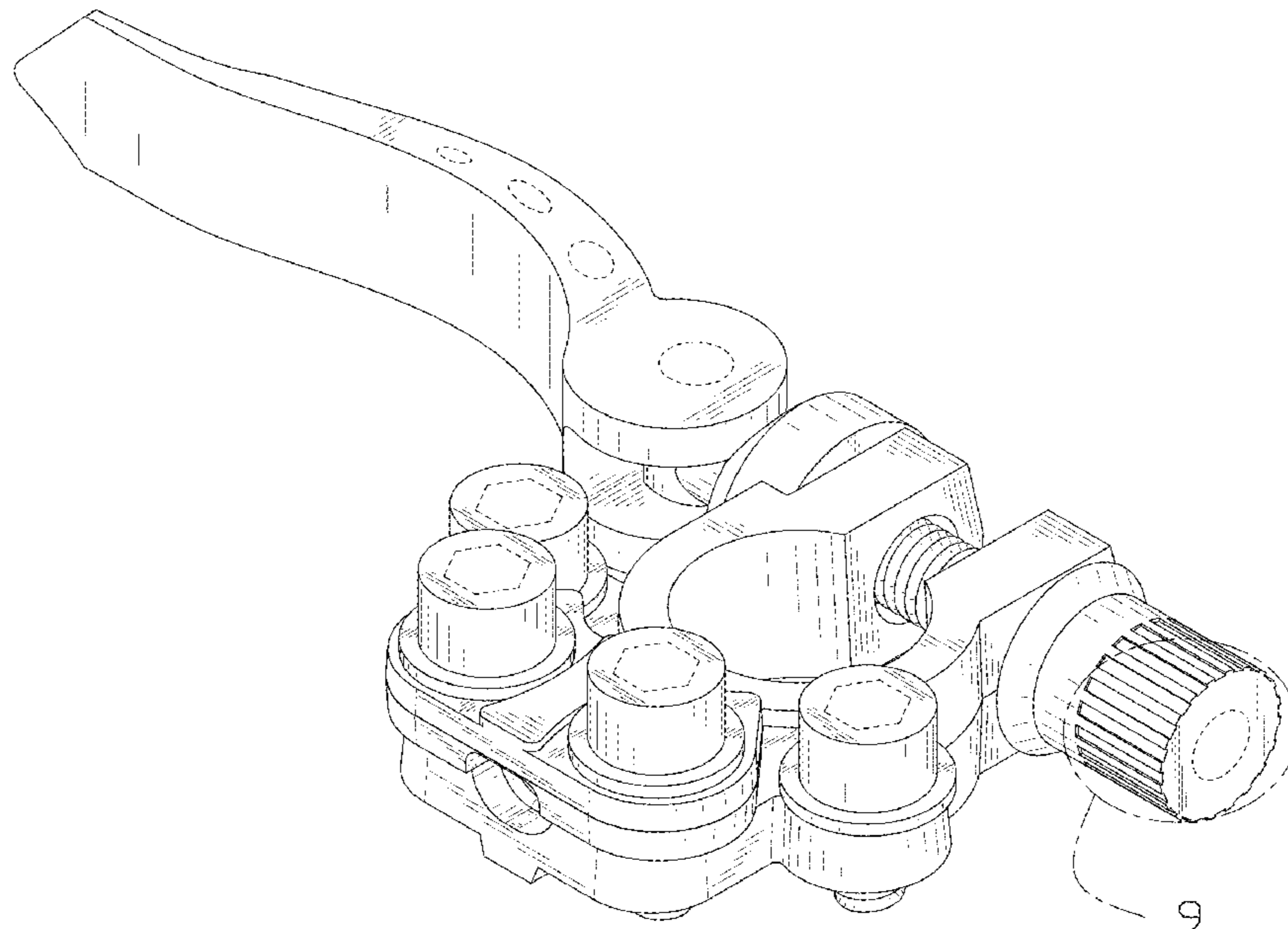
(57) **CLAIM**

The ornamental design for a battery clamp, as shown and described.

DESCRIPTION

FIG. 1 is a front, left, and top perspective view of a battery clamp, showing my design.
FIG. 2 is a rear, right, and bottom perspective view thereof.
FIG. 3 is a front elevation view thereof.
FIG. 4 is a rear elevation view thereof.
FIG. 5 is a left side elevation view thereof.
FIG. 6 is a right side elevation view thereof.
FIG. 7 is a top plan view thereof.
FIG. 8 is a bottom plan view thereof; and,
FIG. 9 is a partial enlarged view of an area labeled 9 in FIG. 1 comprising a screw.
The broken lines shown in the drawings are included for the purpose of illustrating portions of the battery clamp that form no part of the claimed design.

1 Claim, 9 Drawing Sheets



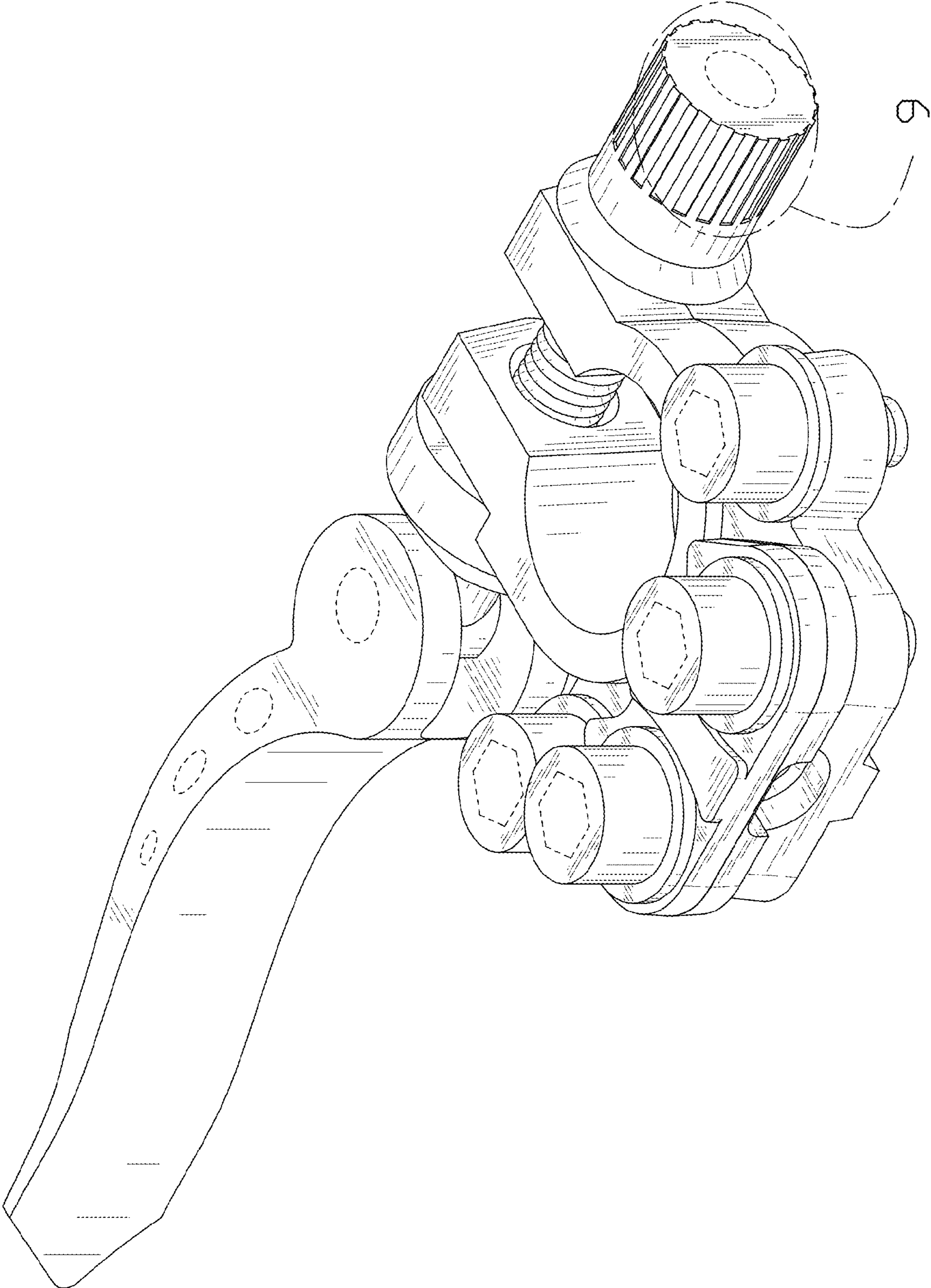


FIG. 1

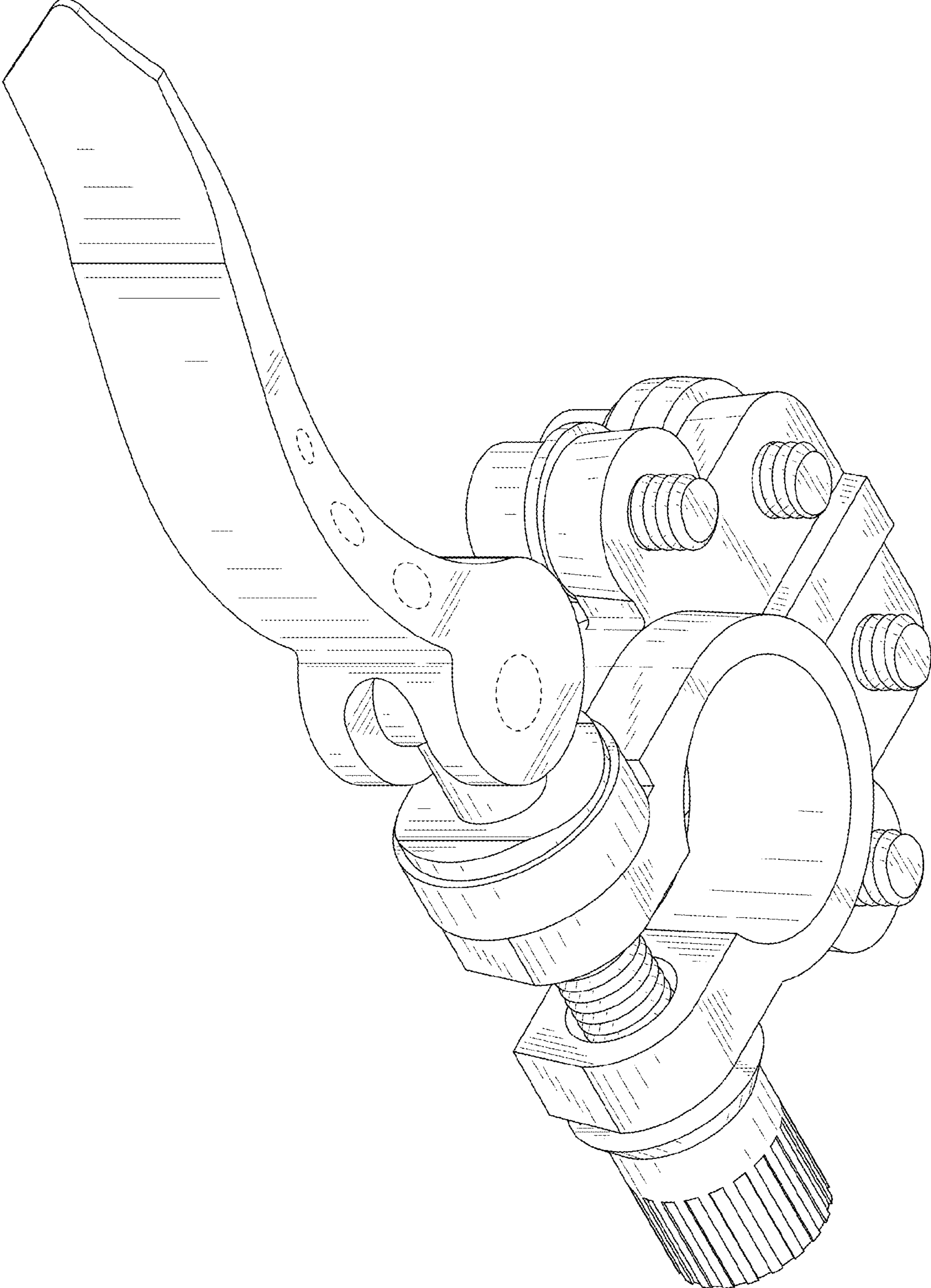


FIG. 2

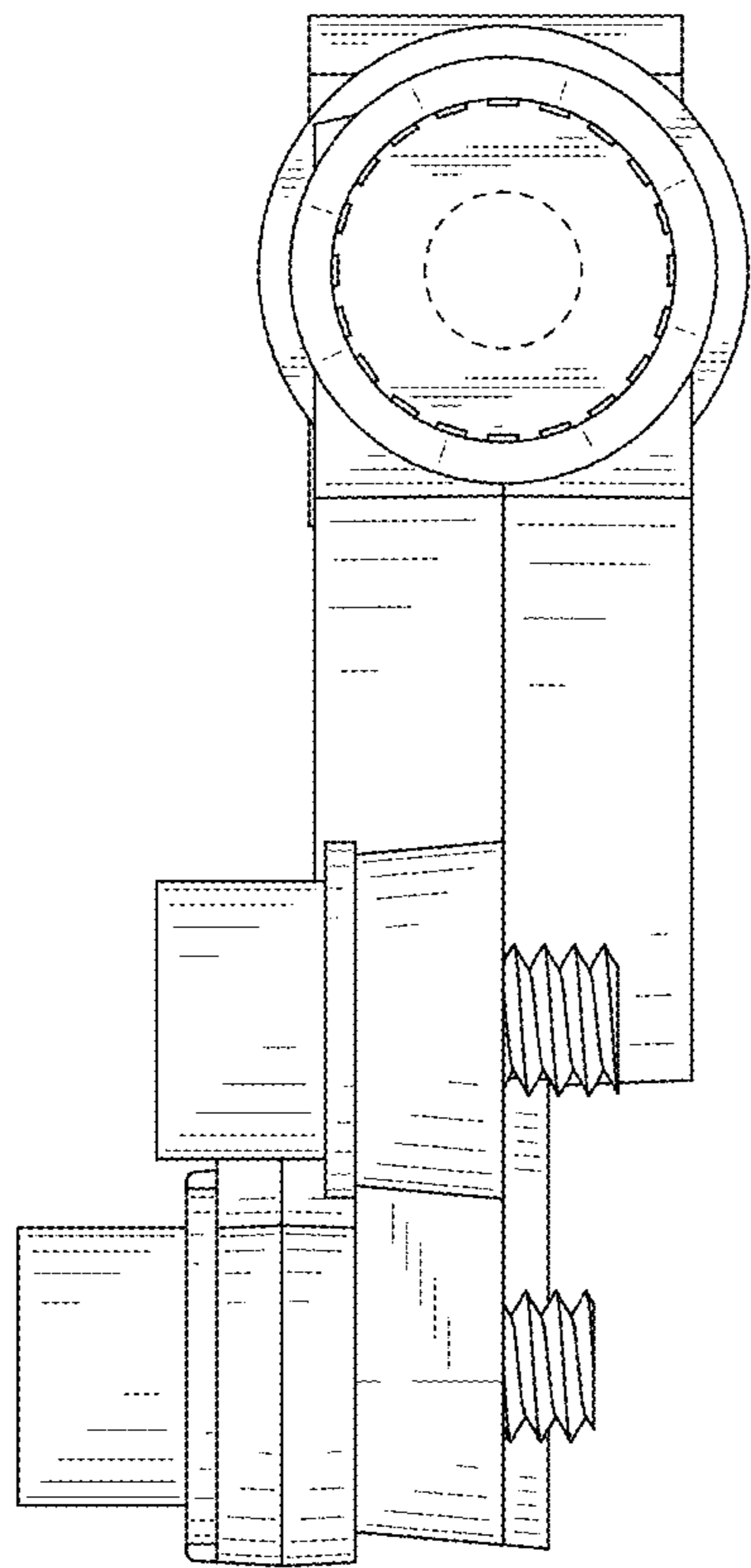


FIG. 3

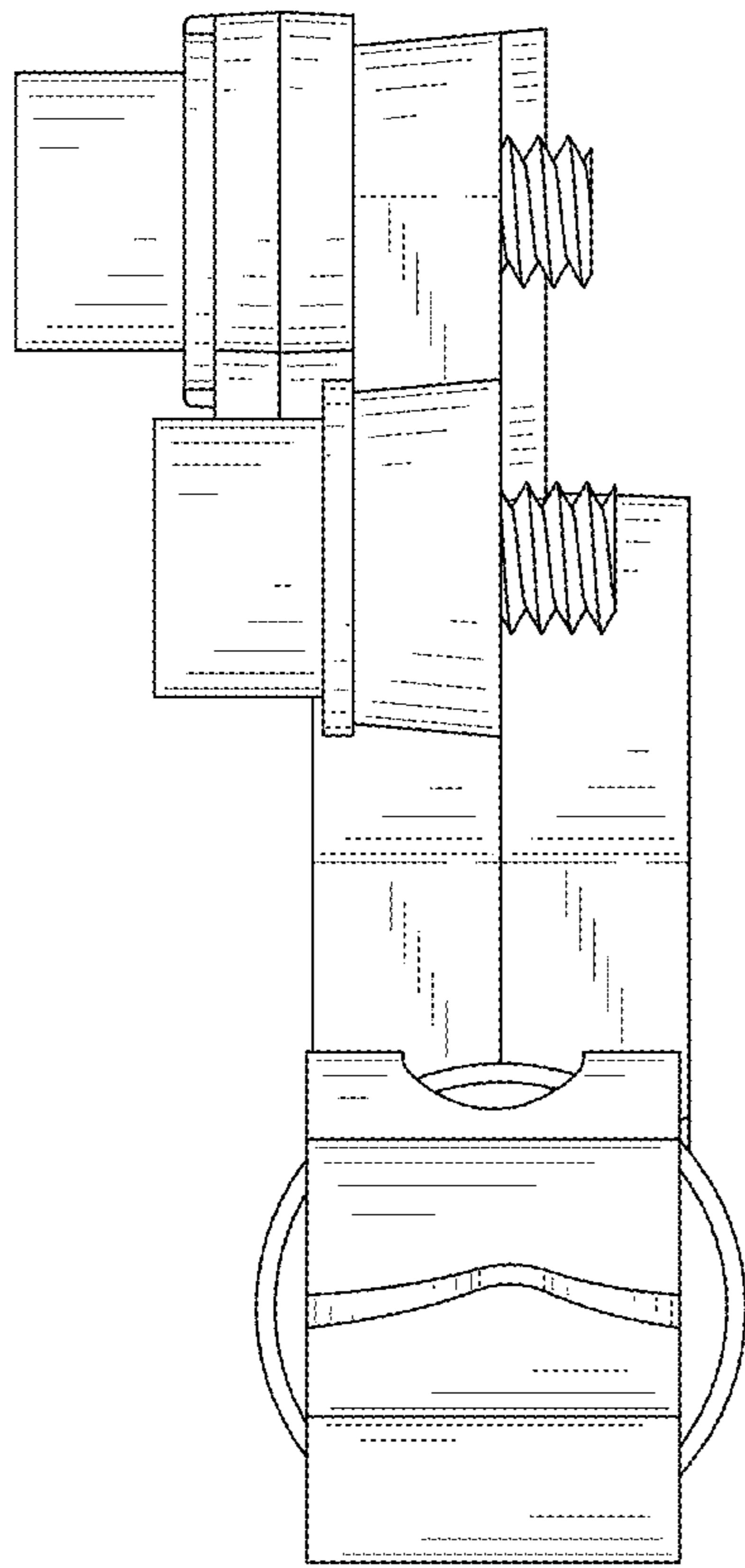


FIG. 4

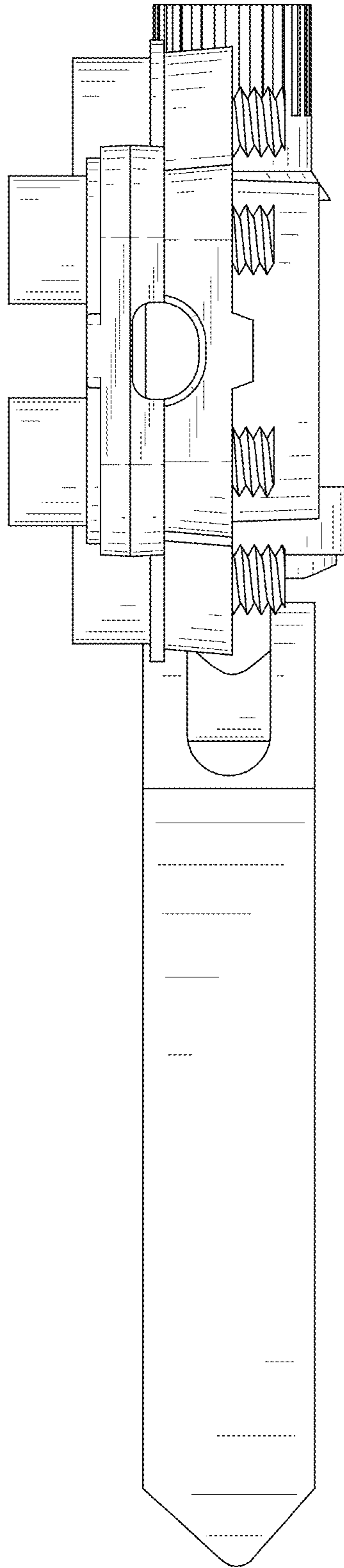


FIG. 5

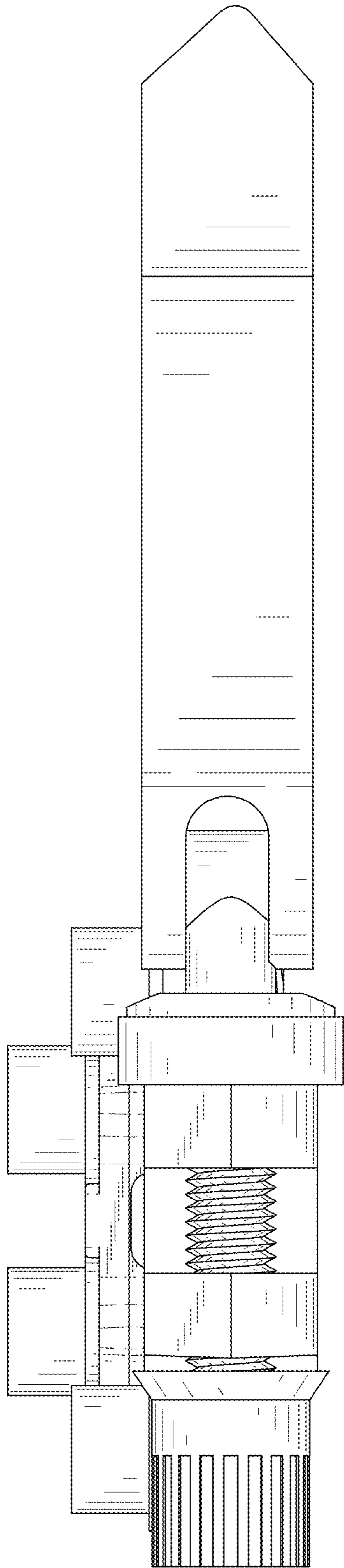


FIG. 6

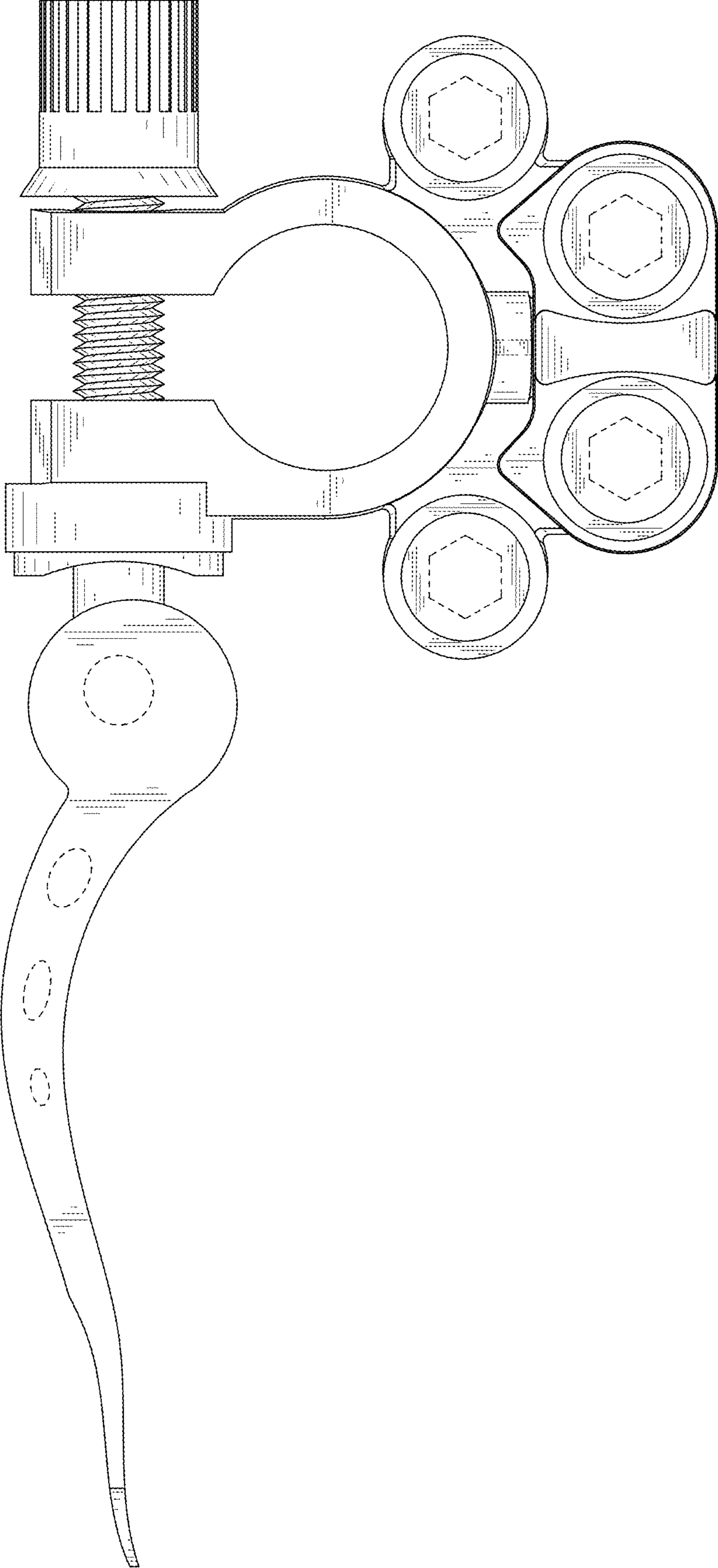


FIG. 7

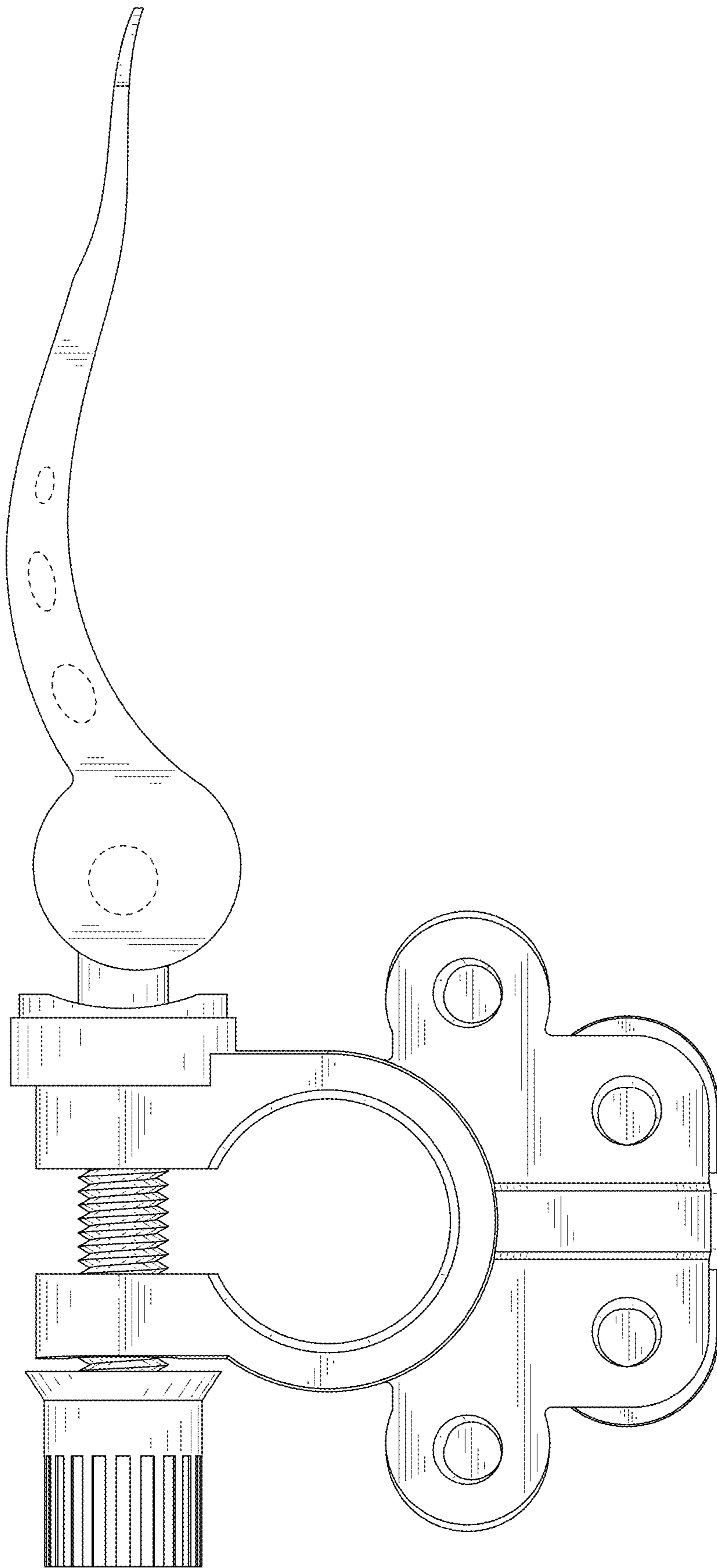


FIG. 8

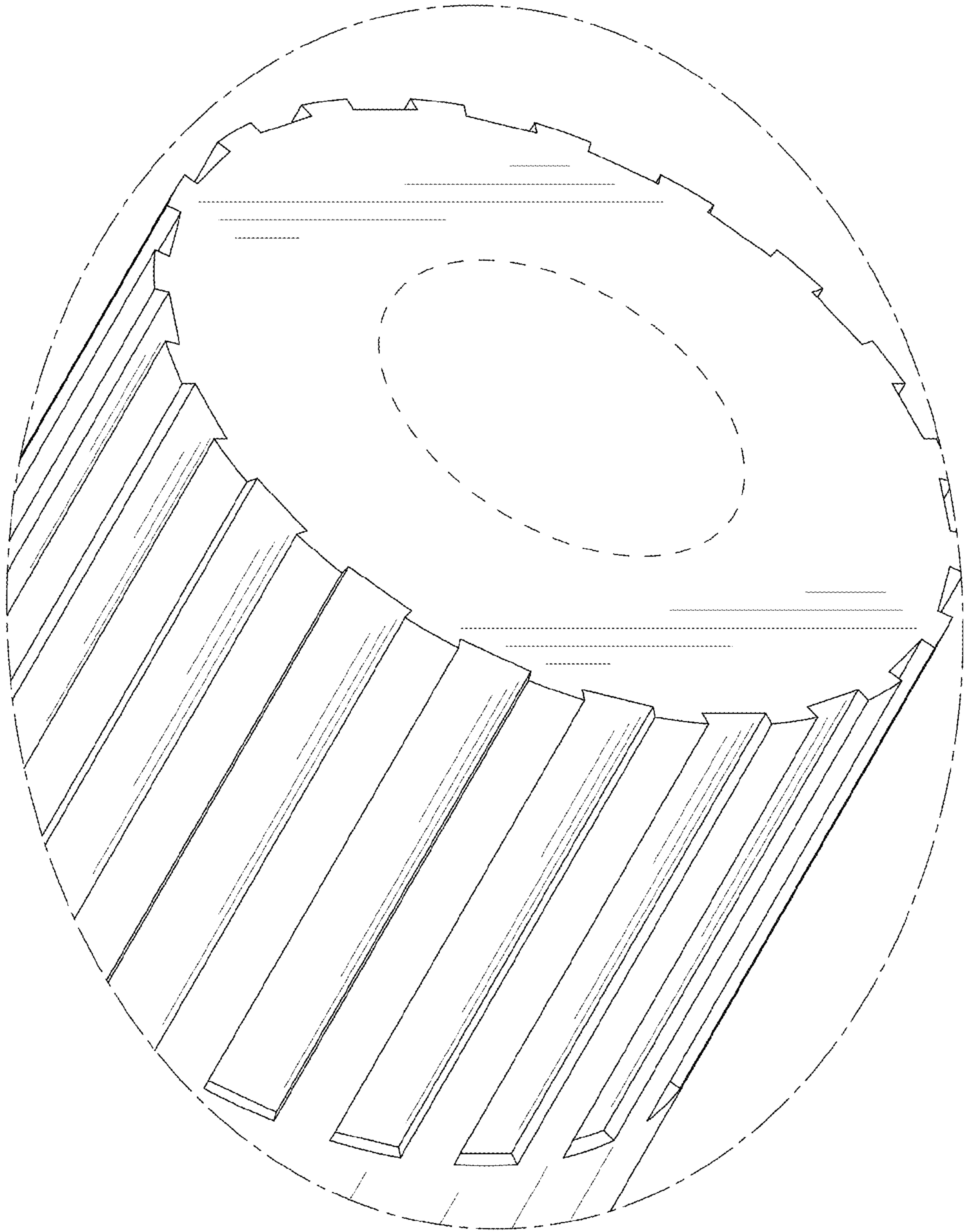


FIG. 9