



US00D955337S

(12) **United States Design Patent**
Benjakachorndech et al.

(10) **Patent No.:** **US D955,337 S**

(45) **Date of Patent:** **** Jun. 21, 2022**

(54) **BATTERY BOX**

(71) Applicant: **Seasonal Specialties, LLC**, Eden Prairie, MN (US)

(72) Inventors: **Narong Benjakachorndech**, Dongguan (CN); **Christine Werner**, St. Louis Park, MN (US); **Steven Altamura**, Scarsdale, NY (US)

(73) Assignee: **Seasonal Specialties, LLC**, Eden Prairie, MN (US)

(**) Term: **15 Years**

(21) Appl. No.: **29/802,492**

(22) Filed: **Aug. 5, 2021**

Related U.S. Application Data

(62) Division of application No. 29/704,220, filed on Sep. 3, 2019, now Pat. No. Des. 929,333.

(51) **LOC (13) Cl.** **13-02**

(52) **U.S. Cl.**
USPC **D13/119**

(58) **Field of Classification Search**
USPC D13/102, 103, 107, 108, 110, 112, 113, D13/118, 119, 184, 199
CPC Y02T 10/7005; Y02T 10/705; Y02T 10/7088; H02J 7/025; H02J 7/0042; H02J 7/0044; H02J 7/0045; H02J 7/0003; H01F 38/14; H01M 2/02; H01M 2/022; H01M 2/0202; H01M 2/0207; H01M 2/0212; H01M 2/1061; H01M 2/1022; H01M 2/1055; H01M 2/1066; H01M 2/105; H01M 2/204; H01M 2/10; Y02E 60/12; Y02E 60/122; Y02E 60/124; Y02E 60/50; H01R 12/52

See application file for complete search history.

(56) **References Cited**

U.S. PATENT DOCUMENTS

D363,669 S *	10/1995	Pennoyer, Jr.	D3/292
D379,004 S *	4/1997	Keijser	D13/184
D423,464 S *	4/2000	Witte	D13/184
D425,476 S *	5/2000	Campbell	D13/103
D451,278 S *	12/2001	Cooper	D3/294
D499,070 S *	11/2004	Lavington	D13/119
D507,241 S *	7/2005	Koessler	D13/152
D517,479 S *	3/2006	Schemm	D13/103
D517,988 S *	3/2006	Ihde	D13/103
D562,128 S *	2/2008	van de Velde	D9/420

(Continued)

Primary Examiner — Christy Nemeth

(74) *Attorney, Agent, or Firm* — Hamre, Schumann, Mueller & Larson, P.C.

(57) **CLAIM**

The ornamental design for a battery box, as shown and described.

DESCRIPTION

FIG. 1 is a top perspective view of the battery box thereof; FIG. 2 is a bottom perspective view of the battery box shown in FIG. 1 thereof;

FIG. 3 is a right side view of the battery box shown in FIG. 1 thereof;

FIG. 4 is a left side view of the battery box shown in FIG. 1 thereof;

FIG. 5 is a bottom plan view of the battery box shown in FIG. 1 thereof;

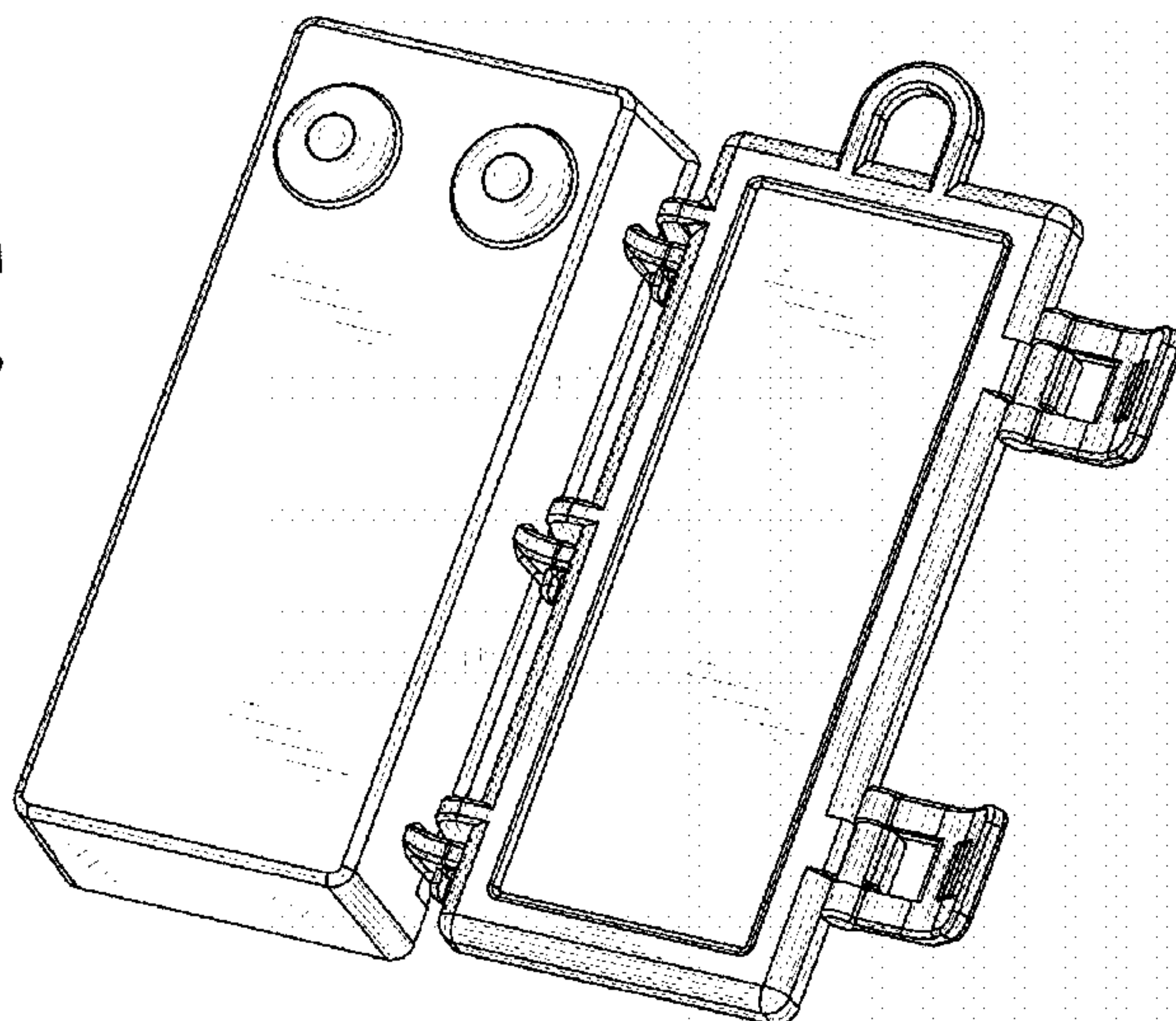
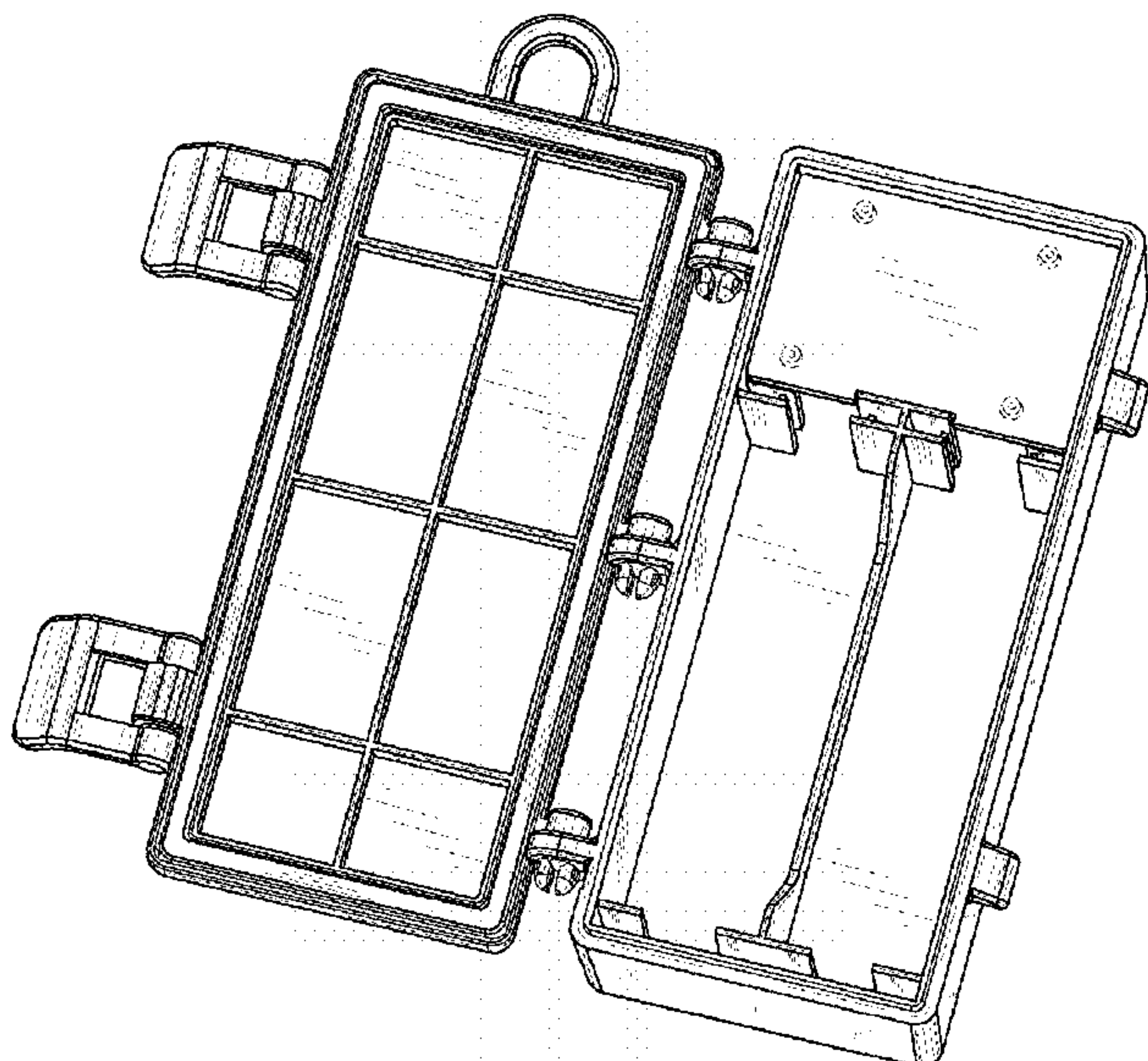
FIG. 6 is a top plan view of the battery box shown in FIG. 1 thereof;

FIG. 7 is a front view of the battery box shown in FIG. 1 thereof; and,

FIG. 8 is a rear view of the battery box shown in FIG. 1 thereof.

The broken lines in the drawings illustrate portions of the battery box that form no part of the claimed design.

1 Claim, 8 Drawing Sheets



(56)

References Cited

U.S. PATENT DOCUMENTS

D660,261 S *	5/2012	Huang	D13/184	D890,087 S *	7/2020	Xiao	D13/103
D692,748 S *	11/2013	Short	D9/420	D896,179 S *	9/2020	Yang	D13/119
D757,435 S *	5/2016	Damberg	B65D 43/16 D3/284	D911,930 S *	3/2021	Xie	D13/103
D759,590 S	6/2016	Wang		D929,333 S *	8/2021	Benjakachorndech	D13/119
D777,104 S *	1/2017	Liu	D13/119	D933,590 S *	10/2021	Wu	D13/103
D785,567 S *	5/2017	Abena	D13/119	2012/0132657 A1 *	5/2012	Seiders	B65D 81/3816 220/592.2
D789,899 S *	6/2017	von der Lippe	D13/184	2014/0125271 A1 *	5/2014	Wang	G06F 1/1632 320/107
9,893,330 B2 *	2/2018	Lam	H01M 10/425	2015/0352711 A1 *	12/2015	Brunner	B65D 25/18 206/349
D821,968 S *	7/2018	Zhao	D13/103	2016/0341408 A1	11/2016	Altamura	
D823,788 S *	7/2018	Wei	D13/103	2017/0197765 A1 *	7/2017	Hu	B65D 25/2852
D825,464 S *	8/2018	Xie	D13/119	2017/0233155 A1 *	8/2017	Daws, II	E05B 63/244 220/324
D825,465 S *	8/2018	Deng	D13/119	2018/0172413 A1 *	6/2018	Luis y Prado	B65D 25/108
D853,320 S *	7/2019	Guo	D13/103	2018/0186550 A1 *	7/2018	Morine	F25D 3/08
D861,606 S *	10/2019	Yang	D13/119	2020/0148428 A1 *	5/2020	Georgiadis	B65D 43/22
D881,812 S *	4/2020	Yang	D13/119	2020/0295580 A1 *	9/2020	Bishop	H02J 7/0045
D883,196 S *	5/2020	Chen	D13/103	2020/0324943 A1 *	10/2020	Matti	E05C 3/048
D885,326 S *	5/2020	Zhang	D13/103	2020/0407133 A1 *	12/2020	Morris, Jr.	B65D 55/06
D886,045 S *	6/2020	Deng	D13/103	2021/0313550 A1 *	10/2021	Lin	H01M 50/20
D886,738 S *	6/2020	Huang	D13/119				

* cited by examiner

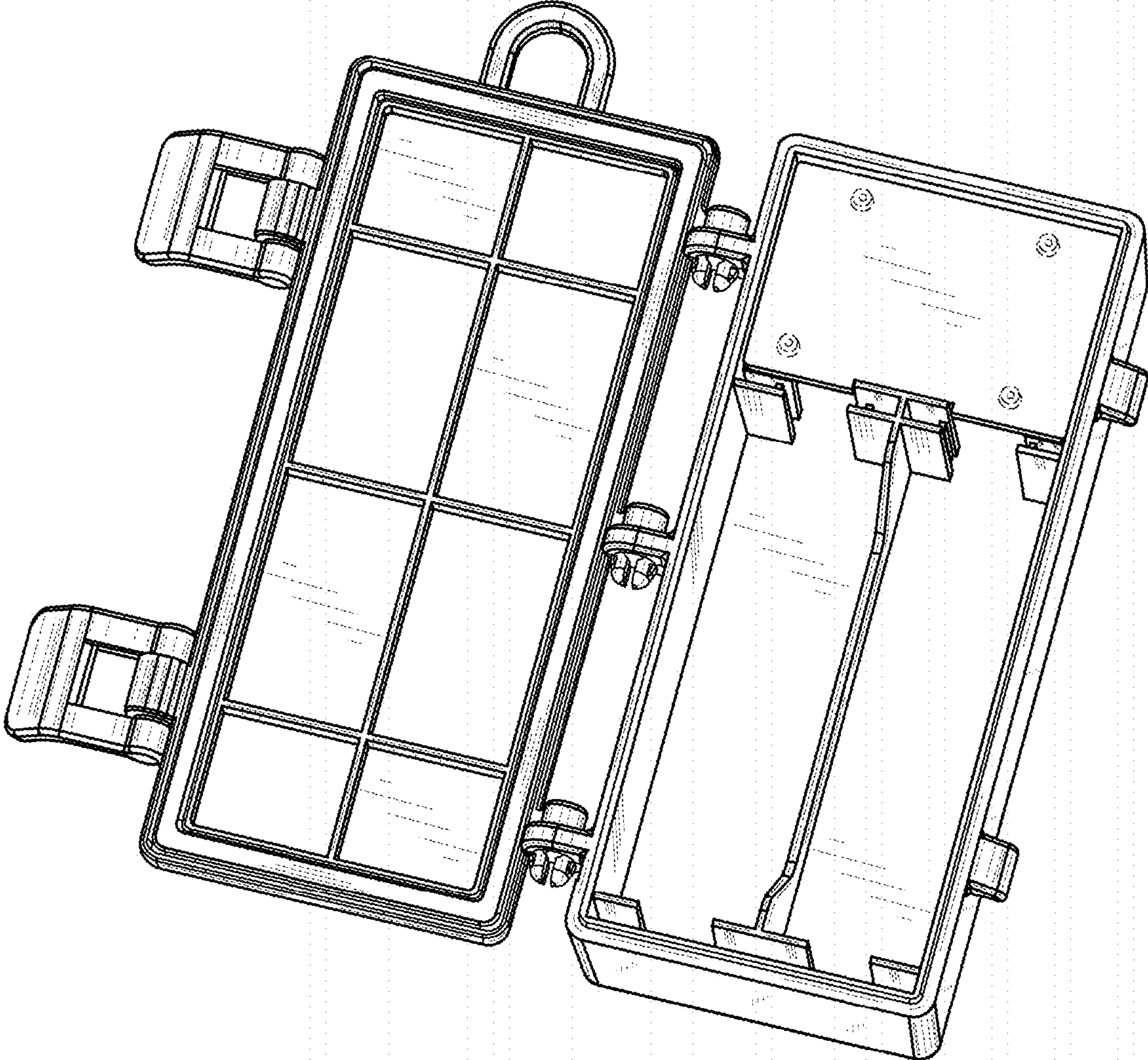


FIG. 1

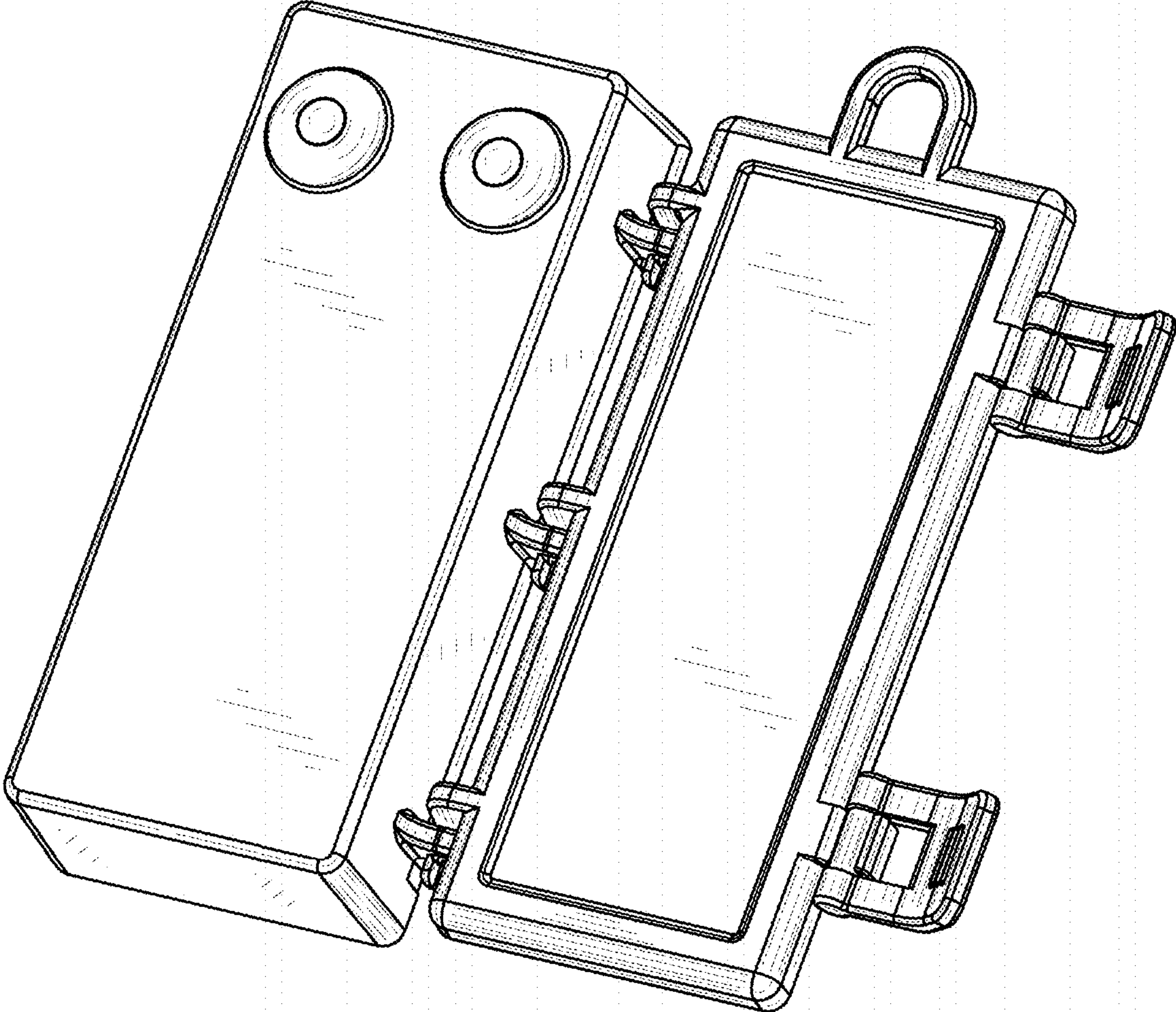


FIG. 2

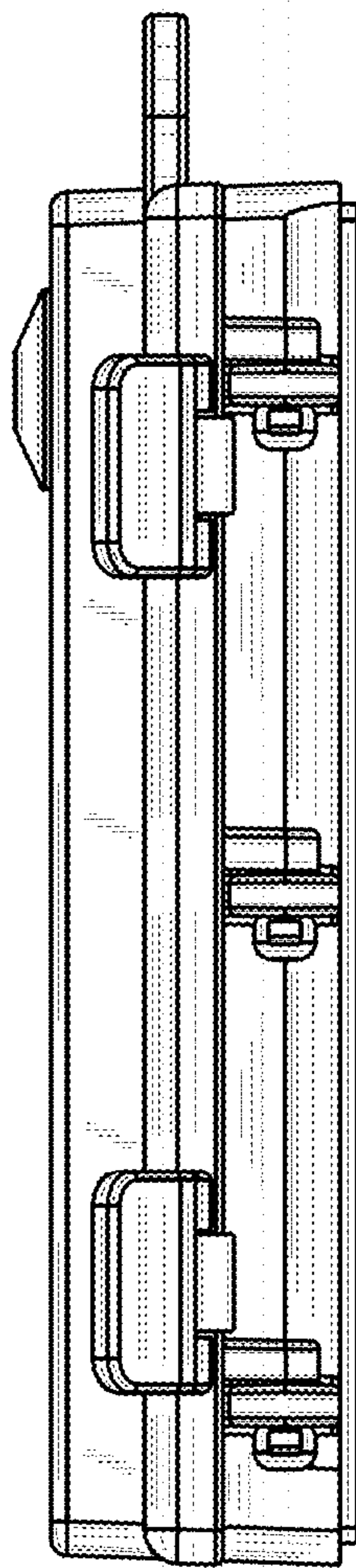


FIG. 3

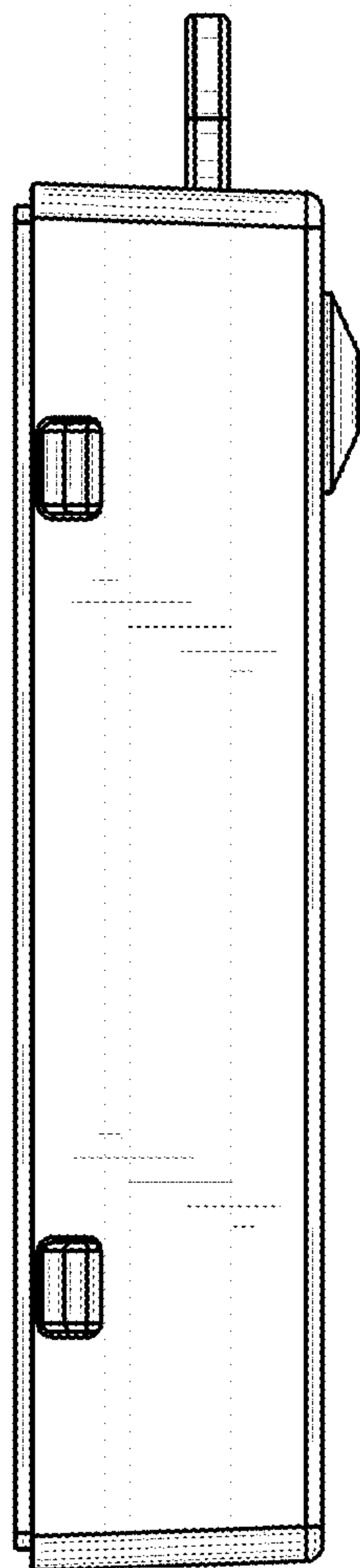


FIG. 4

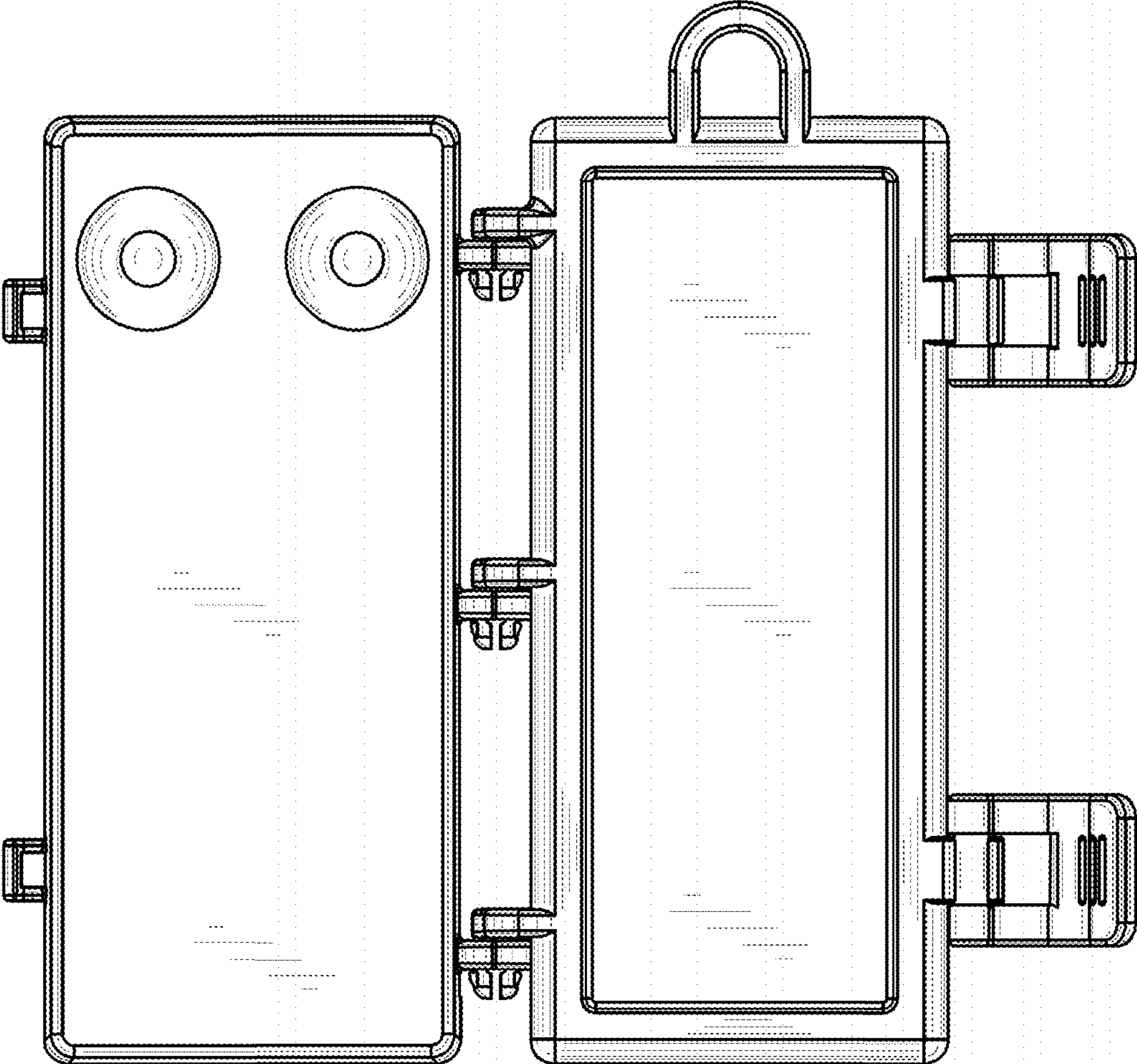


FIG. 5

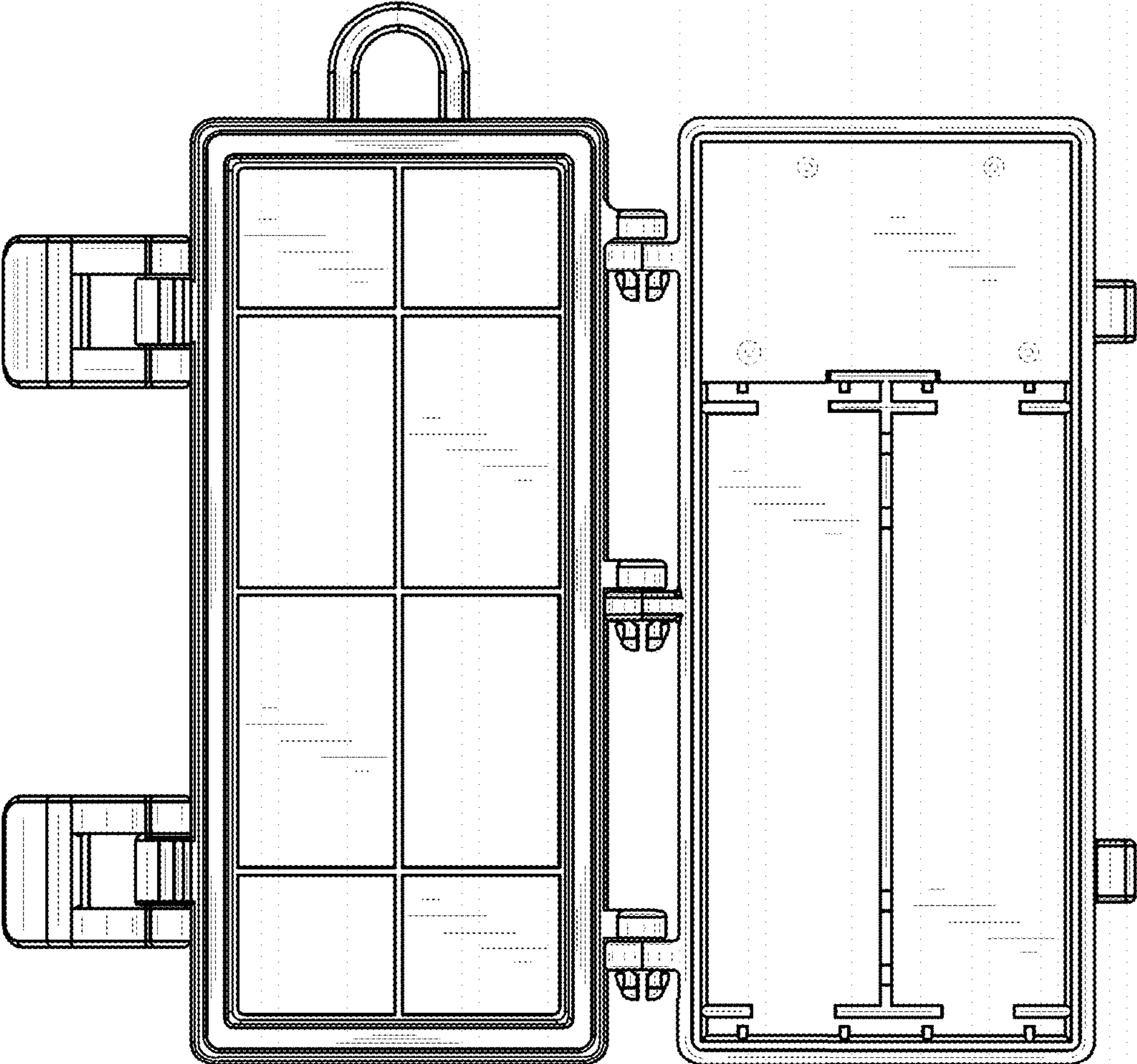


FIG. 6

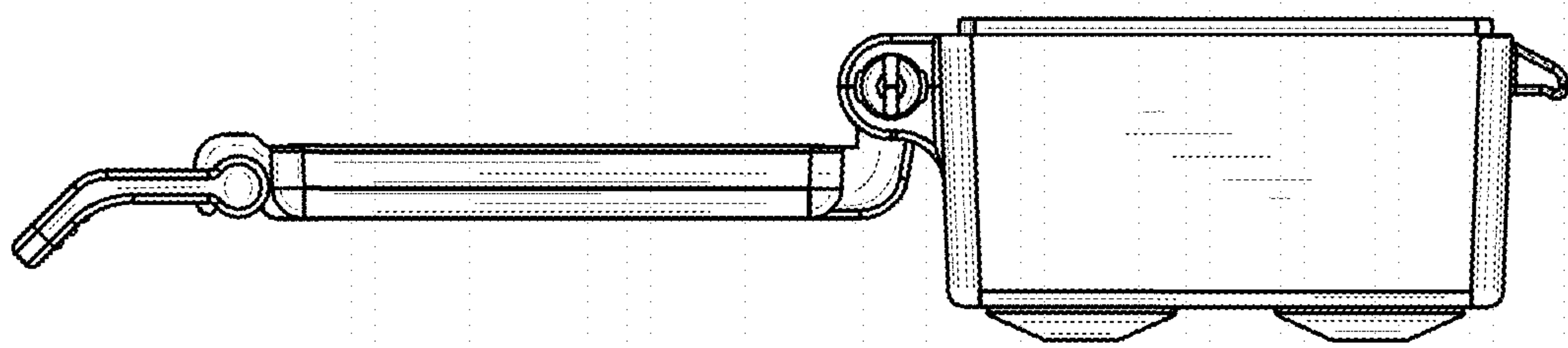


FIG. 7

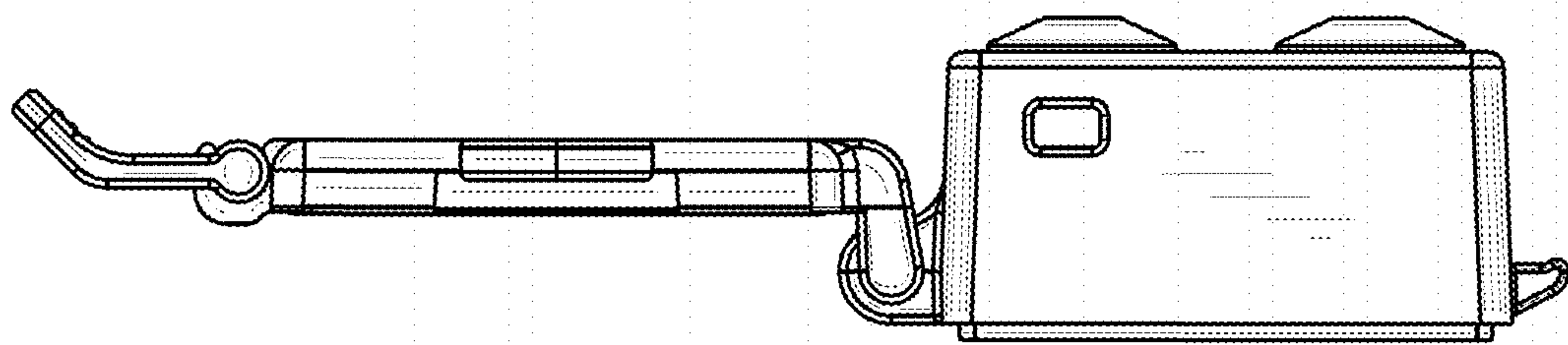


FIG. 8