



US00D955335S

(12) **United States Design Patent**
Shultz et al.

(10) **Patent No.:** **US D955,335 S**

(45) **Date of Patent:** **** Jun. 21, 2022**

(54) **POWER MODULE**

(71) Applicant: **Graco Minnesota Inc.**, Minneapolis, MN (US)

(72) Inventors: **Mark D. Shultz**, Fridley, MN (US);
Robert J. Gundersen, Otsego, MN (US)

(73) Assignee: **Graco Minnesota Inc.**, Minneapolis, MN (US)

(**) Term: **15 Years**

(21) Appl. No.: **29/771,638**

(22) Filed: **Feb. 24, 2021**

(51) **LOC (13) Cl.** **13-01**

(52) **U.S. Cl.**
USPC **D13/112; D15/7**

(58) **Field of Classification Search**
USPC D13/101, 112, 113, 114, 118, 122, 184,
D13/199; D15/5, 6, 7, 8, 9; D23/231,
D23/225, 232
CPC F02M 37/04; F02M 37/14; F04B 1/005;
F04B 1/0417; F04B 9/045; B60T 8/4022;
F04D 29/605
See application file for complete search history.

(56) **References Cited**

U.S. PATENT DOCUMENTS

D354,753 S * 1/1995 Turner, III D15/7
D405,756 S * 2/1999 Castelli, Jr. D13/112

D528,982 S * 9/2006 Reverberi D13/122
D555,089 S * 11/2007 Lutz D15/7
D682,646 S * 5/2013 Knopp D8/61
D772,670 S * 11/2016 Barezzani D8/68
D828,300 S * 9/2018 Christie D13/112
2008/0231127 A1* 9/2008 Lacaze H02M 7/003
363/148

* cited by examiner

Primary Examiner — Derrick E Holland

(74) *Attorney, Agent, or Firm* — Kinney & Lange, P. A.

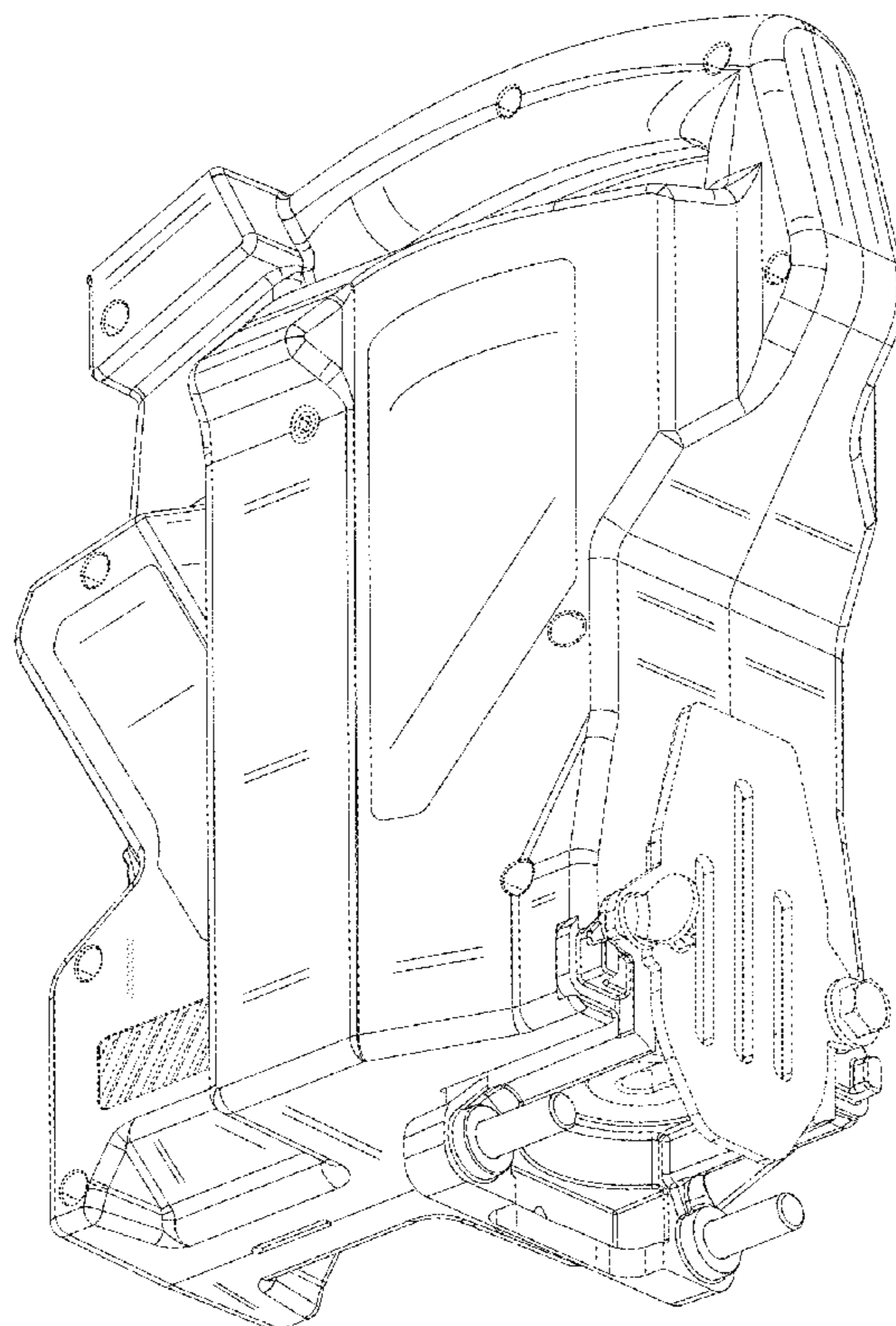
(57) **CLAIM**

The ornamental design for a power module, as shown and described.

DESCRIPTION

FIG. 1 is a first isometric view of a power module; FIG. 2 is a second isometric view of the power module; FIG. 3 is a third isometric view of the power module; FIG. 4 is a fourth isometric view of the power module; FIG. 5 is a front elevational view of the power module; FIG. 6 is a left side view of the power module; FIG. 7 is a right side view of the power module; FIG. 8 is a rear elevational view of the power module; FIG. 9 is a top plan view of the power module; and, FIG. 10 is a bottom plan view of the power module. The broken lines in the Figures represent portions of the power module and form no part of the claimed design.

1 Claim, 10 Drawing Sheets



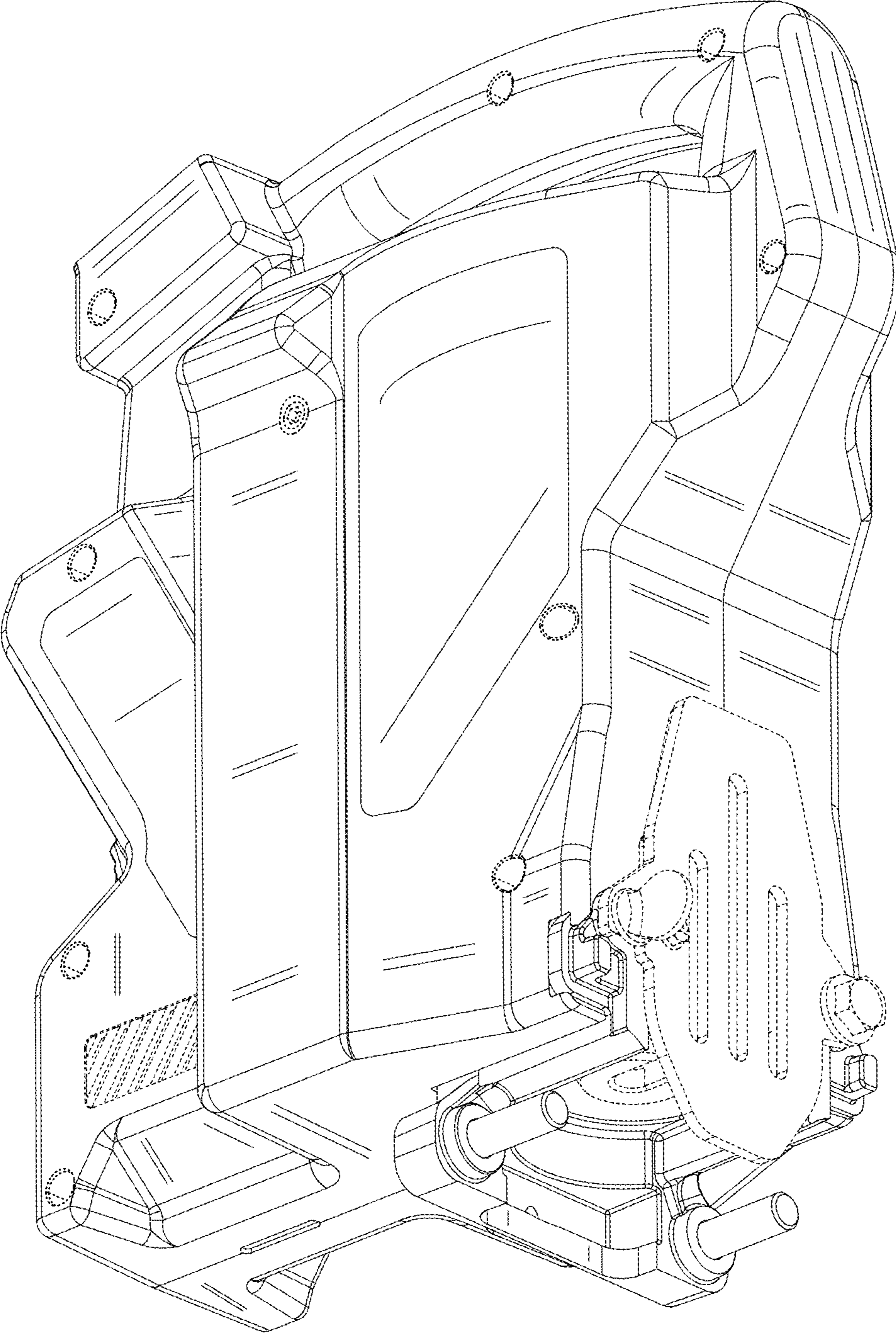


Fig. 1

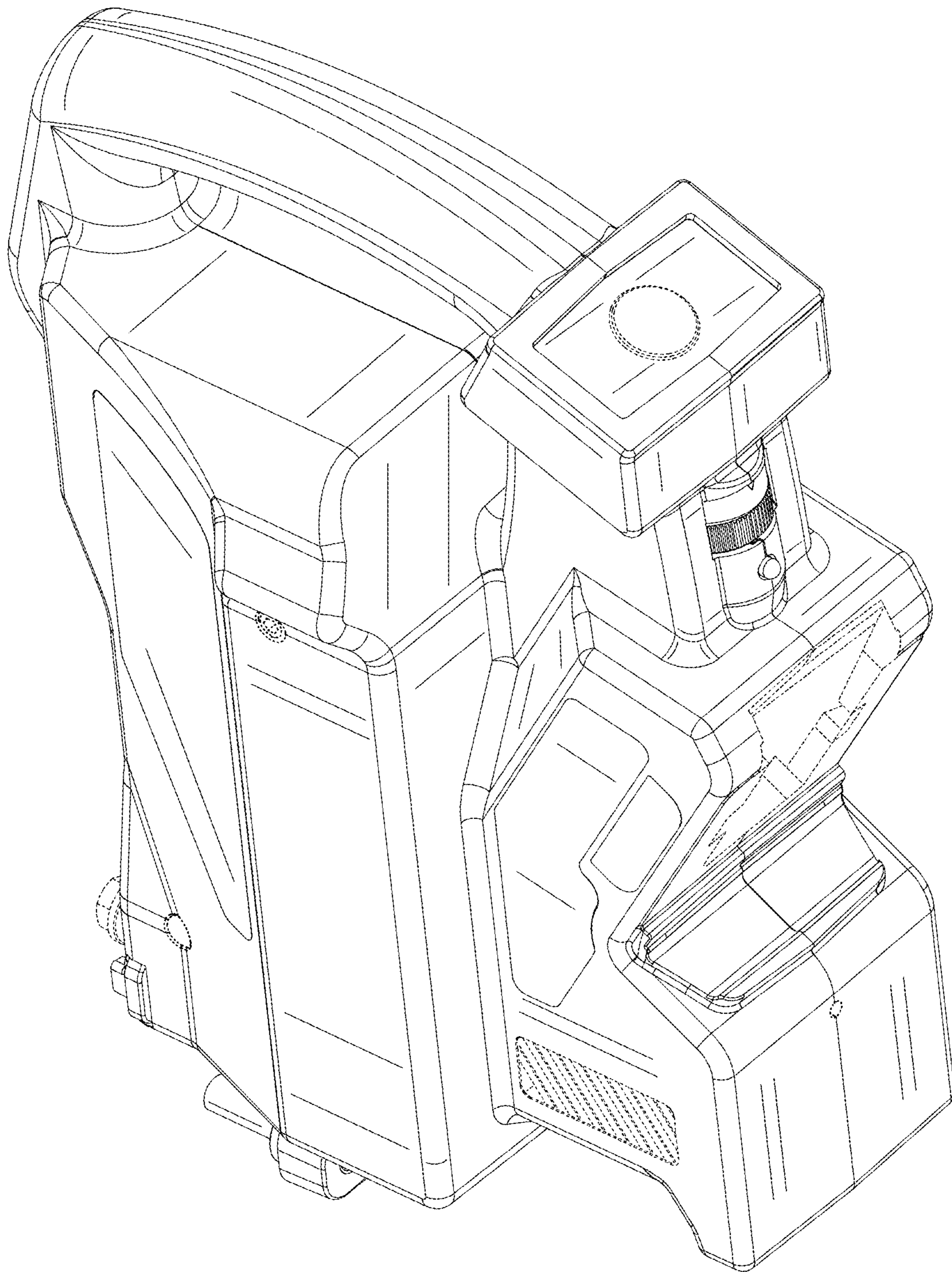


Fig. 2

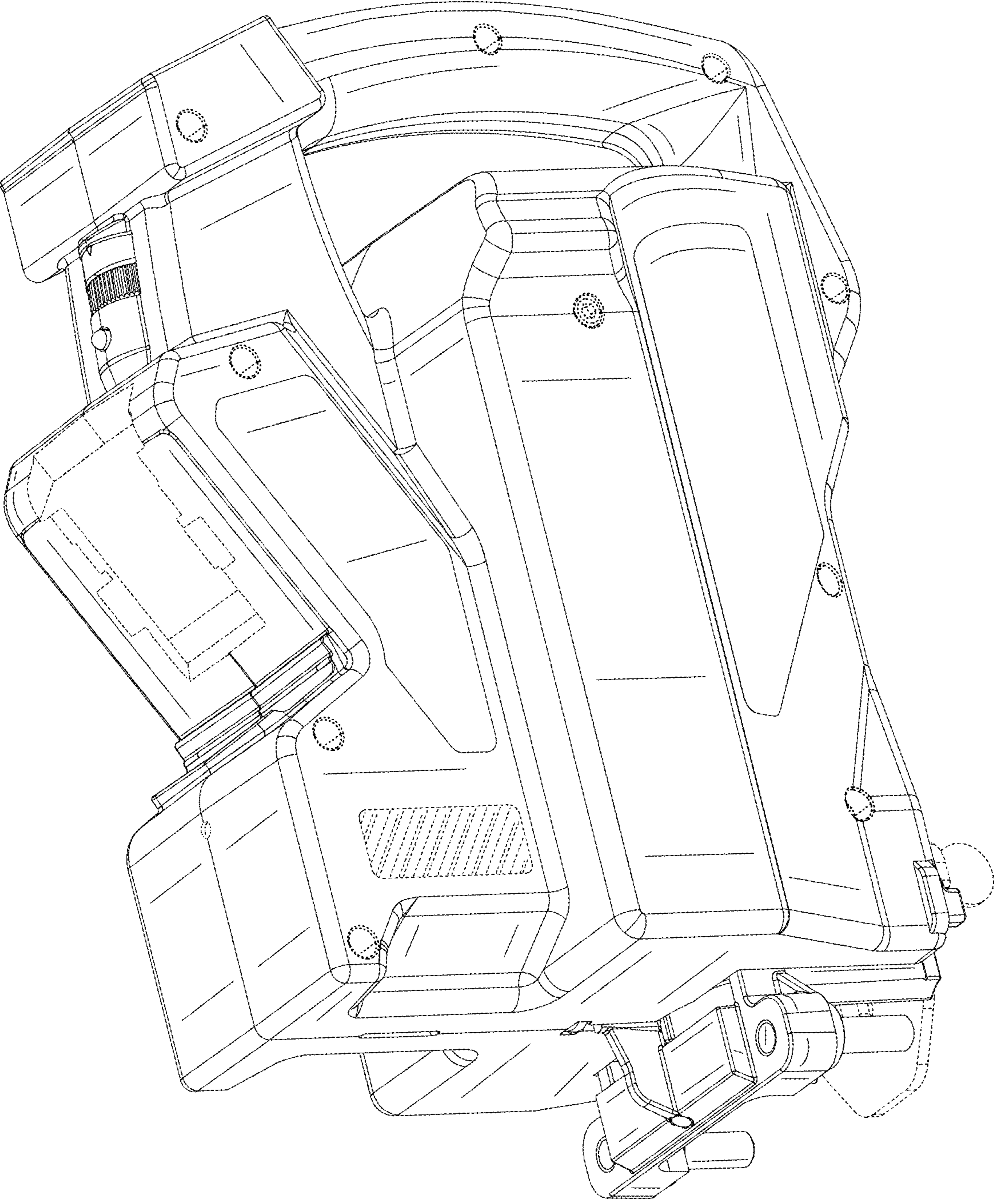


Fig. 3

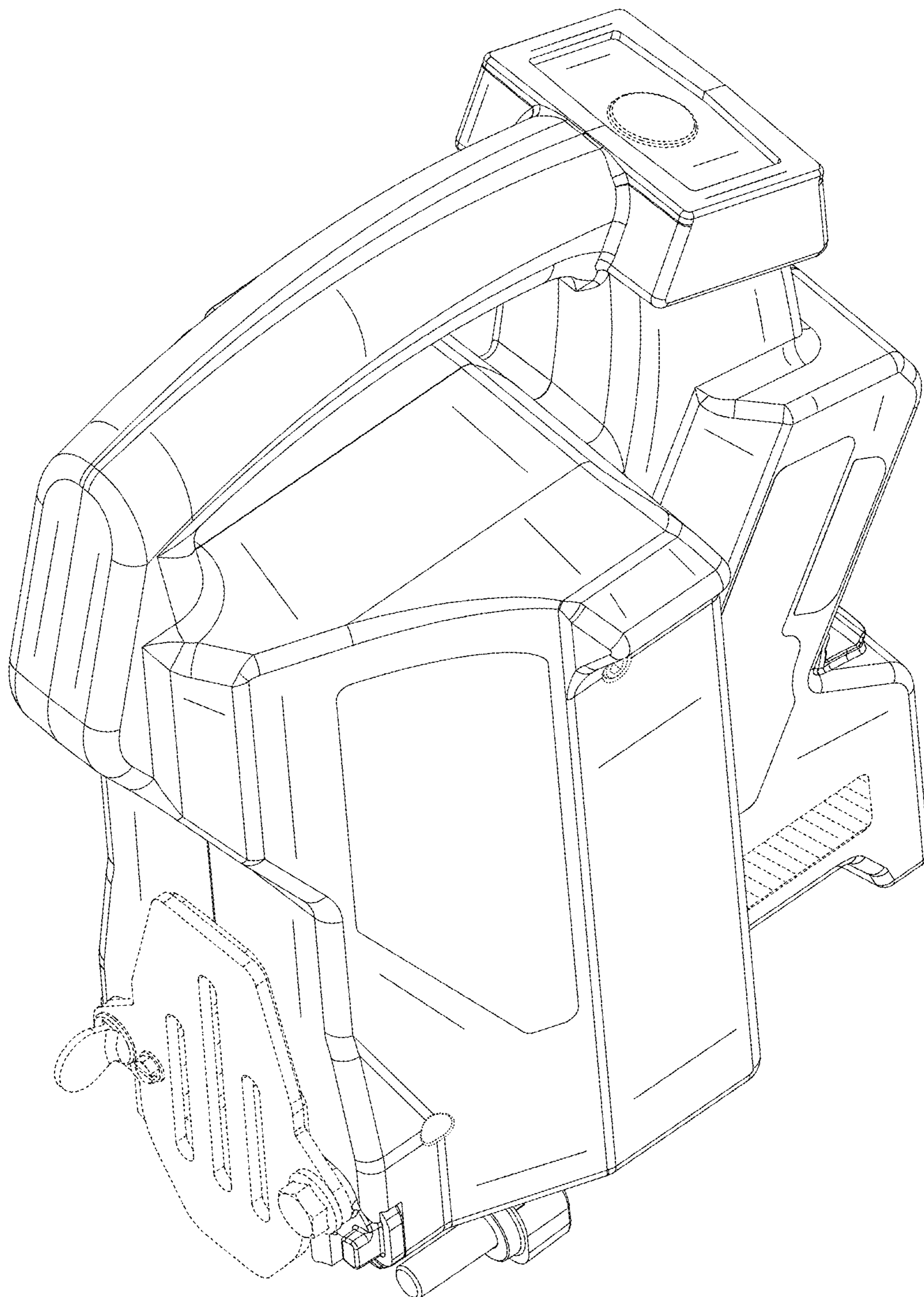


Fig. 4

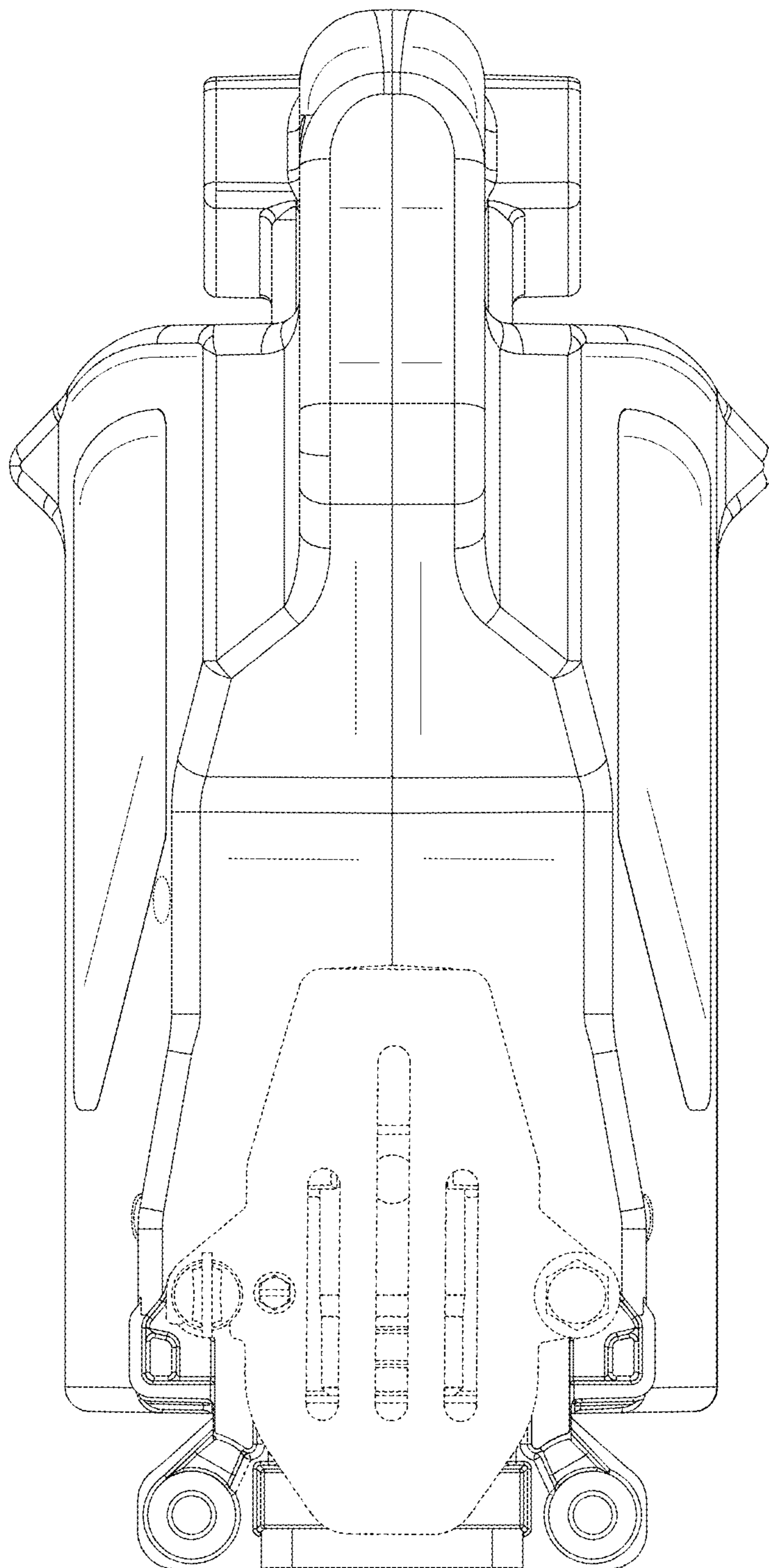


Fig. 5

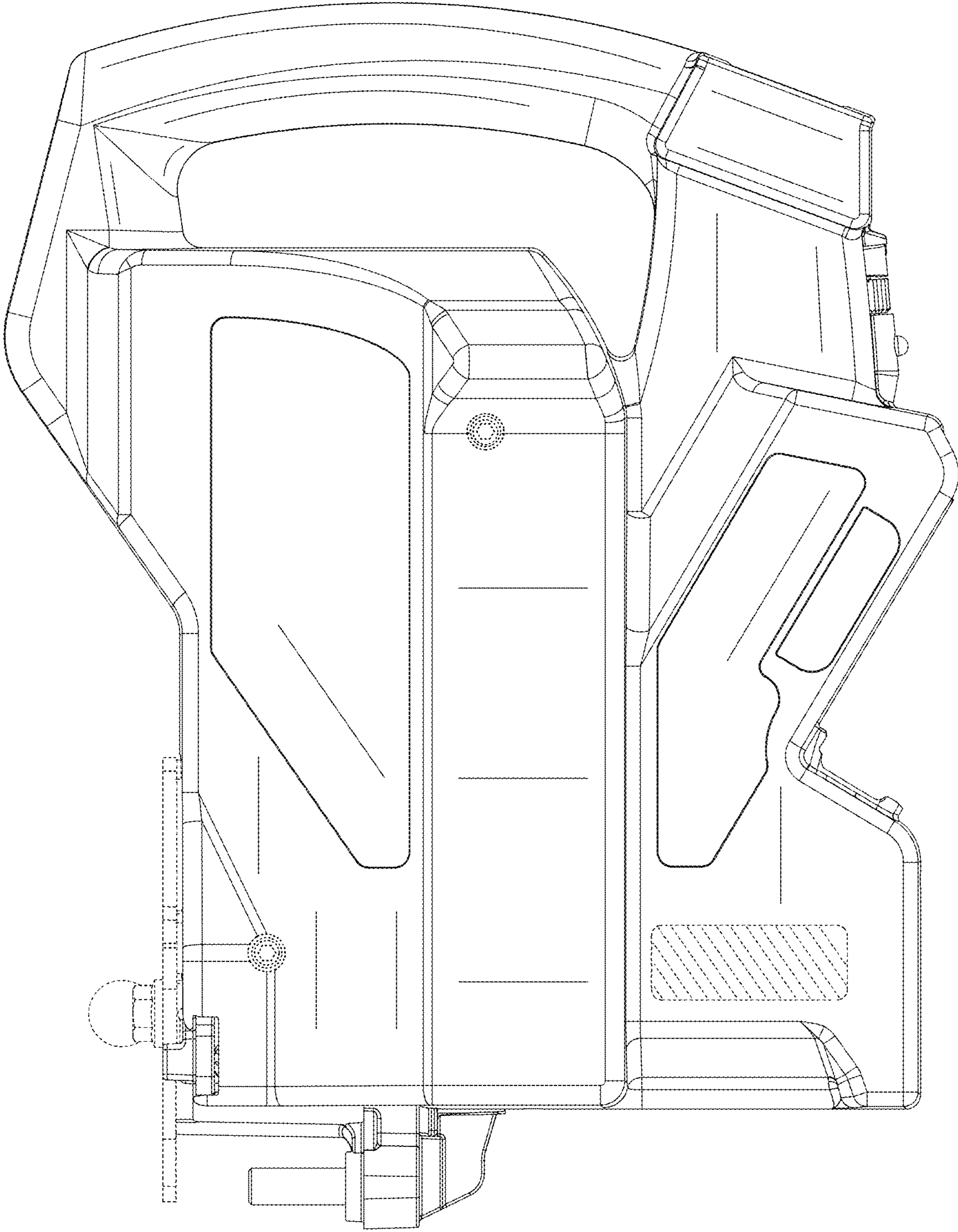


Fig. 6

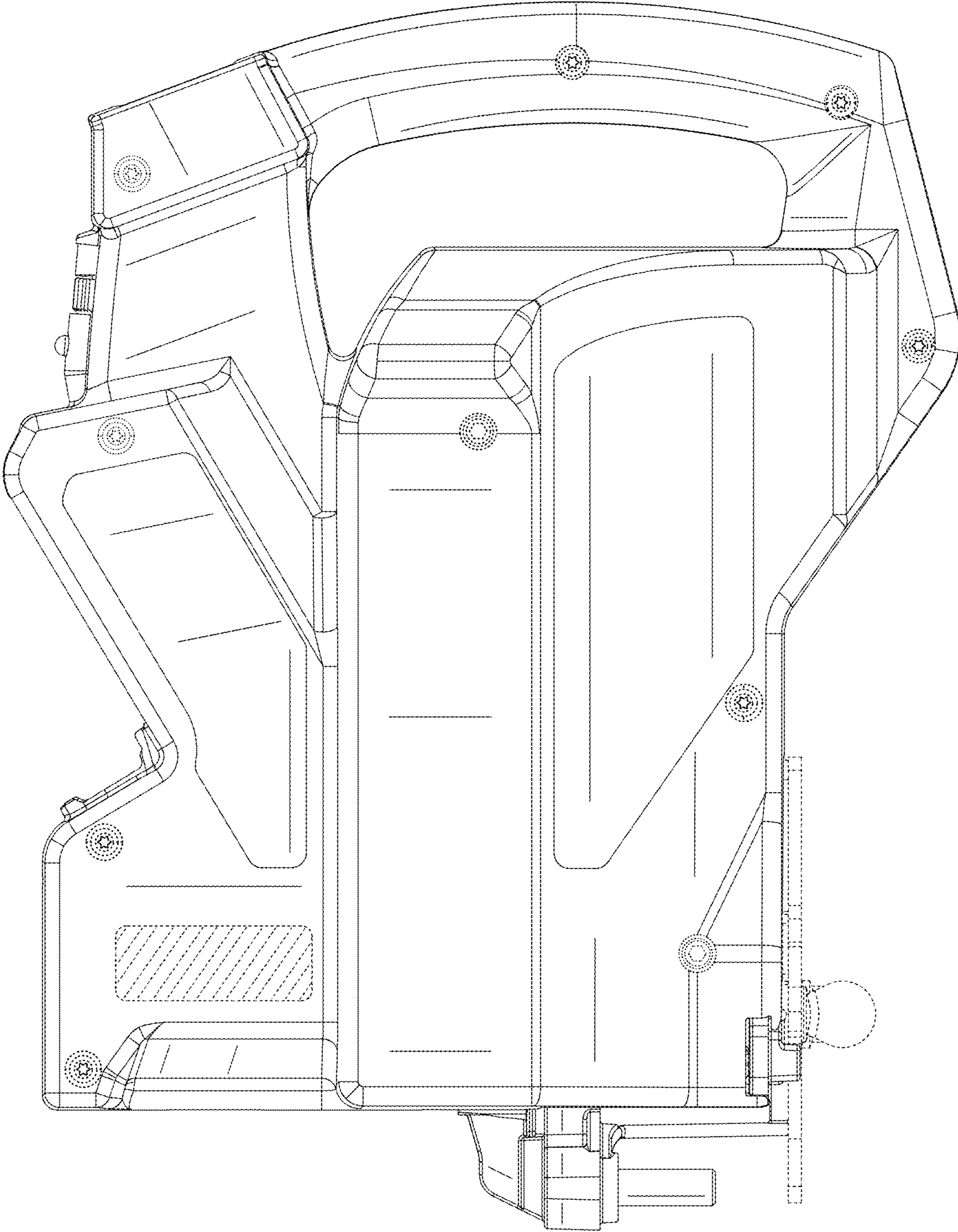


Fig. 7

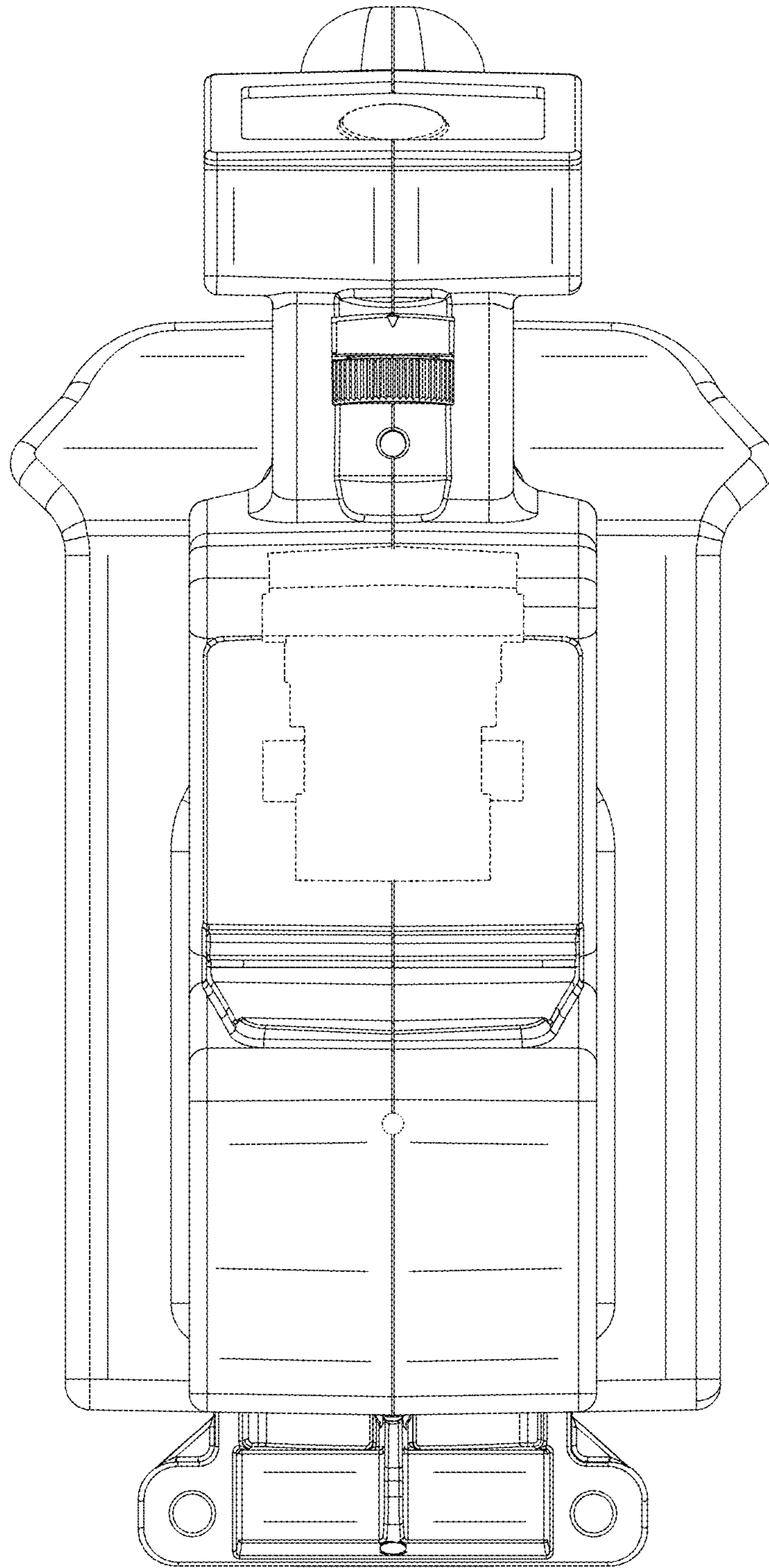


Fig. 8

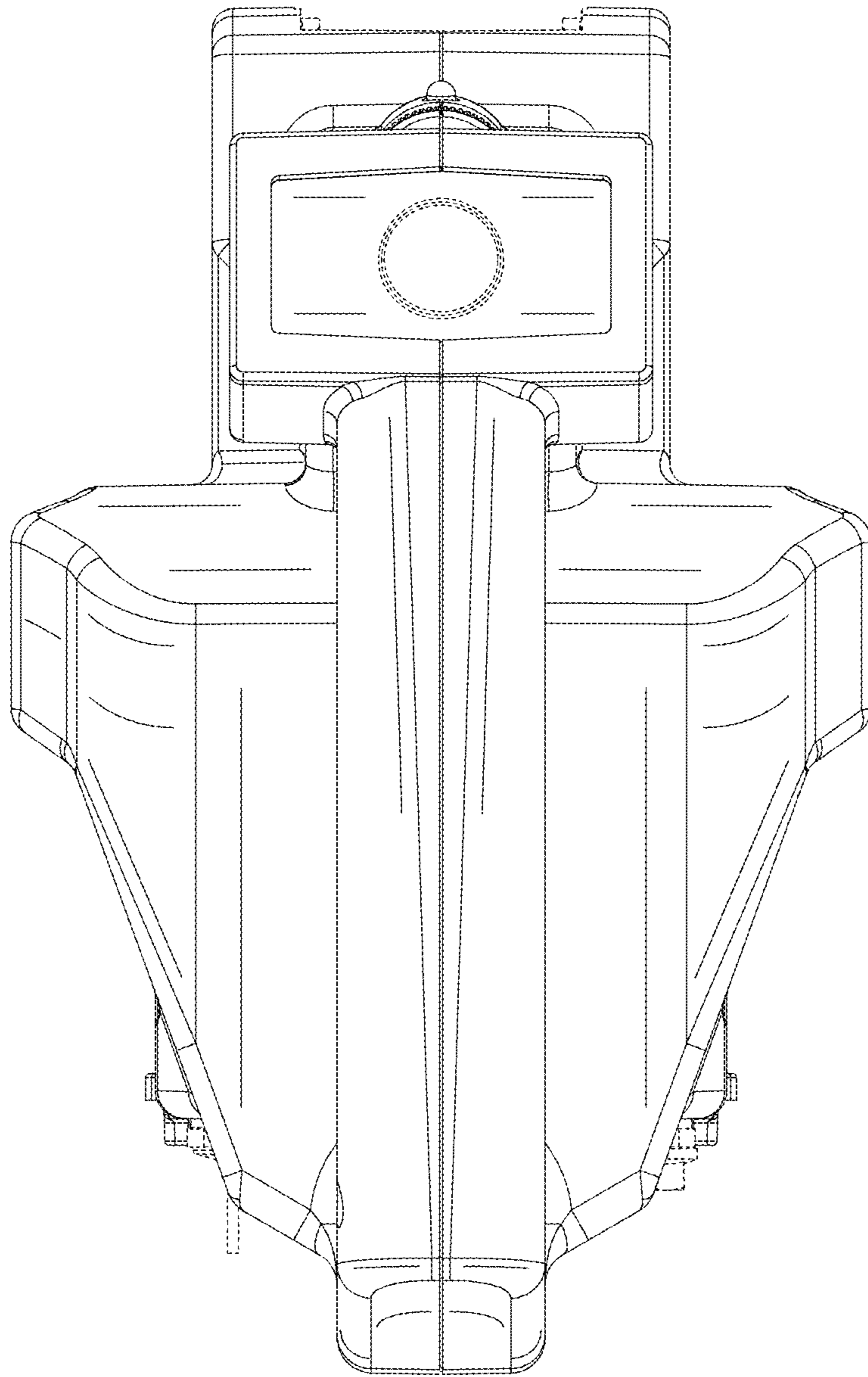


Fig. 9

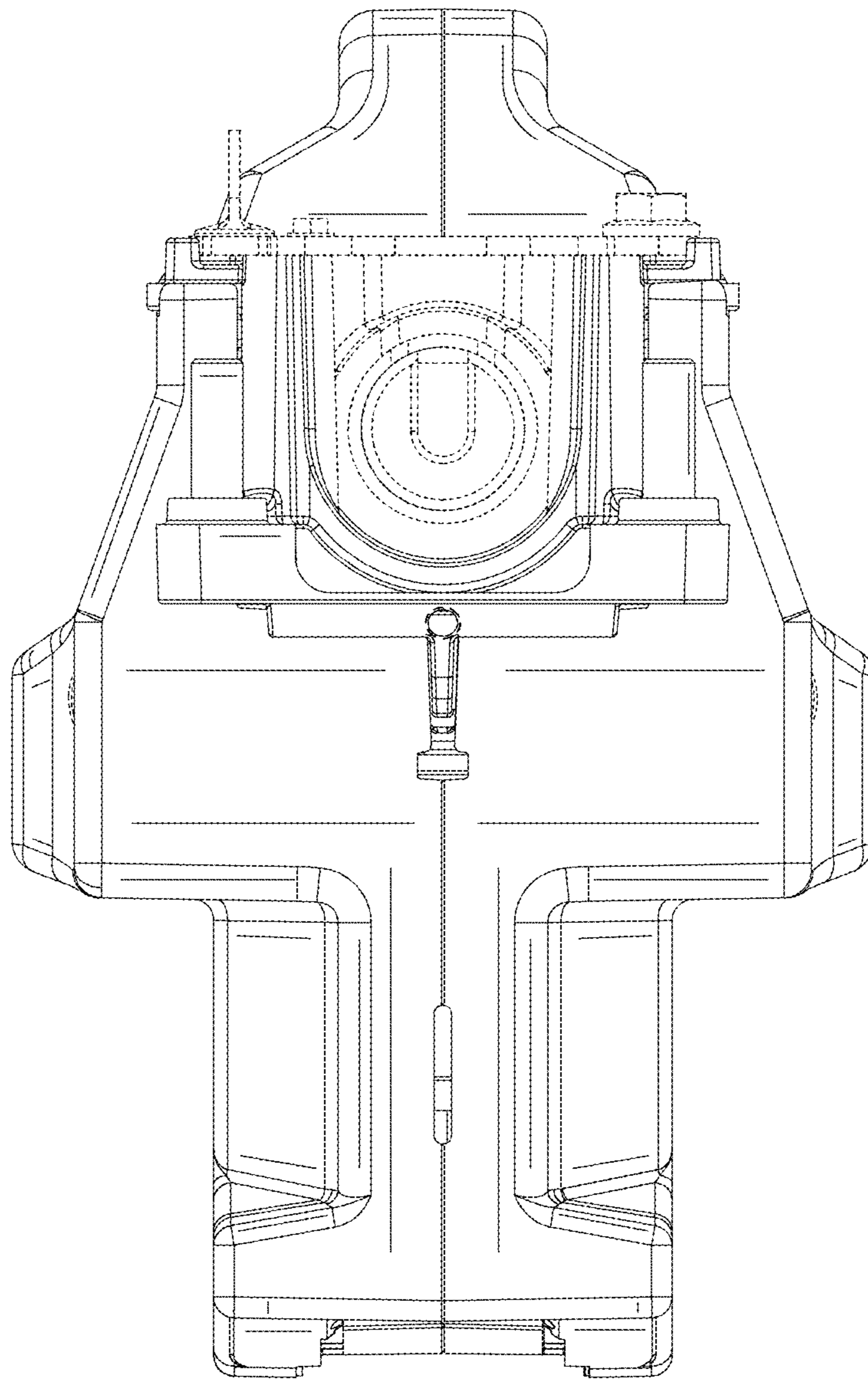


Fig. 10