



US00D955333S

(12) **United States Design Patent**
Xiao et al.

(10) **Patent No.:** **US D955,333 S**
(45) **Date of Patent:** **** Jun. 21, 2022**

(54) **CHARGER**

(71) Applicant: **SHENZHEN QIANHAI YIZE ELECTRONIC COMMERCE CO., LTD.**, Shenzhen (CN)

(72) Inventors: **Jia Xiao**, Shenzhen (CN); **Jinhong Wu**, Shenzhen (CN)

(73) Assignee: **SHENZHEN QIANHAI YIZE ELECTRONIC COMMERCE CO., LTD.**, Shenzhen (CN)

D788,699 S *	6/2017	Hoehn	D13/107
D788,762 S *	6/2017	Kim	D14/251
D789,348 S *	6/2017	Kim	D14/251
D799,463 S *	10/2017	Deng	D14/252
D804,483 S *	12/2017	Minoli	D14/434
D811,414 S *	2/2018	Lee	D14/447
D813,805 S *	3/2018	Zhong	D13/108
D816,027 S *	4/2018	Chen	D13/108
D816,656 S *	5/2018	Kim	D14/251
D816,657 S *	5/2018	Kim	D14/251
D851,587 S *	6/2019	Schmidt	D13/108
D874,452 S *	2/2020	Chen	D14/252

(Continued)

(**) Term: **15 Years**

(21) Appl. No.: **29/775,097**

(22) Filed: **Mar. 22, 2021**

Related U.S. Application Data

(62) Division of application No. 29/751,926, filed on Sep. 24, 2020, now Pat. No. Des. 920,238.

(51) **LOC (13) Cl.** **13-02**

(52) **U.S. Cl.**
USPC **D13/108**

(58) **Field of Classification Search**
USPC D13/107-108, 118-119, 184, 199, 110;
D14/251, 447, 432-434
CPC H02J 7/025; H02J 7/005; H02J 7/0026;
H02J 7/0042; H02J 7/0044; H02J 7/0045;
H02J 7/0013; H02J 7/0003; H02J 50/10;
H02J 50/12
See application file for complete search history.

(56) **References Cited**

U.S. PATENT DOCUMENTS

D455,713 S	4/2002	Forakis	
D762,650 S *	8/2016	Dang D14/434
D776,053 S *	1/2017	Barnard D13/108
D788,094 S *	5/2017	Kim D14/251

OTHER PUBLICATIONS

“Wireless Charging Stand, GEEKERA 3 in 1 Wireless Charger Dock Station for Apple Watch 7 6 SE 5 4 3 2, AirPods 2/Pro, iPhone 13Pro Max/13 Pro/13/12/12PRO/11/11 Pro/X/Xr, Qi-Certified Phones”, Amazon.com, first available on Jan. 12, 2020. Retrieved from the internet: <<https://www.amazon.com/Wireless-Charging-GEEKERA-Charger-Qi-Certified/dp/B083S8418Z?th=1>>(Year: 2020).*

Primary Examiner — Rosemary K Tarcza

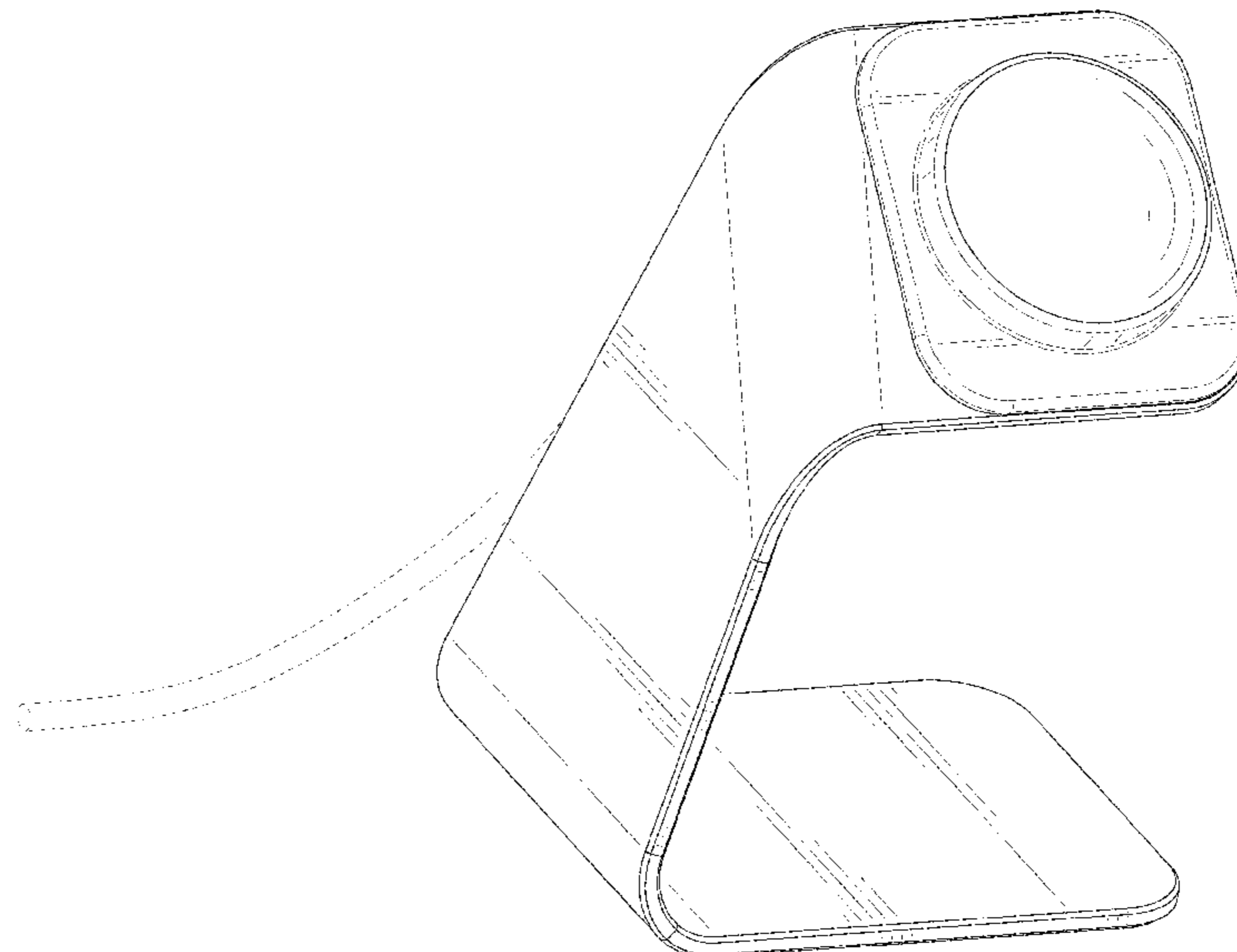
(57) **CLAIM**

The ornamental design for a charger, as shown and described.

DESCRIPTION

FIG. 1 is a perspective view of a charger showing my new design;
FIG. 2 is another perspective view thereof;
FIG. 3 is a front elevational view thereof;
FIG. 4 is a rear elevational view thereof;
FIG. 5 is a left side elevational view thereof;
FIG. 6 is a right side elevational view thereof;
FIG. 7 is a top plan view thereof; and,
FIG. 8 is a bottom plan view thereof.
The broken lines in the drawings depict portions of the charger that form no part of the claimed design.

1 Claim, 8 Drawing Sheets



(56)

References Cited

U.S. PATENT DOCUMENTS

D884,622	S	*	5/2020	Huang	D13/108
D886,051	S	*	6/2020	Chen	D13/108
D892,046	S	*	8/2020	Peng	D13/108
D893,422	S	*	8/2020	Xiao	D13/108
D915,277	S	*	4/2021	Peng	D13/108
D920,237	S	*	5/2021	Huang	D13/108
D920,238	S	*	5/2021	Xiao	D13/108
D920,240	S	*	5/2021	Xiao	D13/108
D920,241	S	*	5/2021	Xiao	D13/108
D928,703	S	*	8/2021	Liao	D13/108
D930,582	S	*	9/2021	Lee	D13/108
D930,583	S	*	9/2021	Lee	D13/108
D931,208	S	*	9/2021	Liao	D14/252
D931,211	S	*	9/2021	Cheng	D13/108
D938,410	S	*	12/2021	Wang	D14/447
D944,198	S	*	2/2022	Wu	D13/108
2019/0190283	A1	*	6/2019	Lee	H02J 7/0013
2020/0185952	A1	*	6/2020	Morrow	H02J 50/005

* cited by examiner

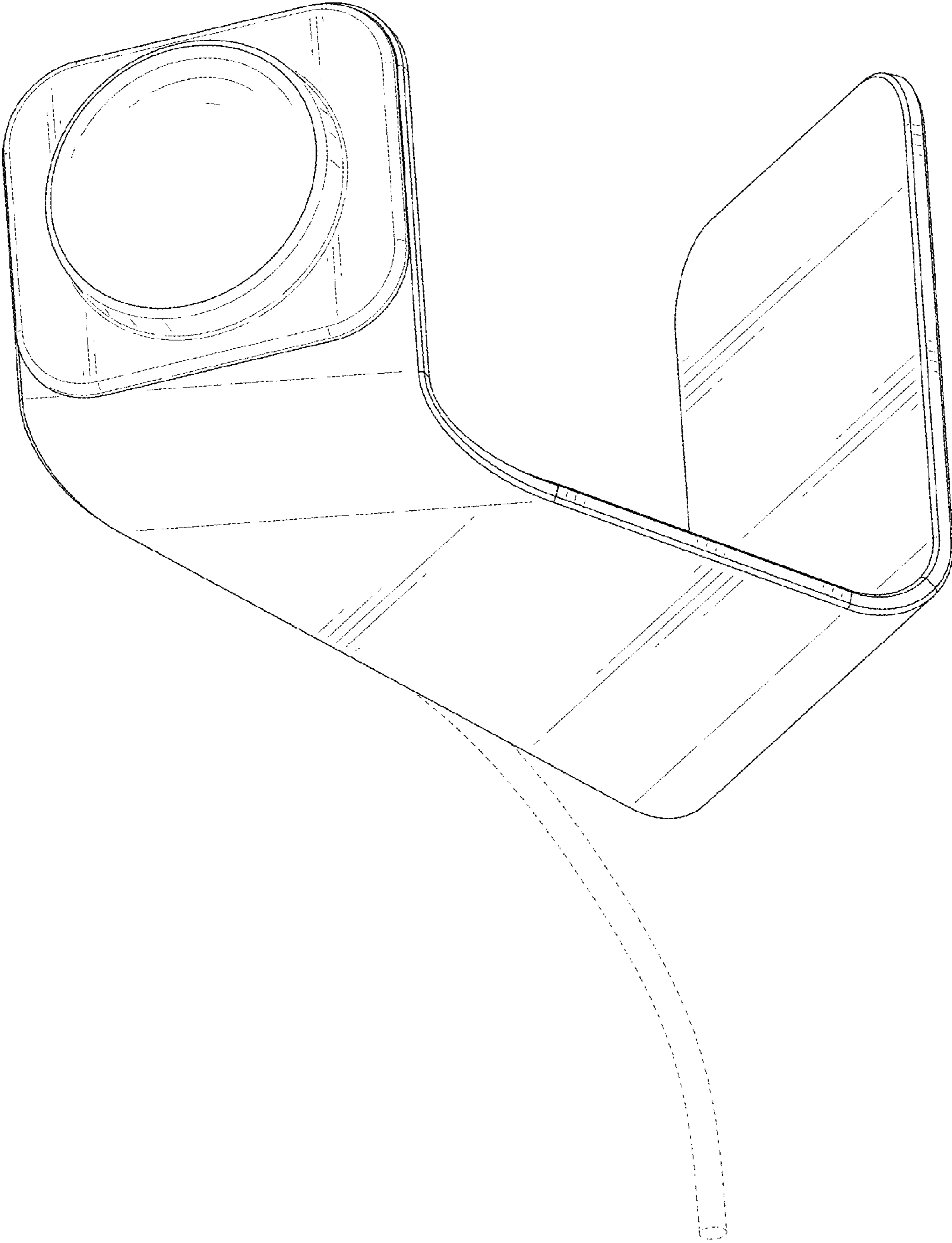


FIG. 1

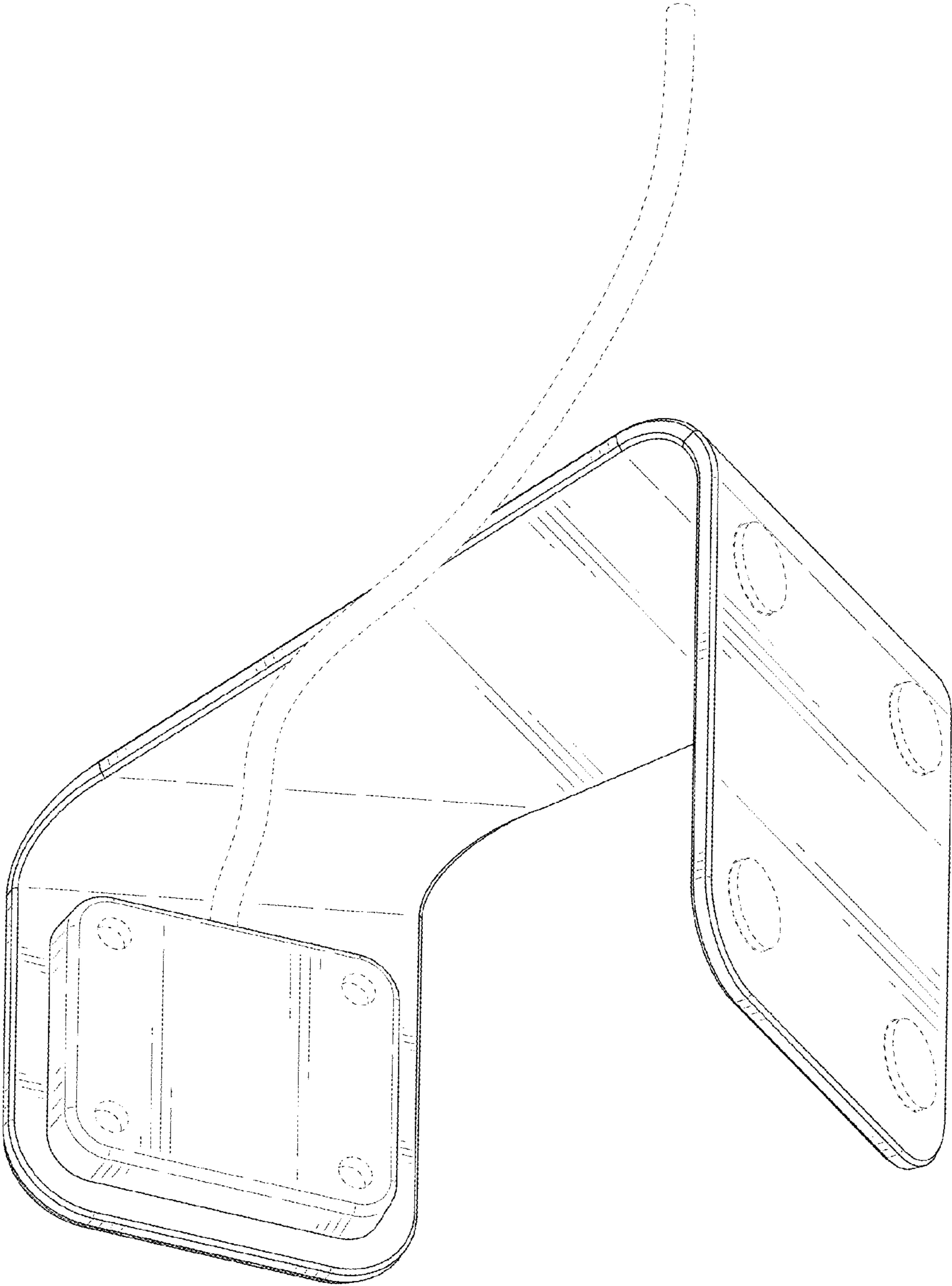


FIG. 2

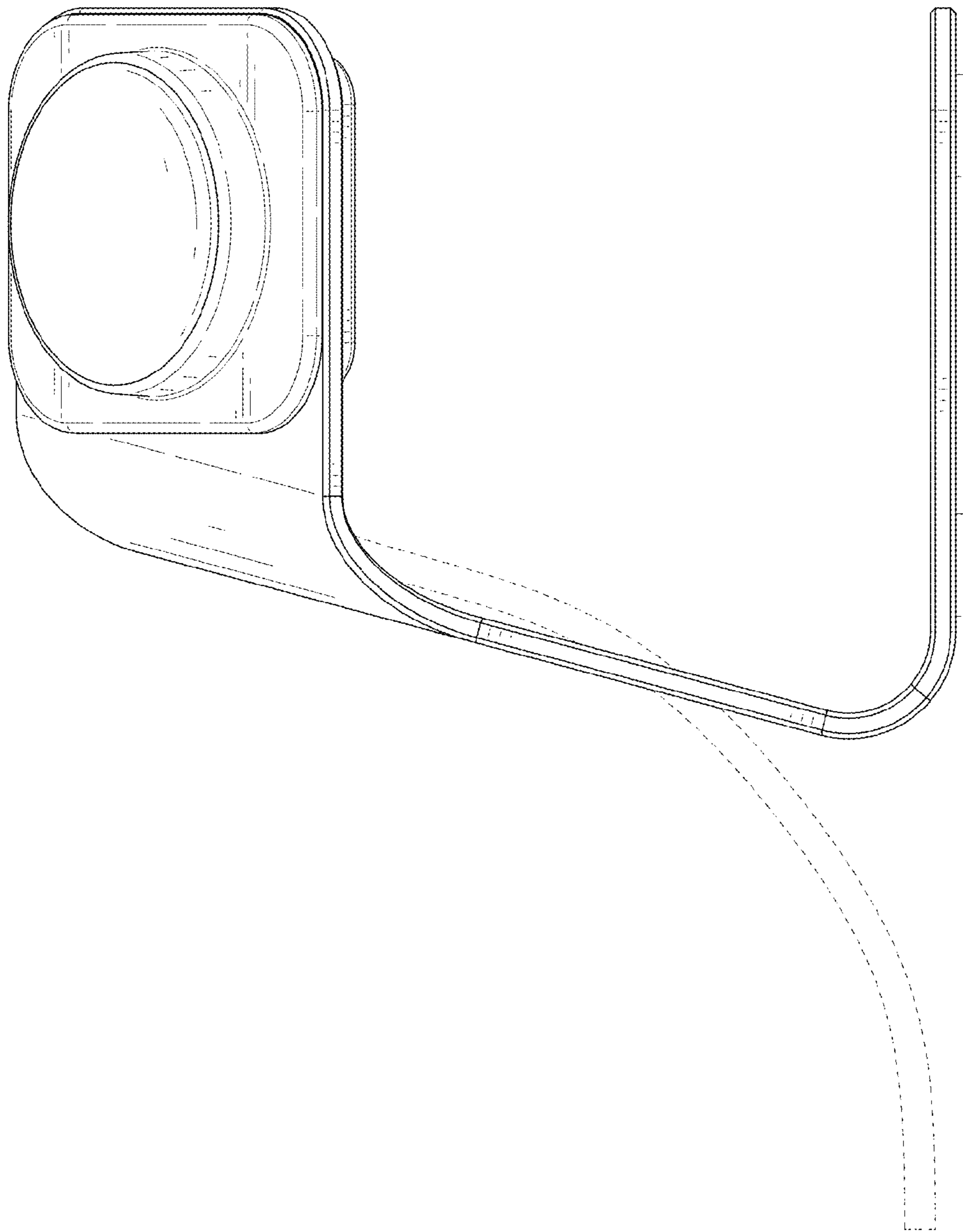


FIG. 3

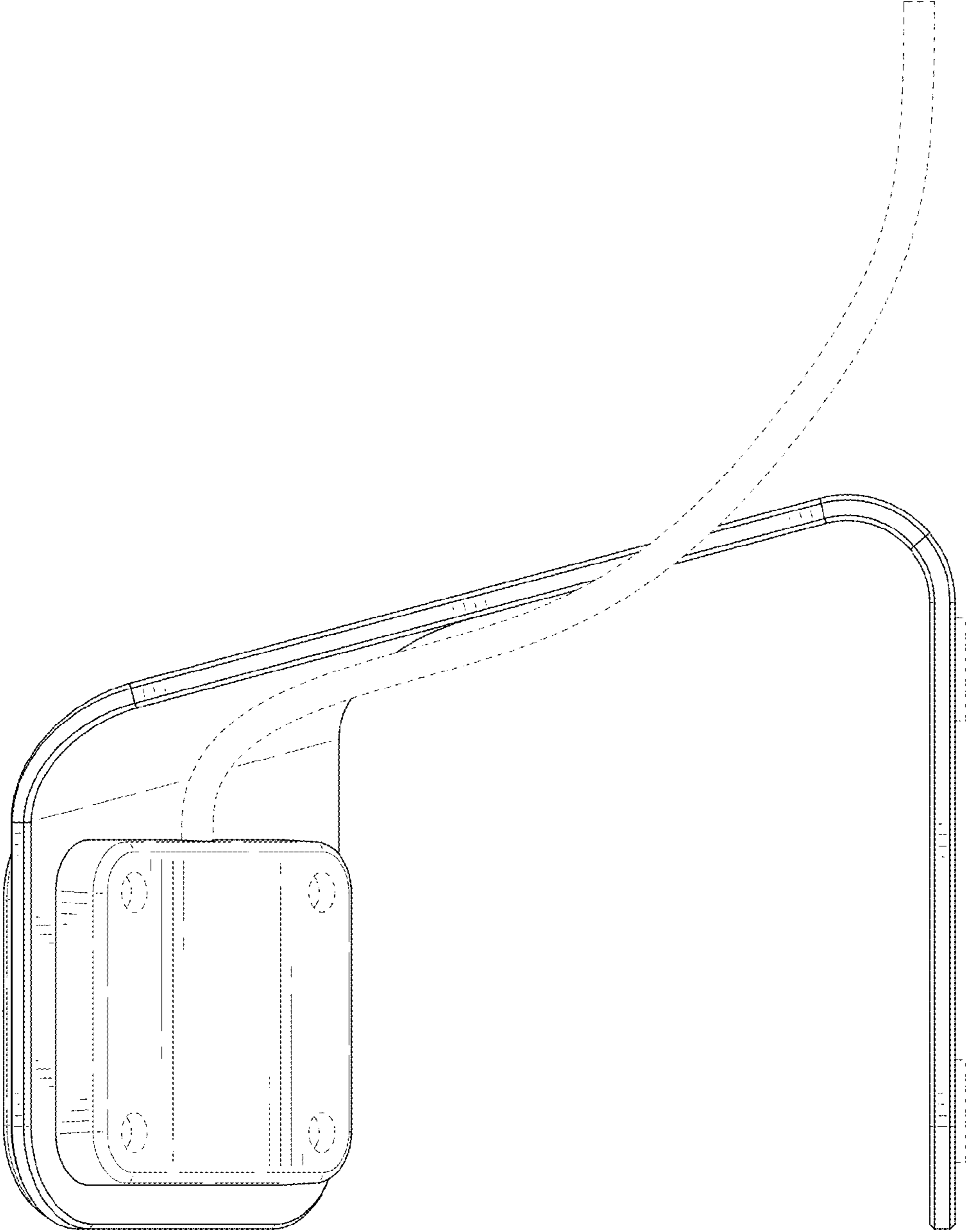


FIG. 4

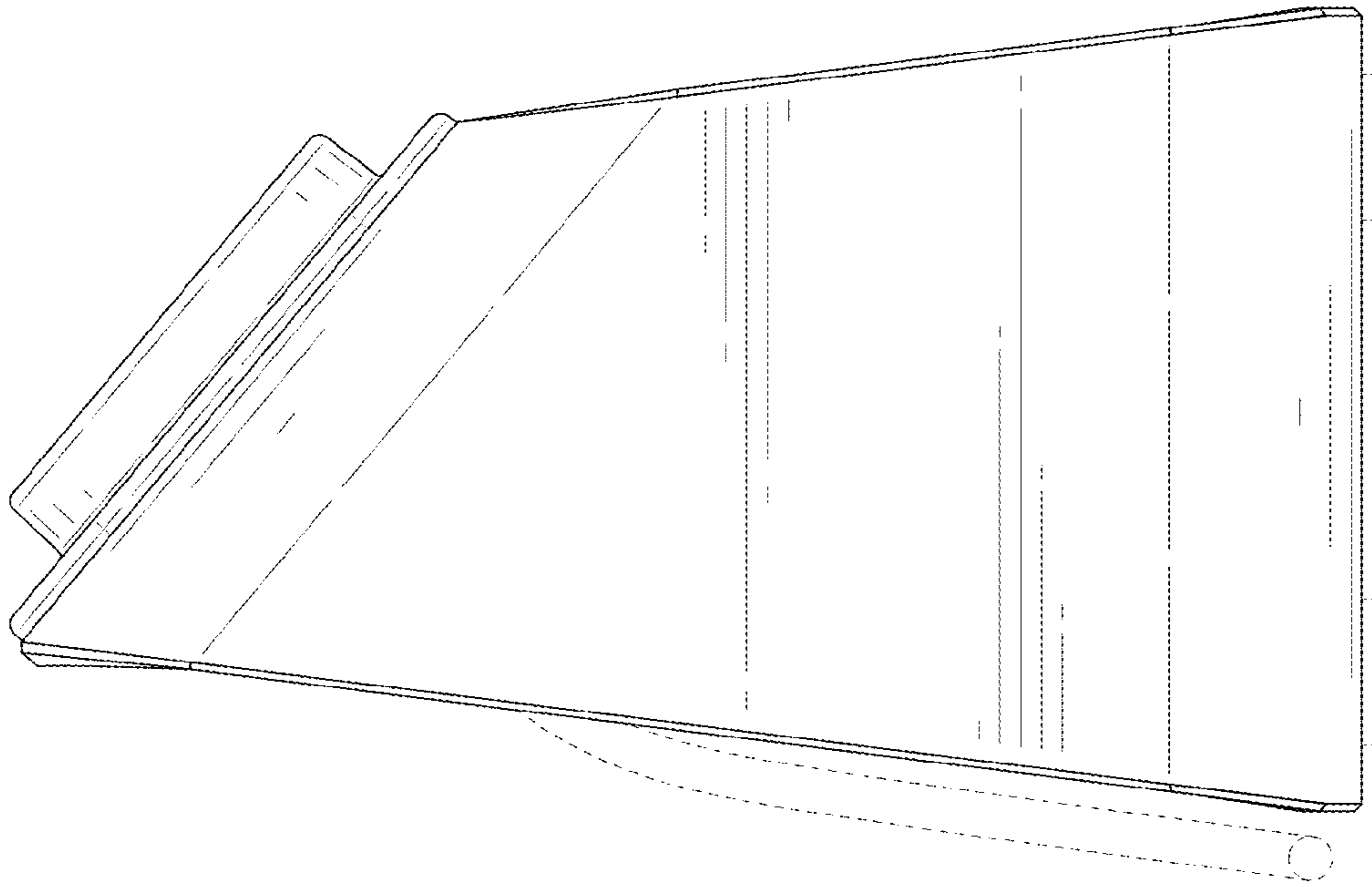


FIG. 5

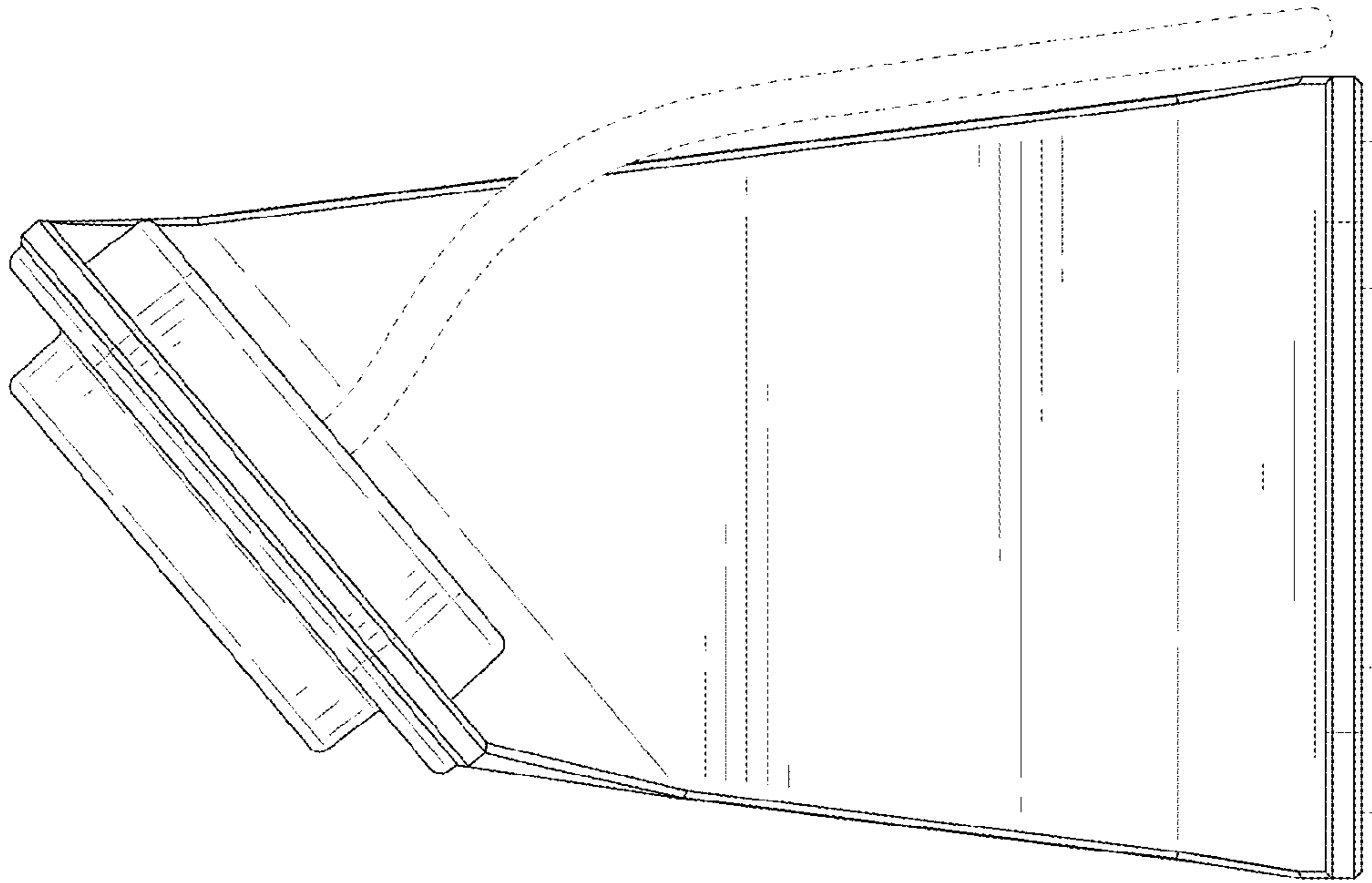


FIG. 6

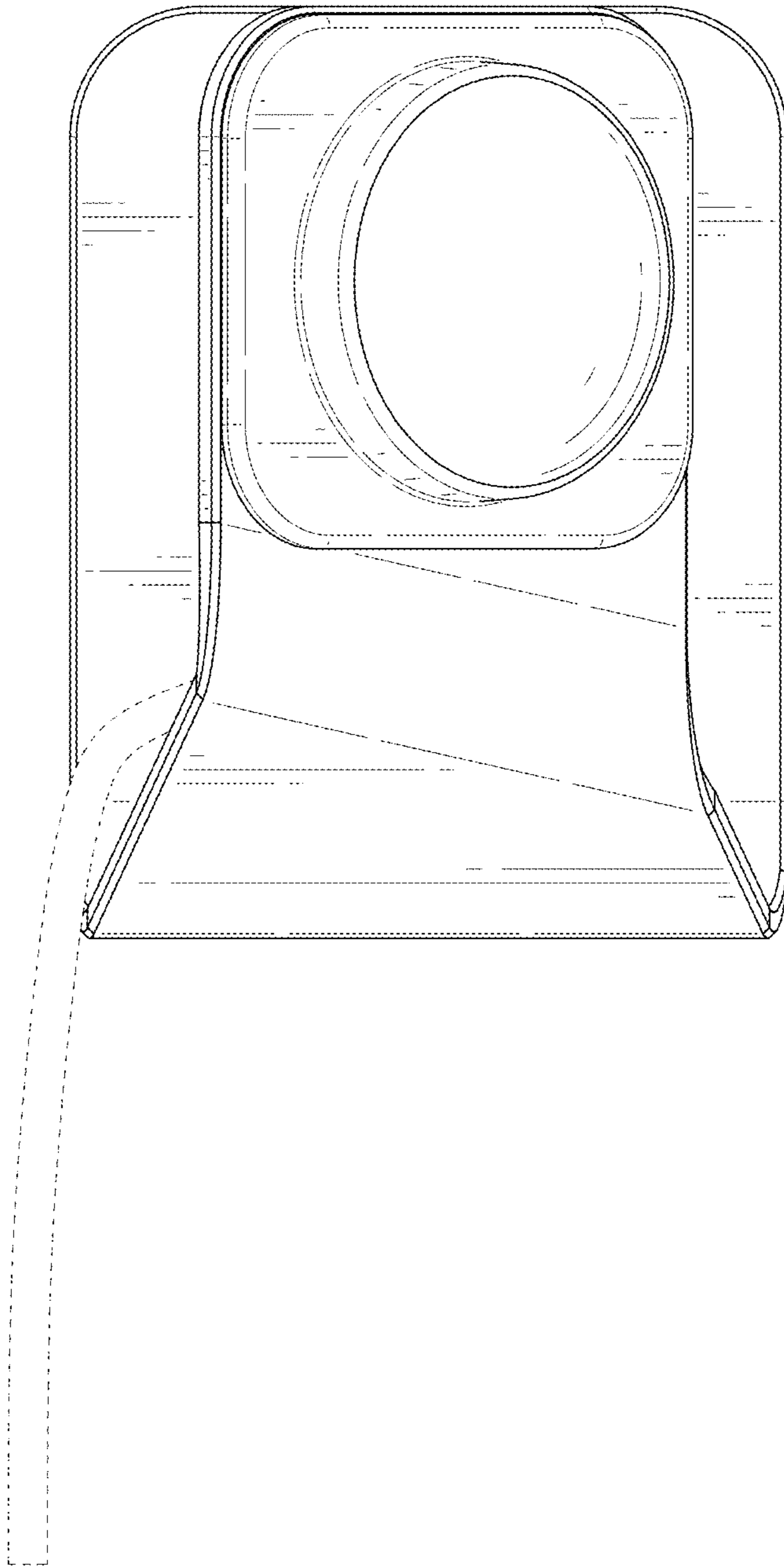


FIG. 7

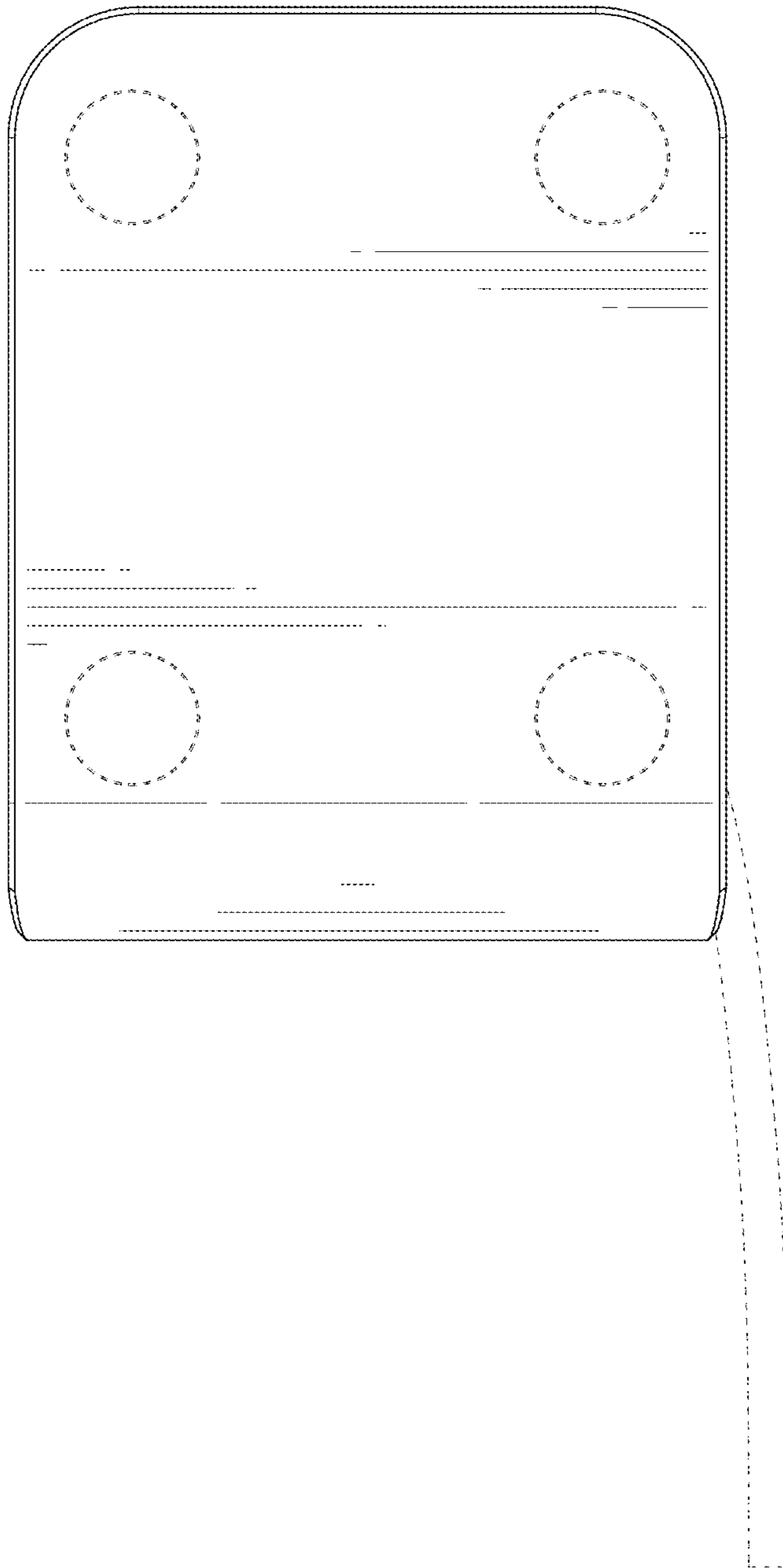


FIG. 8