



US00D955329S

(12) **United States Design Patent**
Yu

(10) **Patent No.:** **US D955,329 S**
(45) **Date of Patent:** **** Jun. 21, 2022**

(54) **STORAGE BATTERY**

(71) Applicant: **Shenzhen Lipower Technology Co., LTD**, Shenzhen (CN)

(72) Inventor: **Zhiyu Yu**, Shenzhen (CN)

(**) Term: **15 Years**

(21) Appl. No.: **29/751,036**

(22) Filed: **Sep. 17, 2020**

(30) **Foreign Application Priority Data**

Apr. 27, 2020 (CN) 202030181772.6

(51) **LOC (13) Cl.** **13-02**

(52) **U.S. Cl.**
USPC **D13/107; D13/103**

(58) **Field of Classification Search**
USPC D13/102-110, 118-119, 184; D14/251, D14/253, 432, 434
CPC Y02T 90/14; H02J 7/025; H02J 7/0042; H02J 7/0044; H02J 7/0045; H02J 7/0003; H02J 7/0034; H02J 7/1423; H01F 38/14; H01R 13/6675; H01M 10/44; H01M 10/46; H01M 10/425
See application file for complete search history.

(56) **References Cited**

U.S. PATENT DOCUMENTS

D654,023 S * 2/2012 Kyle Ching Hao D13/110
D664,499 S * 7/2012 Workman D13/107

D762,165 S * 7/2016 Rowe D13/103
D793,338 S * 8/2017 Zheng D13/116
D823,797 S * 7/2018 Krantz D13/110
D837,149 S * 1/2019 Yin D13/103
D842,240 S * 3/2019 Lai D13/107
D858,441 S * 9/2019 Chen D13/110
D864,866 S * 10/2019 Dong D13/116
D874,395 S * 2/2020 Sun D13/106
D934,797 S * 11/2021 Su D13/103
D937,207 S * 11/2021 Zhen D13/103
D942,940 S * 2/2022 Lai D13/103

* cited by examiner

Primary Examiner — Nathaniel D. Buckner

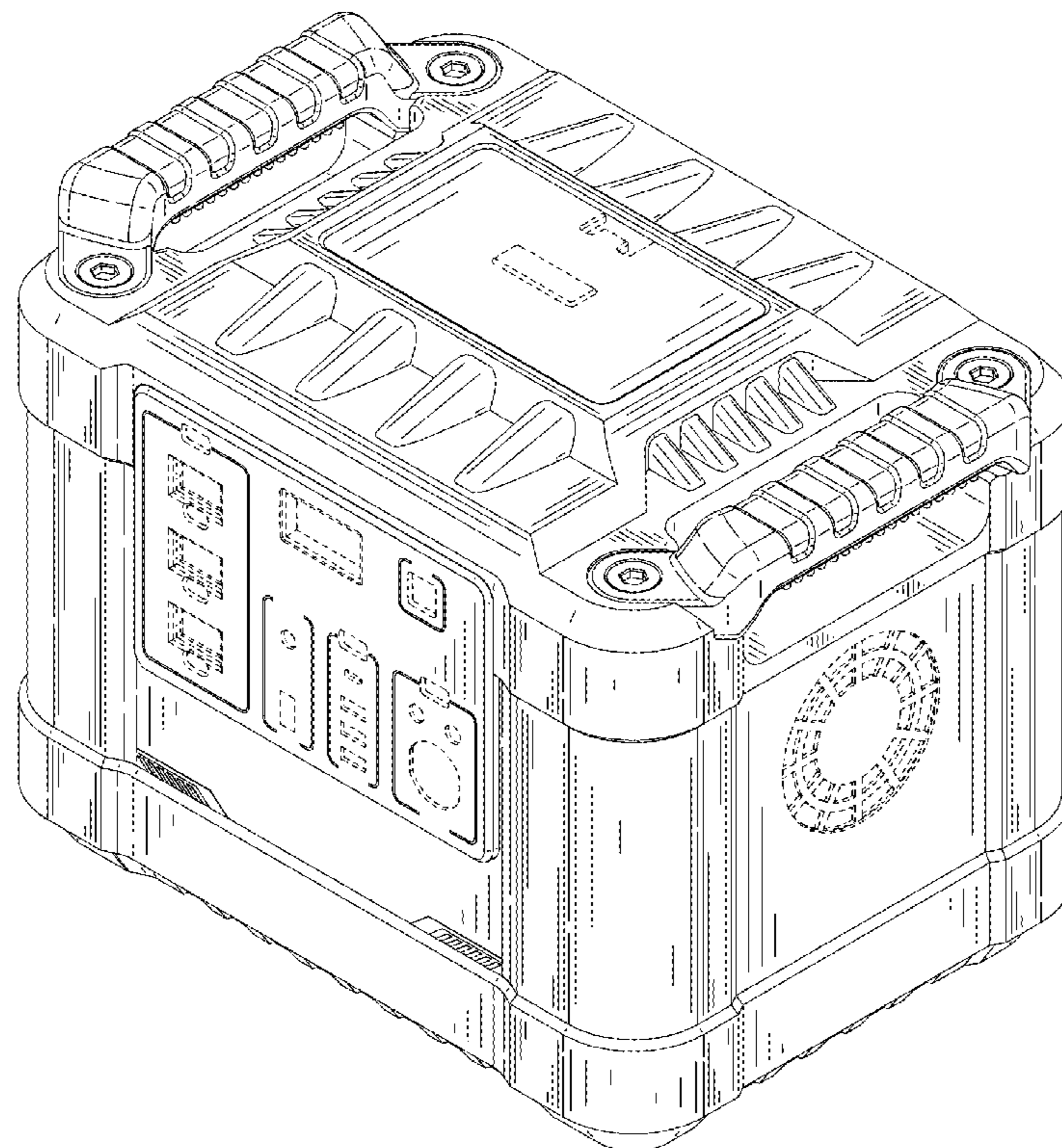
(57) **CLAIM**

The ornamental design for a storage battery, as shown and described.

DESCRIPTION

FIG. 1 is a first perspective view of a storage battery showing my new design;
FIG. 2 is a second perspective view thereof;
FIG. 3 is a front view thereof;
FIG. 4 is a back view thereof;
FIG. 5 is a left side view thereof;
FIG. 6 is a right side view thereof;
FIG. 7 is a top view thereof; and,
FIG. 8 is a bottom view thereof.
The broken lines shown in the drawings depict portions of the storage battery in which the design is embodied that form no part of the claimed design.

1 Claim, 8 Drawing Sheets



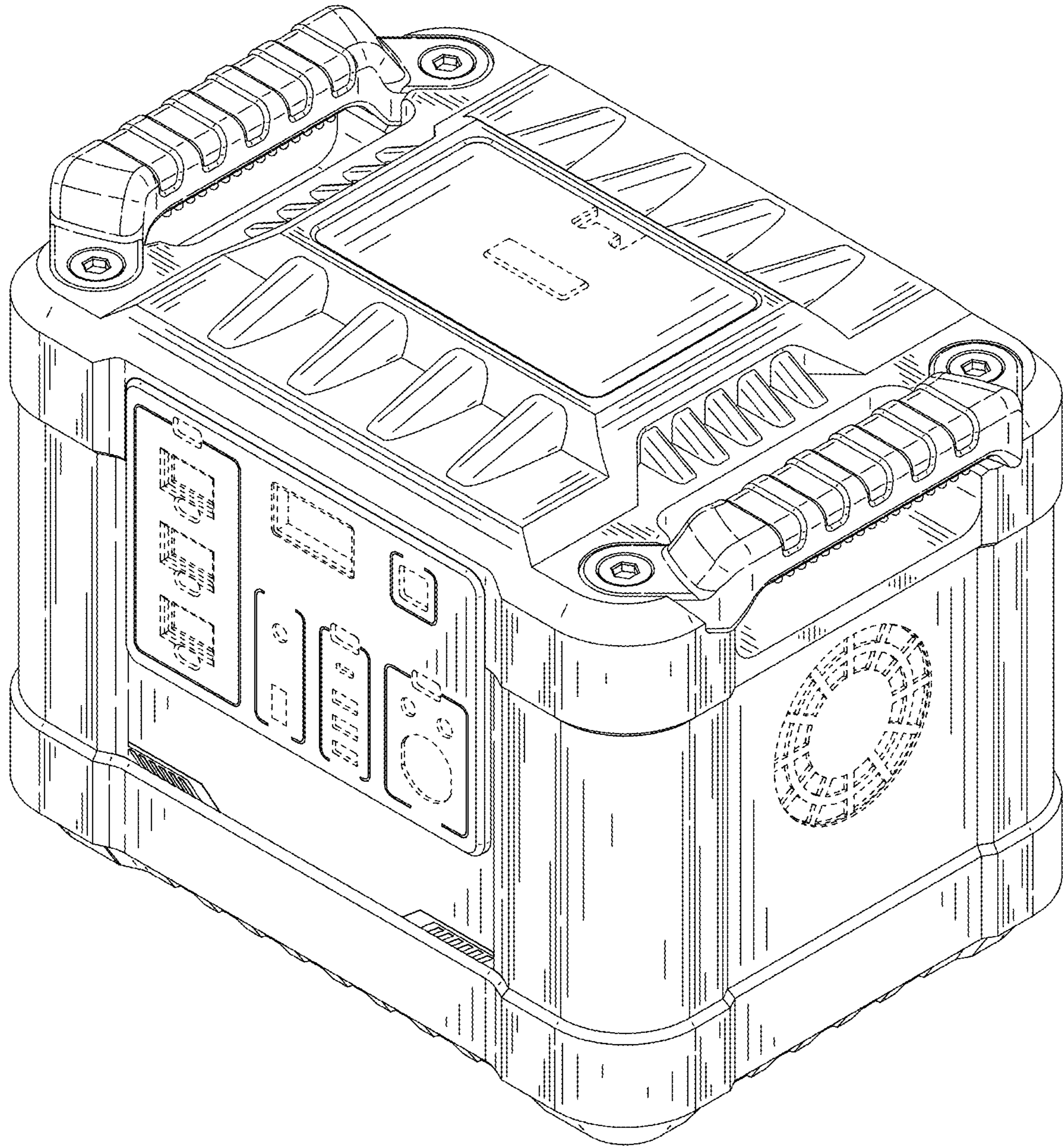


FIG. 1

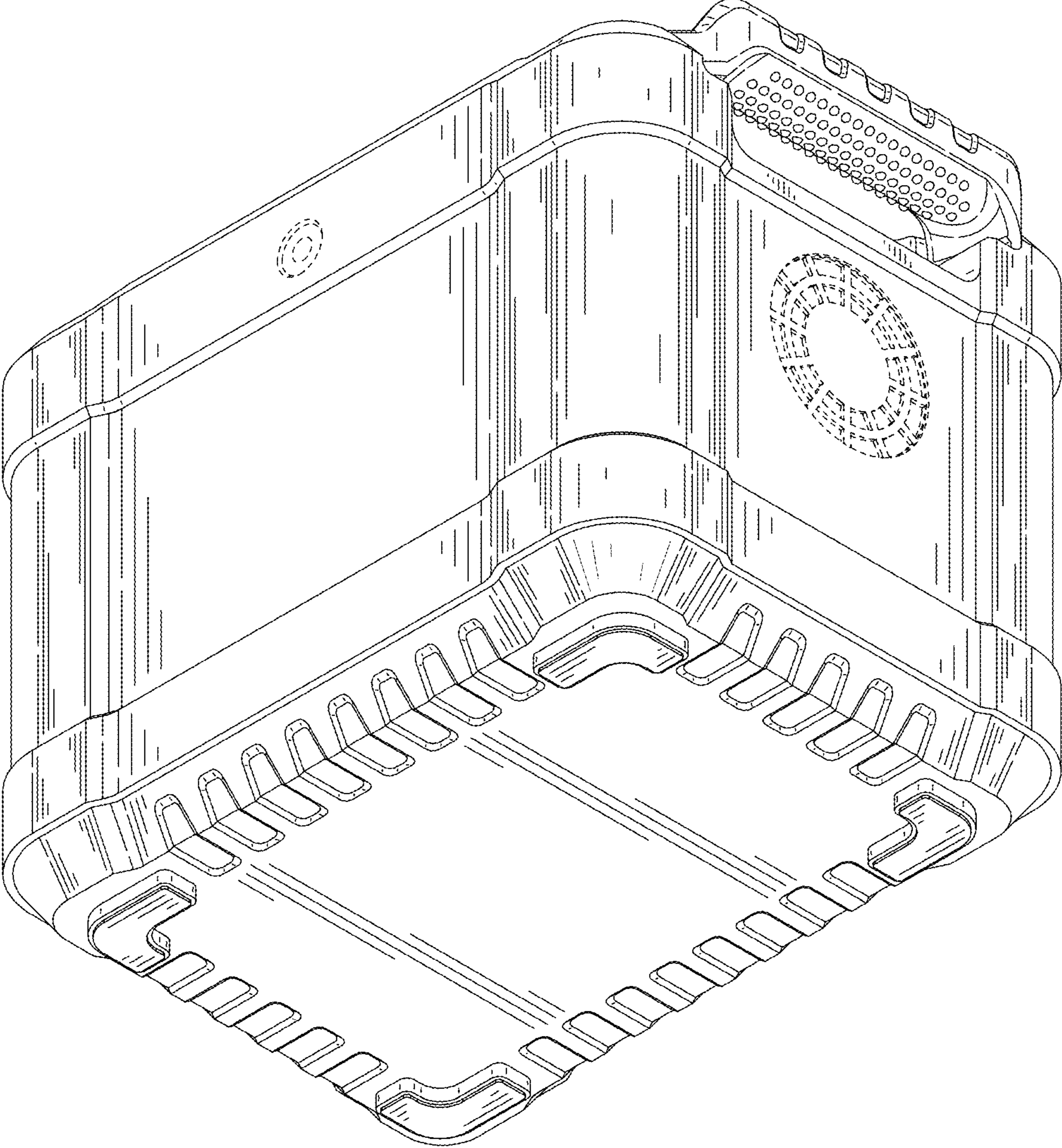


FIG. 2

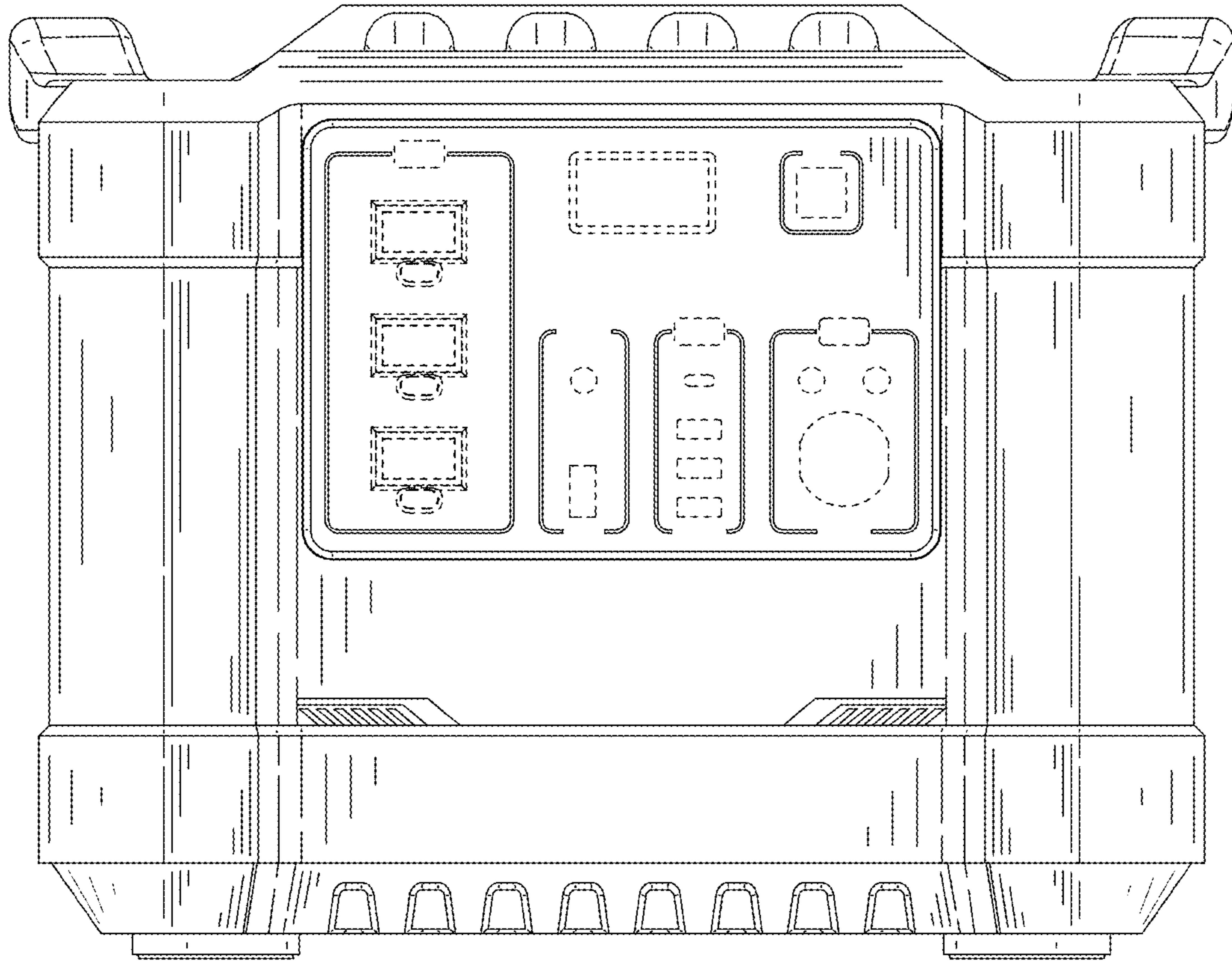


FIG. 3

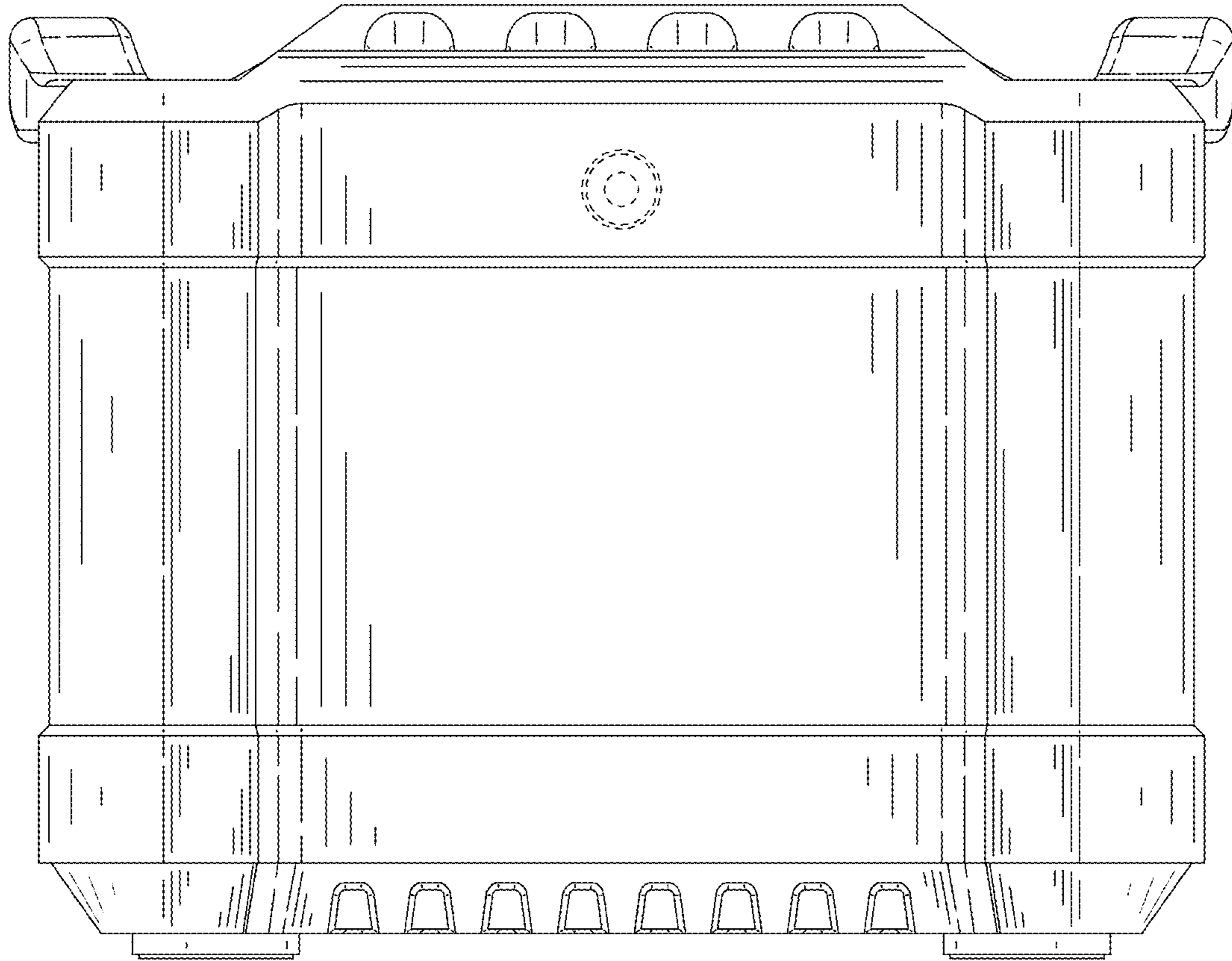


FIG. 4

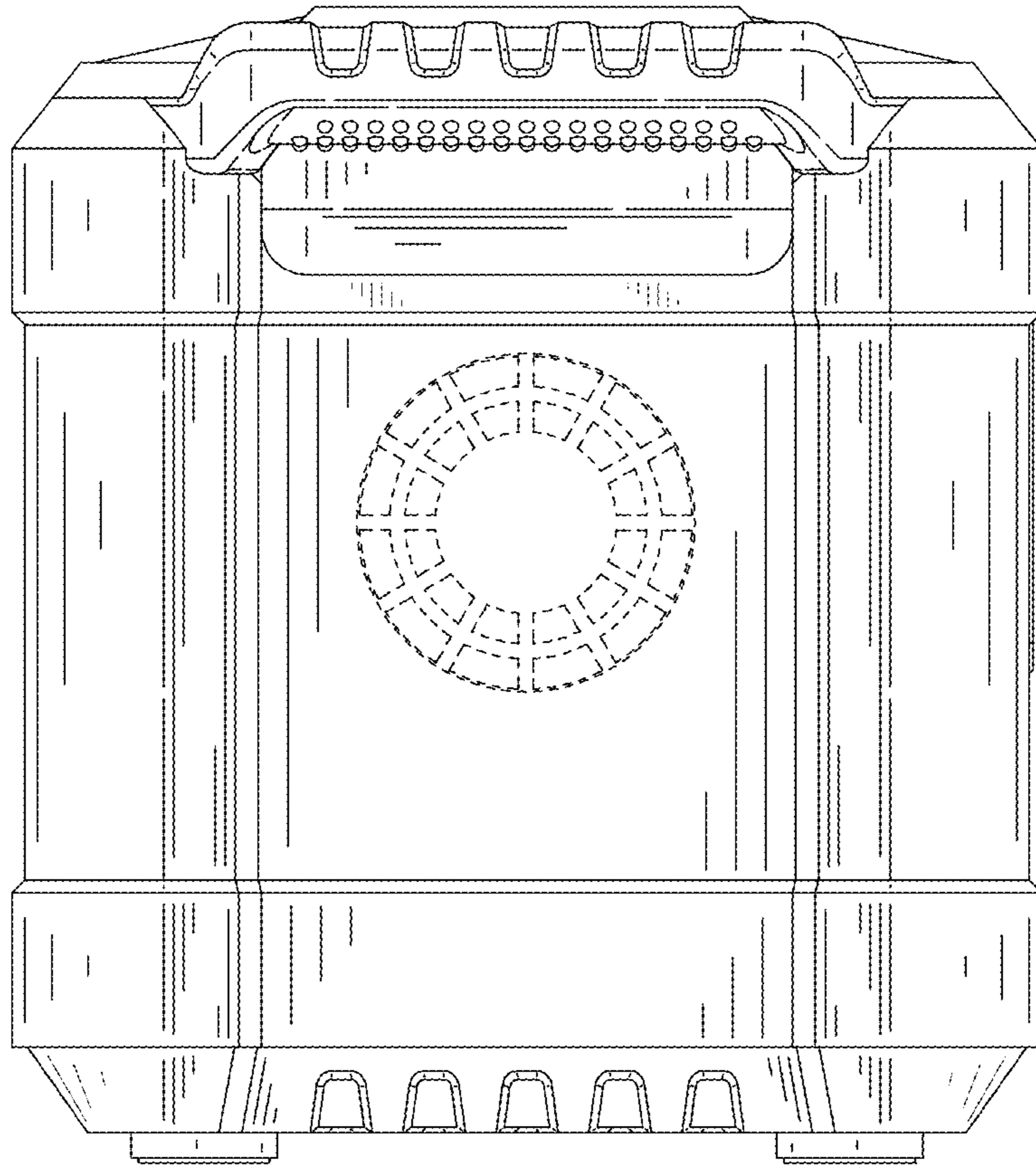


FIG. 5

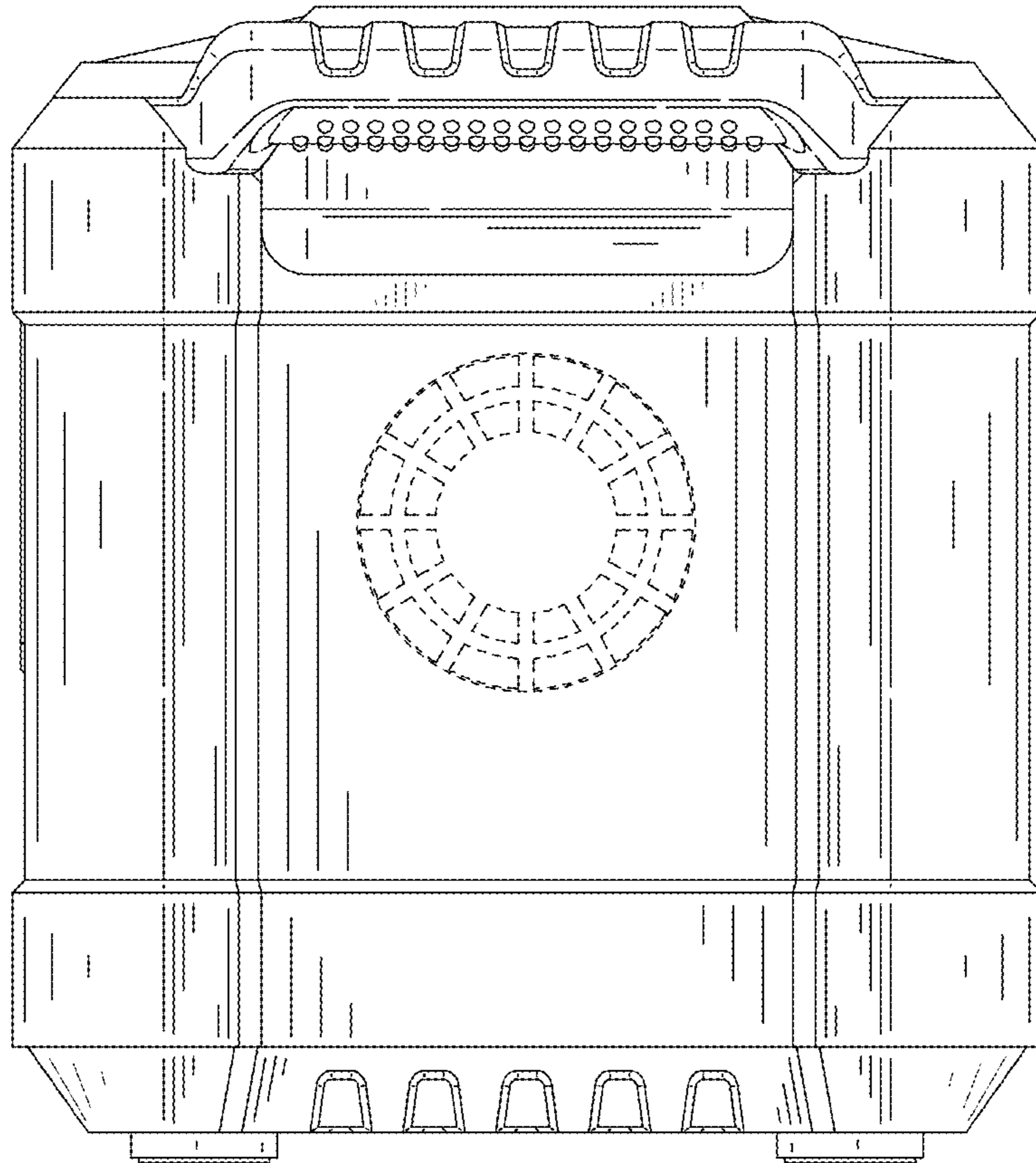


FIG. 6

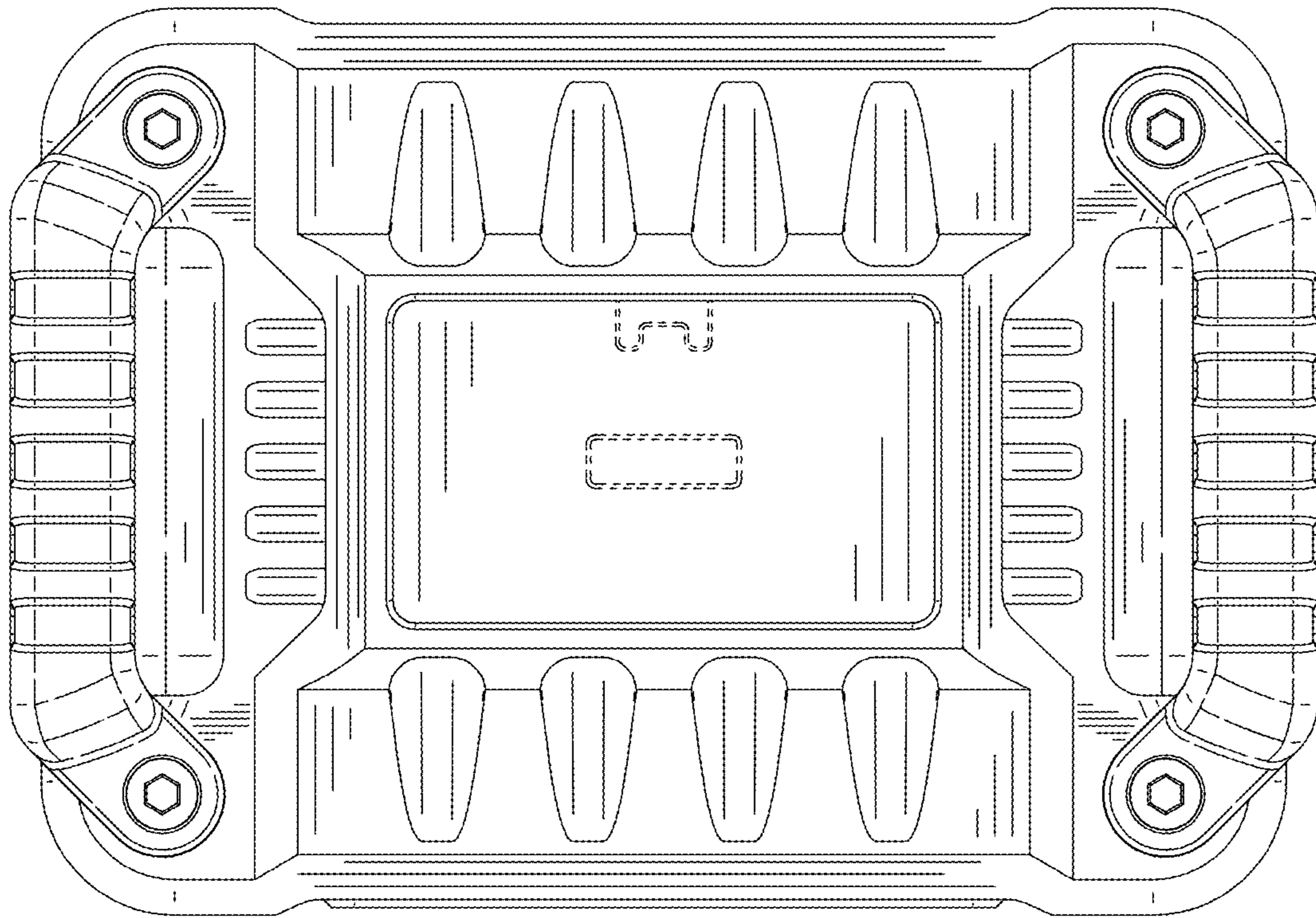


FIG. 7

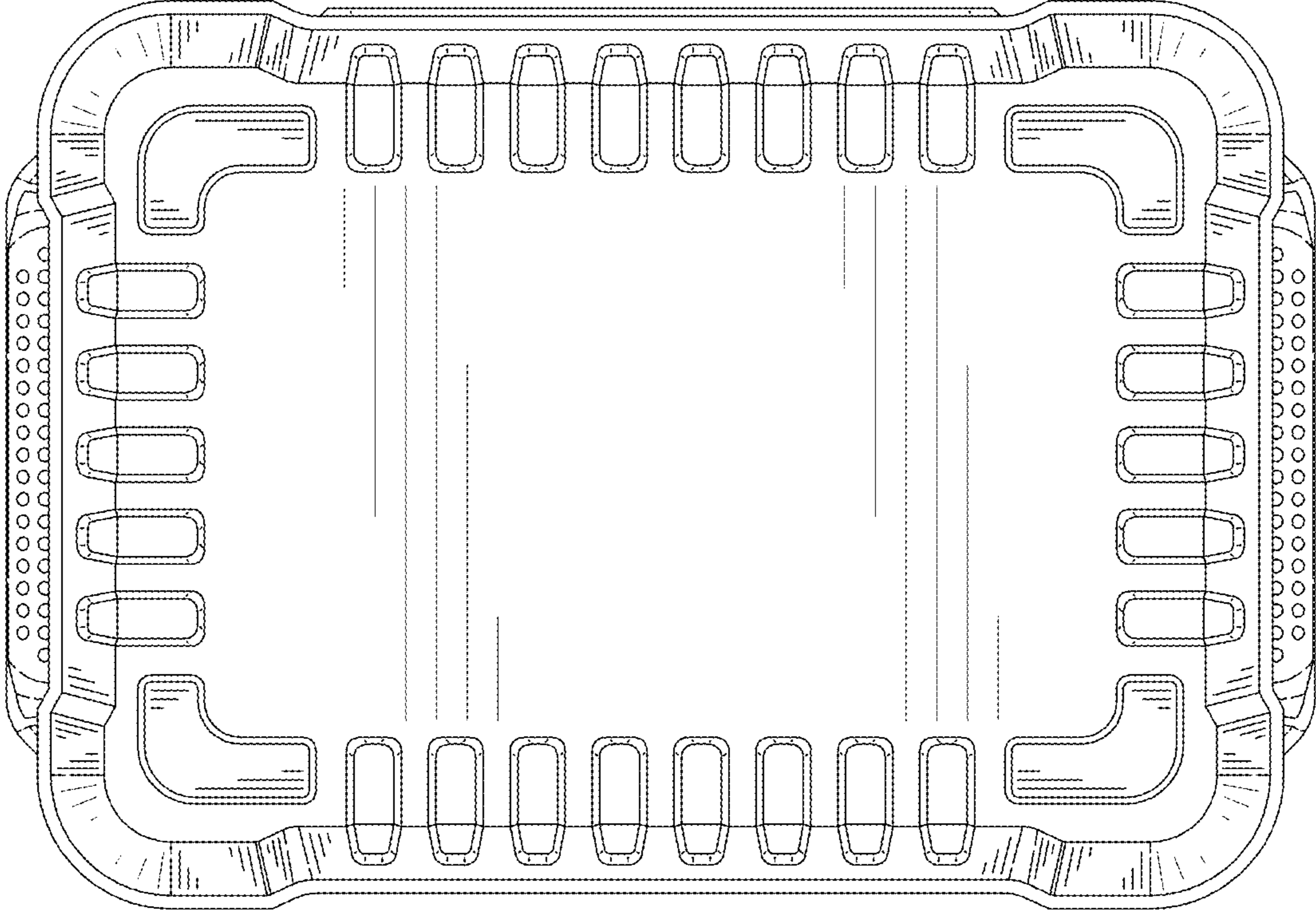


FIG. 8