



US00D955328S

(12) **United States Design Patent**
Lloyd

(10) **Patent No.:** **US D955,328 S**
(45) **Date of Patent:** **** Jun. 21, 2022**

- (54) **BATTERY PACK**
- (71) Applicant: **Techtest Limited**, Hereford (GB)
- (72) Inventor: **Jordan Edward Lloyd**, Hereford (GB)
- (73) Assignee: **TECHTEST LIMITED**, Hereford (GB)

D682,195 S *	5/2013	Aglassinger	D13/103
D699,672 S *	2/2014	Kosugi	D13/103
D783,523 S *	4/2017	Jang	D13/103
D842,237 S *	3/2019	Qiu	D13/103
D842,238 S *	3/2019	Qiu	D13/103
D858,433 S *	9/2019	Gan	D13/103
D911,932 S *	3/2021	Ensing	D13/103
2020/0328389 A1 *	10/2020	Lloyd	H01M 50/20

* cited by examiner

- (**) Term: **15 Years**
- (21) Appl. No.: **29/709,120**
- (22) Filed: **Oct. 11, 2019**

Primary Examiner — Rosemary K Tarcza
(74) *Attorney, Agent, or Firm* — Kilpatrick Townsend & Stockton LLP

(30) **Foreign Application Priority Data**

Apr. 11, 2019 (EM) 006375234

- (51) **LOC (13) Cl.** **13-02**
- (52) **U.S. Cl.**
USPC **D13/103**
- (58) **Field of Classification Search**
USPC D13/102–106, 110, 118–119, 184
CPC Y02E 60/10; H01M 6/00; H01M 6/14;
H01M 6/05; H01M 6/10; H01M 10/52
See application file for complete search history.

(57) **CLAIM**

The ornamental design for a battery pack, as shown and described.

DESCRIPTION

FIG. 1 is a perspective view of the battery pack from front, one side and above, showing my design;
FIG. 2 is a front view of the battery pack shown in FIG. 1;
FIG. 3 is a left side view of the battery pack shown in FIG. 1;
FIG. 4 is a right side view of the battery pack shown in FIG. 1;
FIG. 5 is a rear view of the battery pack shown in FIG. 1;
FIG. 6 is a top view of the battery pack shown in FIG. 1; and
FIG. 7 is a bottom view of the battery pack shown in FIG. 1.

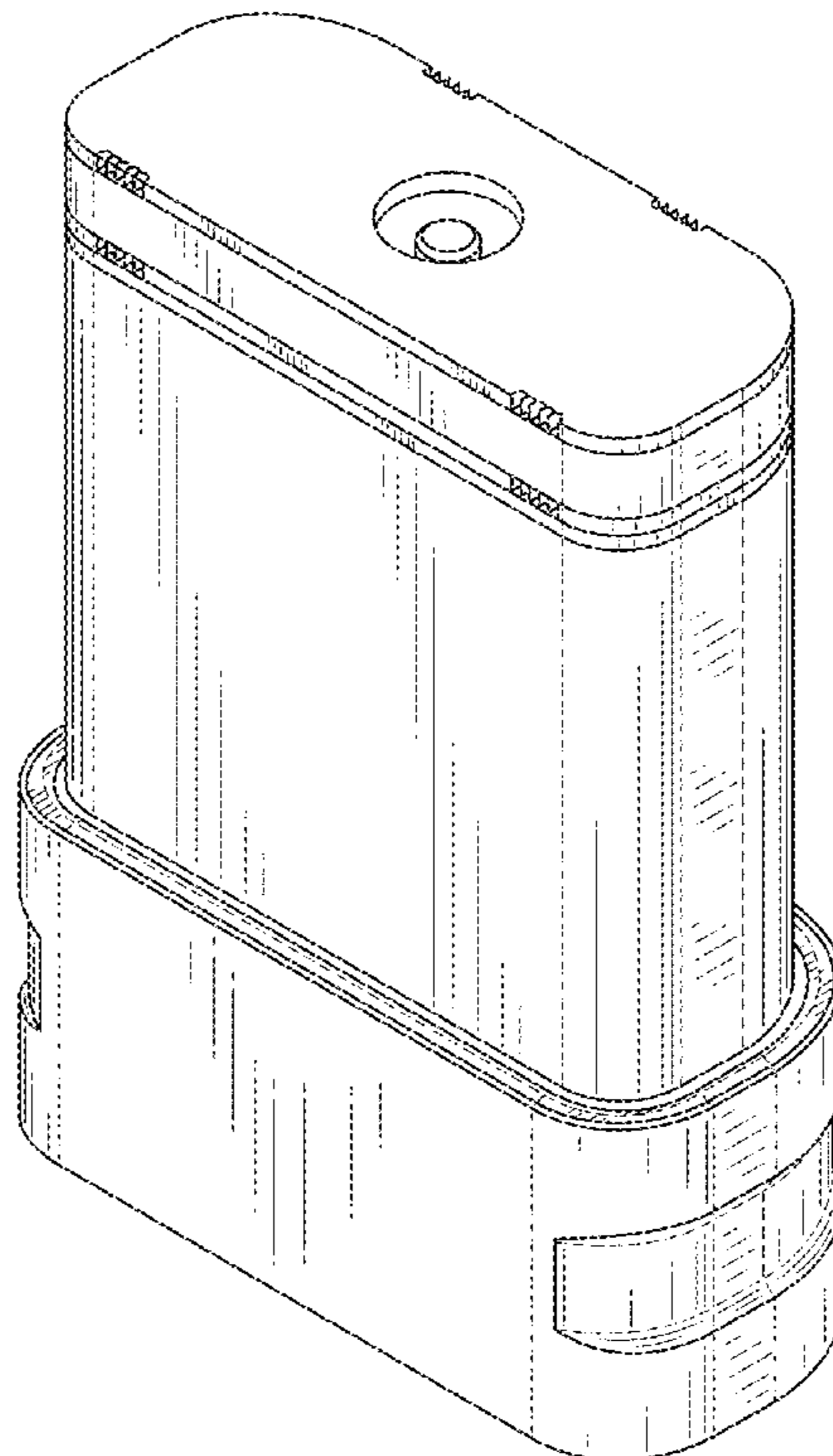
The broken lines illustrate portions of the battery pack that form no part of the claimed design.

(56) **References Cited**

U.S. PATENT DOCUMENTS

D323,642 S *	2/1992	Liao	D13/103
D481,008 S *	10/2003	Wade	D13/103
D492,248 S *	6/2004	Gregory	D13/103
D547,264 S *	7/2007	Kondo	D13/103
D681,549 S *	5/2013	Jackson	D13/103

1 Claim, 7 Drawing Sheets



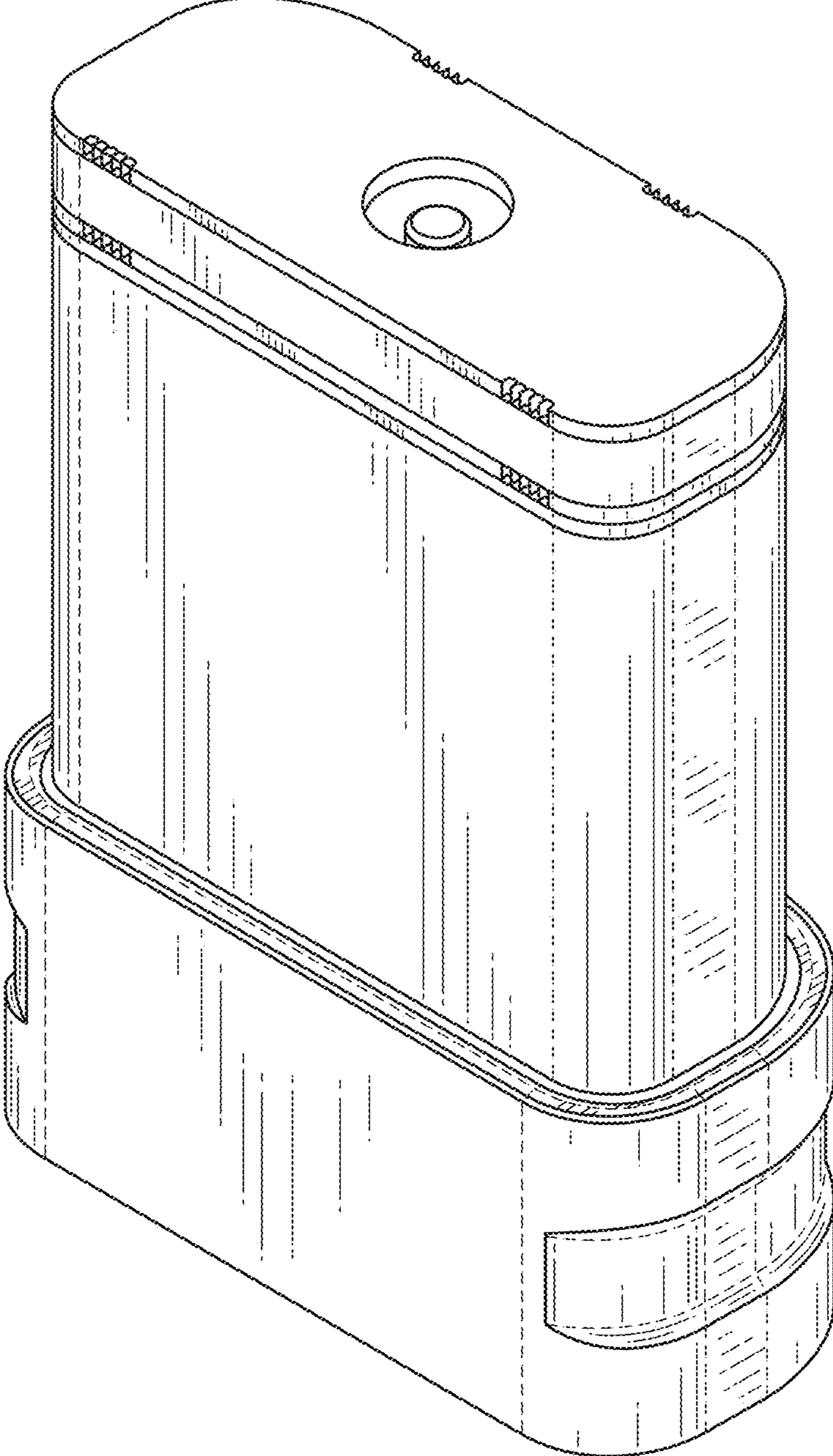


FIG. 1

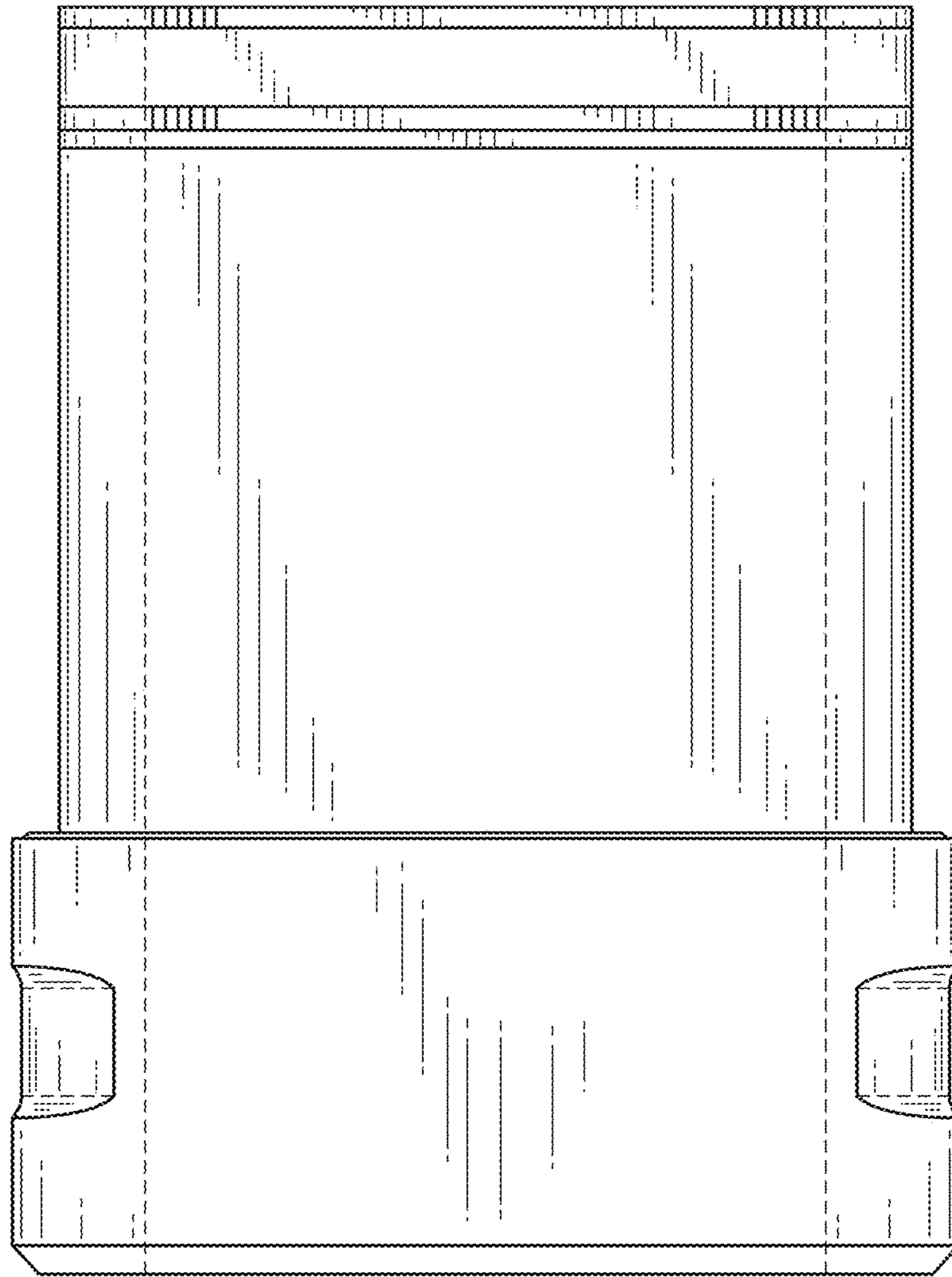


FIG.2

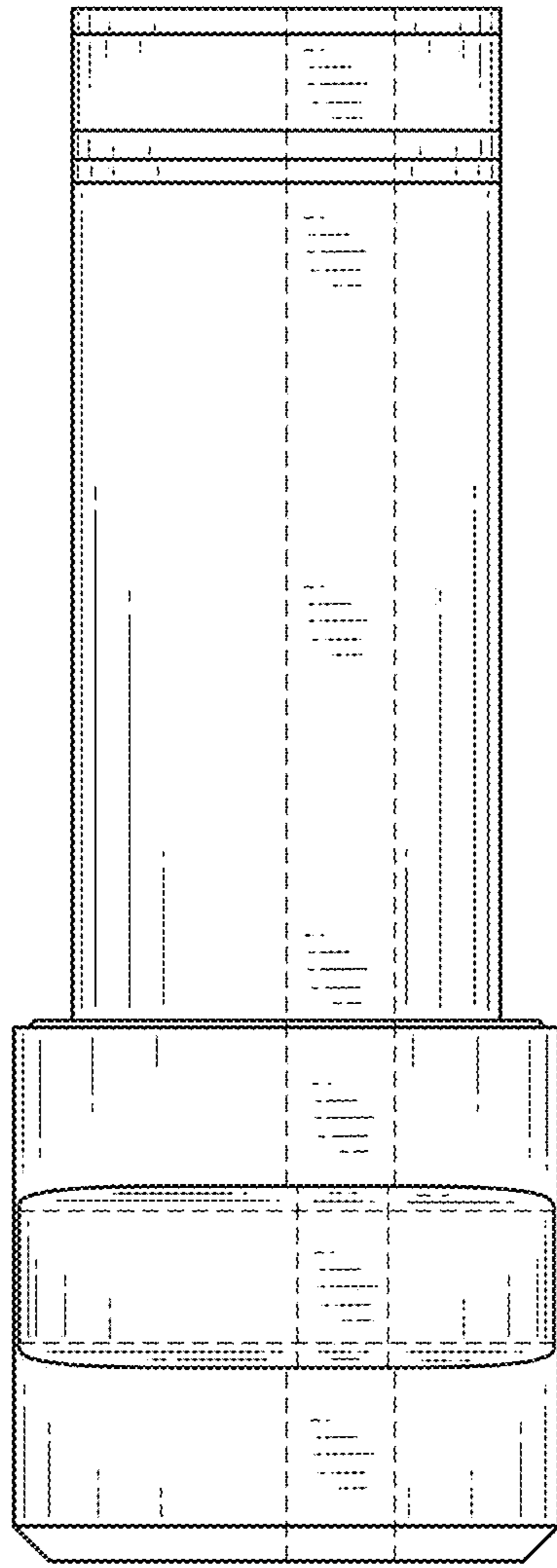


FIG.3

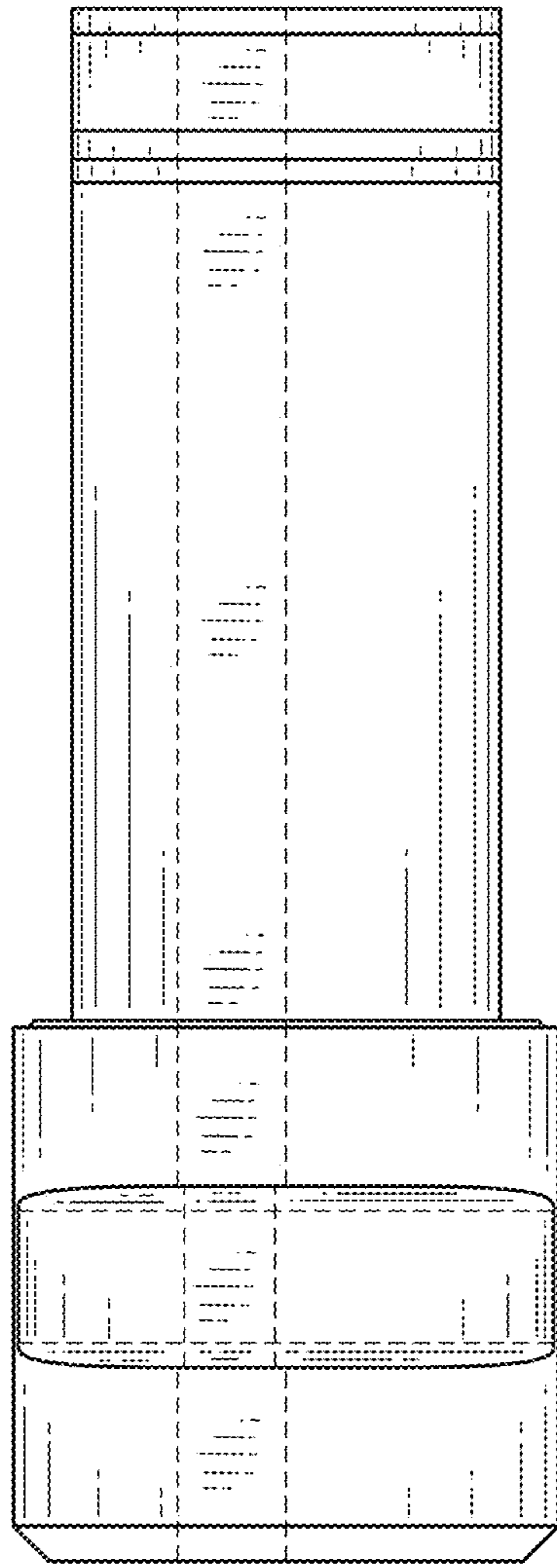


FIG.4

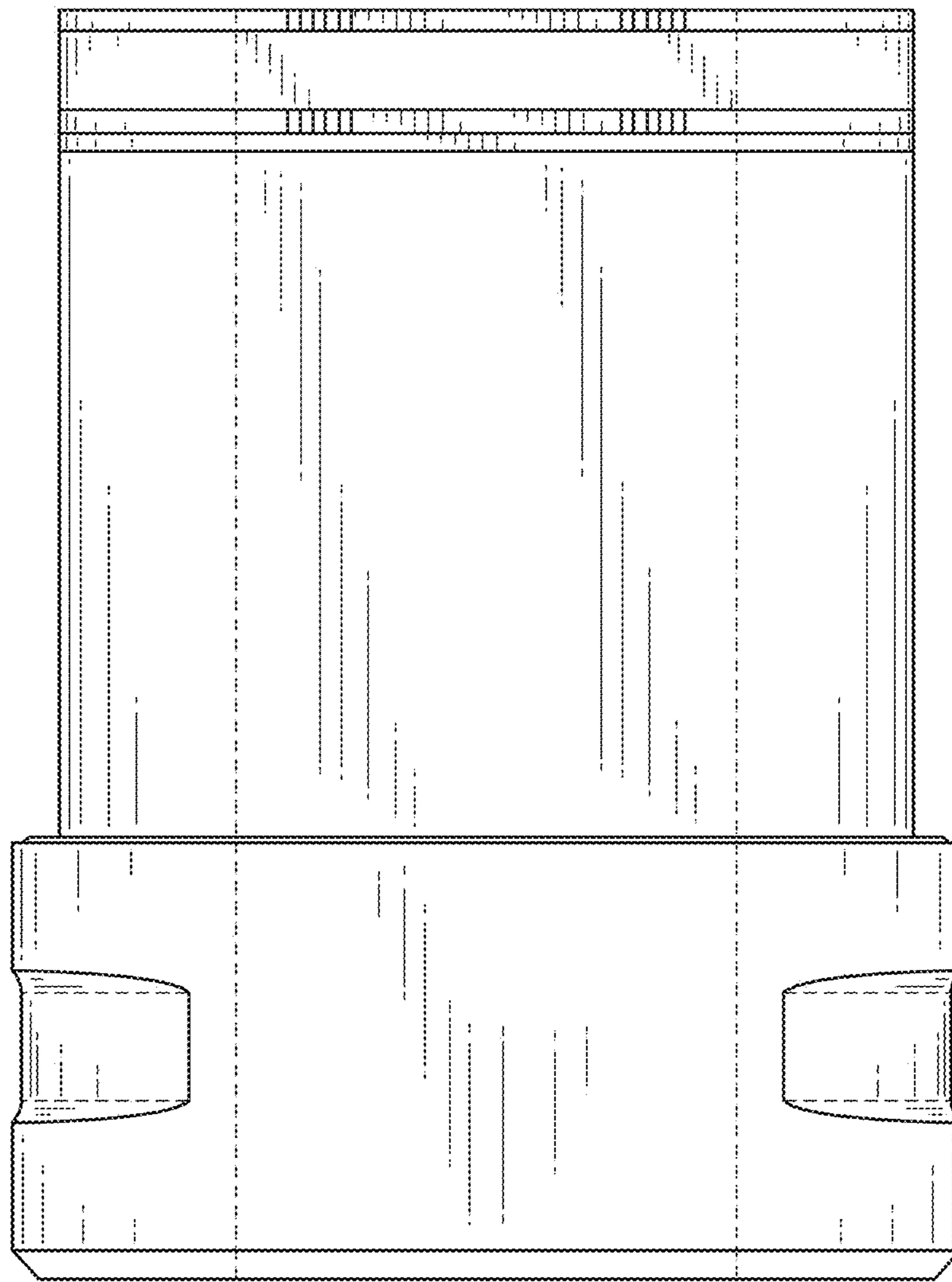


FIG.5

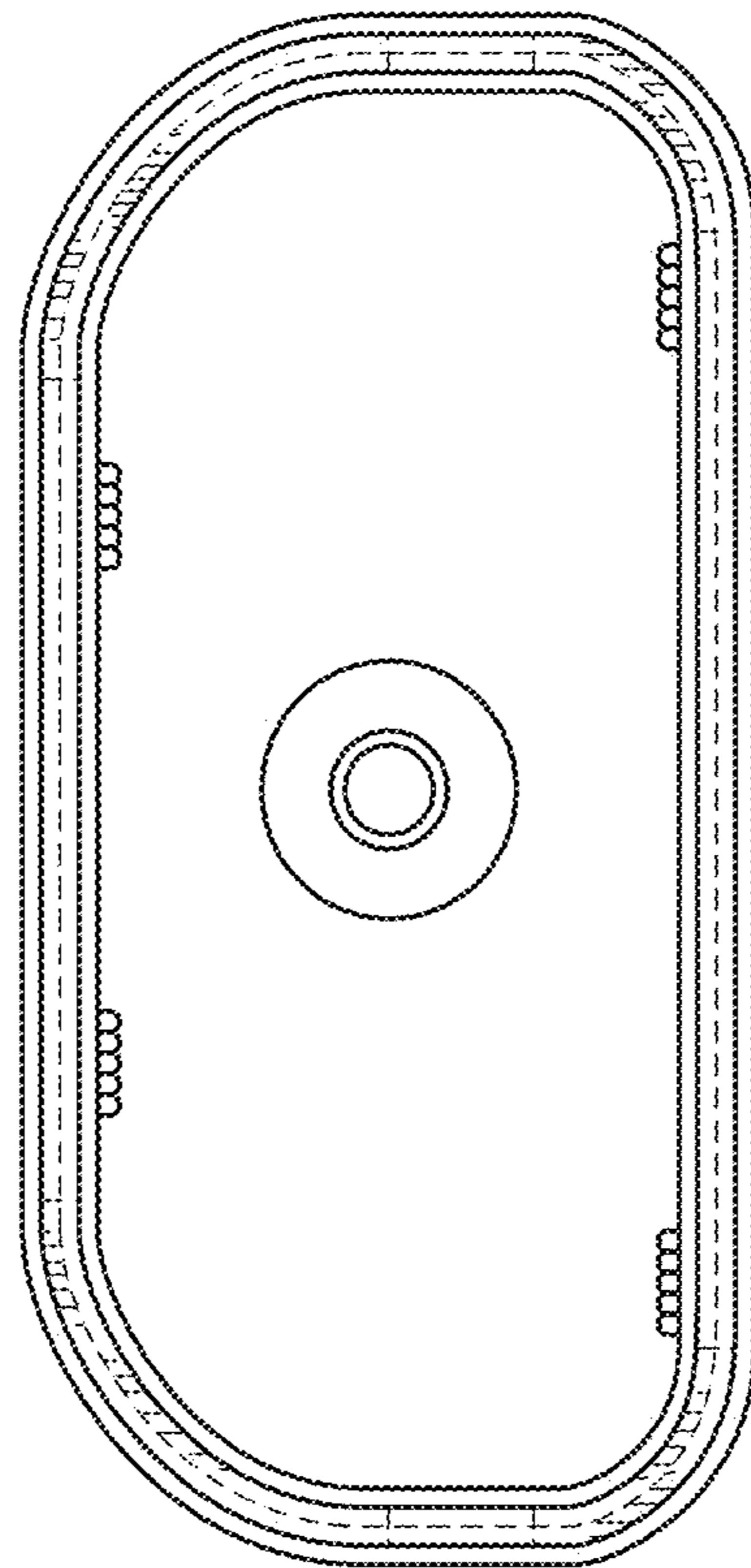


FIG.6

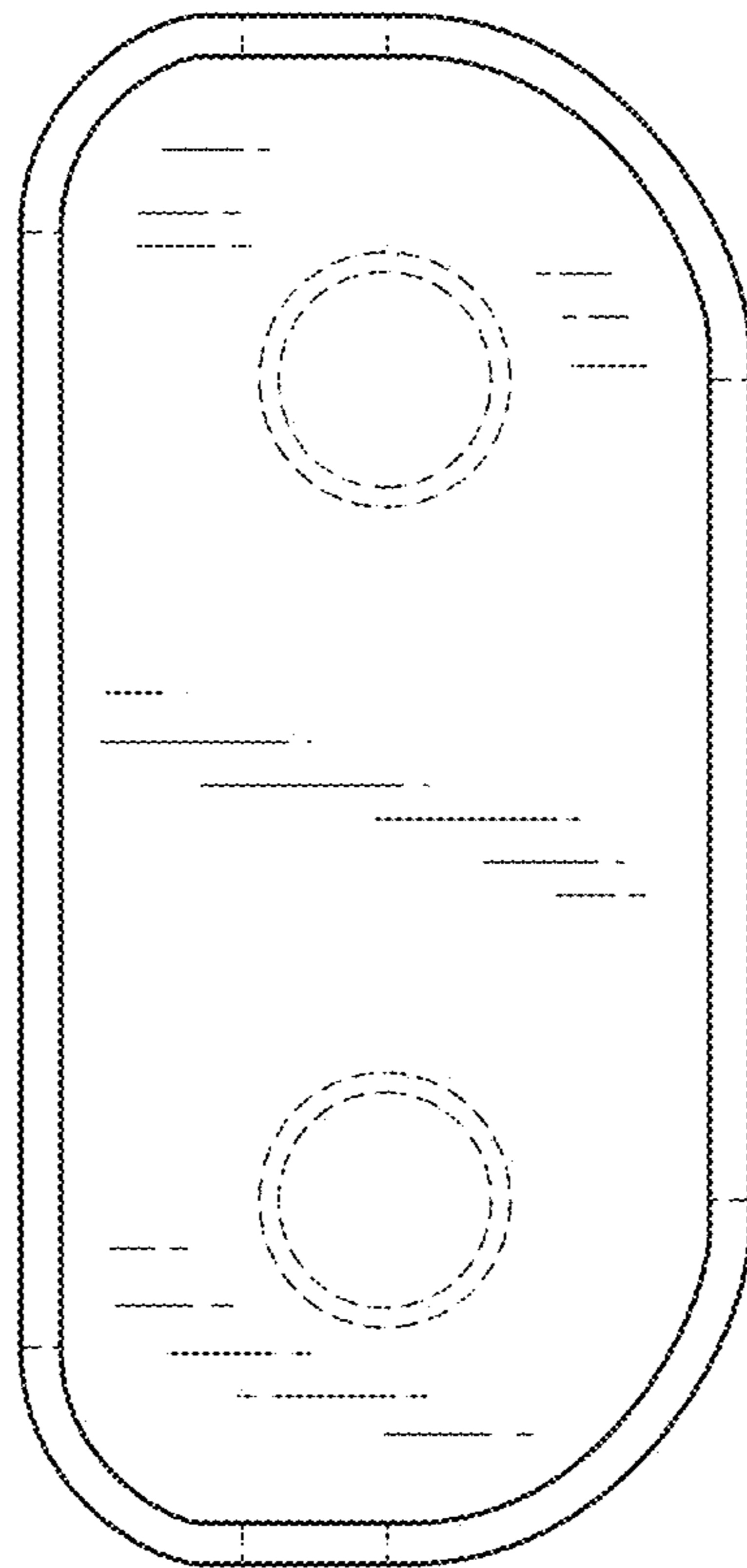


FIG. 7