



US00D955321S

(12) **United States Design Patent** (10) **Patent No.:** **US D955,321 S**  
**Yu** (45) **Date of Patent:** **\*\* Jun. 21, 2022**

(54) **ADJUSTABLE VEHICLE BACKSEAT ORGANIZER WITH POCKETS**

D881,793 S \* 4/2020 Huang ..... D12/416  
D913,909 S \* 3/2021 Guo ..... D12/416  
D916,000 S \* 4/2021 Lin ..... D12/416

(71) Applicant: **Ji Qiang Yu**, Vancouver (CA)

\* cited by examiner

(72) Inventor: **Ji Qiang Yu**, Vancouver (CA)

*Primary Examiner* — Abraham Bahta

(\*\*) Term: **15 Years**

(21) Appl. No.: **29/731,553**

(57) **CLAIM**

(22) Filed: **Apr. 16, 2020**

The ornamental design for an adjustable vehicle backseat organizer with pockets, as shown and described.

(51) **LOC (13) Cl.** ..... **12-16**

(52) **U.S. Cl.**  
USPC ..... **D12/416**

(58) **Field of Classification Search**

USPC ..... D3/274, 273, 276, 283, 284–289, 905,  
D3/203.1, 203.6, 205, 313–315, 215, 243,  
D3/244, 299, 902, 318–319; D12/415,  
D12/416, 400, 191, 345, 96; D7/605,  
D7/607; 296/36, 37.8–37.16; 224/404,  
224/572, 275, 277, 400, 276; 297/232,  
297/248, 188.01, 188.18, 188.2; D19/78,  
D19/86; 206/214, 224, 371  
CPC .... A45C 3/04; A45C 3/00; A45C 5/05; A45C  
11/20; A45C 11/00; B42F 9/00; B42F  
9/002; B42F 9/004; B42F 11/00; B42F  
11/04; A47G 1/06; A47G 1/12

**DESCRIPTION**

FIG. 1 is a front perspective view of the adjustable vehicle backseat organizer with pockets shown in an open position; FIG. 2 is a front perspective view of an adjustable vehicle backseat organizer with pockets shown in folded closed position; FIG. 3 is a front elevation view of FIG. 2; FIG. 4 is a back elevation view of FIG. 2; FIG. 5 is a top plan view of FIG. 2; FIG. 6 is another top plan view of FIG. 2; FIG. 7 is a right elevation view of FIG. 1; and, FIG. 8 is a left elevation view of FIG. 1. The broken lines showing of portions of the adjustable vehicle backseat organizer with pockets is included for the purpose of illustrating environmental structure and no part of the claimed design.

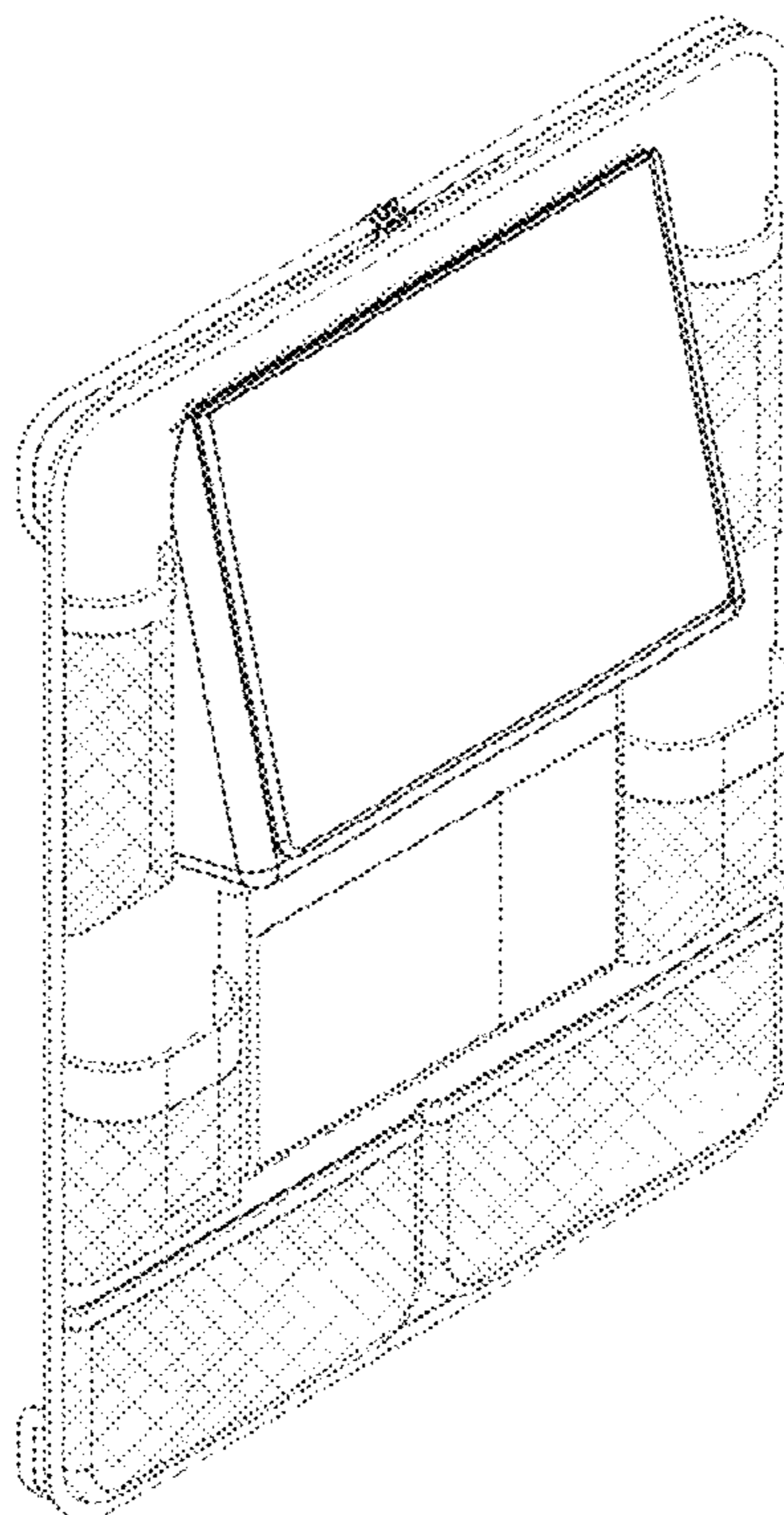
See application file for complete search history.

(56) **References Cited**

**U.S. PATENT DOCUMENTS**

D801,910 S \* 11/2017 Salisbury ..... D12/416  
D879,014 S \* 3/2020 Hartlund ..... D12/416

**1 Claim, 8 Drawing Sheets**



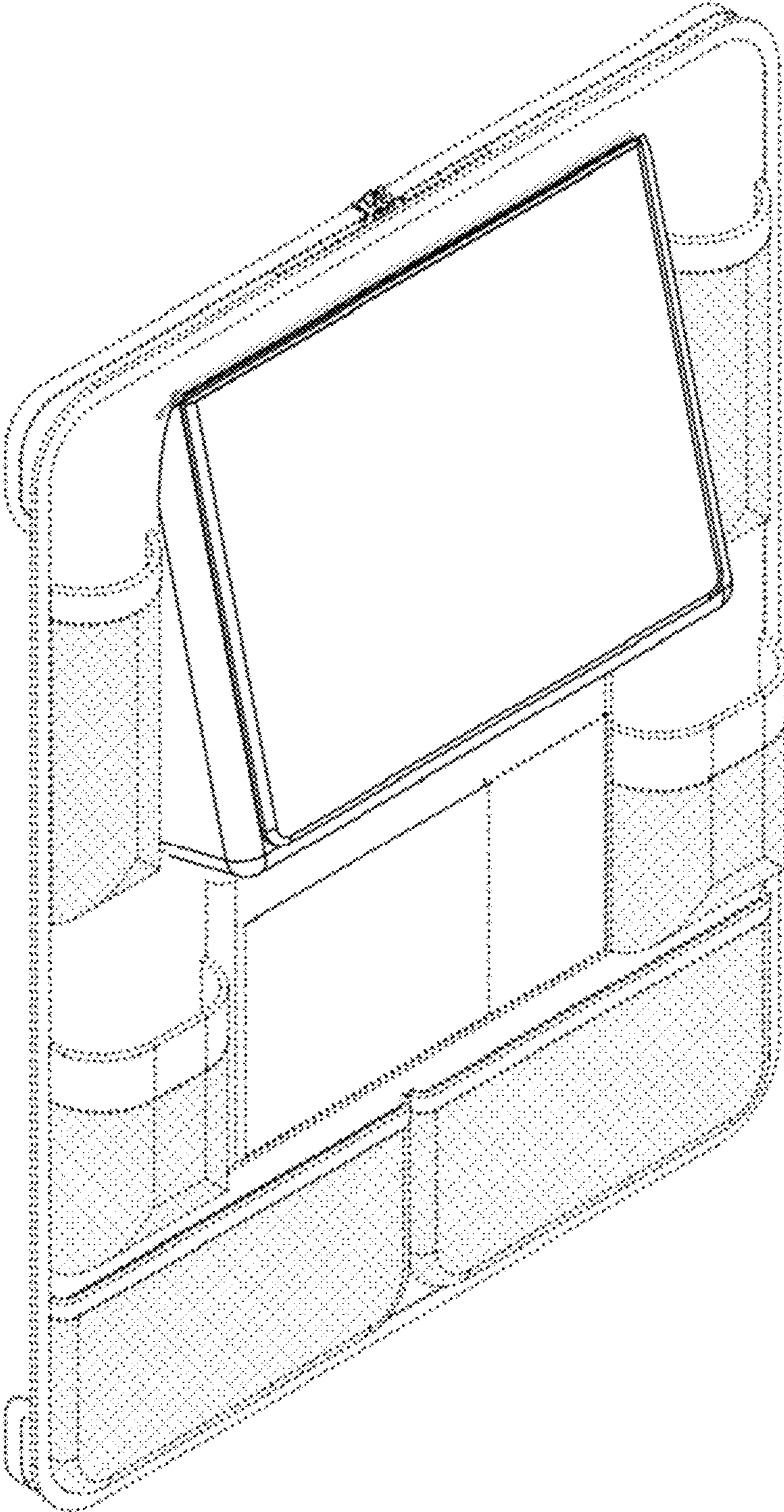


FIG. 1

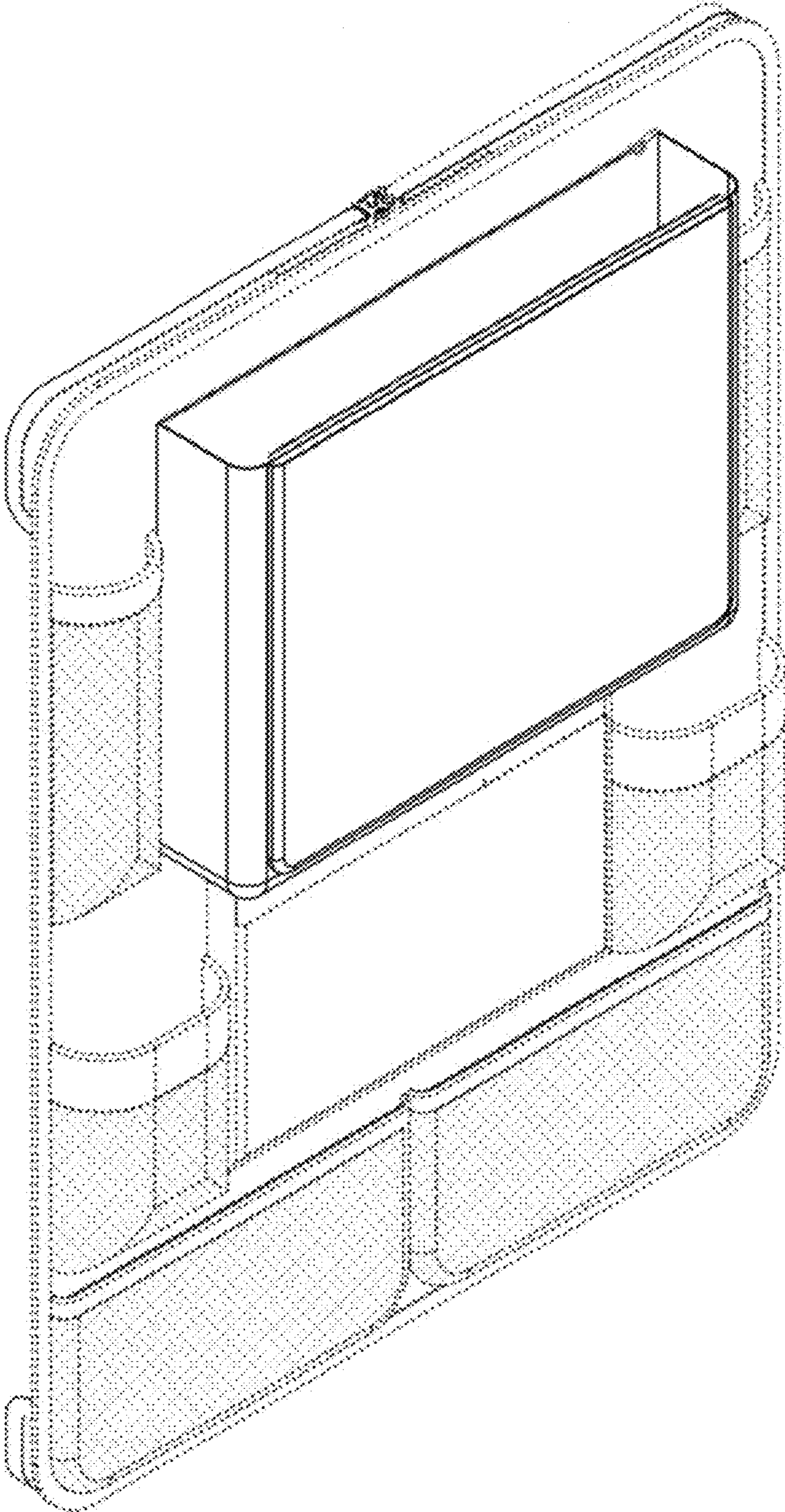


FIG. 2

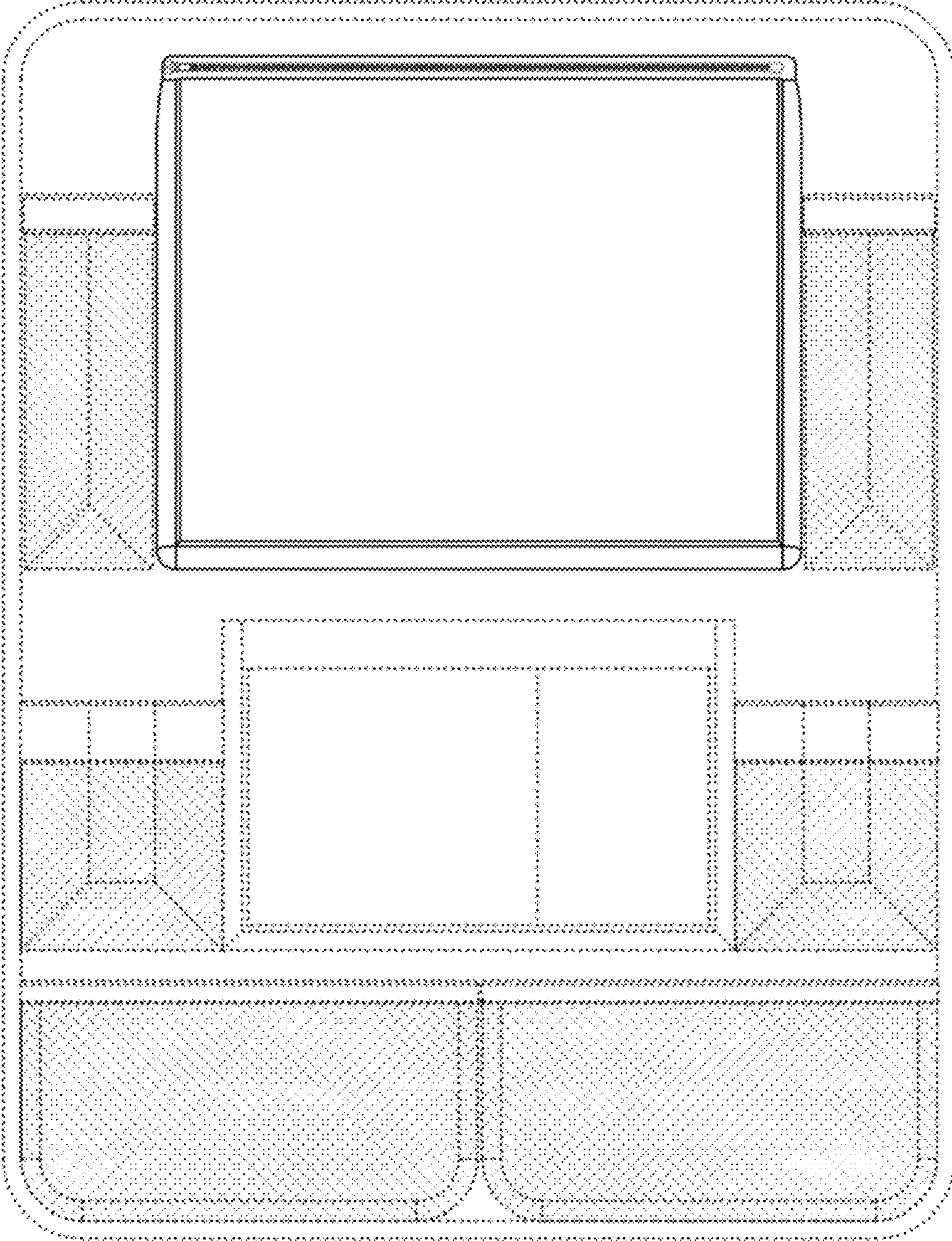


FIG. 3

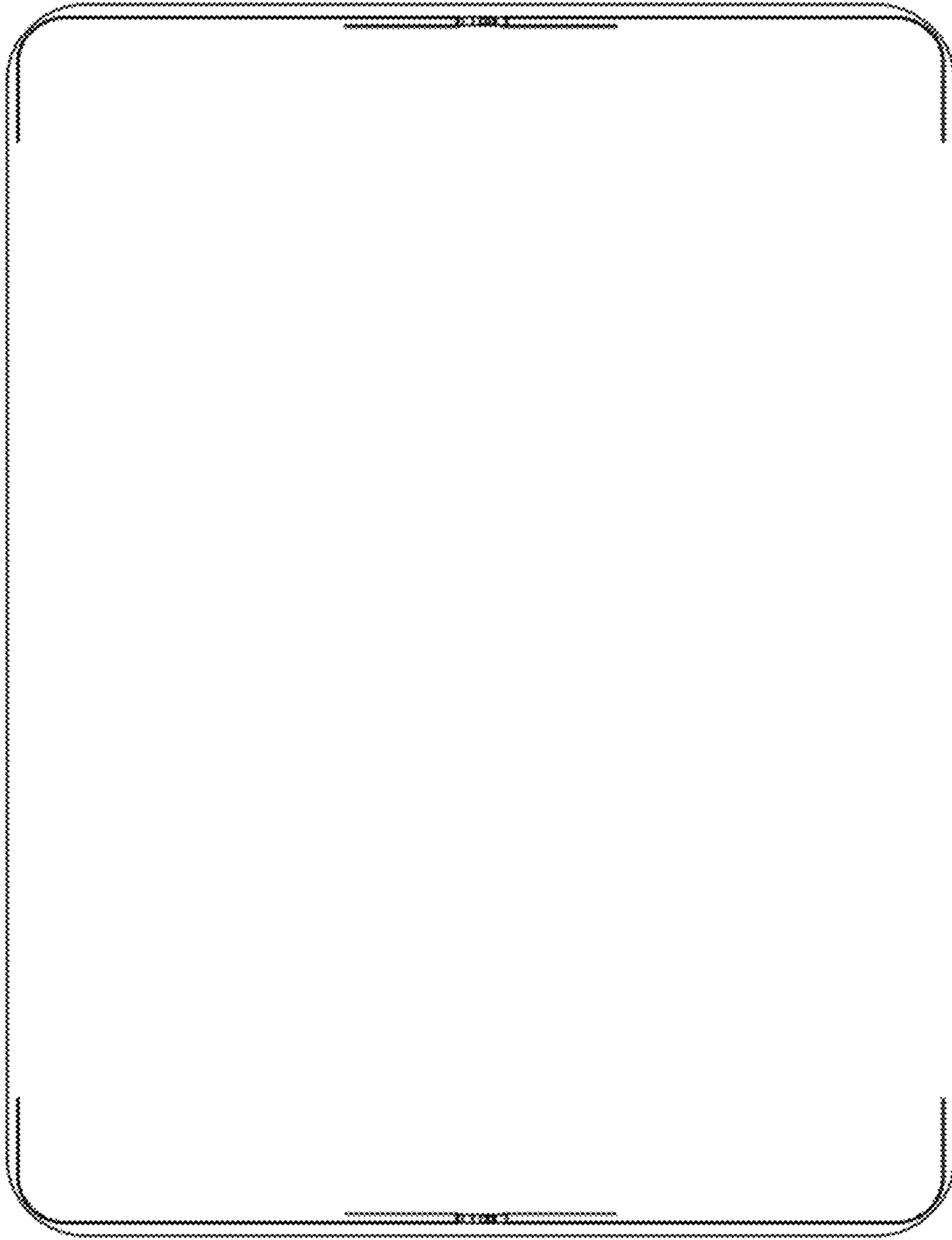


FIG. 4

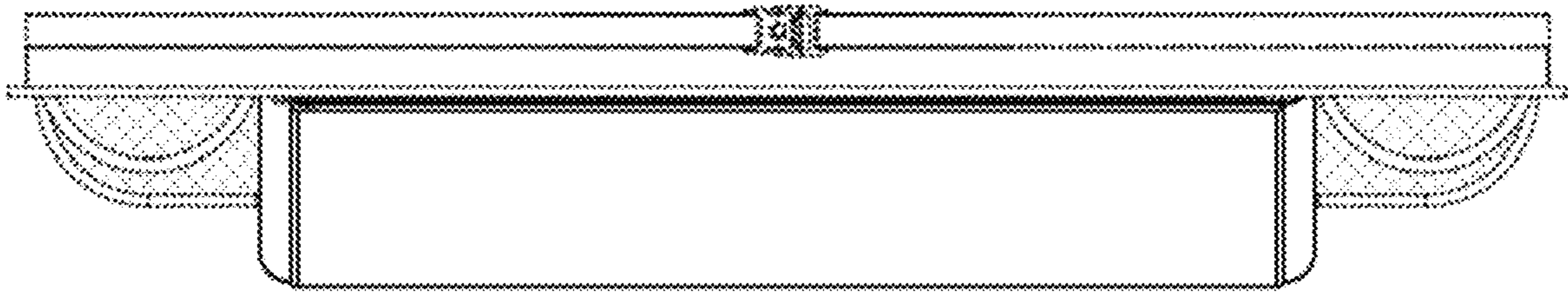


FIG. 5

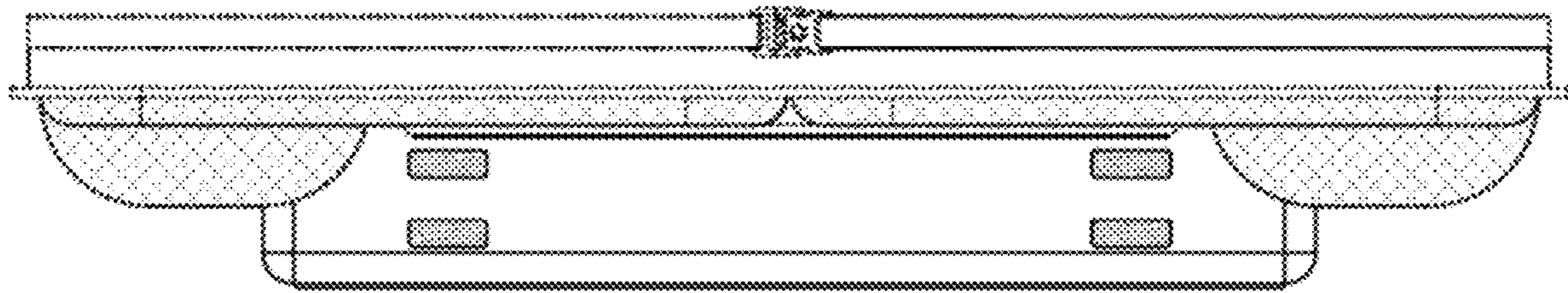


FIG. 6

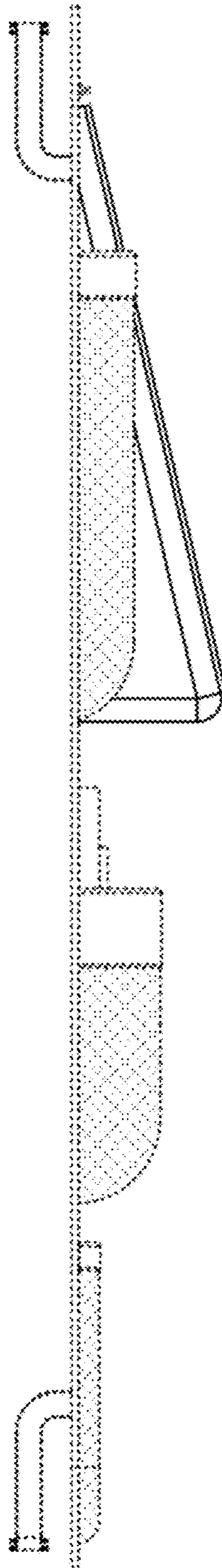


FIG. 7



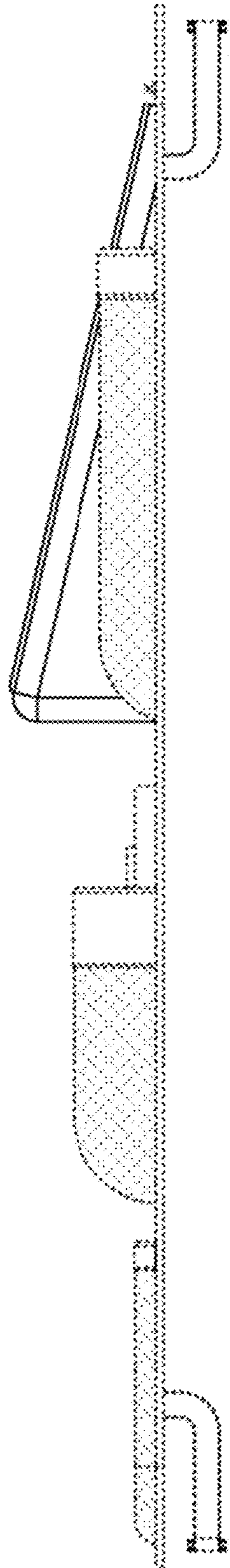


FIG. 8