



US00D955319S

(12) **United States Design Patent** (10) **Patent No.:** **US D955,319 S**  
**Ackeret et al.** (45) **Date of Patent:** **\*\* Jun. 21, 2022**

(54) **VEHICLE MOUNT**

(56) **References Cited**

(71) Applicant: **Kinetix AG**, Chur (CH)

U.S. PATENT DOCUMENTS

(72) Inventors: **Peter Ackeret**, Zurich (CH); **Michael Andreas Keller**, Freudenstadt (DE); **Walter Funk**, Simmersfeld (DE)

D614,613 S 4/2010 Kim et al.  
D654,503 S 2/2012 Sapper  
D655,282 S 3/2012 Richter  
D655,283 S 3/2012 Richter  
D659,571 S 5/2012 Hoggarth  
D678,888 S 3/2013 Hung  
8,561,863 B2 10/2013 Lacolla et al.  
D716,215 S 10/2014 Dunn

(73) Assignee: **KINETIX AG**, Chur (CH)

(Continued)

(\*\*) Term: **15 Years**

(21) Appl. No.: **29/689,209**

FOREIGN PATENT DOCUMENTS

(22) Filed: **Apr. 29, 2019**

CN 304482933 1/2018  
WO WO D092188-001 2/2017  
WO WO D092188-002 2/2017

**Related U.S. Application Data**

(62) Division of application No. 35/502,438, filed on Aug. 12, 2016 (U.S. filing date under 35 U.S.C. 384), and having an international filing date of Aug. 12, 2016, now Pat. No. Des. 854,537.

**OTHER PUBLICATIONS**

U.S. Appl. No. 29/689,211, filed Apr. 29, 2019.  
U.S. Appl. No. 29/689,219, filed Apr. 29, 2019.

(30) **Foreign Application Priority Data**

Feb. 16, 2016 (DE) ..... 40 2016 100 156.7

(51) **LOC (13) Cl.** ..... **12-16**

(52) **U.S. Cl.**  
USPC ..... **D12/415**; D14/253

(58) **Field of Classification Search**  
USPC .... D14/251–253, 224, 224.1, 432–434, 447, D14/451, 452; D12/415, 426.1, 223, 406, D12/407; D16/242, 244, 245; D3/218; D13/108  
CPC ..... B60R 11/00; B60R 11/02; B60R 11/0241; B60R 11/0252; B60R 2011/0003; B60R 2011/0005; B60R 2011/0008; B60R 7/04; H04M 1/04; F16M 11/00; F16M 11/04; F16M 11/041; F16M 11/06

See application file for complete search history.

*Primary Examiner* — Rebekah A Caruso

(74) *Attorney, Agent, or Firm* — Leydig, Voit & Mayer, Ltd.

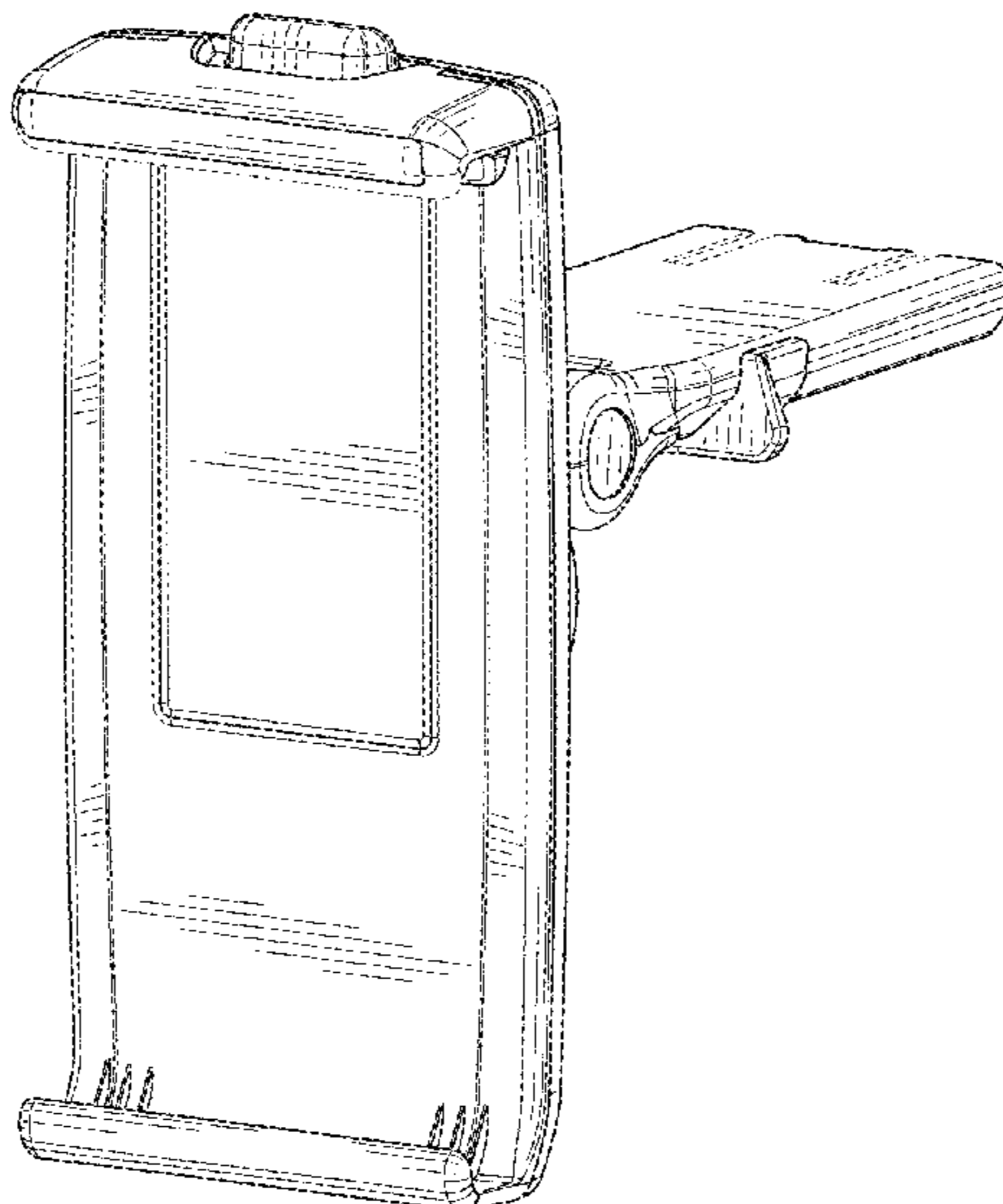
(57) **CLAIM**

The ornamental design for a vehicle mount, as shown and described.

**DESCRIPTION**

FIG. 1 is a front-top-right perspective view of a vehicle mount showing our new design; FIG. 2 is a left-side view thereof; FIG. 3 is a right-side view thereof; FIG. 4 is a front view thereof; FIG. 5 is a back view thereof; FIG. 6 is a top view thereof; and, FIG. 7 is a bottom view thereof. The broken lines shown in the drawings depict portions of the vehicle mount that form no part of the claimed design.

**1 Claim, 7 Drawing Sheets**



(56)

References Cited

U.S. PATENT DOCUMENTS

|              |         |                   |                   |         |   |
|--------------|---------|-------------------|-------------------|---------|---|
| D718,297 S   | 11/2014 | Aspinall et al.   | D807,373 S        | 1/2018  | Thetard et al.                          |
| D718,298 S   | 11/2014 | Aspinall et al.   | D815,087 S        | 4/2018  | Gu                                      |
| D720,000 S   | 12/2014 | Lyons             | D817,317 S        | 5/2018  | Lee                                     |
| D726,175 S   | 4/2015  | Tsai et al.       | D828,865 S        | 9/2018  | Zeng                                    |
| D732,013 S   | 6/2015  | Aspinall et al.   | D832,247 S *      | 10/2018 | Sukphist ..... D14/253                  |
| D732,519 S   | 6/2015  | Aspinall et al.   | D832,248 S        | 10/2018 | Sukphist                                |
| D733,115 S   | 6/2015  | Aspinall et al.   | D833,369 S        | 11/2018 | Lan                                     |
| D738,873 S   | 9/2015  | Kim et al.        | D838,267 S        | 1/2019  | Zhang                                   |
| D751,702 S   | 3/2016  | Eaton             | D840,994 S *      | 2/2019  | Balmer ..... D14/253                    |
| 9,278,648 B2 | 3/2016  | Ackeret et al.    | D840,995 S *      | 2/2019  | Balmer ..... D14/253                    |
| D753,643 S * | 4/2016  | Kim ..... D14/253 | D854,537 S *      | 7/2019  | Ackeret ..... D14/253                   |
| D755,797 S   | 5/2016  | Liu               | D867,355 S *      | 11/2019 | Chun ..... D14/253                      |
| D759,002 S   | 6/2016  | Won et al.        | D868,054 S *      | 11/2019 | Kim ..... D14/253                       |
| D762,652 S   | 8/2016  | Dörre et al.      | D883,274 S *      | 3/2020  | Li ..... D16/243                        |
| D765,651 S   | 9/2016  | Liu et al.        | 10,875,467 B2 *   | 5/2020  | Liu ..... D14/253                       |
| D767,556 S * | 9/2016  | Lee ..... D14/253 | D934,234 S *      | 10/2021 | Deng ..... D14/253                      |
| D768,125 S   | 10/2016 | Kim               | 2010/0320341 A1   | 12/2010 | Baumann et al.                          |
| D769,860 S   | 10/2016 | Xiao              | 2011/0278885 A1   | 11/2011 | Procter et al.                          |
| D775,116 S   | 12/2016 | Abrahams          | 2013/0037590 A1   | 2/2013  | Yoon                                    |
| 9,527,456 B2 | 12/2016 | Ackeret et al.    | 2013/0193174 A1 * | 8/2013  | Ackeret ..... B60R 7/04<br>224/275      |
| D780,168 S   | 2/2017  | Du                | 2014/0145051 A1   | 5/2014  | Gwag                                    |
| D780,743 S   | 3/2017  | Chun              | 2014/0274230 A1 * | 9/2014  | Brzana ..... H04M 1/0202<br>455/575.1   |
| D783,012 S   | 4/2017  | Lee               | 2017/0237843 A1 * | 8/2017  | Ackeret ..... B60R 11/0235<br>455/575.9 |
| D783,014 S   | 4/2017  | Chun              | 2017/0264329 A1 * | 9/2017  | Balmer ..... F16B 2/12                  |
| D784,923 S   | 4/2017  | Song              | 2019/0037722 A1 * | 1/2019  | Maisenbacher ..... B60K 35/00           |
| D796,421 S   | 9/2017  | Huang             | 2021/0376633 A1 * | 12/2021 | Grout ..... H02J 50/90                  |
| D799,466 S   | 10/2017 | Sukphist et al.   |                   |         |   |
| D799,467 S   | 10/2017 | Lou               |                   |         |   |

\* cited by examiner

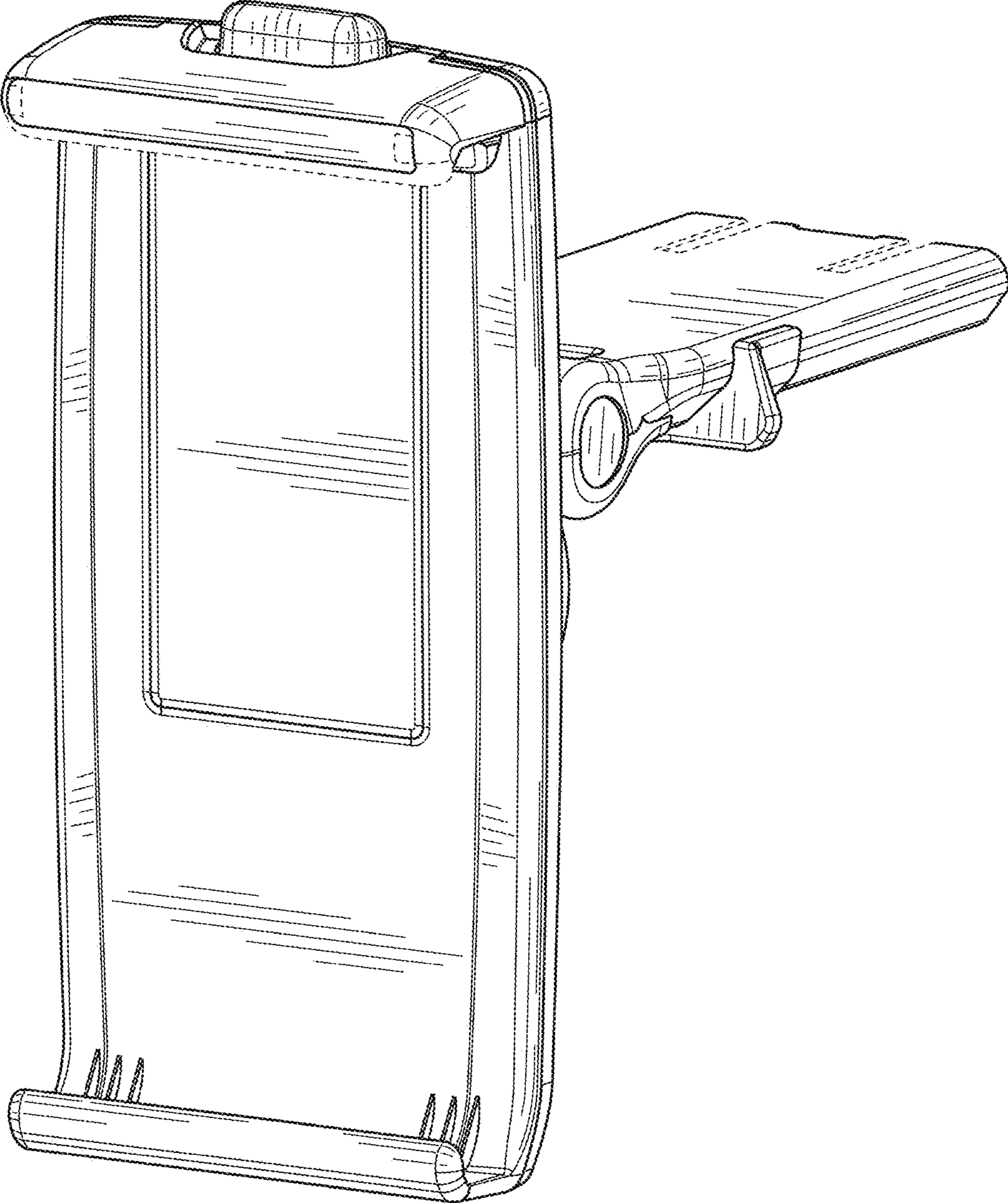


FIG. 1

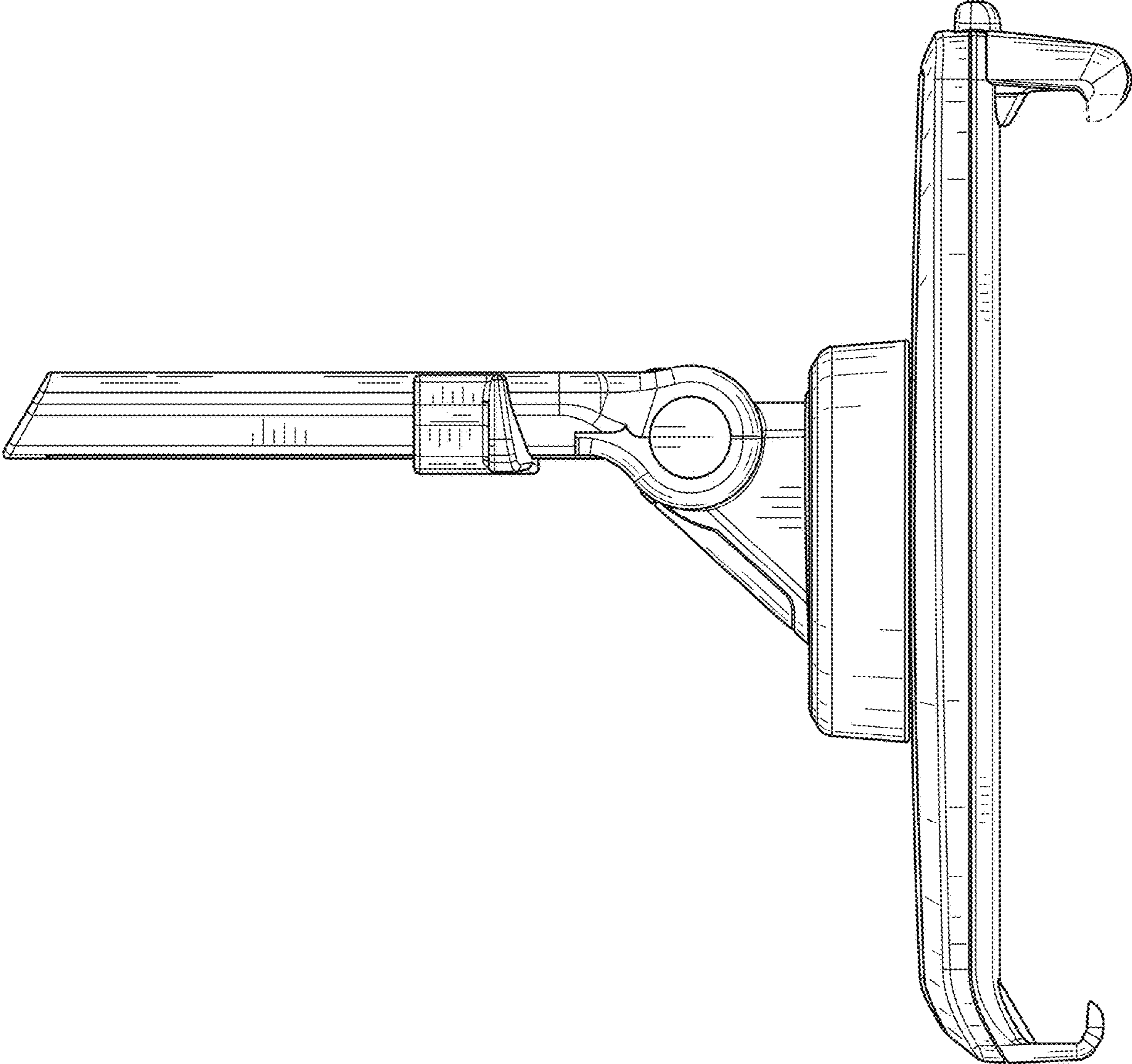


FIG. 2

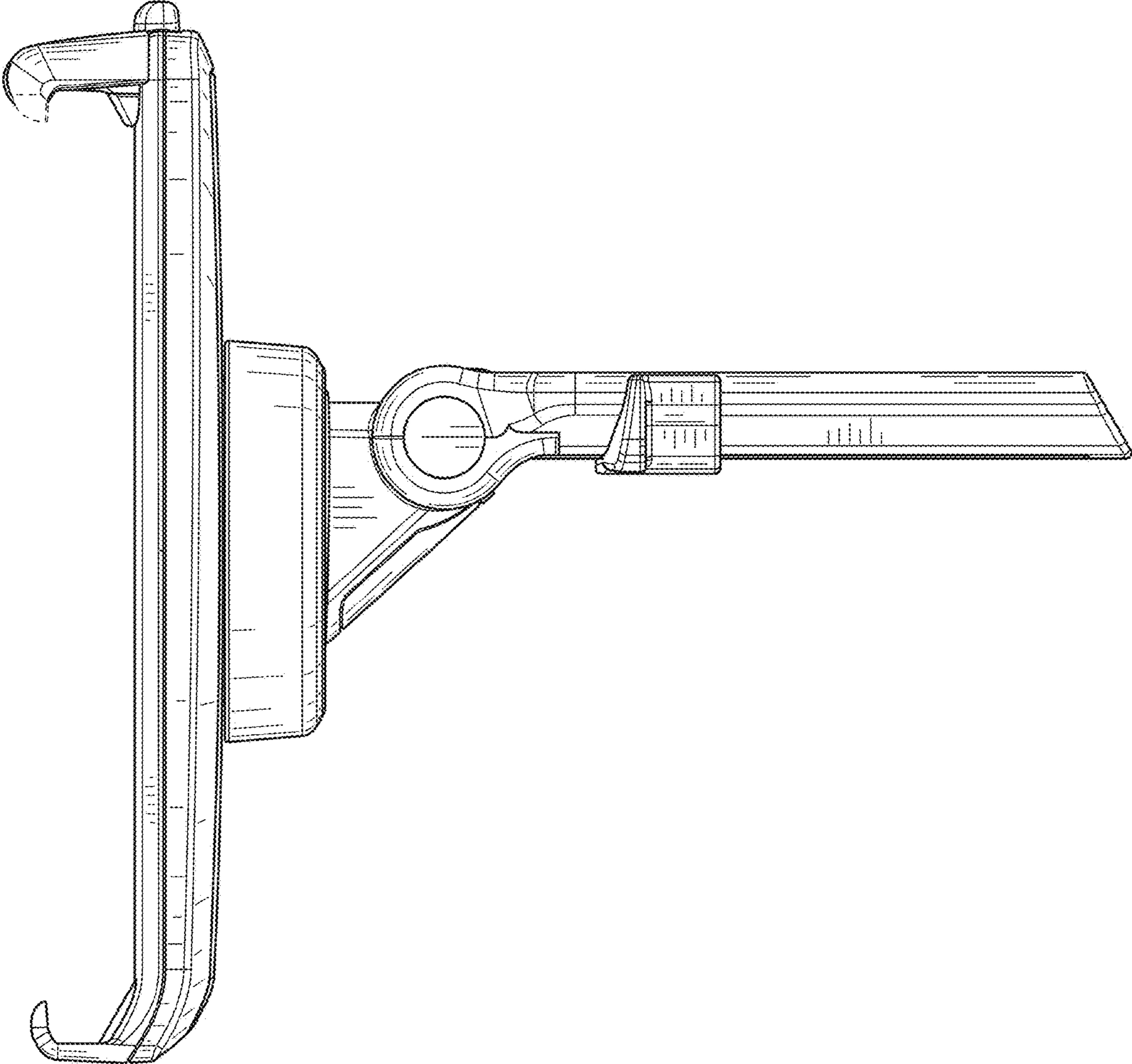


FIG. 3

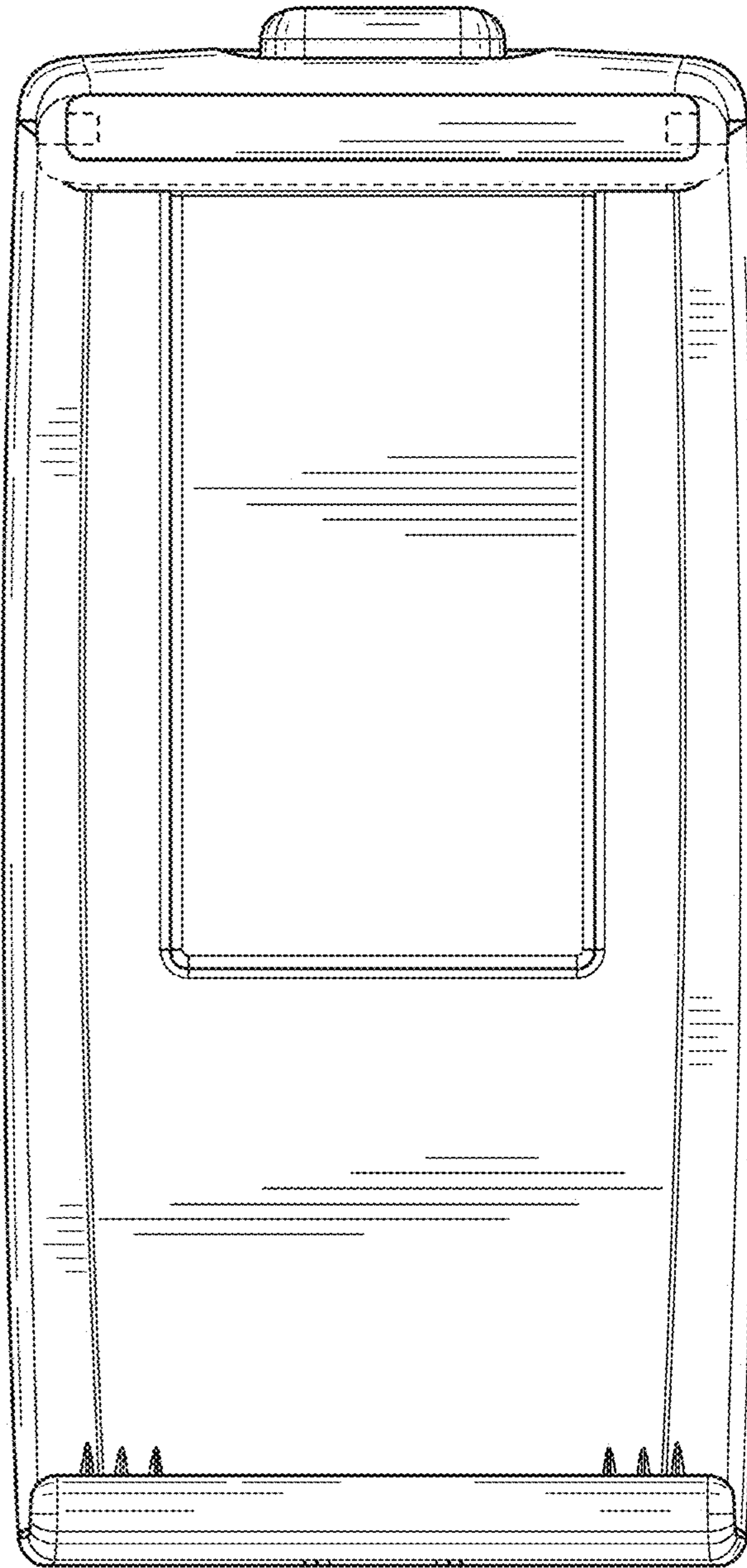


FIG. 4

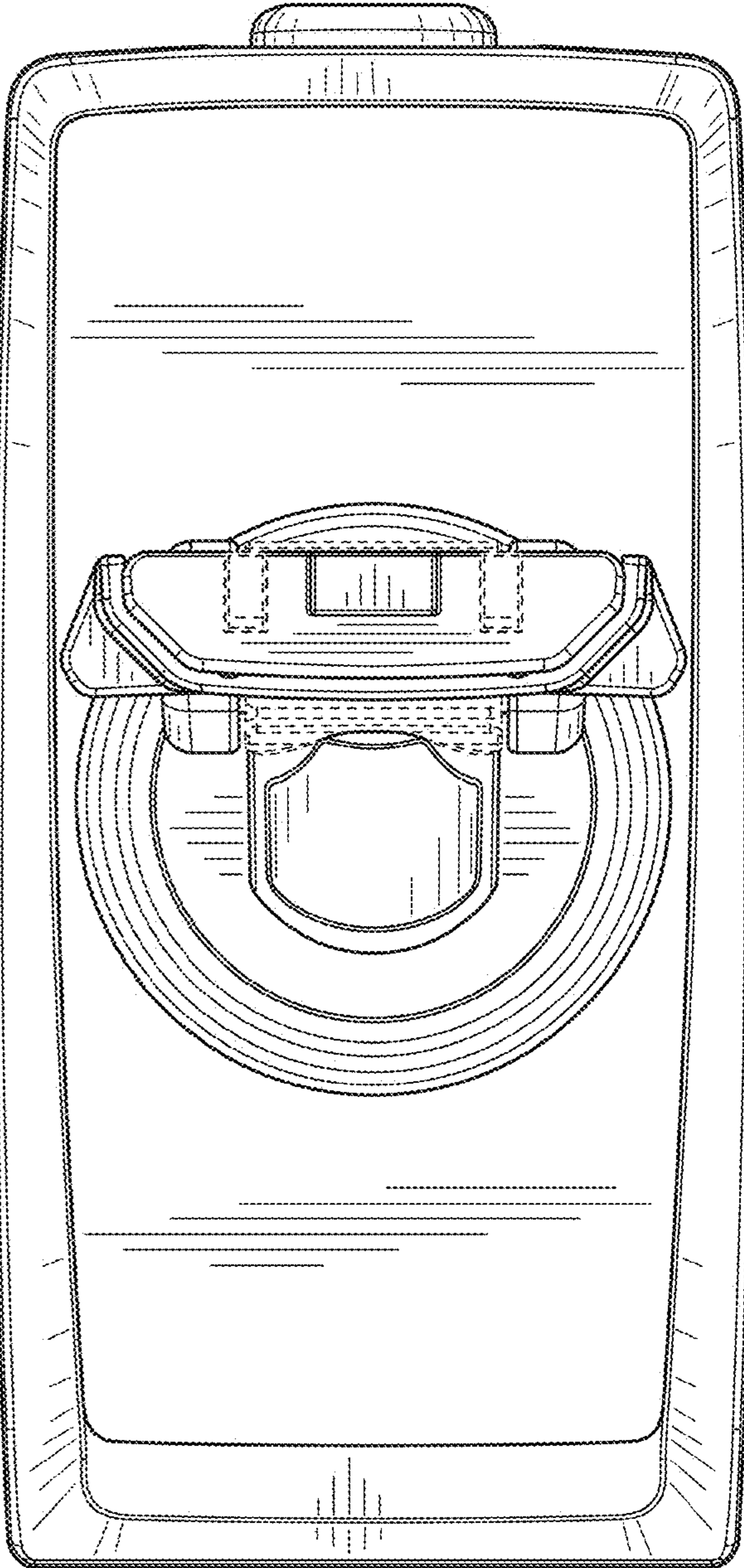


FIG. 5

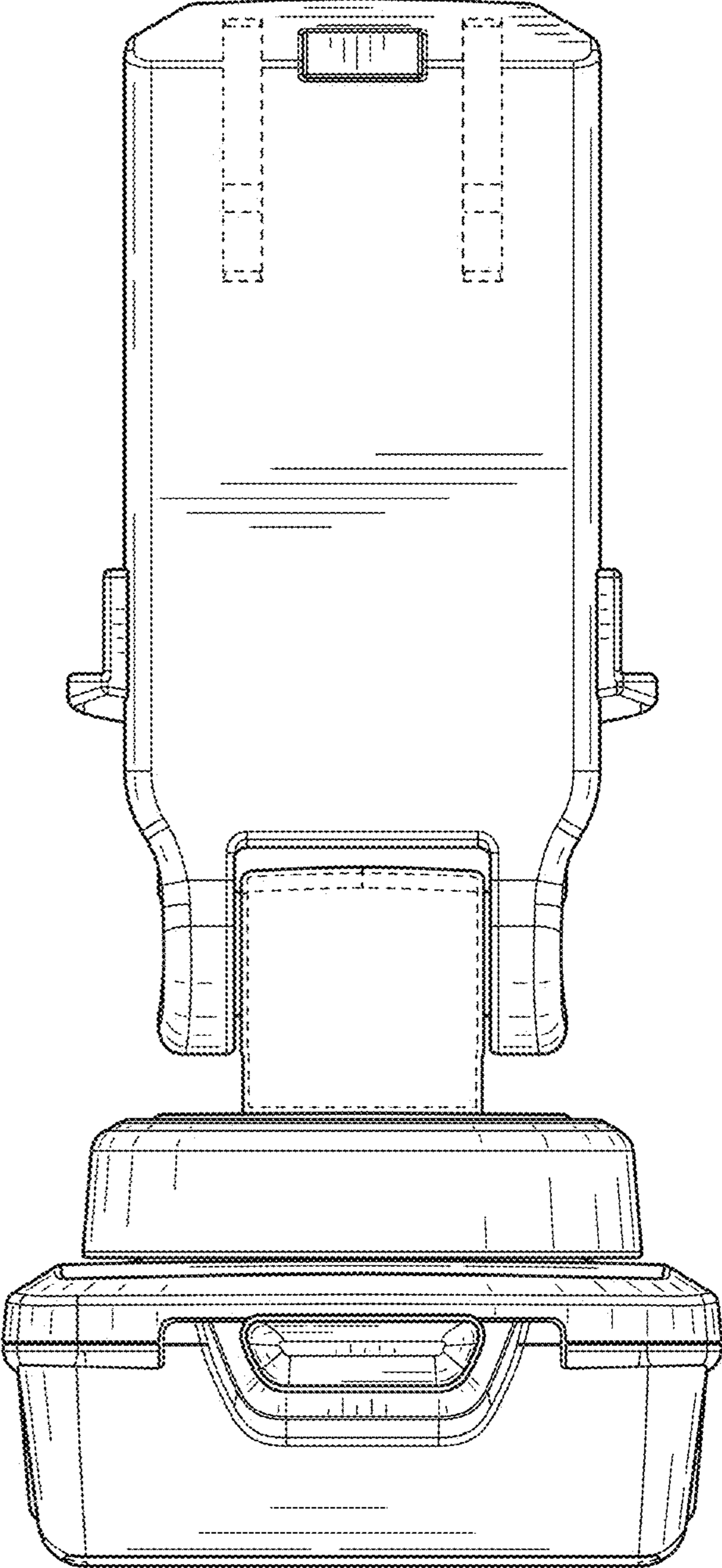


FIG. 6



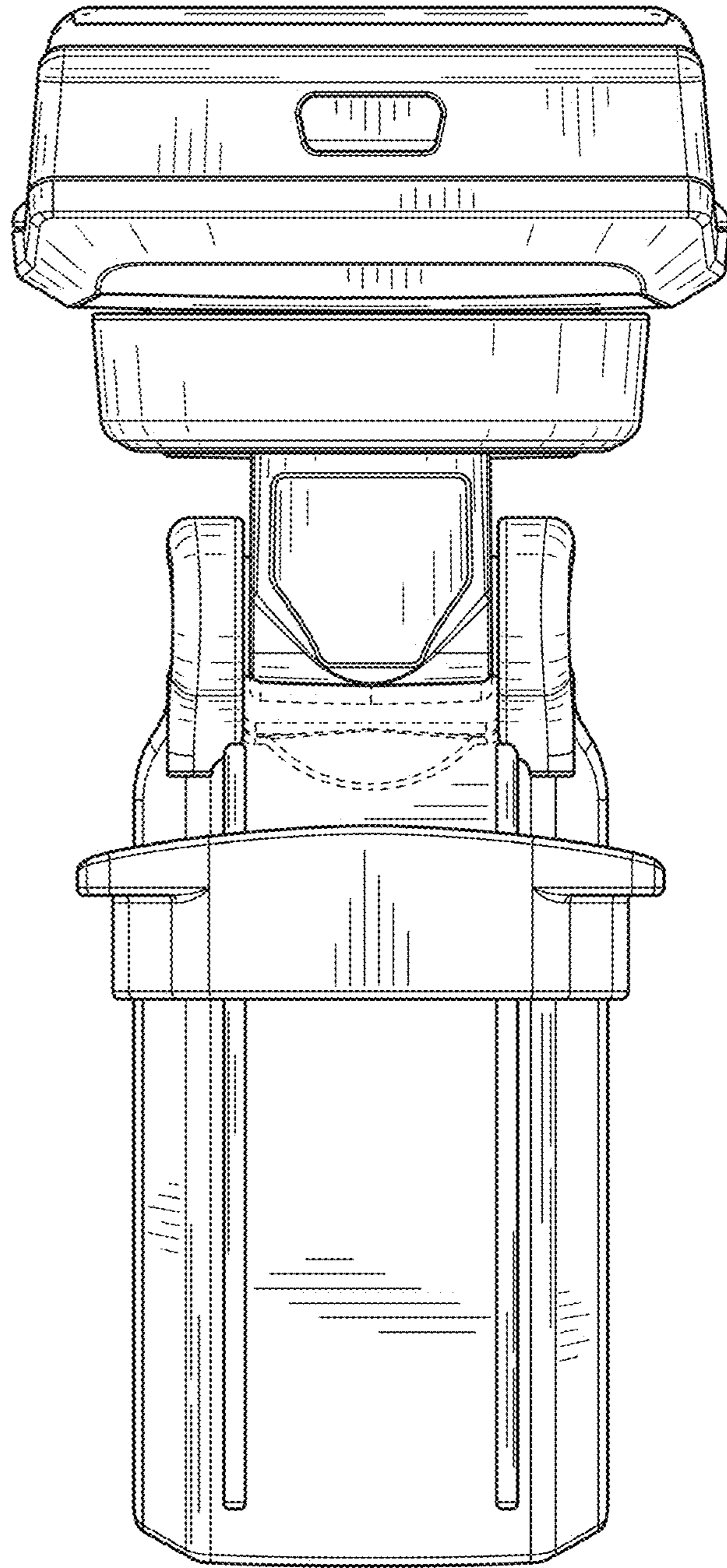


FIG. 7