



US00D955318S

(12) **United States Design Patent**
Gu

(10) **Patent No.:** **US D955,318 S**
(45) **Date of Patent:** **** Jun. 21, 2022**

- (54) **BICYCLE COVER**
- (71) Applicant: **Haidong Gu**, Pomona, CA (US)
- (72) Inventor: **Haidong Gu**, Pomona, CA (US)
- (73) Assignee: **CYCLINGDEAL USA, INC.**, Pomona, CA (US)
- (**) Term: **15 Years**
- (21) Appl. No.: **29/761,339**
- (22) Filed: **Dec. 8, 2020**
- (51) **LOC (13) Cl.** **12-16**
- (52) **U.S. Cl.**
USPC **D12/402**
- (58) **Field of Classification Search**
USPC D12/401-405, 187; D6/610, 611,
D6/601-603, 615, 617, 621; D7/332,
D7/334-337
CPC B60R 9/055; B62J 19/00; B65D 31/16;
B65D 85/68
See application file for complete search history.

5,445,200	A *	8/1995	Celestino	B62J 19/00 206/335
D369,339	S *	4/1996	Alfonso	D12/402
D371,106	S *	6/1996	Taylor	D12/402
D373,753	S *	9/1996	Ferguson	D12/402
D393,445	S *	4/1998	Nicholson	D12/402
6,405,771	B1 *	6/2002	Mote	B62J 19/00 296/136.01
D468,257	S *	1/2003	Roby	D12/402
D588,978	S *	3/2009	Powers	D12/402
D626,060	S *	10/2010	Rians	D12/402
D688,619	S *	8/2013	Camara	D12/402
D733,034	S *	6/2015	Mickevics	D12/402
D879,011	S *	3/2020	Bajārs	D12/402
D940,026	S *	1/2022	Tang	D12/187
2005/0247387	A1 *	11/2005	Hooker	B65D 85/68 150/167

* cited by examiner

Primary Examiner — Susan E Krakower
Assistant Examiner — Jerry Shiuan-Hua Hsu

(57) **CLAIM**

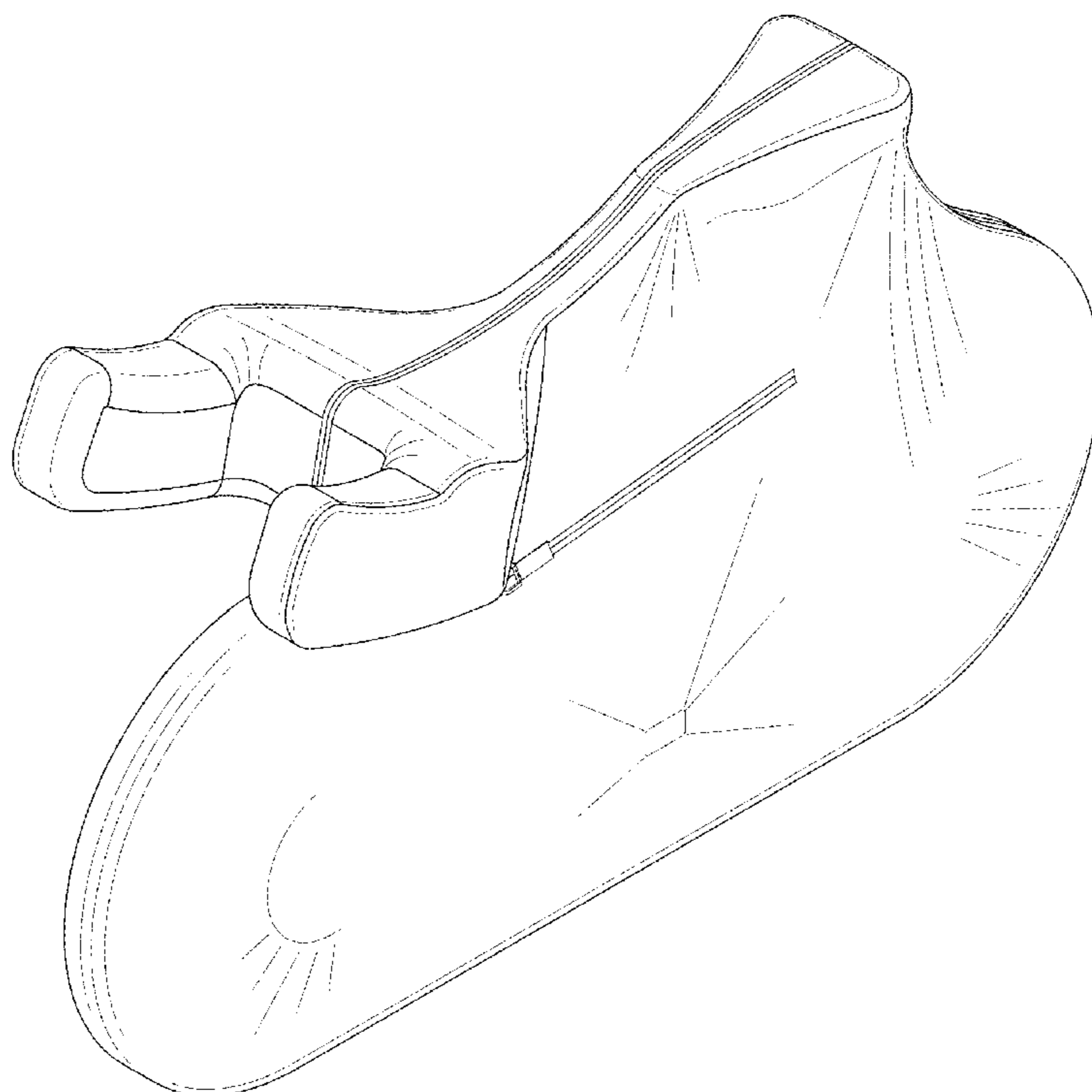
The ornamental design for a bicycle cover, as shown and described.

DESCRIPTION

FIG. 1 is a front-right-top perspective view of the bicycle cover showing my new design; FIG. 2 is a front elevational view thereof; FIG. 3 is a rear front elevational view thereof; FIG. 4 is a left side elevational view thereof; FIG. 5 is a right side elevational view thereof; FIG. 6 is a top plan view thereof; and, FIG. 7 is a bottom plan view thereof.

1 Claim, 7 Drawing Sheets

- (56) **References Cited**
U.S. PATENT DOCUMENTS
4,944,340 A * 7/1990 Tortorich B60R 9/055
206/335
D322,054 S * 12/1991 Reiter D12/402
5,193,724 A * 3/1993 Robbins B62J 19/00
224/463
5,372,169 A * 12/1994 Norton B62J 19/00
296/78.1



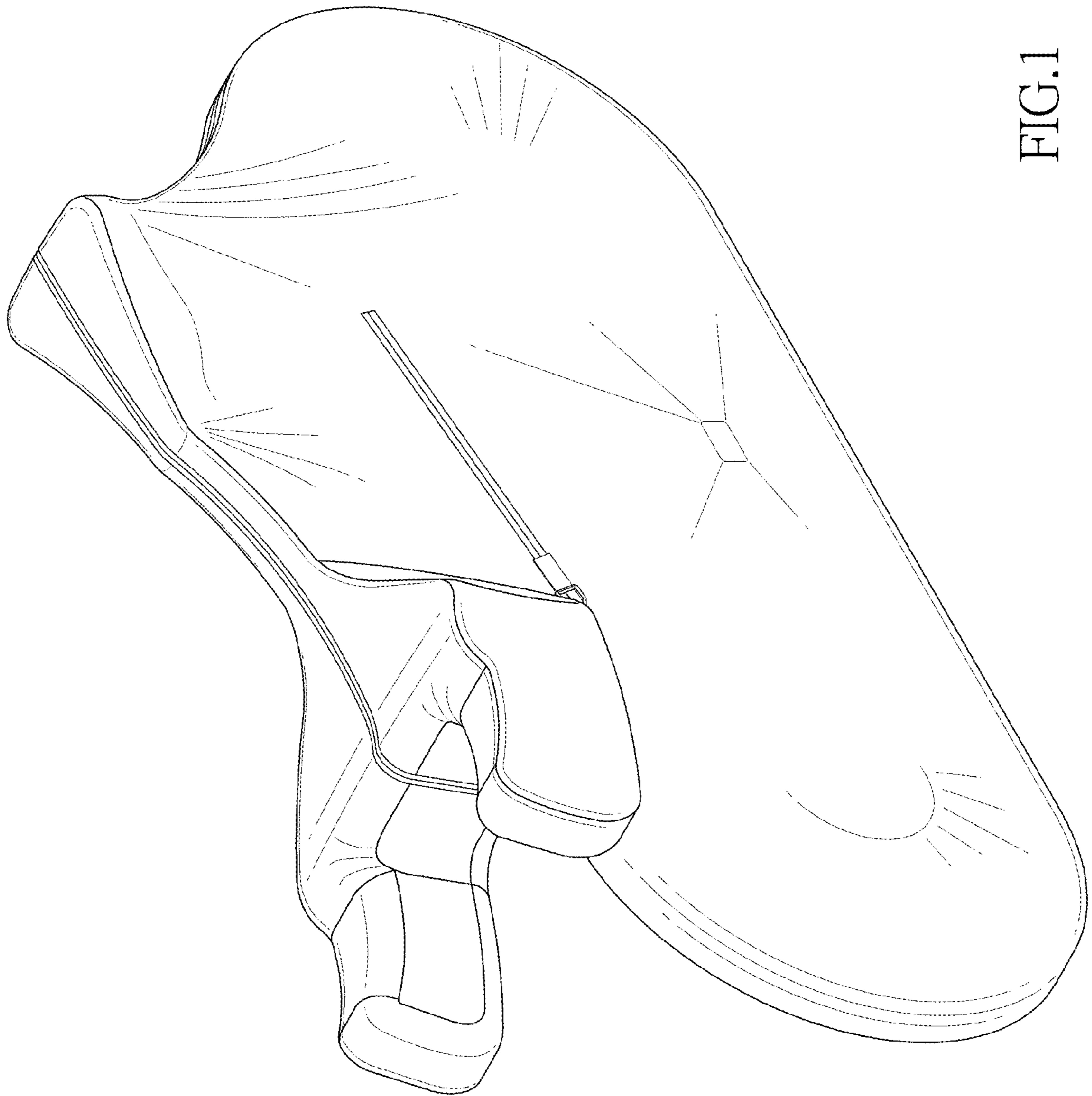


FIG. 1

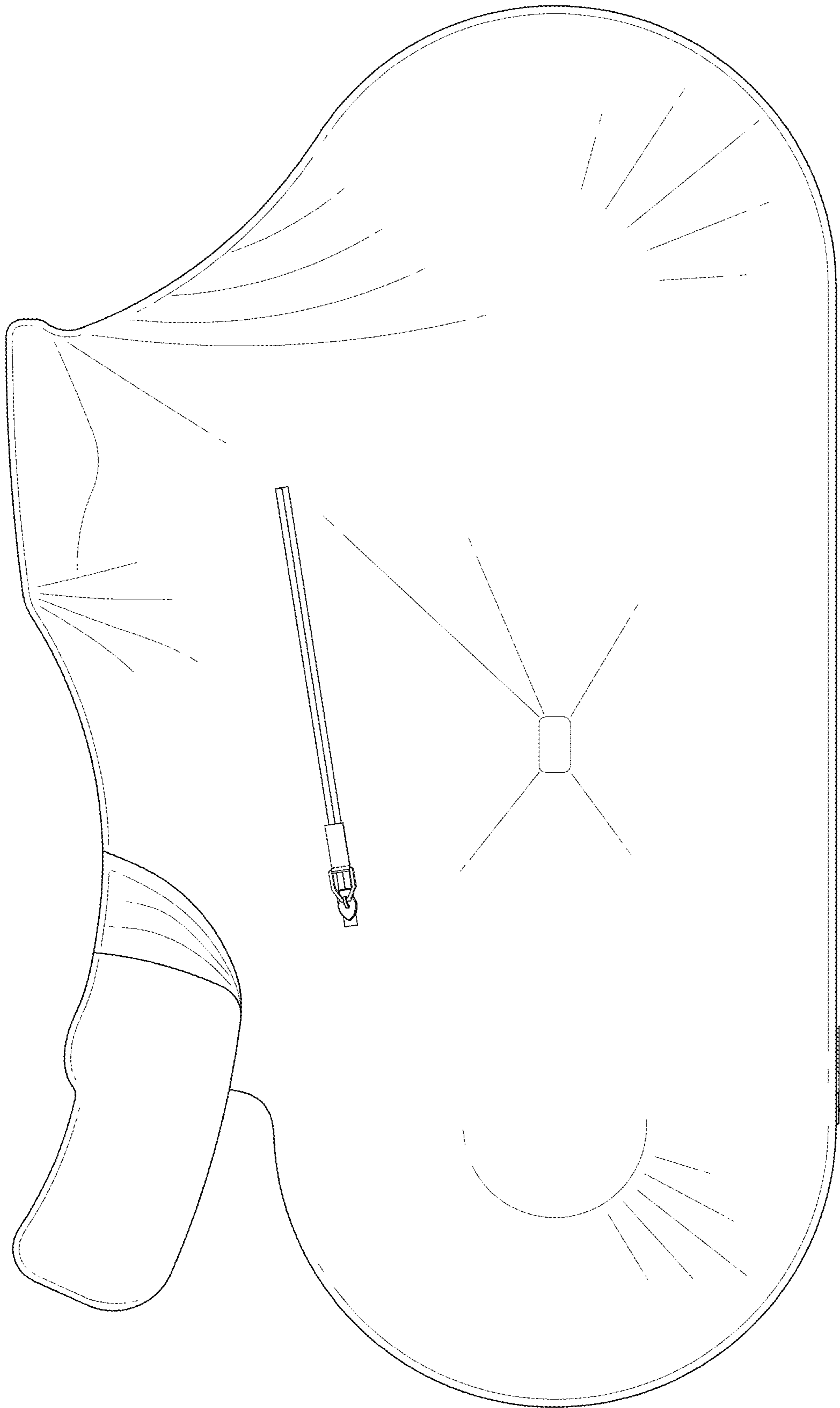


FIG.2

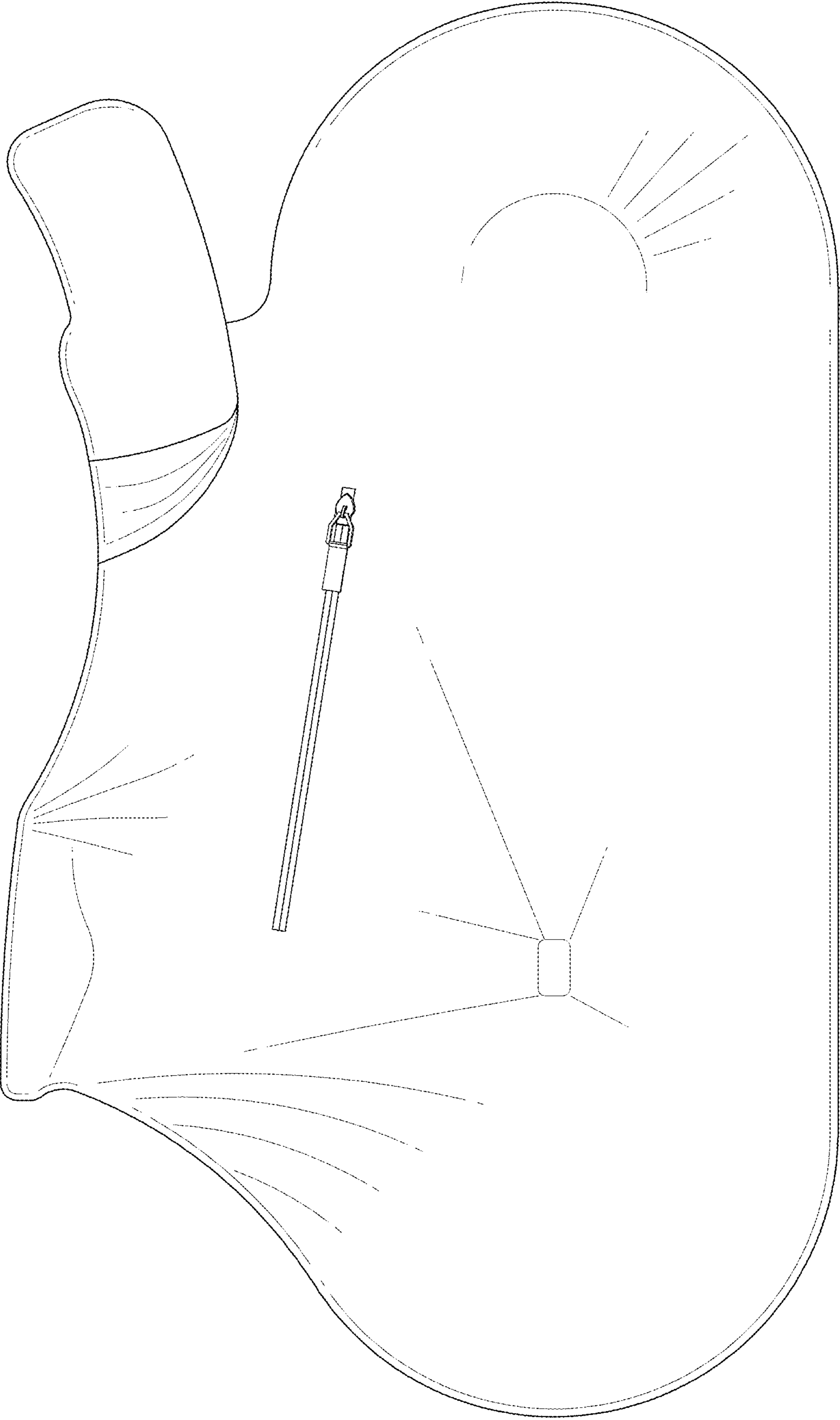


FIG.3

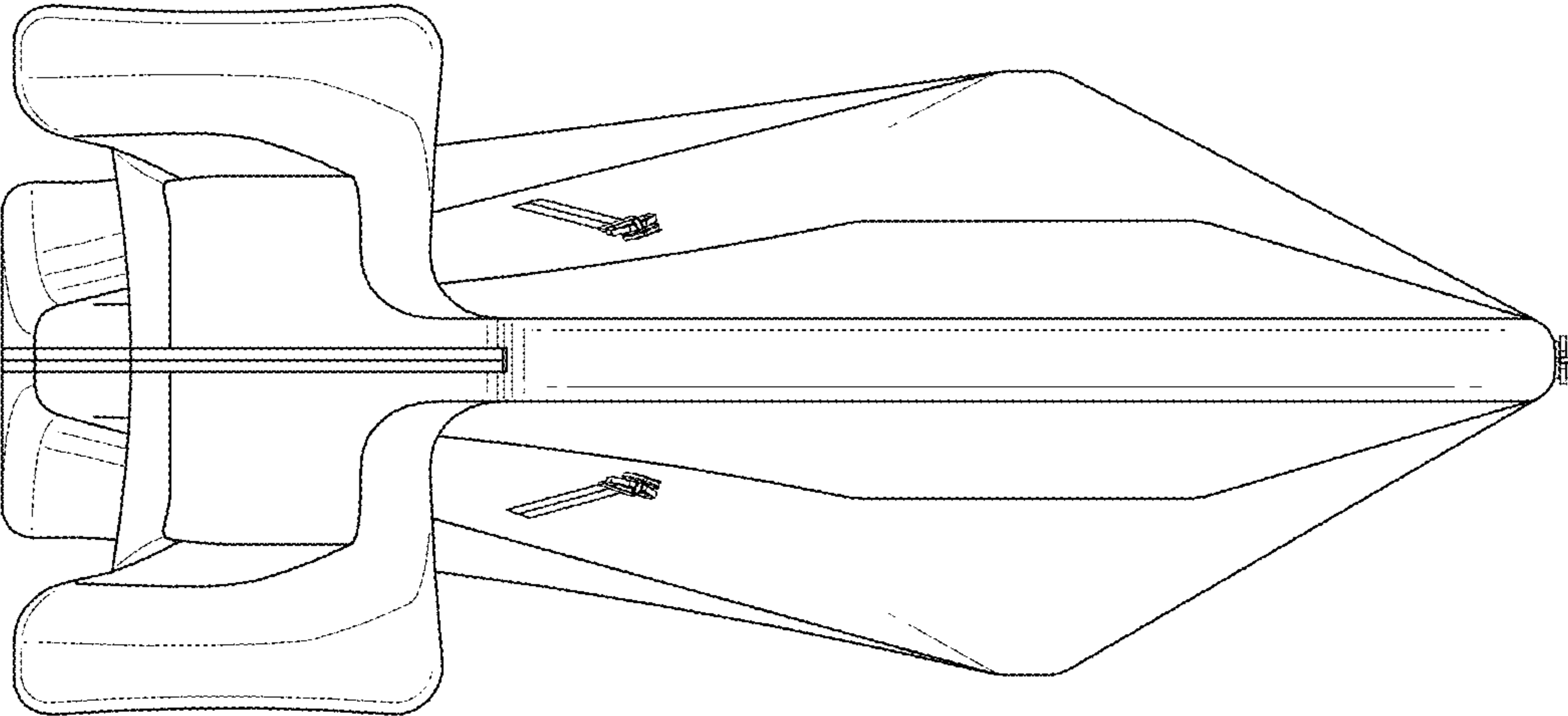


FIG.4

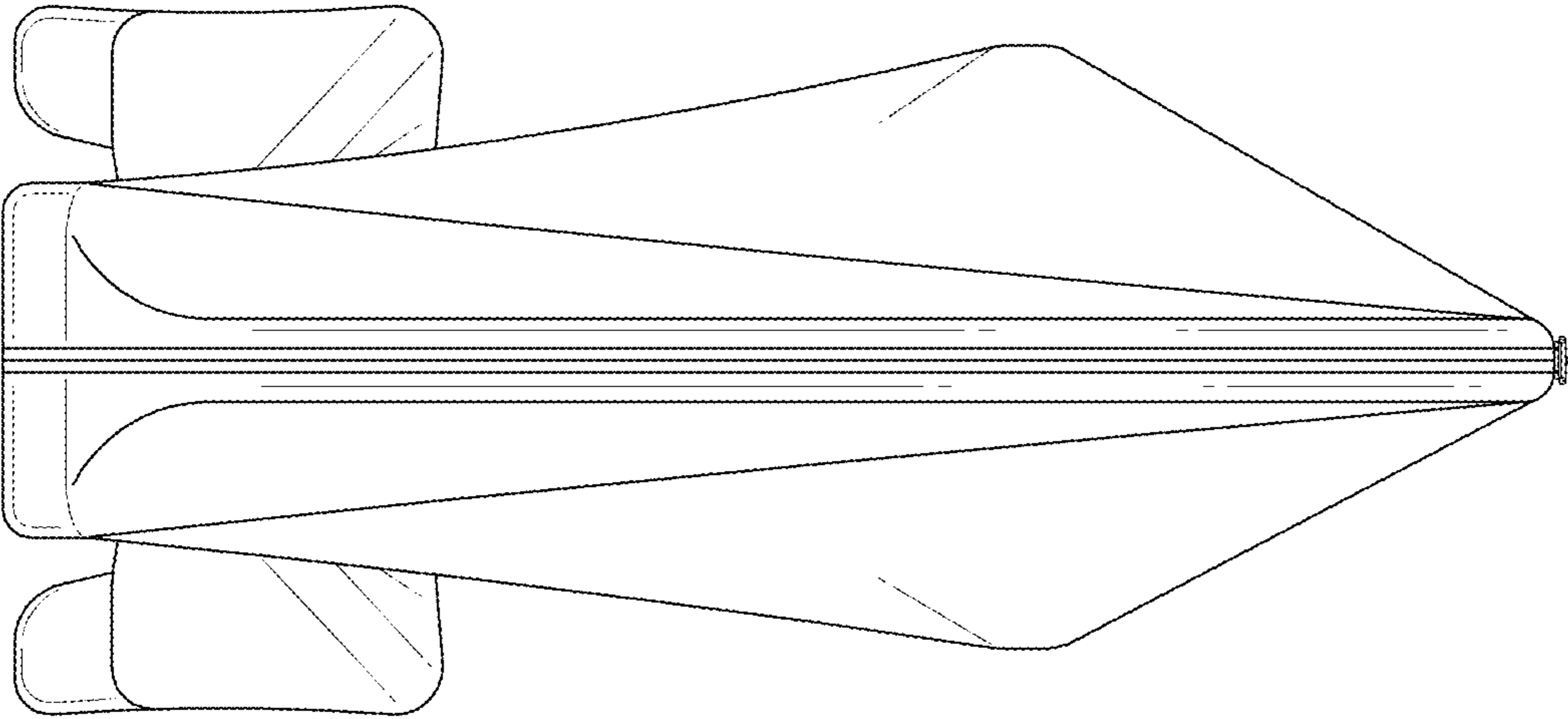


FIG.5

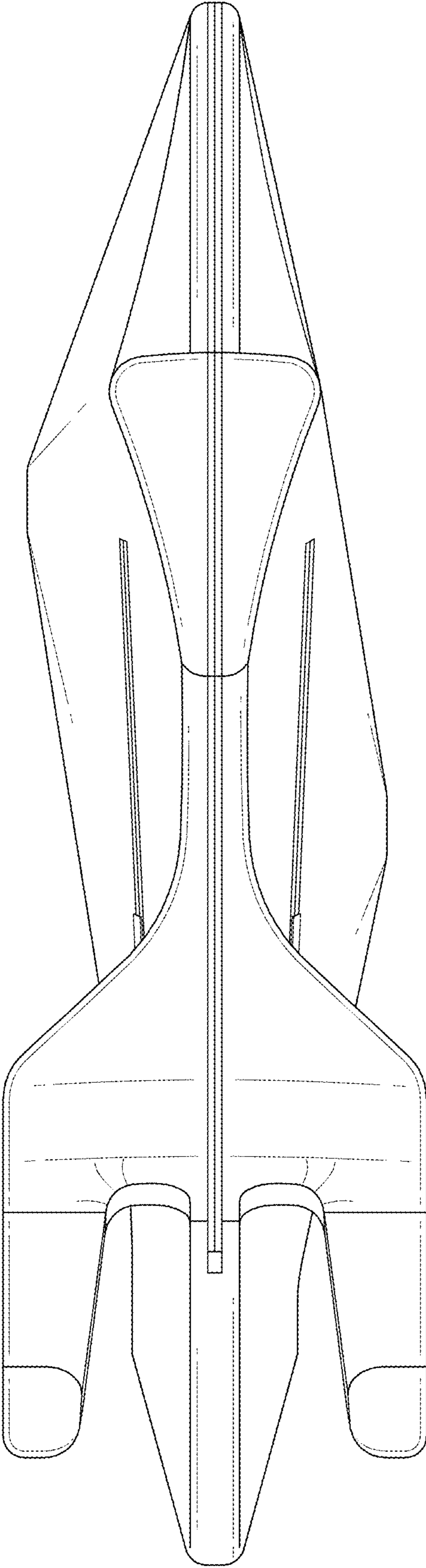


FIG.6

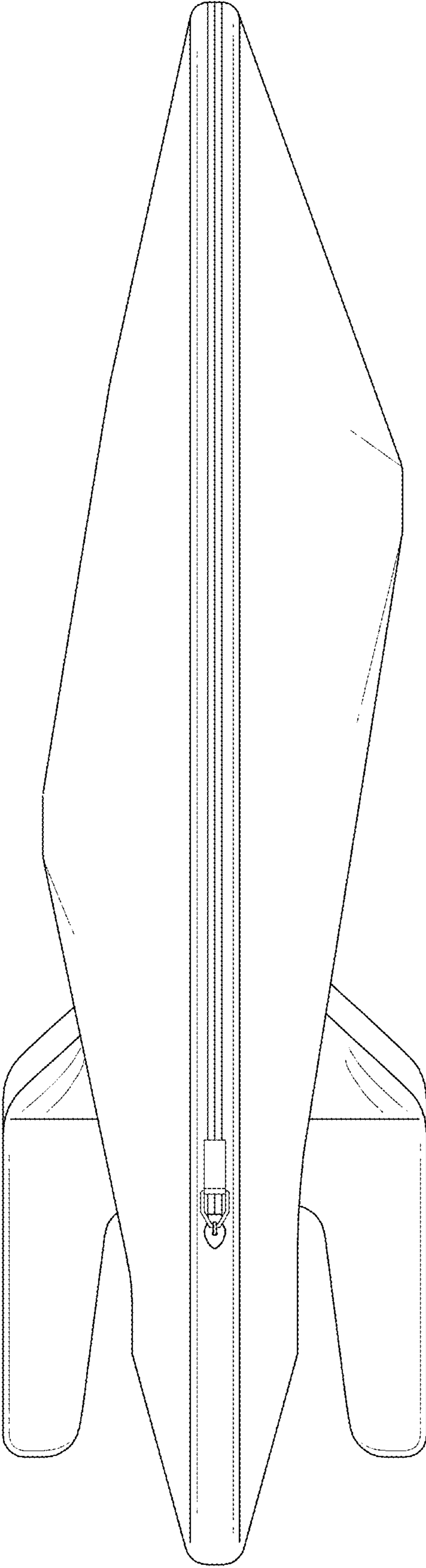


FIG.7