



US00D955313S

(12) **United States Design Patent**
Kim et al.

(10) **Patent No.:** **US D955,313 S**
(45) **Date of Patent:** **** Jun. 21, 2022**

(54) **VEHICLE INSTRUMENT PANEL**
(71) Applicant: **TESLA, INC.**, Palo Alto, CA (US)
(72) Inventors: **Wootak Kim**, Anaheim, CA (US);
Franz von Holzhausen, Malibu, CA
(US); **David Imai**, Los Angeles, CA
(US); **Ivan Lampkin**, Redondo Beach,
CA (US)
(73) Assignee: **TESLA, INC.**, Austin, TX (US)
(**) Term: **15 Years**

(21) Appl. No.: **29/714,133**
(22) Filed: **Nov. 21, 2019**
(51) **LOC (13) Cl.** **12-16**
(52) **U.S. Cl.**
USPC **D12/192**
(58) **Field of Classification Search**
USPC D12/192, 415, 114, 345
CPC ... B60R 21/045; B60R 11/0235; B60R 11/02;
B60K 35/00; B60K 37/04; B60H 1/34;
B60H 1/3407; B60H 1/3414; B60H
1/3421; B60H 1/3428; B60H 1/3435;
B60H 1/3442; B60H 1/345; B60H
1/3457; H05K 5/0017
See application file for complete search history.

(56) **References Cited**
U.S. PATENT DOCUMENTS
D843,288 S * 3/2019 Fontaeus D12/192
D847,054 S * 4/2019 Yamada D12/192

D853,919 S * 7/2019 Hazumi D12/192
D860,892 S * 9/2019 Ohmori D12/192
D877,012 S * 3/2020 Ali D12/192
D884,569 S * 5/2020 Roo-Clefas D12/192
D889,340 S * 7/2020 Lun D12/192
D902,101 S * 11/2020 Jacob D12/192
D903,560 S * 12/2020 Takamura D12/192

* cited by examiner

Primary Examiner — Susan E Krakower
Assistant Examiner — Jerry Shiuang-Hua Hsu
(74) *Attorney, Agent, or Firm* — Knobbe, Martens, Olson
& Bear, LLP

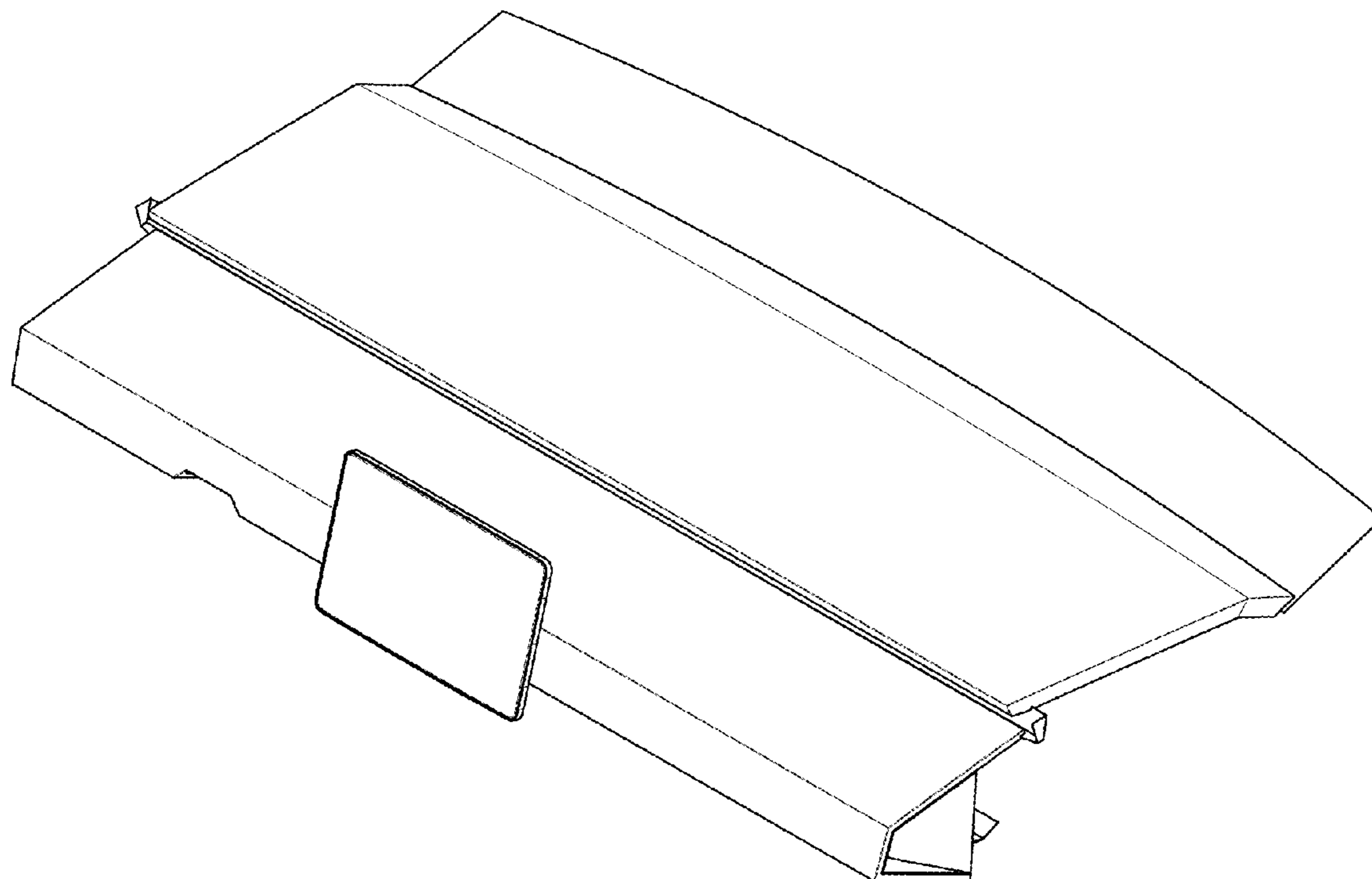
(57) **CLAIM**

We claim the ornamental design for a vehicle instrument panel, as shown and described.

DESCRIPTION

FIG. 1 is a front perspective view of a vehicle instrument panel, showing our new design;
FIG. 2 is a front view thereof;
FIG. 3 is a rear view thereof;
FIG. 4 is a right-side view thereof;
FIG. 5 is a left side view thereof;
FIG. 6 is a top view thereof; and,
FIG. 7 is a bottom view thereof.
The broken lines illustrate portions of the vehicle instrument panel that form no part of the claimed design.

1 Claim, 7 Drawing Sheets



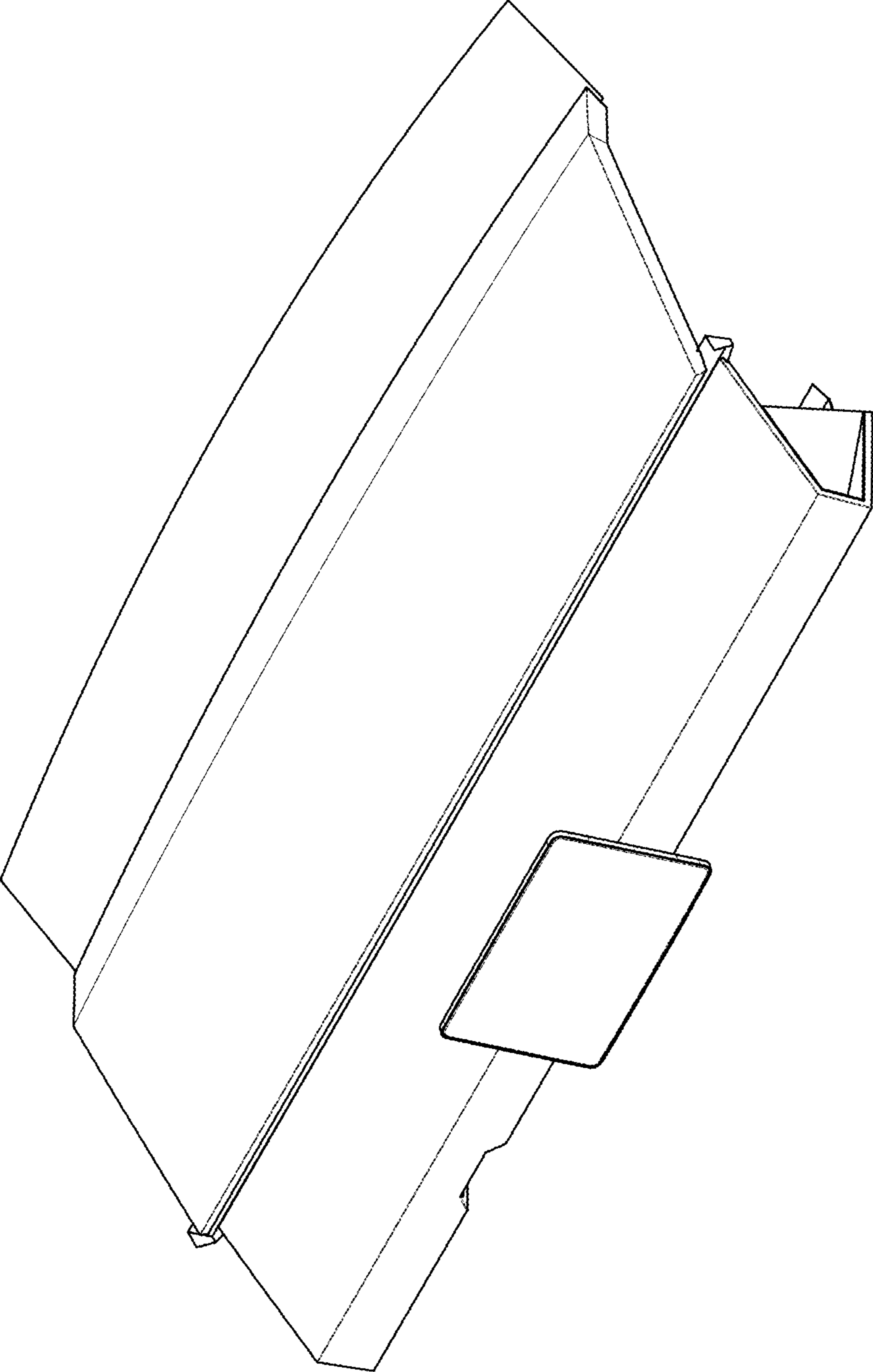


FIG. 1

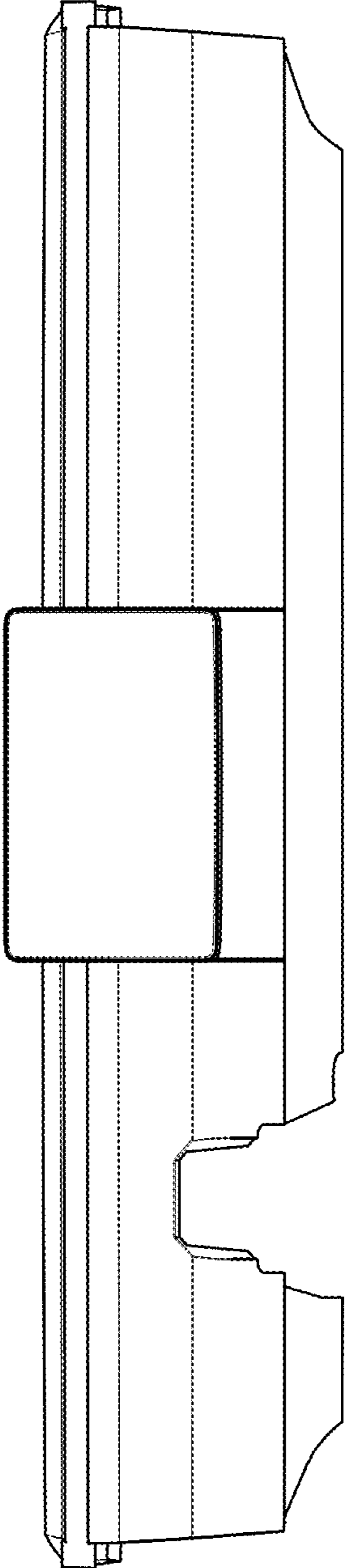


FIG. 2

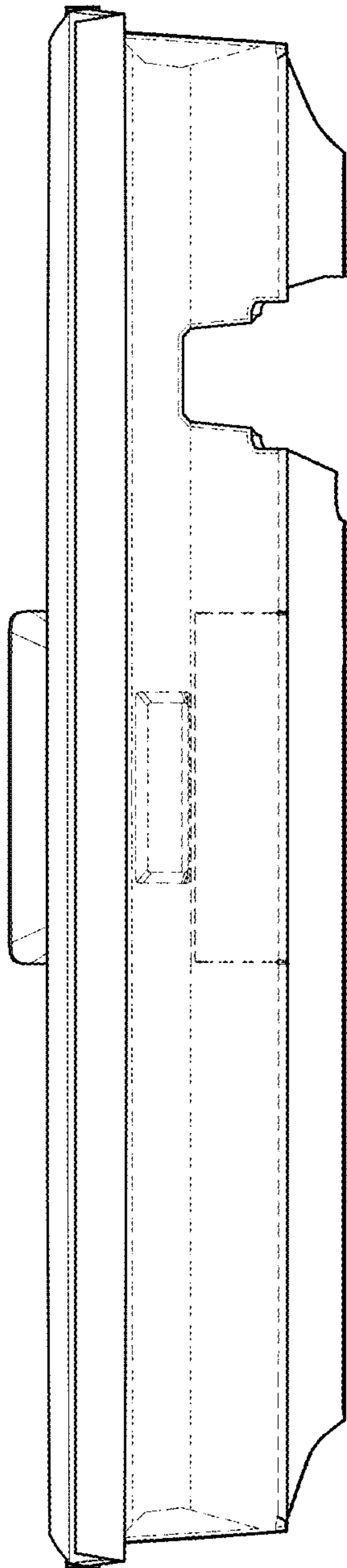


FIG. 3

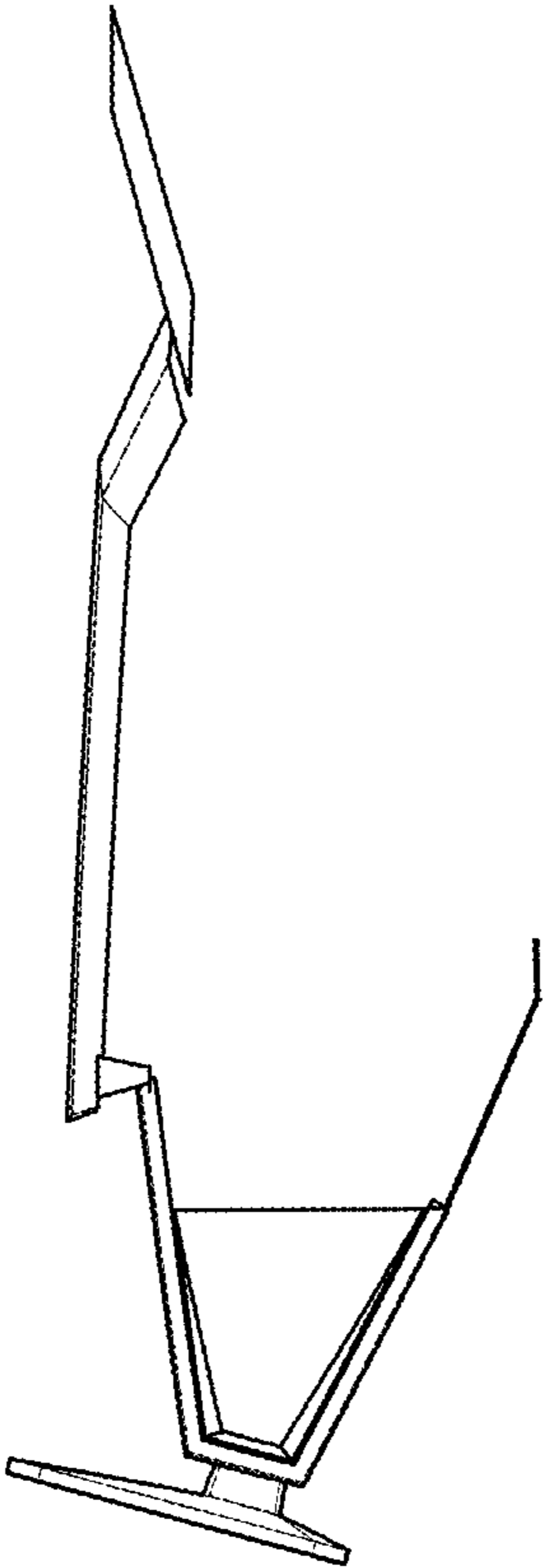


FIG. 4

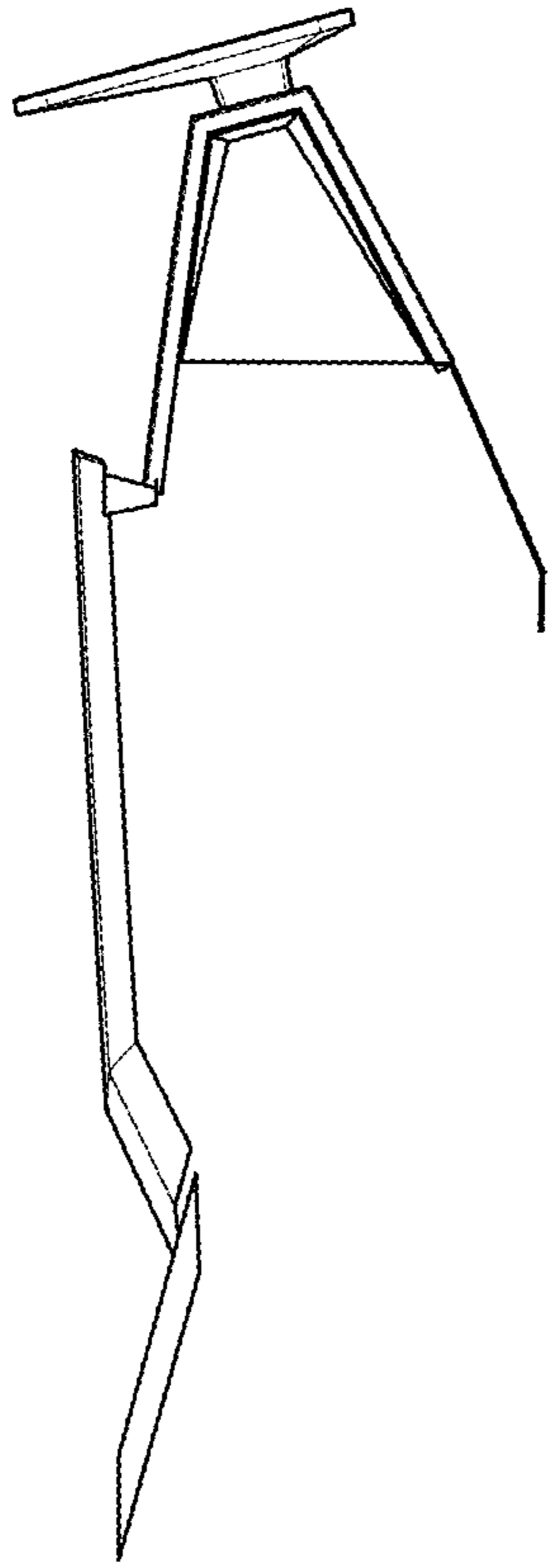


FIG. 5

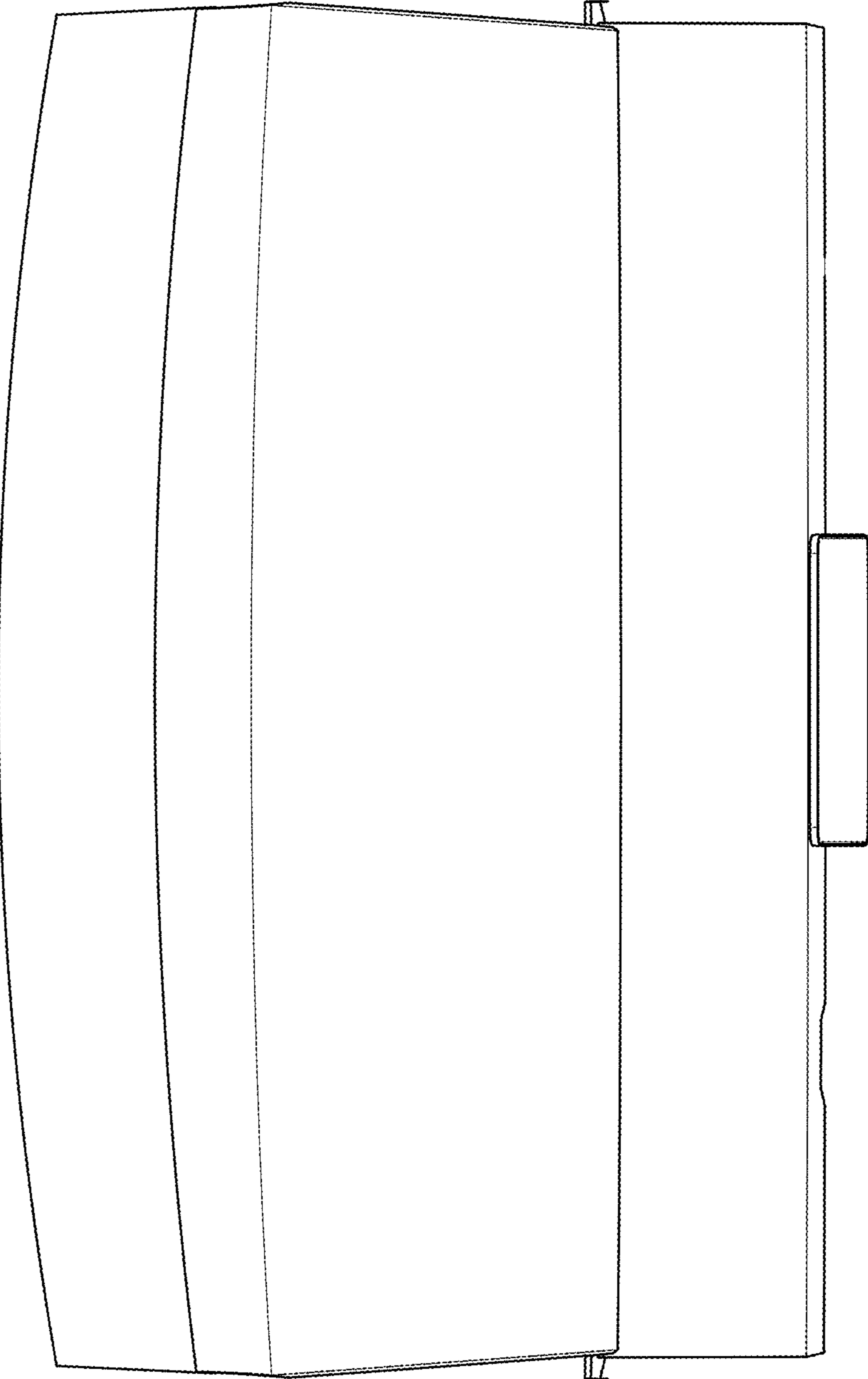


FIG. 6

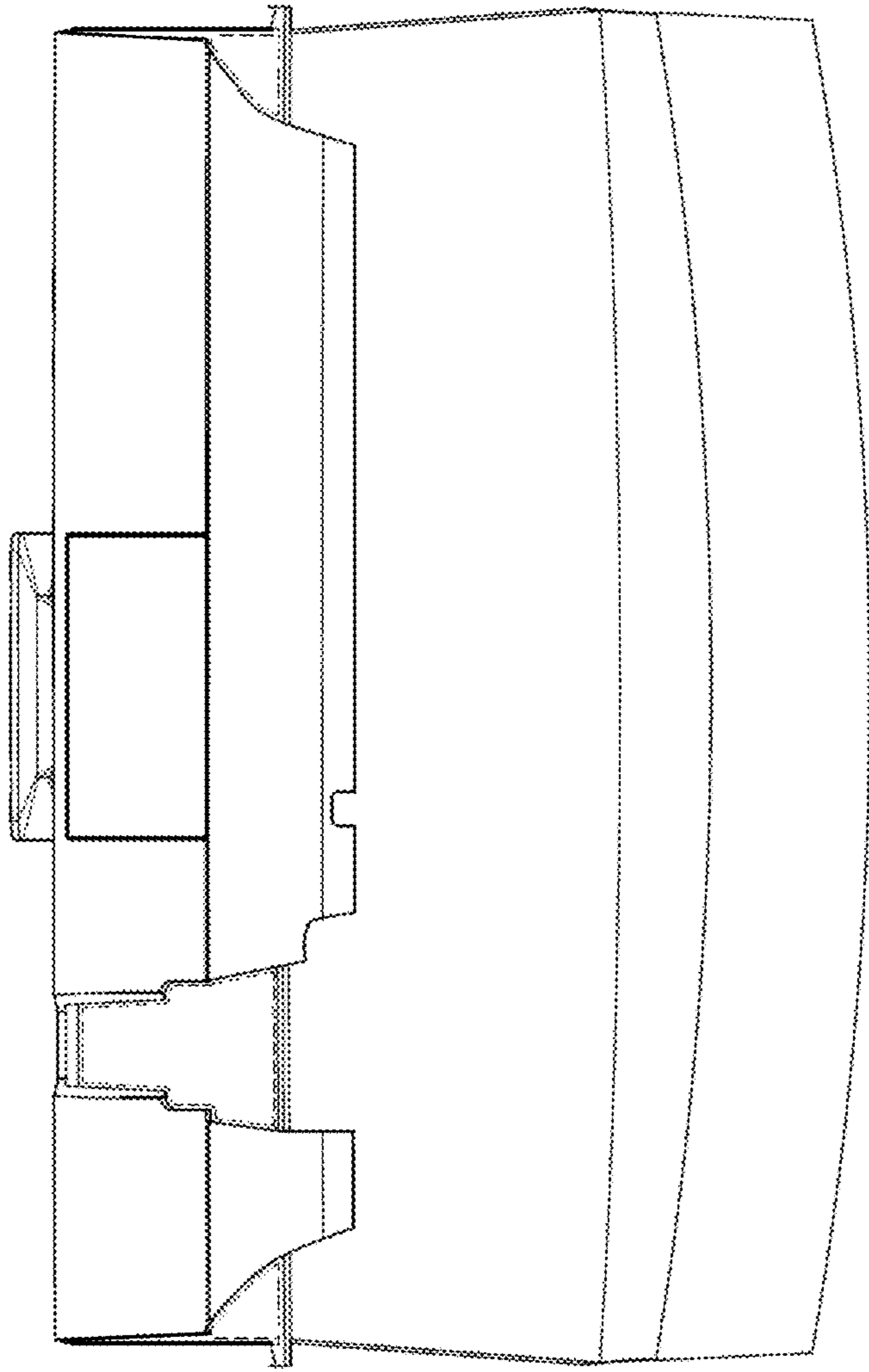


FIG. 7