



US00D955312S

(12) **United States Design Patent** (10) **Patent No.:** **US D955,312 S**
Langhals et al. (45) **Date of Patent:** **** Jun. 21, 2022**

(54) **LIFTGATE TRIM LOWER**

(71) Applicants: **Taylor A. Langhals**, Waterford, MI (US); **Tome Jovanoski**, Shelby Township, MI (US); **Timothy W. Anness**, Rochester Hills, MI (US)

(72) Inventors: **Taylor A. Langhals**, Waterford, MI (US); **Tome Jovanoski**, Shelby Township, MI (US); **Timothy W. Anness**, Rochester Hills, MI (US)

(73) Assignee: **FCA US LLC**, Auburn Hills, MI (US)

(**) Term: **15 Years**

(21) Appl. No.: **29/815,333**

(22) Filed: **Nov. 12, 2021**

(56) **References Cited**

U.S. PATENT DOCUMENTS
D854,234 S * 7/2019 Lucas D26/139
D865,602 S * 11/2019 Goodrich D12/190
D873,192 S * 1/2020 Smith D12/190
D882,472 S * 4/2020 Goodrich D12/190
D886,698 S * 6/2020 Goodrich D12/190
D902,815 S * 11/2020 Wheel D12/196
D905,606 S * 12/2020 Duncan D12/190
D909,267 S * 2/2021 Harvey D12/192
D914,564 S * 3/2021 Arai D12/190
D931,173 S * 9/2021 Fujikawa D12/190
D932,967 S * 10/2021 Ray D12/190

* cited by examiner

Primary Examiner — Katrina A Betton
(74) *Attorney, Agent, or Firm* — Ralph E. Smith

(57) **CLAIM**
The ornamental design for a liftgate trim lower, as shown and described.

Related U.S. Application Data

(63) Continuation-in-part of application No. 29/727,316, filed on Mar. 10, 2020, now Pat. No. Des. 935,940.
(51) **LOC (13) Cl.** **12-16**
(52) **U.S. Cl.**
USPC **D12/190**
(58) **Field of Classification Search**
USPC D12/190, 181, 192, 400, 90, 91, 92, 196, D12/197, 198, 199, 200, 171, 172, 163, D12/110, 114
CPC B60S 9/205; B60R 13/005; B60R 13/02
See application file for complete search history.

DESCRIPTION

FIG. 1 is a front perspective view of a liftgate trim lower showing our new design;
FIG. 2 is a front view thereof;
FIG. 3 is a rear view thereof;
FIG. 4 is a side view thereof;
FIG. 5 is an opposite side view thereof;
FIG. 6 is a top view thereof; and,
FIG. 7 is a bottom view thereof.
It will be understood that the broken lines shown in the drawings illustrate portions of the liftgate trim lower that form no part of the claimed design.

1 Claim, 4 Drawing Sheets



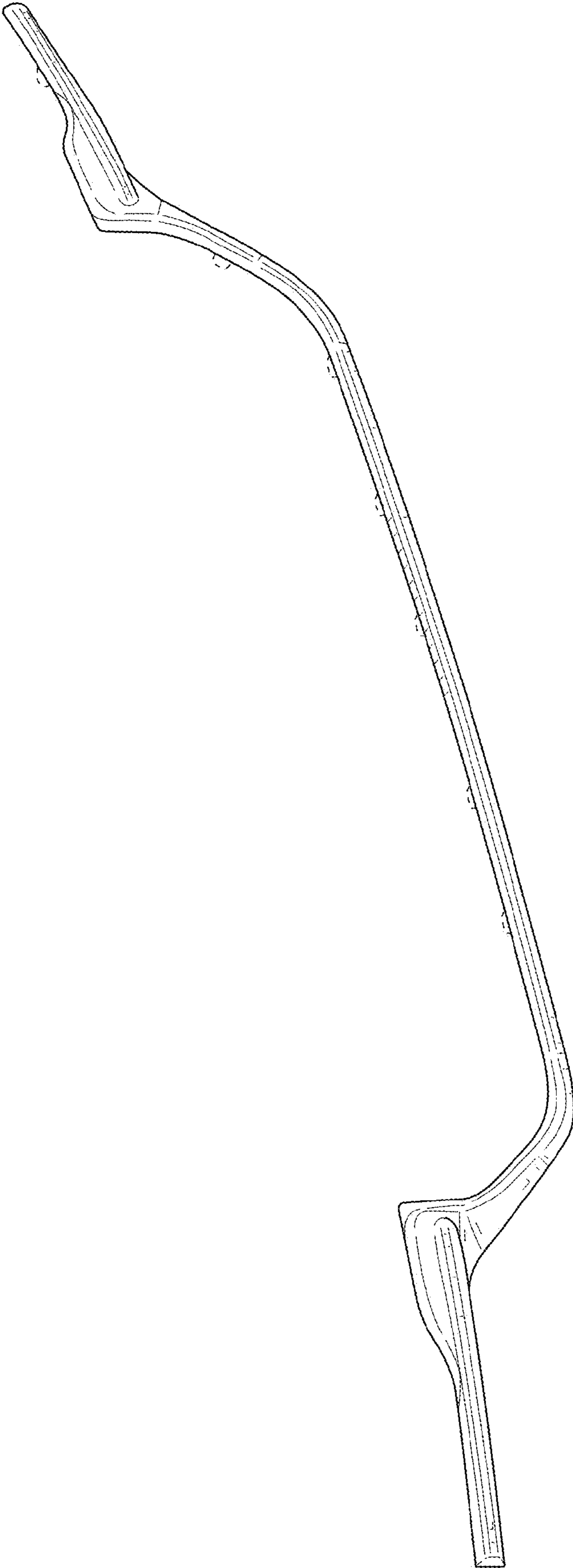


FIG. 1

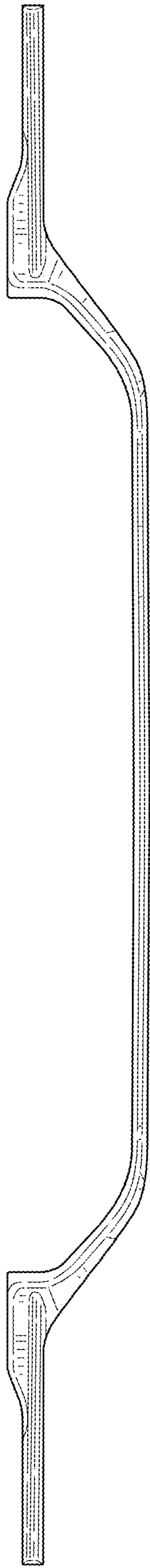


FIG. 2

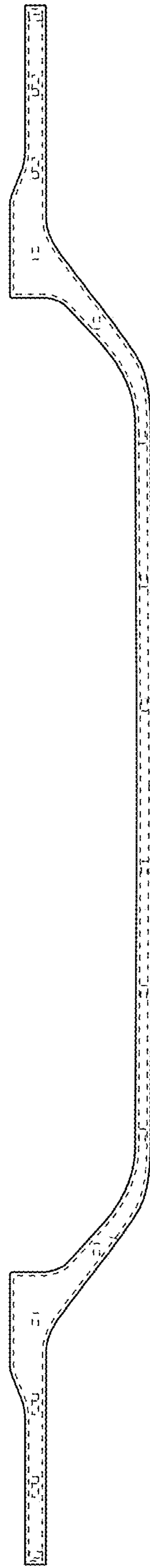


FIG. 3

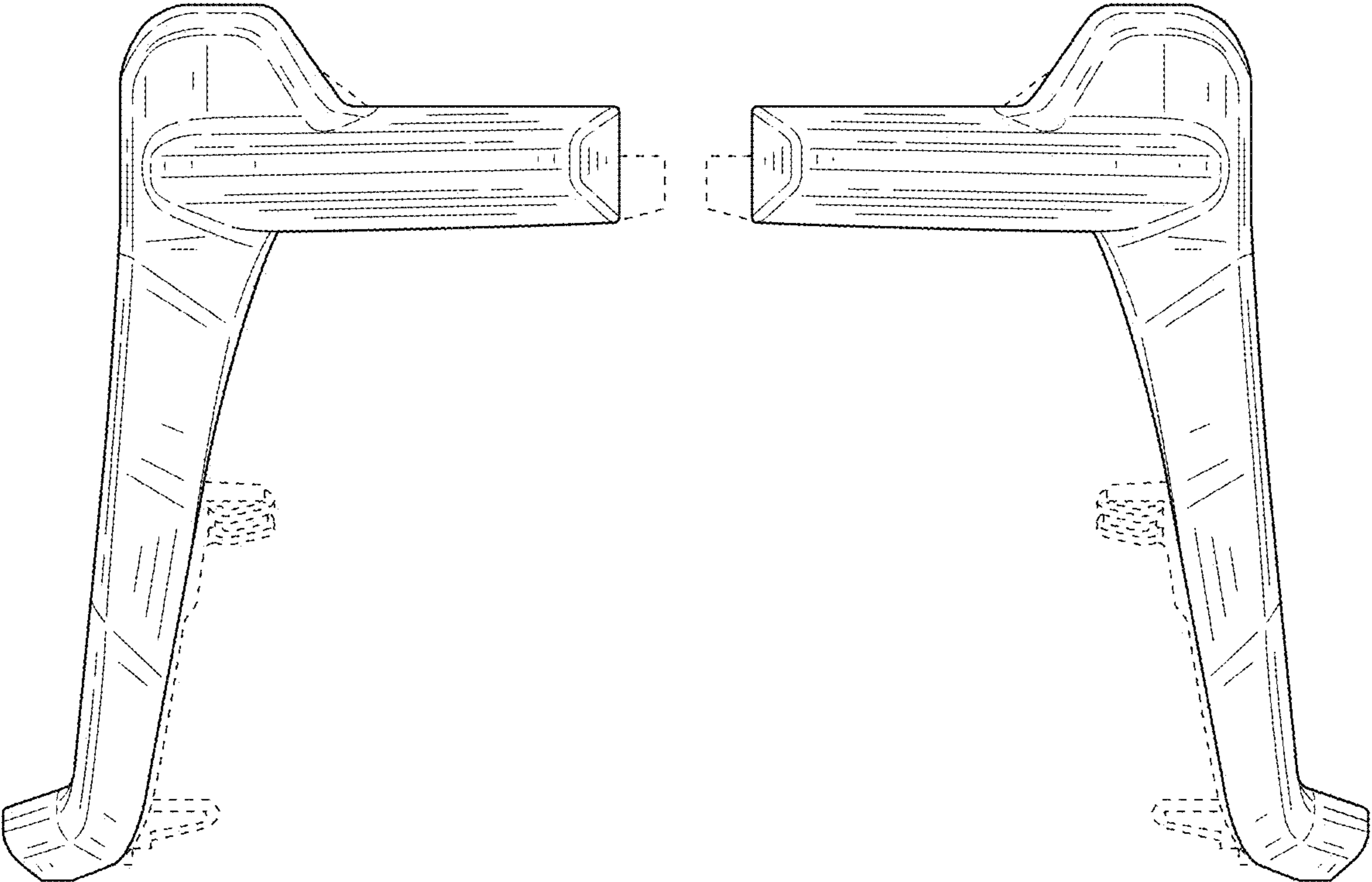


FIG. 4

FIG. 5

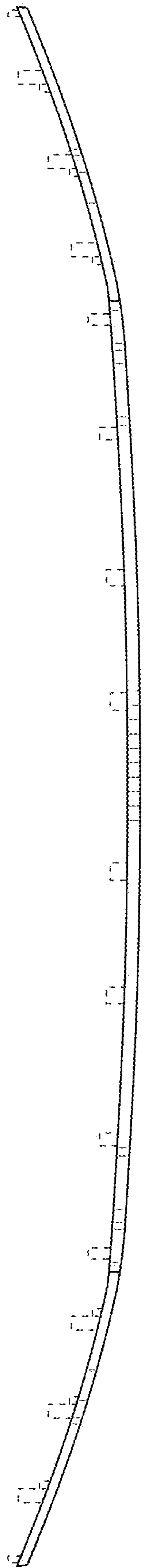


FIG. 6

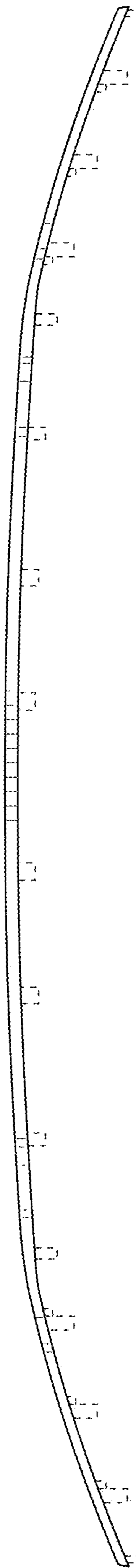


FIG. 7