



US00D955310S

(12) **United States Design Patent** (10) **Patent No.:** **US D955,310 S**
Kaoud et al. (45) **Date of Patent:** **** Jun. 21, 2022**

(54) **VEHICLE HOOD VENT**
(71) Applicant: **Ford Global Technologies, LLC**,
Dearborn, MI (US)
(72) Inventors: **Ehab N. Kaoud**, Livonia, MI (US);
Sean W. Tant, Livonia, MI (US);
Jiacheng Liu, Dearborn, MI (US)
(73) Assignee: **Ford Global Technologies, LLC**,
Dearborn, MI (US)

D763,152 S * 8/2016 Frascella D12/190
D784,887 S * 4/2017 Woolley D12/196
D788,659 S * 6/2017 Jelec D12/173
D827,532 S * 9/2018 Maher D12/190
D854,474 S * 7/2019 Grand D12/190
D874,368 S * 2/2020 Smith D12/190
D878,986 S * 3/2020 Smith D12/181
D902,815 S * 11/2020 Wheel D12/190
D913,171 S * 3/2021 Wiltshire D12/181
D916,636 S * 4/2021 Grand D12/190
D934,142 S * 10/2021 Bernardi D12/190
2008/0036222 A1* 2/2008 Iwamoto F01N 13/082
293/113

(**) Term: **15 Years**

* cited by examiner

(21) Appl. No.: **29/762,614**

Primary Examiner — Susan E Krakower
Assistant Examiner — Jerry Shiuan-Hua Hsu

(22) Filed: **Dec. 17, 2020**

(51) **LOC (13) Cl.** **12-16**

(52) **U.S. Cl.**
USPC **D12/190**

(57) **CLAIM**

The ornamental design for a vehicle hood vent, as shown and described.

(58) **Field of Classification Search**
USPC D12/190, 191, 181, 192, 400, 90, 91, 92,
D12/196, 197, 198, 199, 200, 171, 172,
D12/163, 110, 114, 173
CPC B60K 13/02; B60K 13/005; B60K 13/04;
B60H 1/34; B60H 1/248; B60H 1/262
See application file for complete search history.

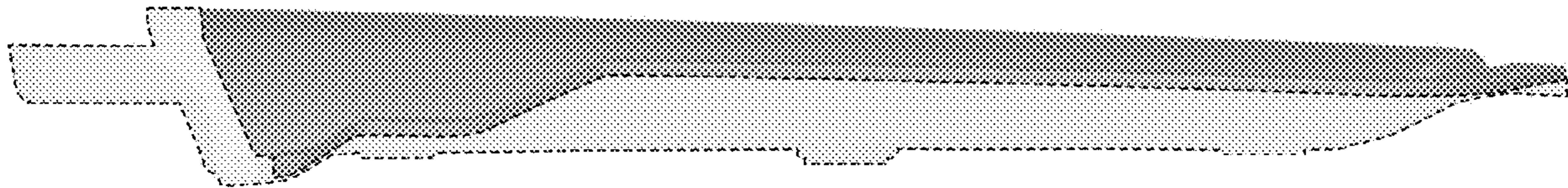
DESCRIPTION

FIG. 1 is a front elevational view of a vehicle hood vent, showing our new design;
FIG. 2 is a rear elevational view thereof;
FIG. 3 is a left side elevational view thereof;
FIG. 4 is a right side elevational view thereof;
FIG. 5 is a top plan view thereof;
FIG. 6 is a top, front and left side perspective view thereof; and,
FIG. 7 is a top, rear and right side perspective view thereof. The broken lines and lightened elements illustrate portions of the vehicle hood vent which form no part of the claimed design.

(56) **References Cited**
U.S. PATENT DOCUMENTS

D631,806 S * 2/2011 Schneider D12/190
D668,596 S * 10/2012 Leahy D12/190
D726,080 S * 4/2015 Mays D12/173
D758,257 S 6/2016 Platto et al.

1 Claim, 7 Drawing Sheets



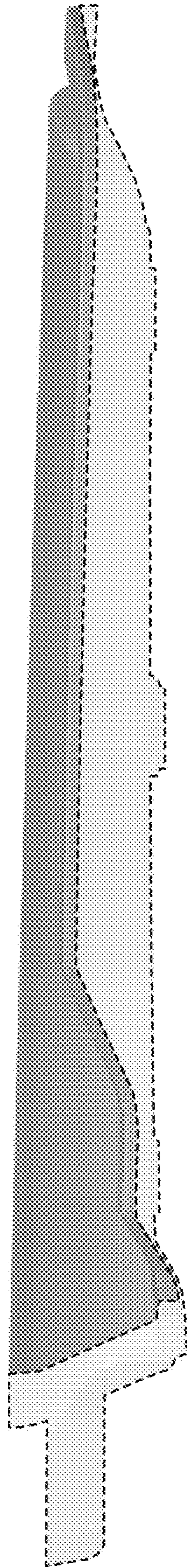


Fig. 1

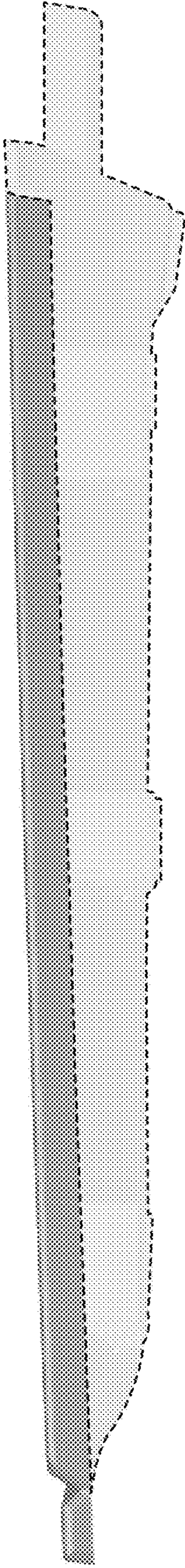


Fig.2

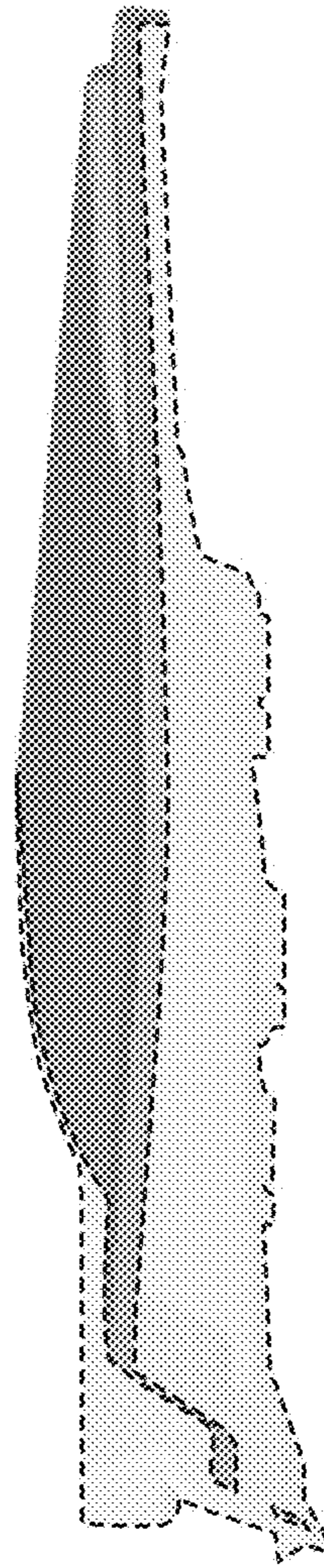


Fig. 3

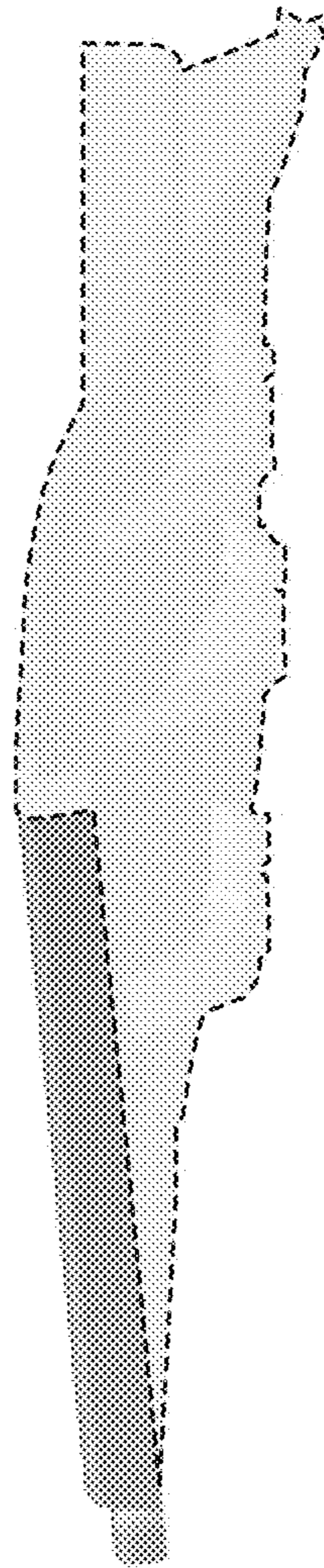


Fig. 4

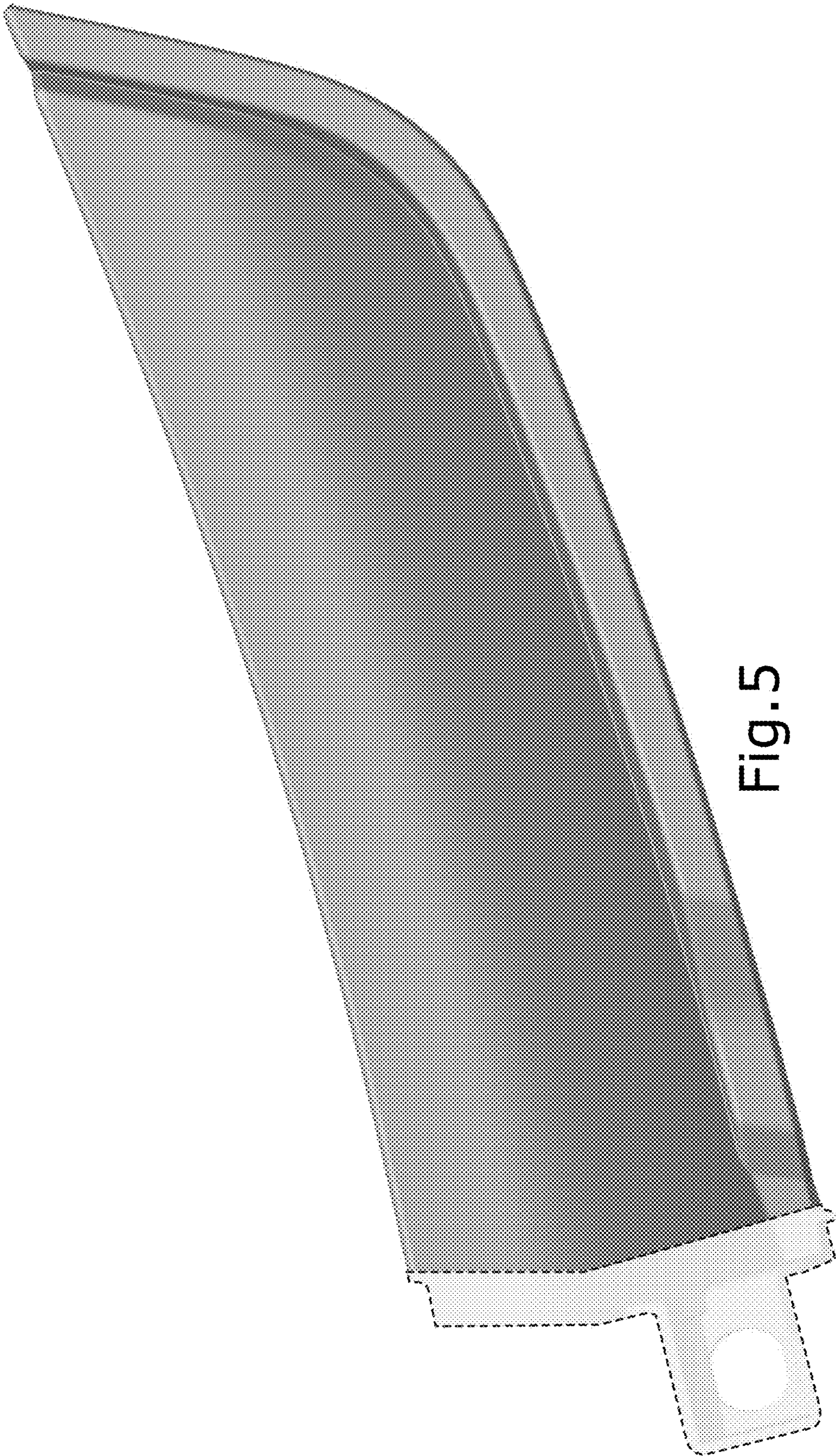


Fig. 5

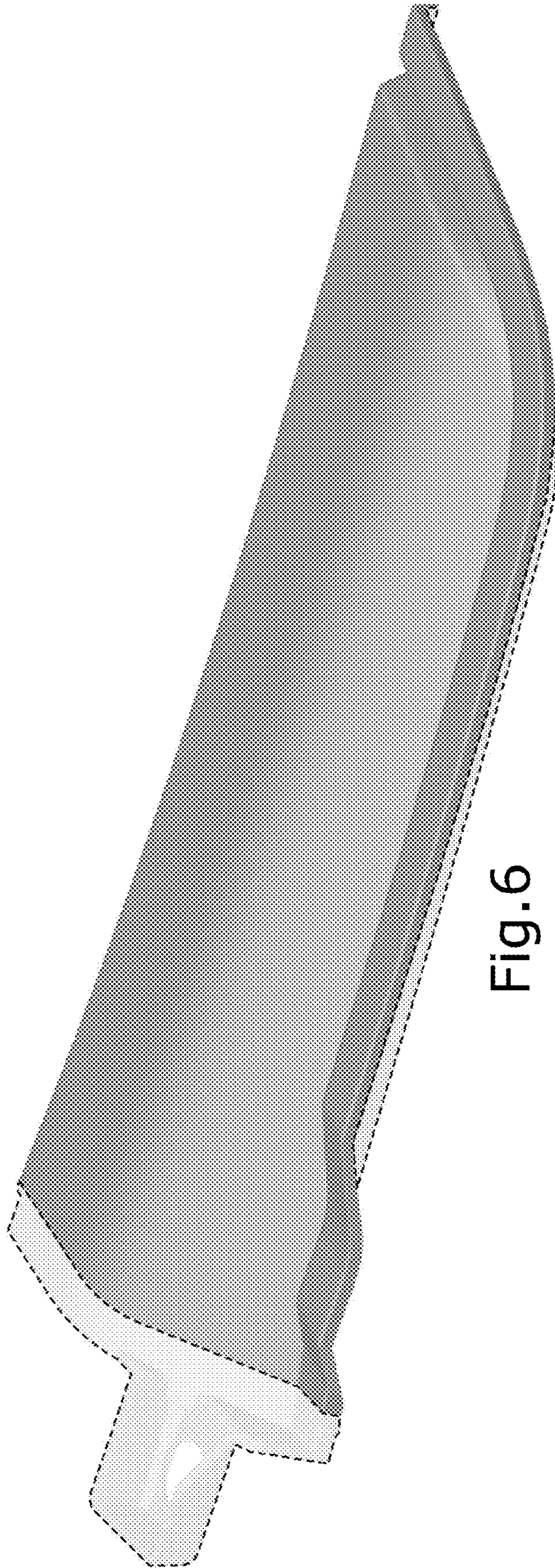


Fig. 6

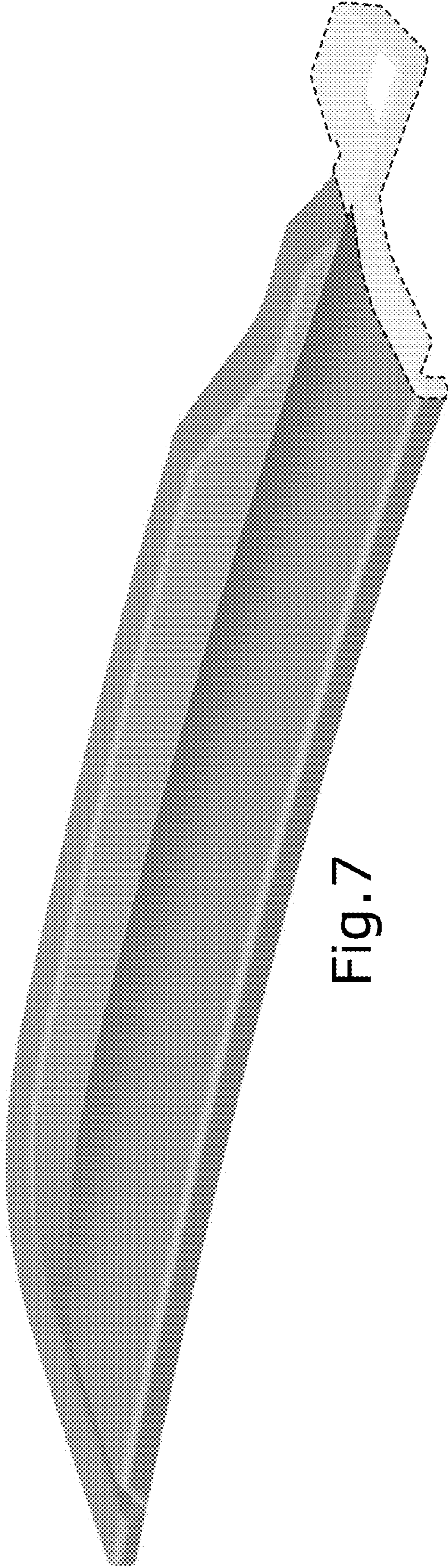


Fig. 7