



US00D955309S

(12) **United States Design Patent** (10) **Patent No.:** **US D955,309 S**  
**Kaoud et al.** (45) **Date of Patent:** **\*\* Jun. 21, 2022**

(54) **VEHICLE HOOD VENT**  
(71) Applicant: **Ford Global Technologies, LLC**,  
Dearborn, MI (US)  
(72) Inventors: **Ehab N. Kaoud**, Livonia, MI (US);  
**Sean W. Tant**, Livonia, MI (US);  
**Jiacheng Liu**, Dearborn, MI (US)  
(73) Assignee: **Ford Global Technologies, LLC**,  
Dearborn, MI (US)  
(\*\*) Term: **15 Years**  
(21) Appl. No.: **29/762,604**  
(22) Filed: **Dec. 17, 2020**  
(51) **LOC (13) Cl.** ..... **12-16**  
(52) **U.S. Cl.**  
USPC ..... **D12/190**  
(58) **Field of Classification Search**  
USPC .... D12/190, 191, 181, 192, 400, 90, 91, 92,  
D12/196, 197, 198, 199, 200, 171, 172,  
D12/163, 110, 114, 173  
CPC ..... B60K 13/02; B60K 13/005; B60K 13/04;  
B60H 1/34; B60H 1/248; B60H 1/262  
See application file for complete search history.

(56) **References Cited**  
U.S. PATENT DOCUMENTS  
D502,128 S \* 2/2005 Chiang ..... D12/173  
D508,665 S \* 8/2005 Chan ..... D12/173  
D545,252 S \* 6/2007 Chiang ..... D12/173  
D575,206 S \* 8/2008 Shelby ..... D12/173  
D575,699 S \* 8/2008 Chiang ..... D12/173  
D640,959 S \* 7/2011 Furst ..... D12/173  
D687,348 S \* 8/2013 Nurnberger ..... D12/92  
D694,159 S \* 11/2013 Jung ..... D12/173  
D702,163 S \* 4/2014 Campbell ..... D12/173  
D704,102 S \* 5/2014 Nurnberger ..... D12/92

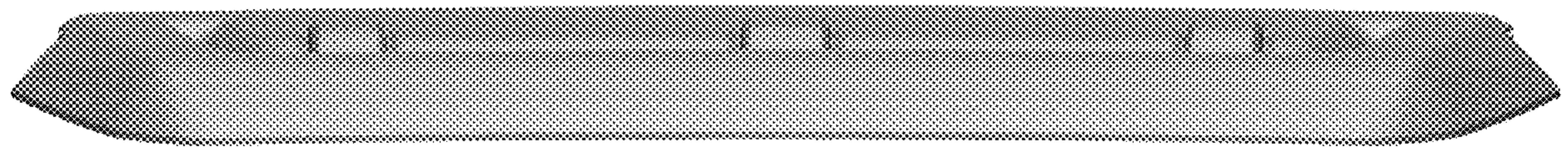
D718,684 S \* 12/2014 Thole ..... D12/173  
D735,625 S \* 8/2015 Mays ..... D12/173  
D746,725 S \* 1/2016 Stopka ..... D12/163  
D758,257 S 6/2016 Platto et al.  
D795,765 S \* 8/2017 Rolfs ..... D12/173  
D875,007 S \* 2/2020 DiCanzio ..... D12/190

\* cited by examiner  
*Primary Examiner* — Susan E Krakower  
*Assistant Examiner* — Jerry Shiuan-Hua Hsu

(57) **CLAIM**  
The ornamental design for a vehicle hood vent, as shown and described.

**DESCRIPTION**  
FIG. 1 is a front elevational view of a first embodiment of a vehicle hood vent, showing our new design;  
FIG. 2 is a rear elevational view thereof;  
FIG. 3 is a left side elevational view thereof;  
FIG. 4 is a right side elevational view thereof;  
FIG. 5 is a top plan view thereof;  
FIG. 6 is a top, front and left side perspective view thereof;  
FIG. 7 is a top, rear and left side perspective view thereof;  
FIG. 8 is a front elevational view of a second embodiment of a vehicle hood vent, showing our new design;  
FIG. 9 is a rear elevational view thereof;  
FIG. 10 is a left side elevational view thereof;  
FIG. 11 is a right side elevational view thereof;  
FIG. 12 is a top plan view thereof;  
FIG. 13 is a top, front and left side perspective view thereof; and,  
FIG. 14 is a top, rear and left side perspective view thereof. The broken lines and lightened elements illustrate portions of the vehicle hood vent which forms no part of the claimed design.

**1 Claim, 14 Drawing Sheets**



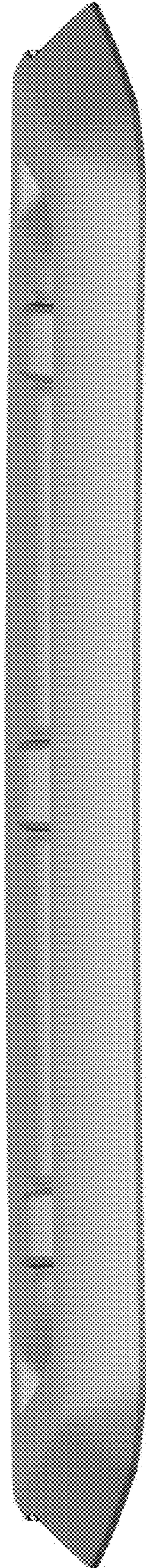


Fig.1

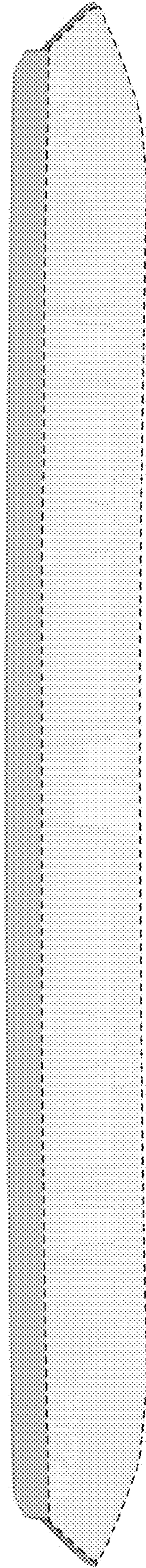


Fig. 2

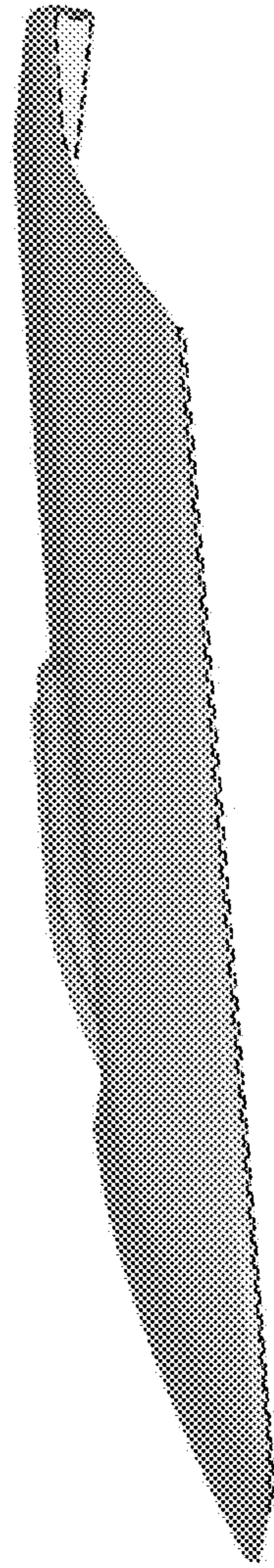


Fig. 3

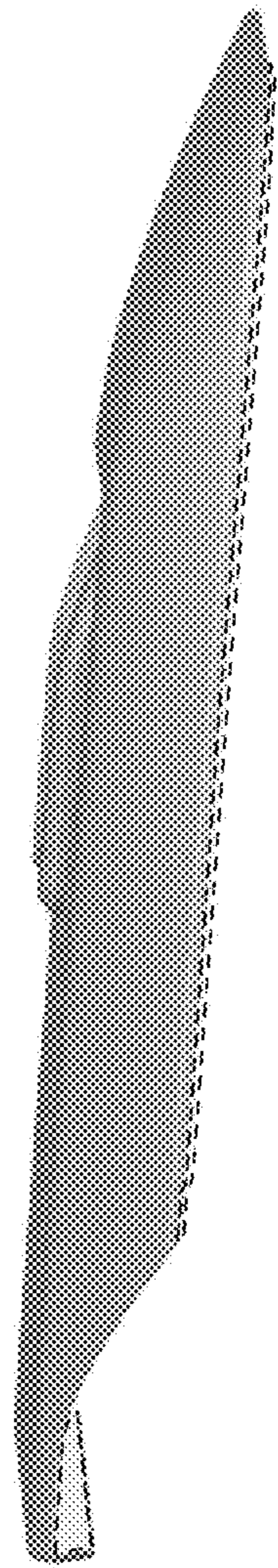


Fig.4

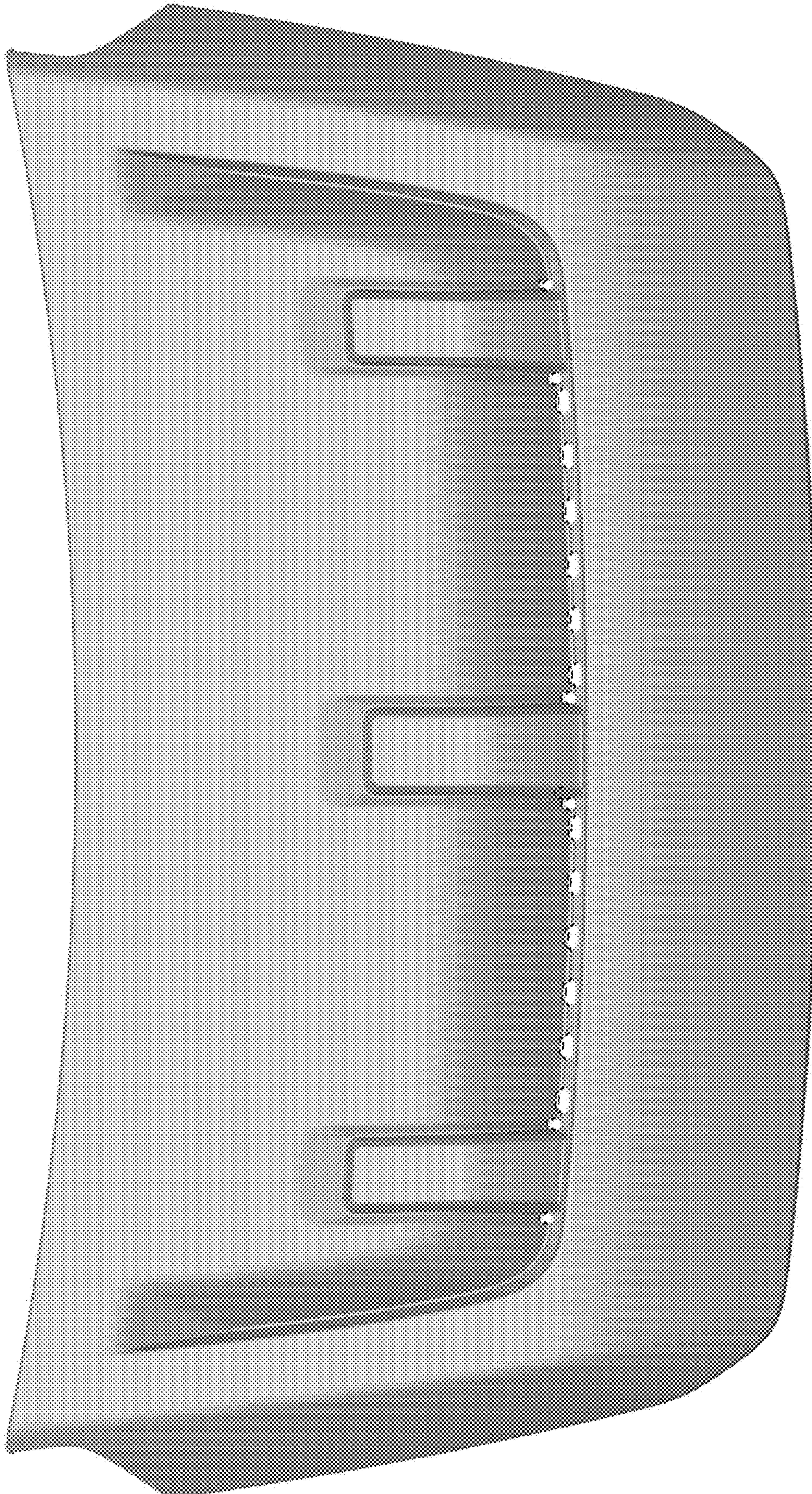


Fig. 5

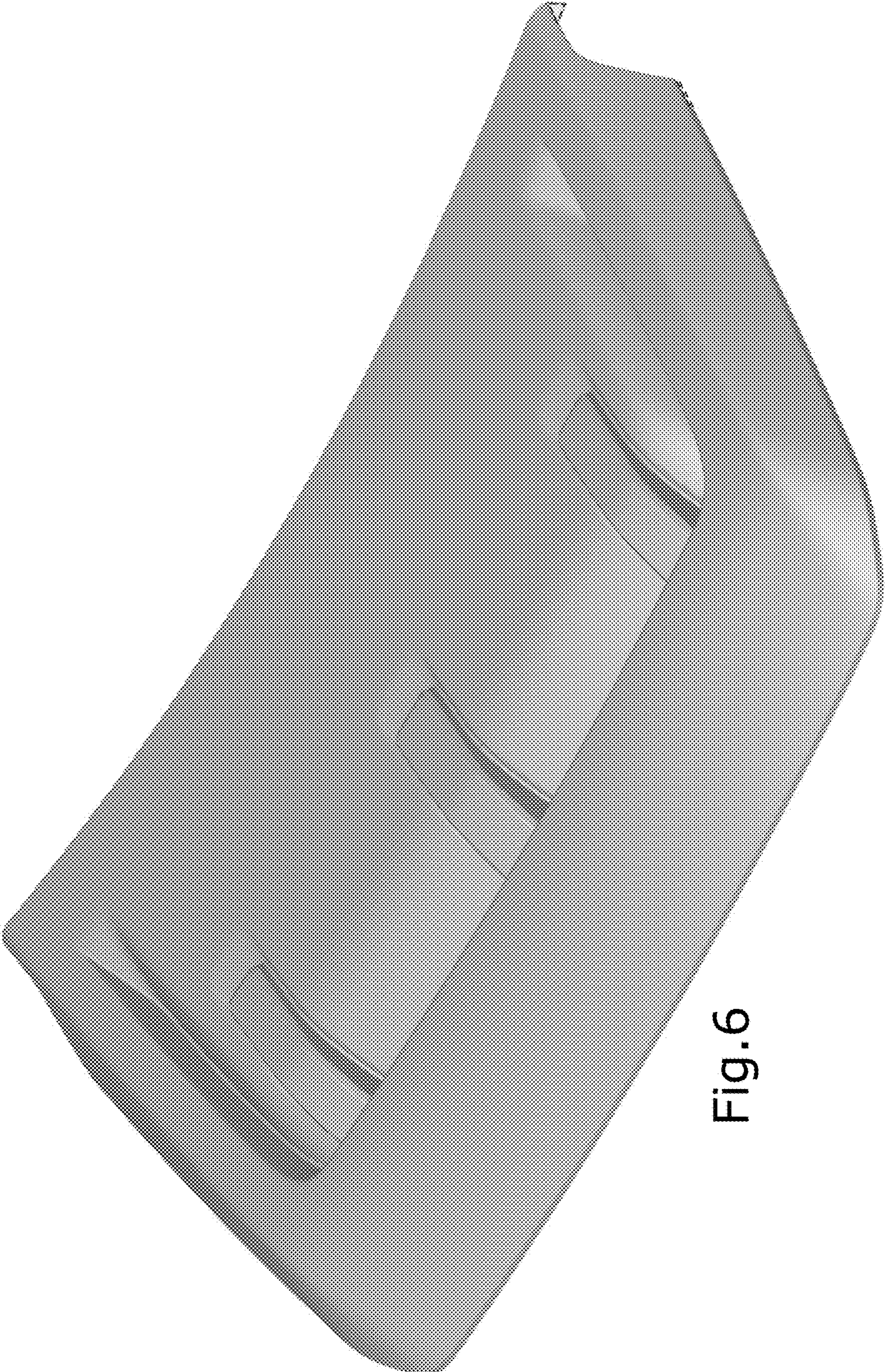


Fig.6

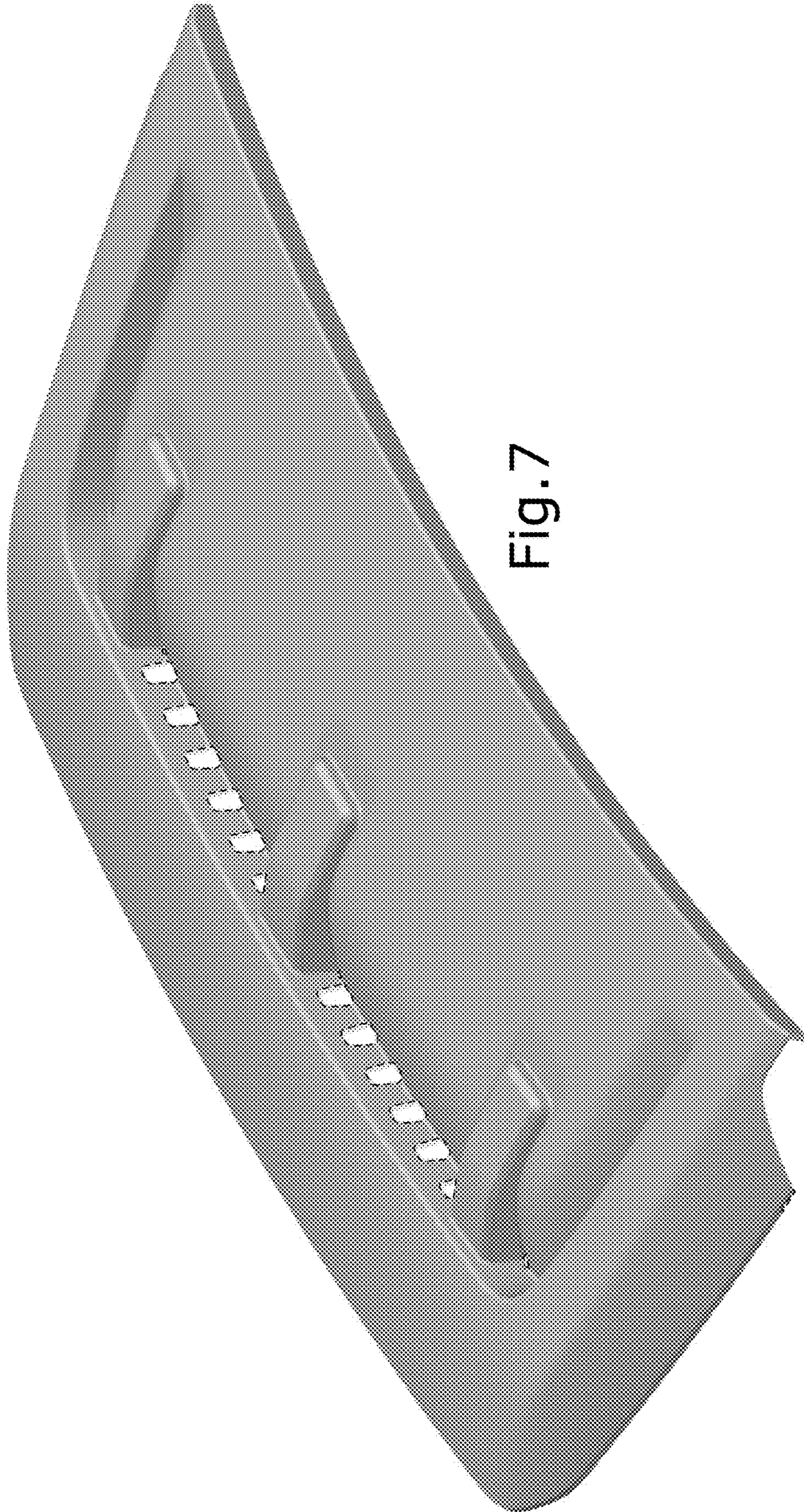


Fig. 7



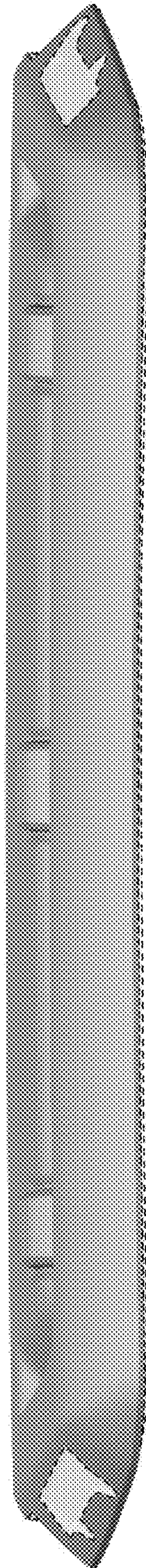


Fig. 8

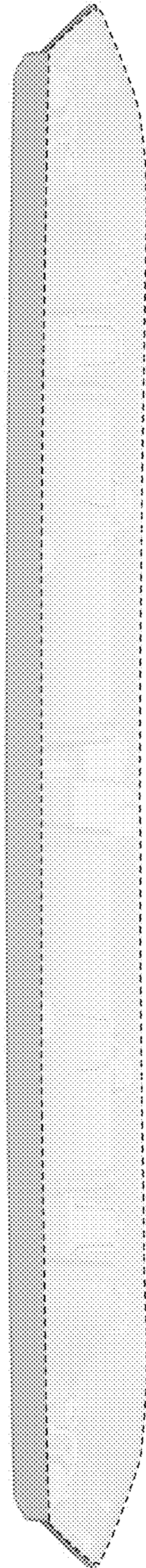


Fig. 9

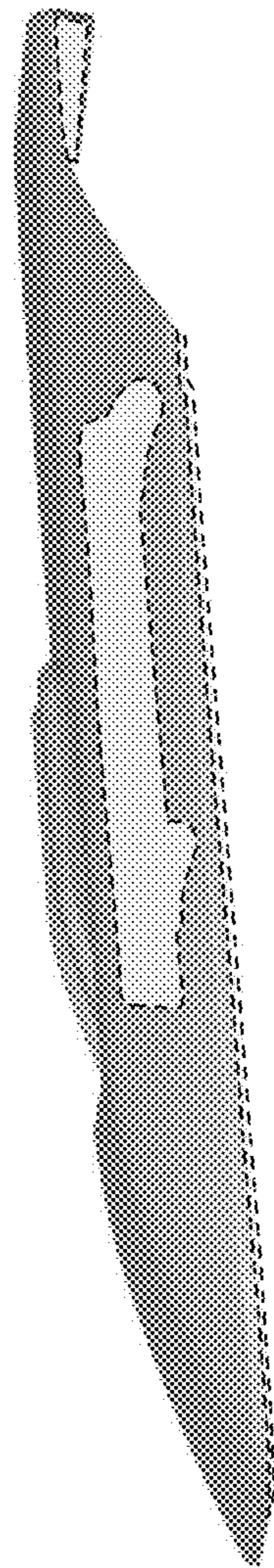


Fig. 10

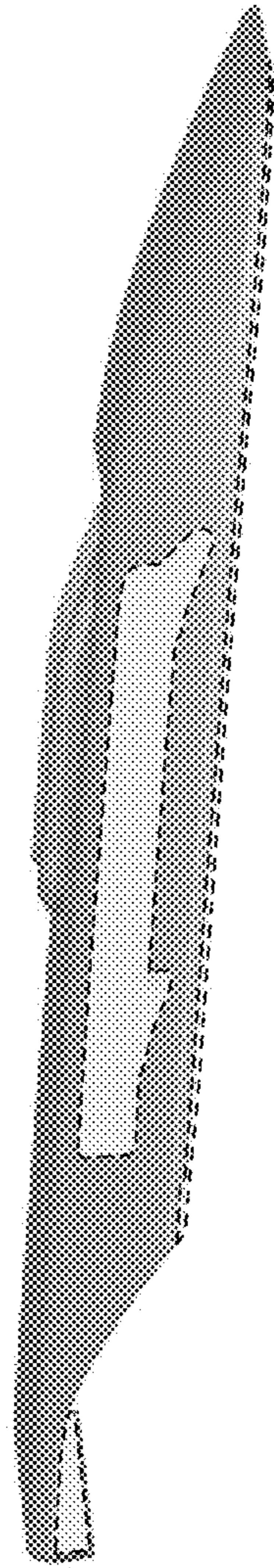


Fig. 11

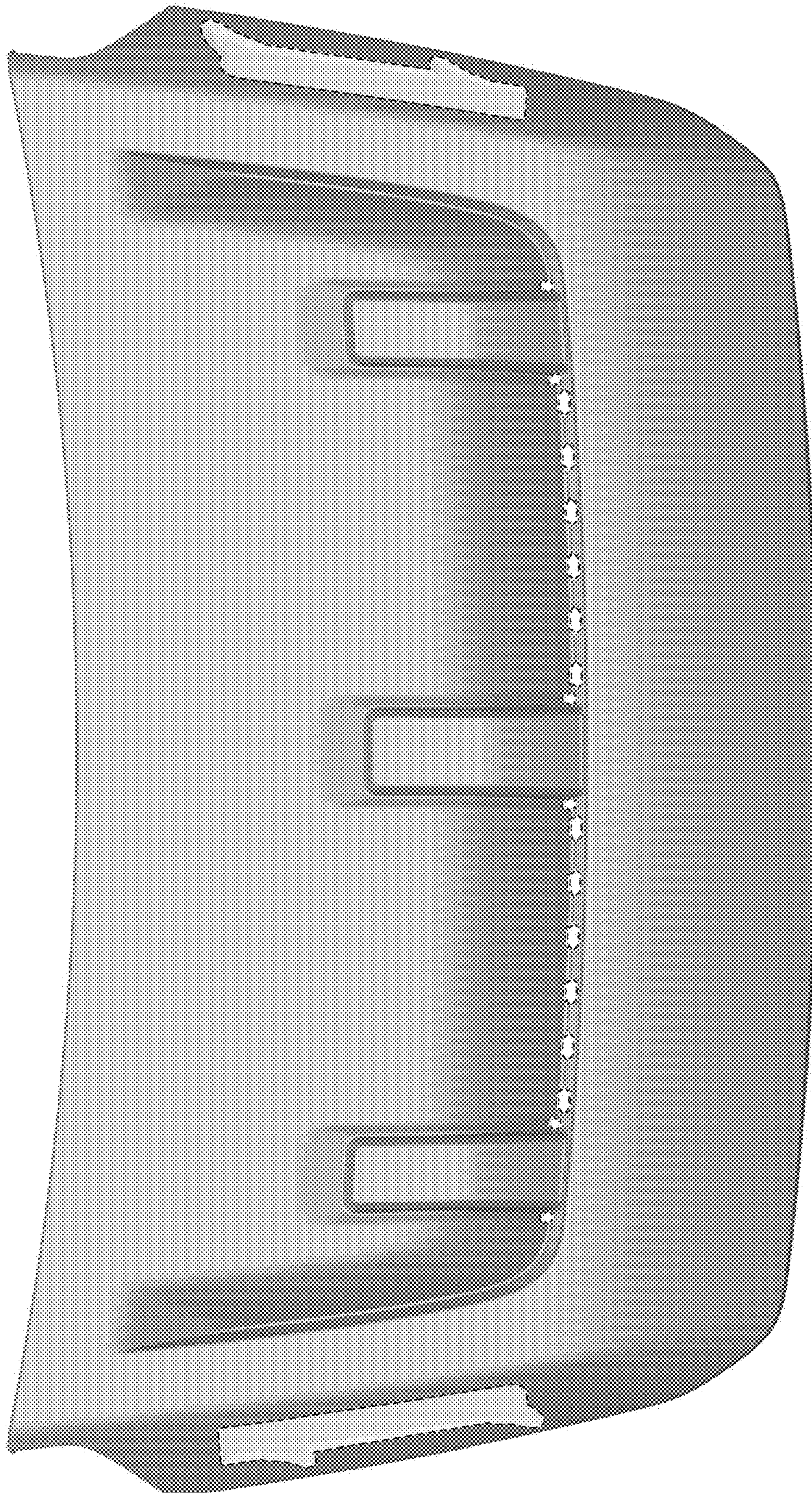


Fig.12

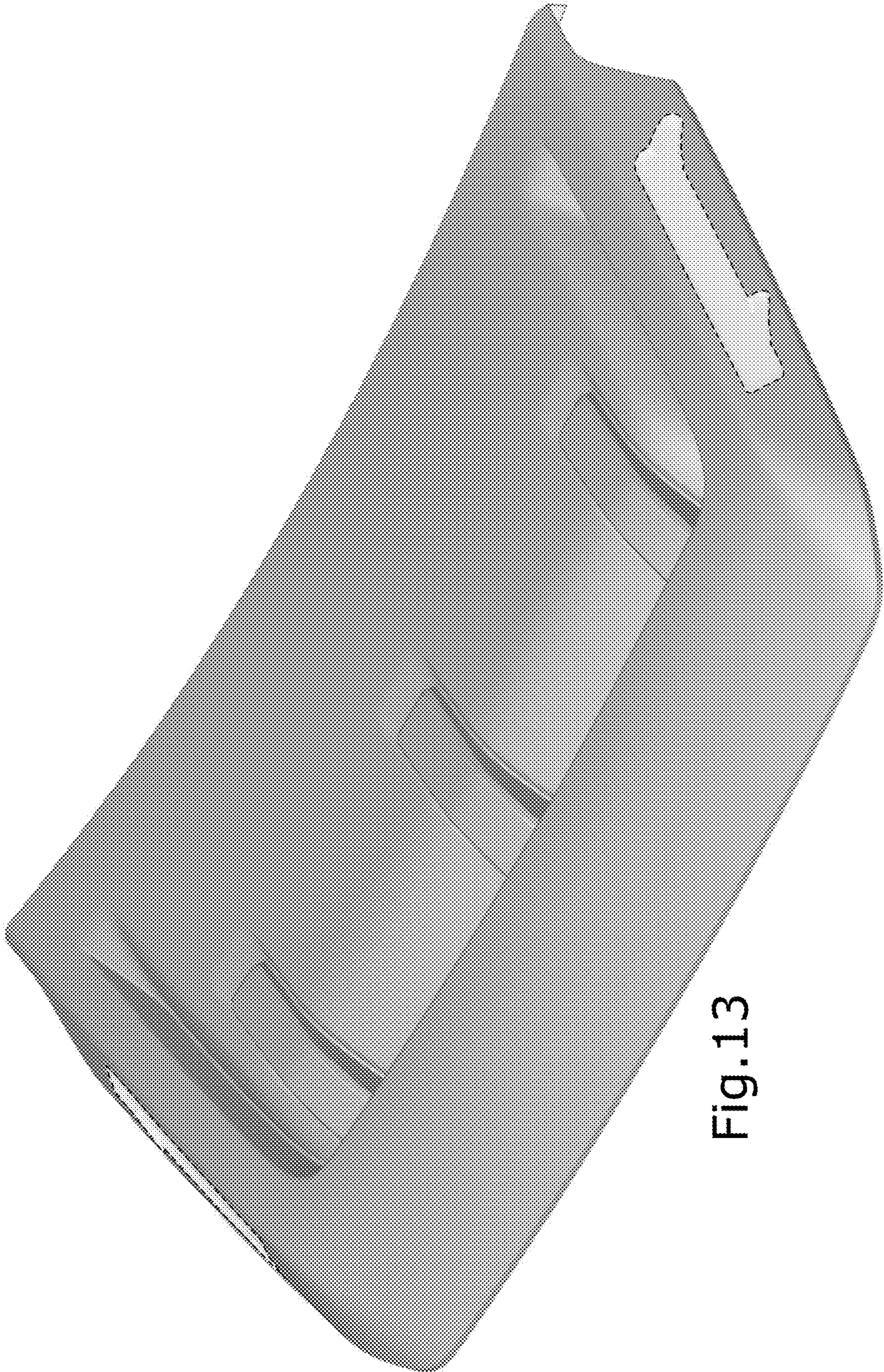


Fig. 13

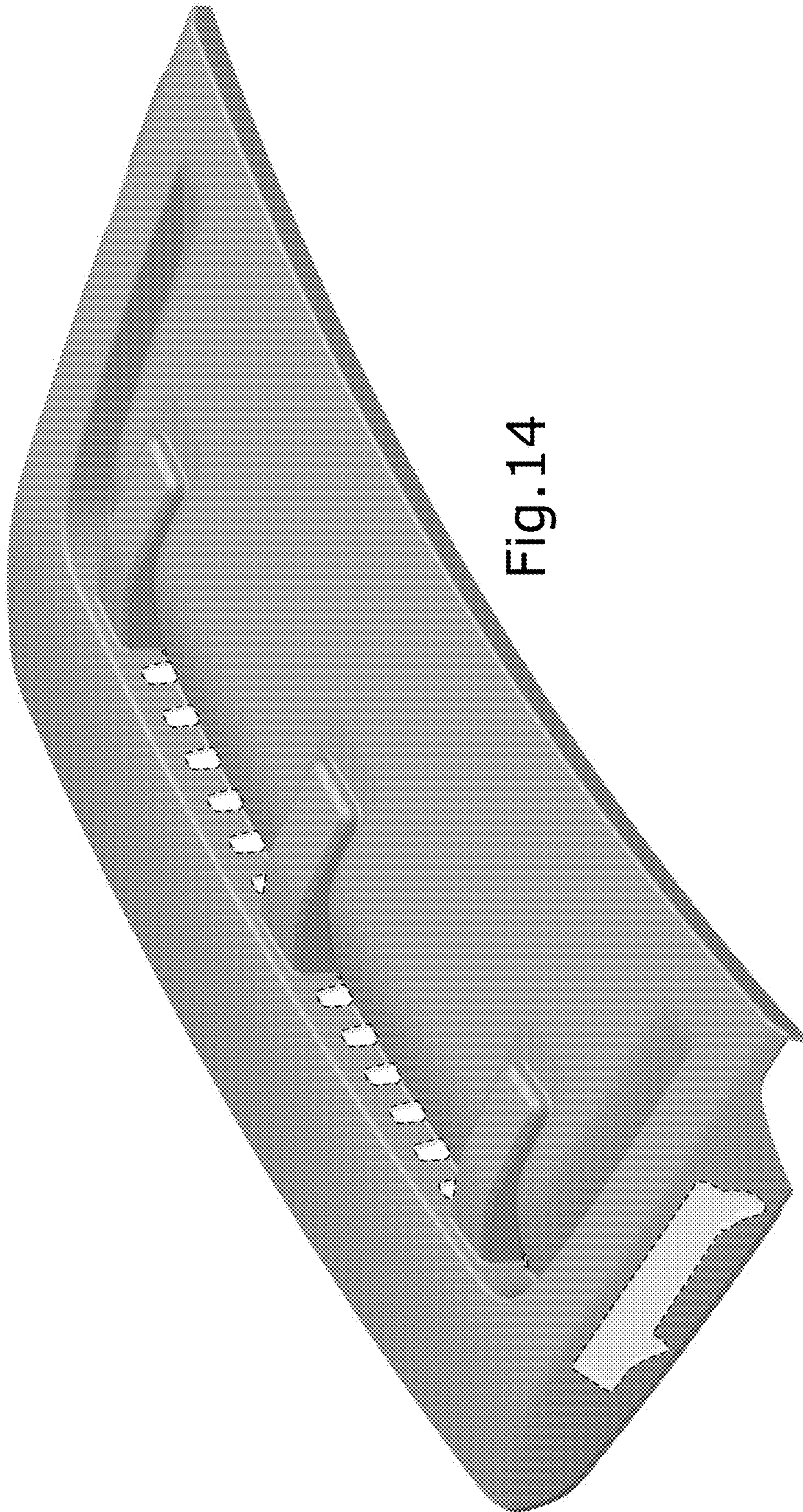


Fig. 14