



US00D955307S

(12) **United States Design Patent** (10) **Patent No.:** **US D955,307 S**  
**Kaoud et al.** (45) **Date of Patent:** **\*\* Jun. 21, 2022**

(54) **VEHICLE FENDER**  
(71) Applicant: **Ford Global Technologies, LLC**,  
Dearborn, MI (US)  
(72) Inventors: **Ehab N. Kaoud**, Livonia, MI (US);  
**Sean W. Tant**, Livonia, MI (US);  
**Jiacheng Liu**, Dearborn, MI (US)  
(73) Assignee: **Ford Global Technologie, LLC**,  
Dearborn, MI (US)  
(\*\*) Term: **15 Years**  
(21) Appl. No.: **29/762,574**  
(22) Filed: **Dec. 17, 2020**  
(51) **LOC (13) Cl.** ..... **12-16**  
(52) **U.S. Cl.**  
USPC ..... **D12/184**  
(58) **Field of Classification Search**  
USPC ..... D12/86, 88, 89, 90, 91, 92, 93, 96, 163,  
D12/164, 167, 169, 171, 172, 173, 190,  
D12/192, 196, 400; D21/533, 548, 552,  
D21/561  
CPC ..... B62D 25/02; B62D 25/04; B62D 25/16;  
B62D 25/18; B62D 25/161; B62D  
25/168; B62D 25/182; B62D 25/184;  
B60J 5/00; B60J 5/02; B60J 5/04; B60J  
5/10; B60R 13/04; B60R 13/0861; B60R  
19/00  
See application file for complete search history.

D818,406 S \* 5/2018 McMahan ..... D12/184  
D821,938 S \* 7/2018 Bucher ..... D12/169  
D828,256 S \* 9/2018 Zipfel ..... D12/184  
D855,520 S \* 8/2019 Parkinson ..... D12/184  
D874,365 S \* 2/2020 Woodhouse ..... D12/181  
D940,025 S \* 1/2022 Kaoud ..... D12/184

**FOREIGN PATENT DOCUMENTS**

WO WO-2021183930 A1 \* 9/2021 ..... B62D 25/08

**OTHER PUBLICATIONS**

2021 Ford F-150 Raptor, Published date unavailable [online],  
[retrieved on Feb. 24, 2022], Retrieved from the Internet: <https://www.caranddriver.com/ford/f-150-raptor-2021> (Year: 2022).\*

\* cited by examiner

*Primary Examiner* — Cary M Robinson  
*Assistant Examiner* — Adam C Mager  
(74) *Attorney, Agent, or Firm* — Michael Spenner

(57) **CLAIM**

The ornamental design for a vehicle fender, as shown and described.

**DESCRIPTION**

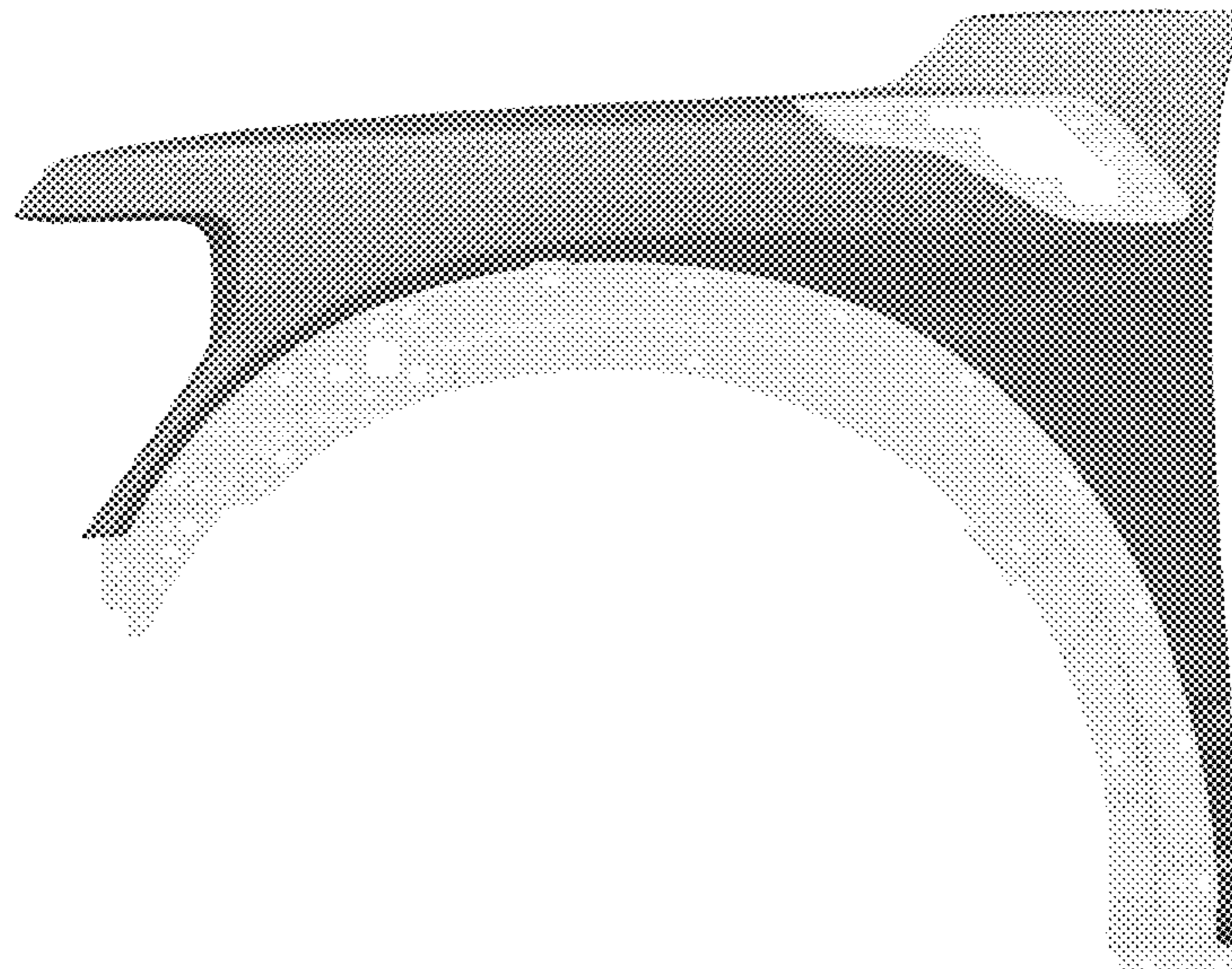
FIG. 1 is a front elevational view of a vehicle fender, showing our new design;  
FIG. 2 is a left side elevational view thereof;  
FIG. 3 is a right side elevational view thereof;  
FIG. 4 is a top plan view thereof;  
FIG. 5 is a bottom plan view thereof;  
FIG. 6 is a top, front and right side perspective view thereof; and,  
FIG. 7 is a top, rear and left side perspective view thereof. The claimed design is indicated by the relatively dark portions in the figures. The de-emphasized and relatively light portions form no part of the claimed design.

**1 Claim, 7 Drawing Sheets**

(56) **References Cited**

**U.S. PATENT DOCUMENTS**

D503,912 S \* 4/2005 Metros ..... D12/184  
D562,202 S \* 2/2008 Tant ..... D12/184  
D614,100 S \* 4/2010 Williams ..... D12/184  
D721,314 S \* 1/2015 Platto ..... D12/184  
D758,935 S \* 6/2016 Platto ..... D12/184  
D762,538 S \* 8/2016 Platto ..... D12/184



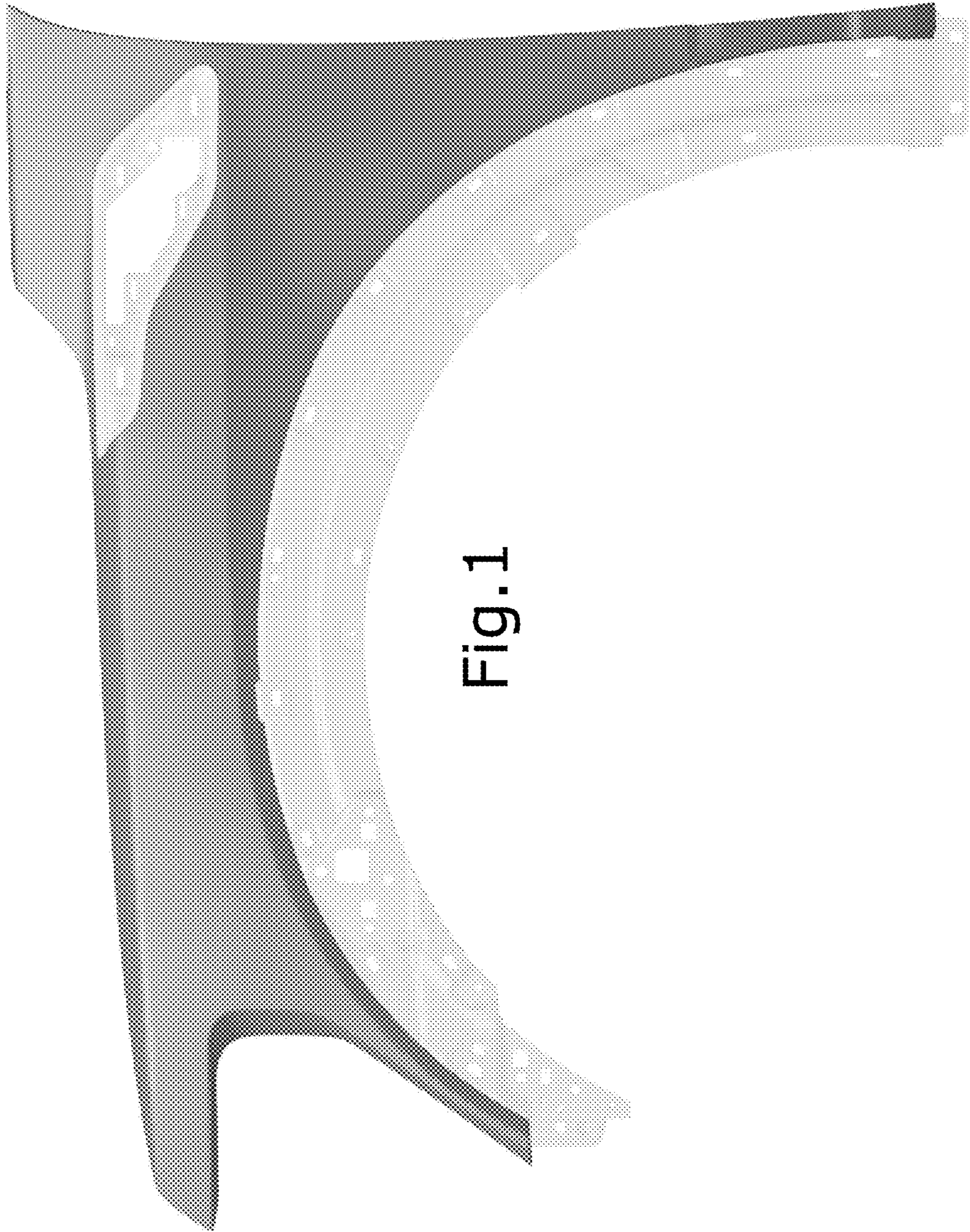


Fig. 1

Fig. 2



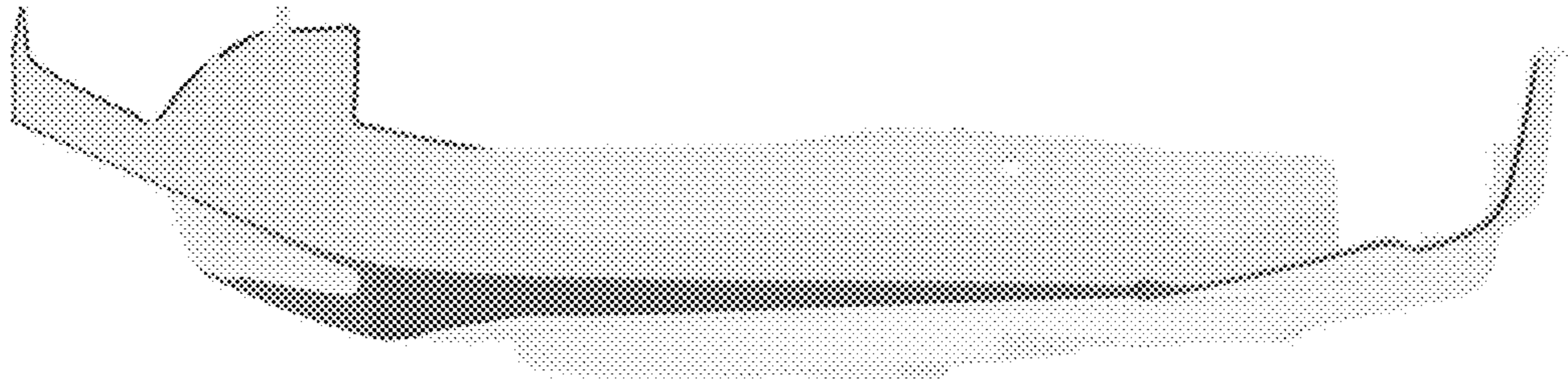


Fig. 3

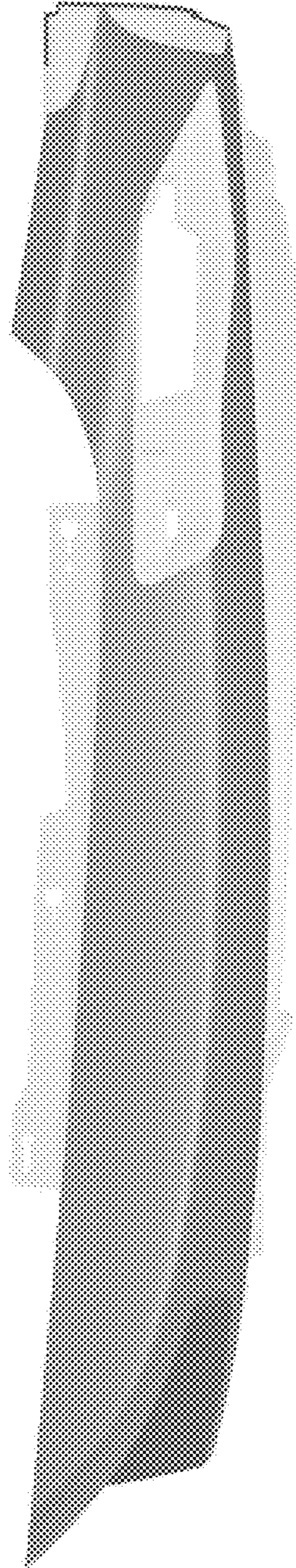


Fig.4

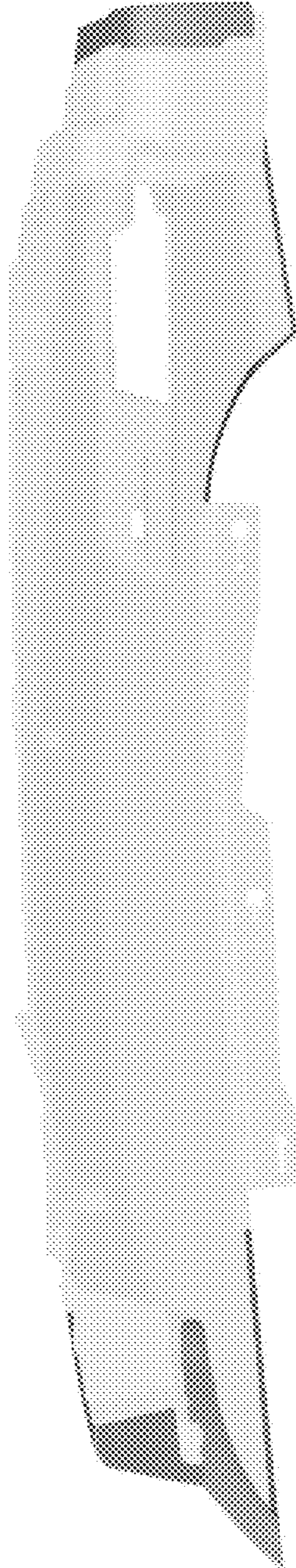


Fig. 5

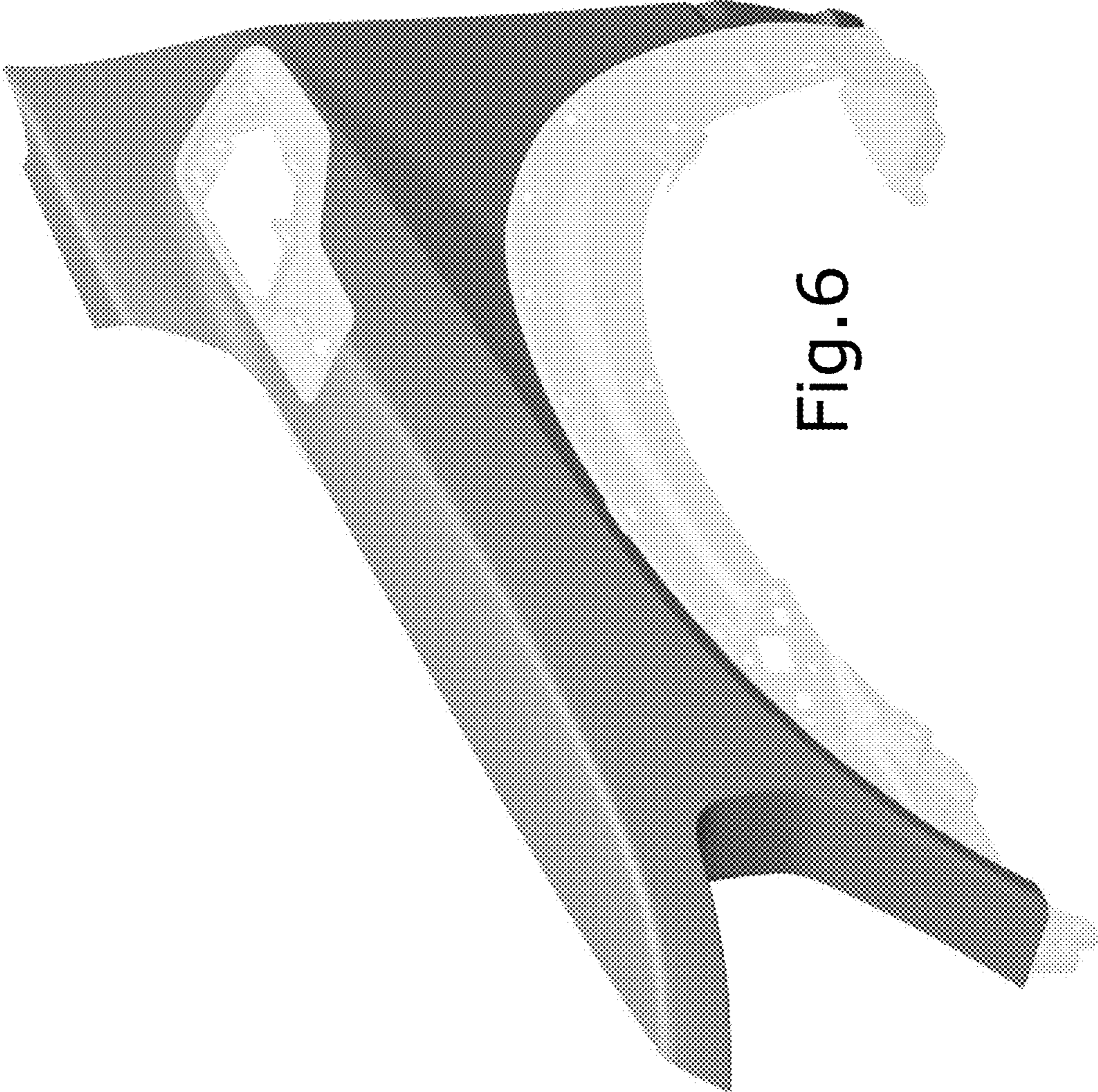


Fig. 6

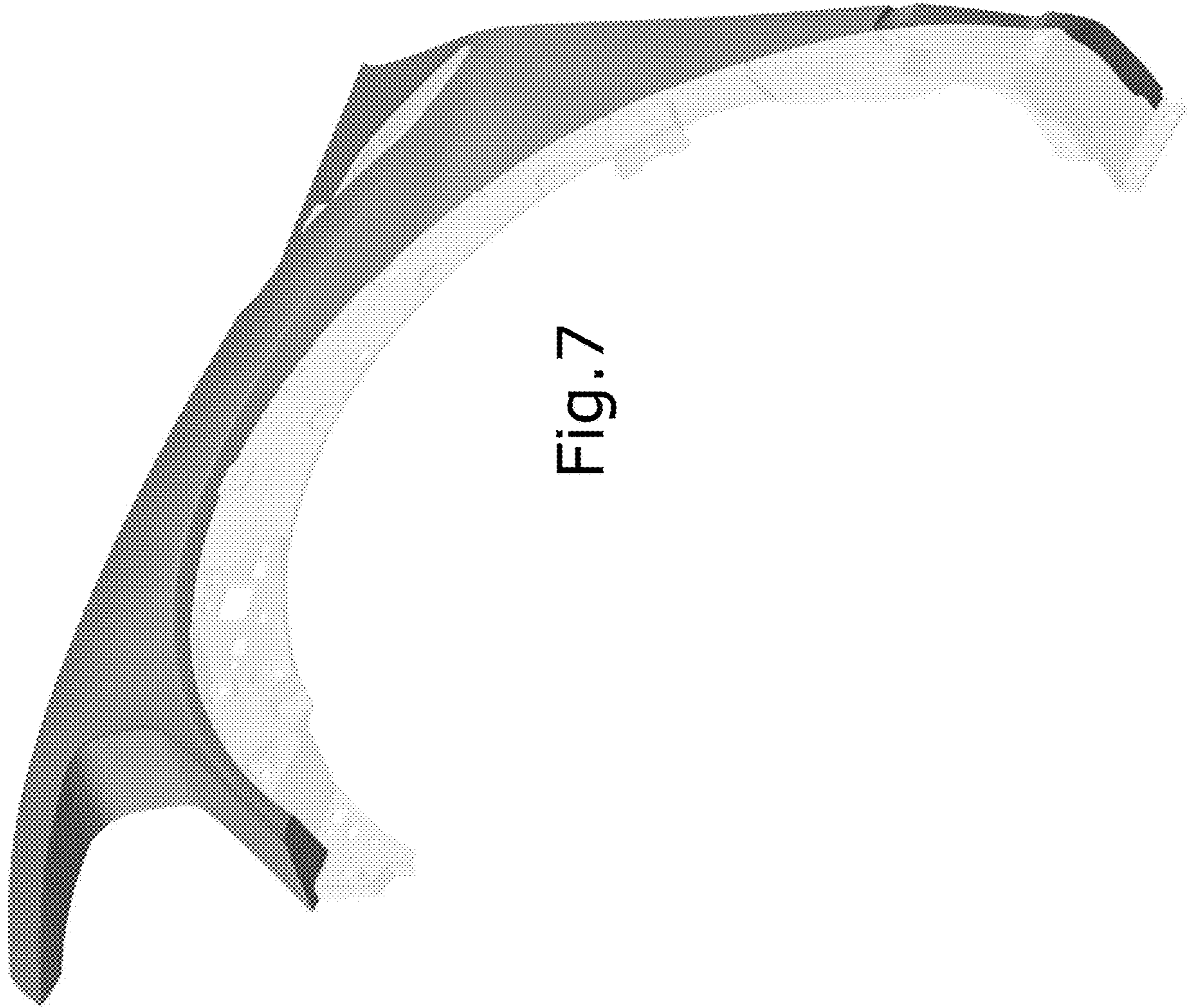


Fig. 7