



US00D955305S

(12) **United States Design Patent**
Lee et al.

(10) **Patent No.:** **US D955,305 S**
(45) **Date of Patent:** **** Jun. 21, 2022**

(54) **FRONT BUMPER FOR AN AUTOMOBILE**

(71) Applicant: **TOYOTA JIDOSHA KABUSHIKI KAISHA**, Toyota (JP)

(72) Inventors: **Shimin Lee**, Susono (JP); **ByungKang Cho**, Numazu (JP); **Shinno Kato**, Miyoshi (JP); **Hirotda Kobayashi**, Miyoshi (JP)

(73) Assignee: **TOYOTA JIDOSHA KABUSHIKI KAISHA**, Toyota (JP)

(**) Term: **15 Years**

(21) Appl. No.: **29/772,005**

(22) Filed: **Feb. 26, 2021**

(30) **Foreign Application Priority Data**

Sep. 1, 2020 (JP) 2020-018451 D

(51) **LOC (13) Cl.** **12-16**

(52) **U.S. Cl.**
USPC **D12/169**

(58) **Field of Classification Search**
USPC D12/169, 163, 196, 86, 90-92;
296/180.1, 180.2; 293/102, 113, 115,
293/117, 120

CPC B60R 19/52; B60R 2019/25; B62D 25/084
See application file for complete search history.

(56) **References Cited**

U.S. PATENT DOCUMENTS

D824,820 S *	8/2018	Nakamura	D12/169
D825,410 S *	8/2018	Nakamura	D12/169
D829,616 S *	10/2018	Fuchino	D12/169
D829,617 S *	10/2018	Takamatsu	D12/169
D829,618 S *	10/2018	Kamahara	D12/169
D830,250 S *	10/2018	Tomita	D12/169

D835,014 S *	12/2018	Ea	D12/169
D839,150 S *	1/2019	Roller	D12/169
D839,151 S *	1/2019	Cartabiano	D12/169
D856,220 S *	8/2019	Koyama	D12/169
D856,221 S *	8/2019	Sakaue	D12/169
D870,614 S *	12/2019	Ea	D12/170
D874,997 S *	2/2020	Campbell	D12/169
D886,692 S *	6/2020	Yokoi	D12/169
D906,907 S *	1/2021	Yagi	D12/169
D918,104 S *	5/2021	Ito	D12/169
D918,795 S *	5/2021	Kato	D12/169
D918,799 S *	5/2021	Fukunaga	D12/169
D918,800 S *	5/2021	Nagasaka	D12/169
D939,402 S *	12/2021	Kushima	D12/169
D939,403 S *	12/2021	Matsumoto	D12/169

(Continued)

OTHER PUBLICATIONS

netcarshow.com, Toyota C-HR (2020), <<https://www.netcarshow.com/toyota/2020-c-hr/>>, available as early as Jan. 22, 2020.

(Continued)

Primary Examiner — Melody N Brown

(74) *Attorney, Agent, or Firm* — Saidman DesignLaw Group, LLC

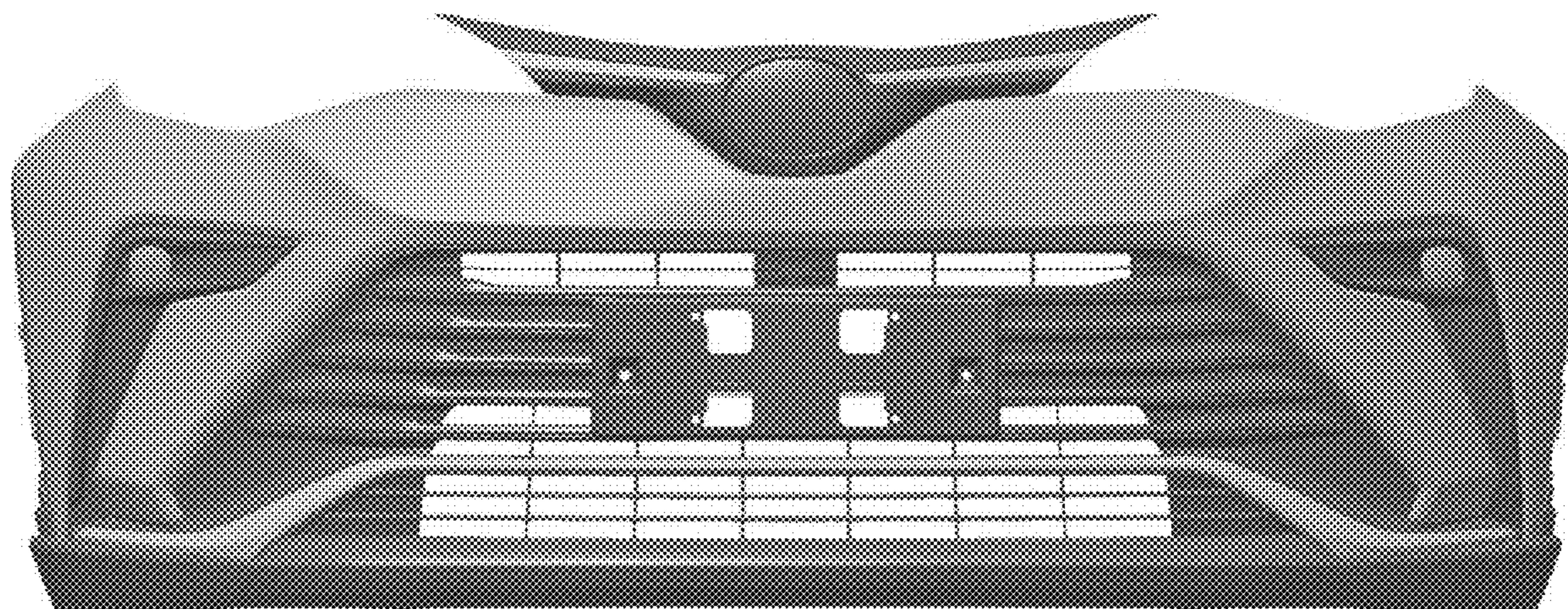
(57) **CLAIM**

The ornamental design for a front bumper for an automobile, as shown and described.

DESCRIPTION

FIG. 1 is a perspective view of a front bumper for an automobile showing our new design; FIG. 2 is a front view thereof; FIG. 3 is a rear view thereof; FIG. 4 is a right side view thereof; FIG. 5 is a left side view thereof; FIG. 6 is a top view thereof; and, FIG. 7 is a bottom view thereof.

1 Claim, 7 Drawing Sheets



(56)

References Cited

U.S. PATENT DOCUMENTS

D939,404 S * 12/2021 Takeda D12/169
D939,405 S * 12/2021 Kobayashi D12/169

OTHER PUBLICATIONS

auto.qq.com, Dongnan DX3 (2016), <https://auto.qq.com/a/20161116/013946_all.htm>, available as early as Jan. 22, 2020.

* cited by examiner

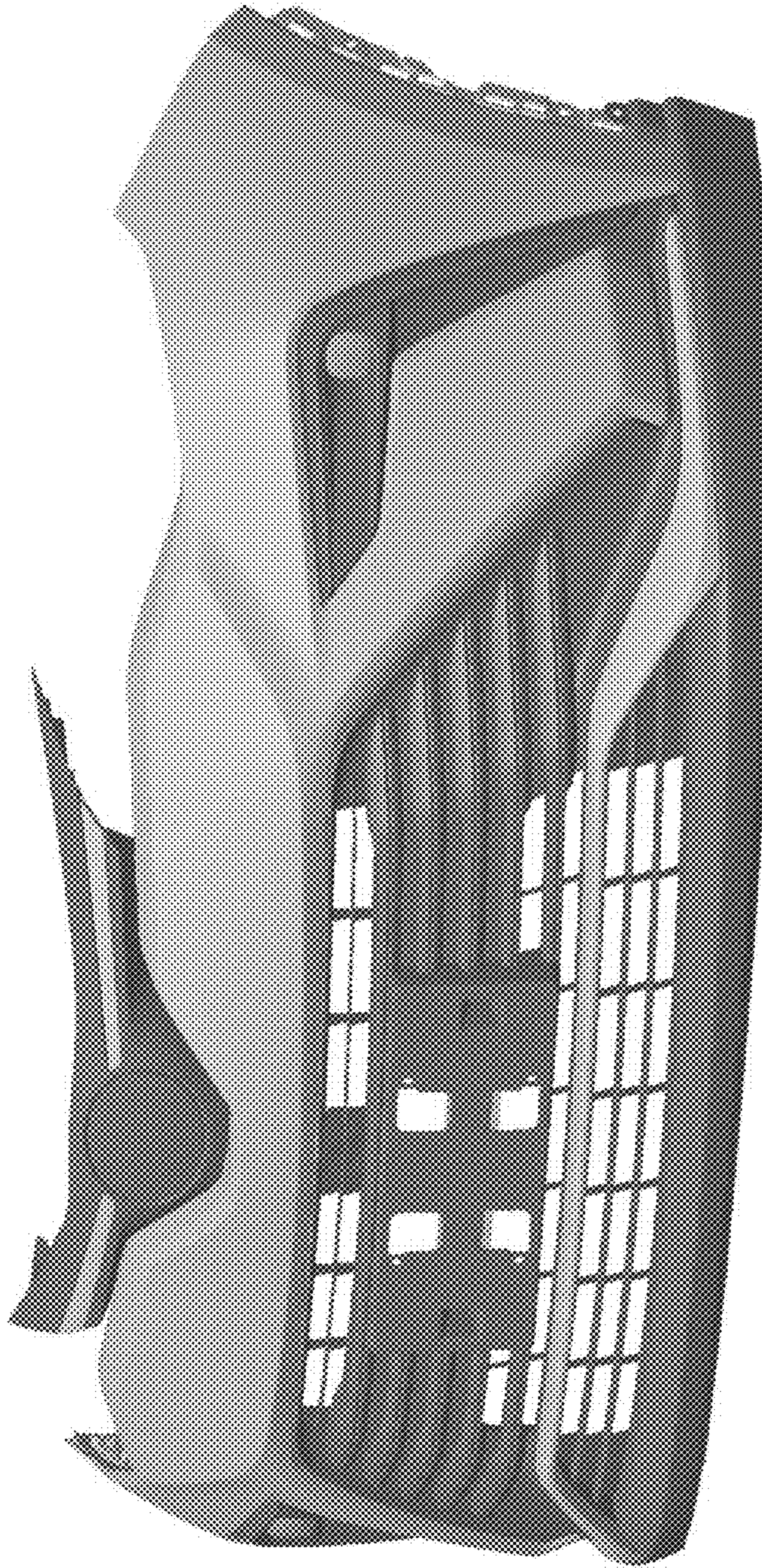


FIG. 1

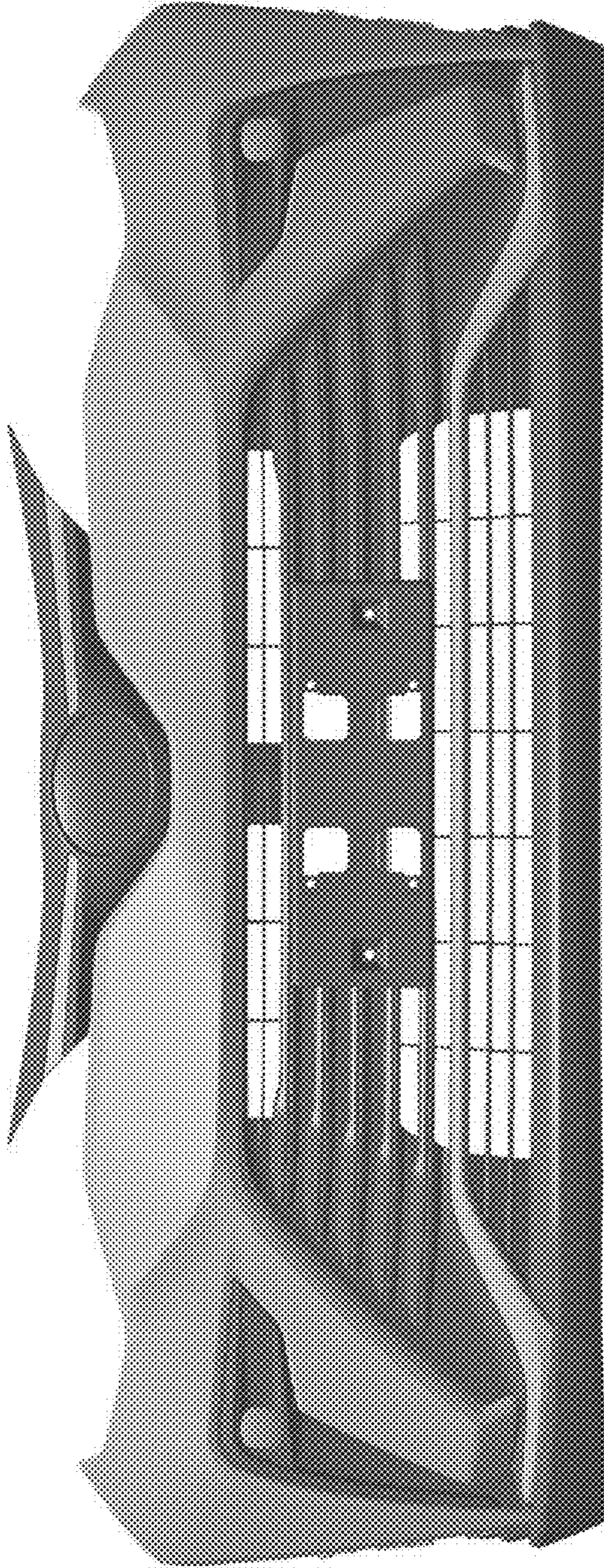


FIG. 2

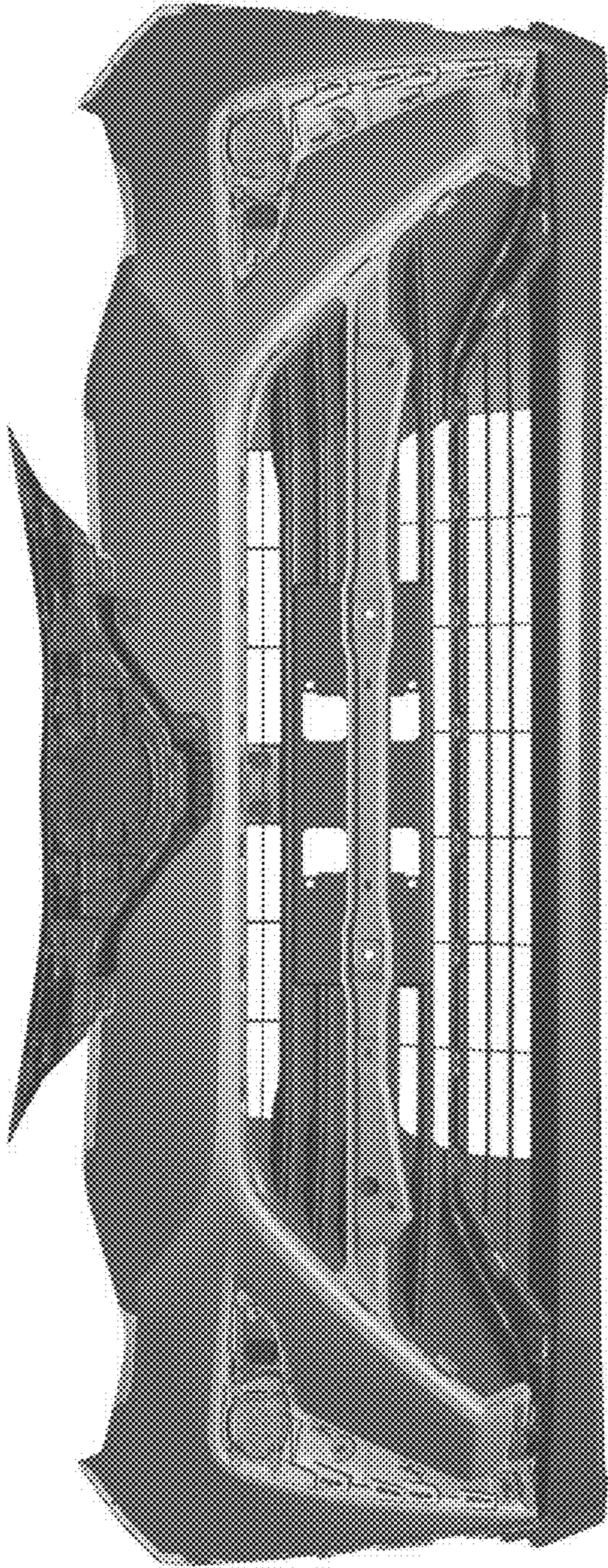


FIG. 3

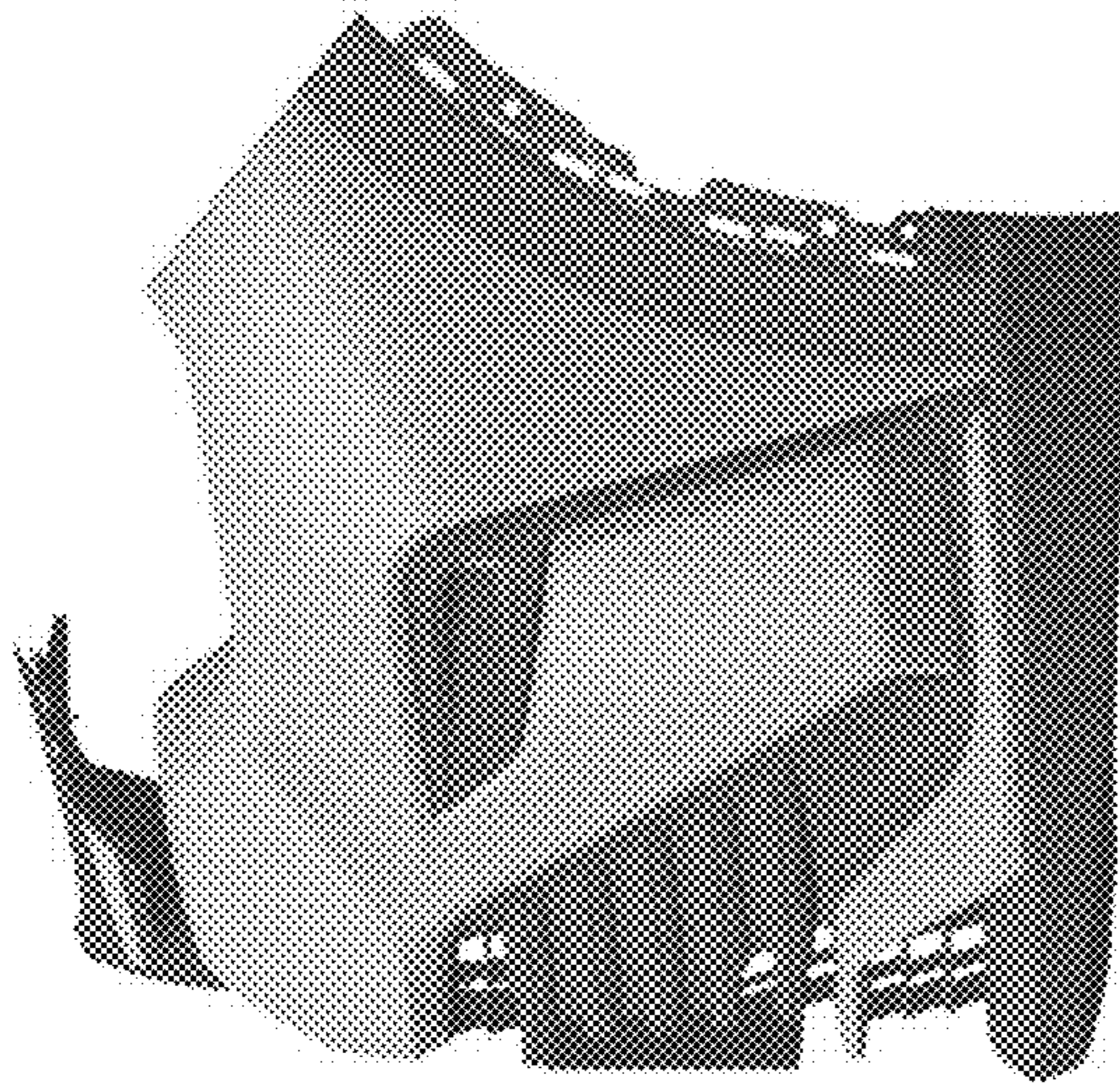


FIG. 4

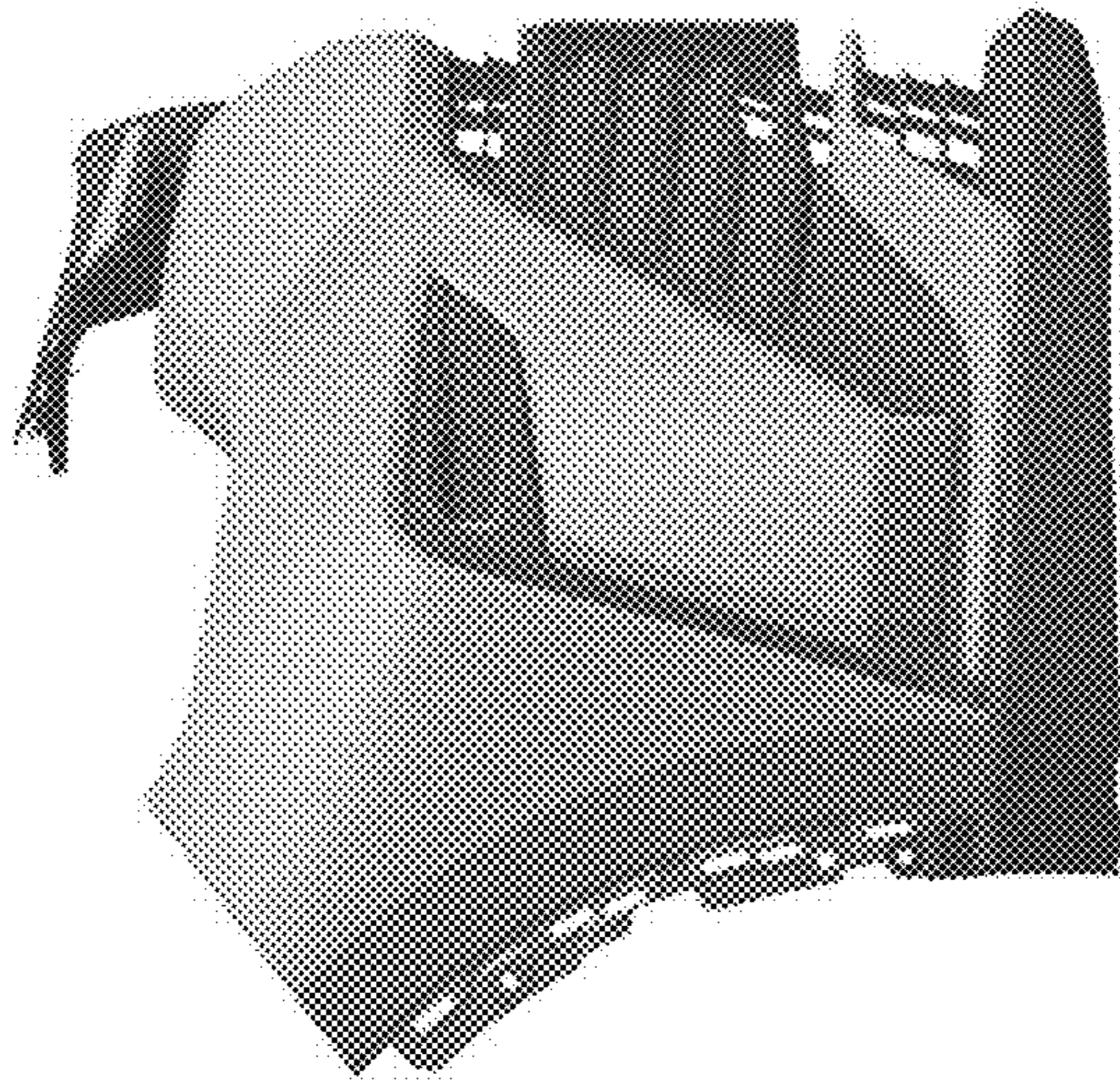


FIG. 5

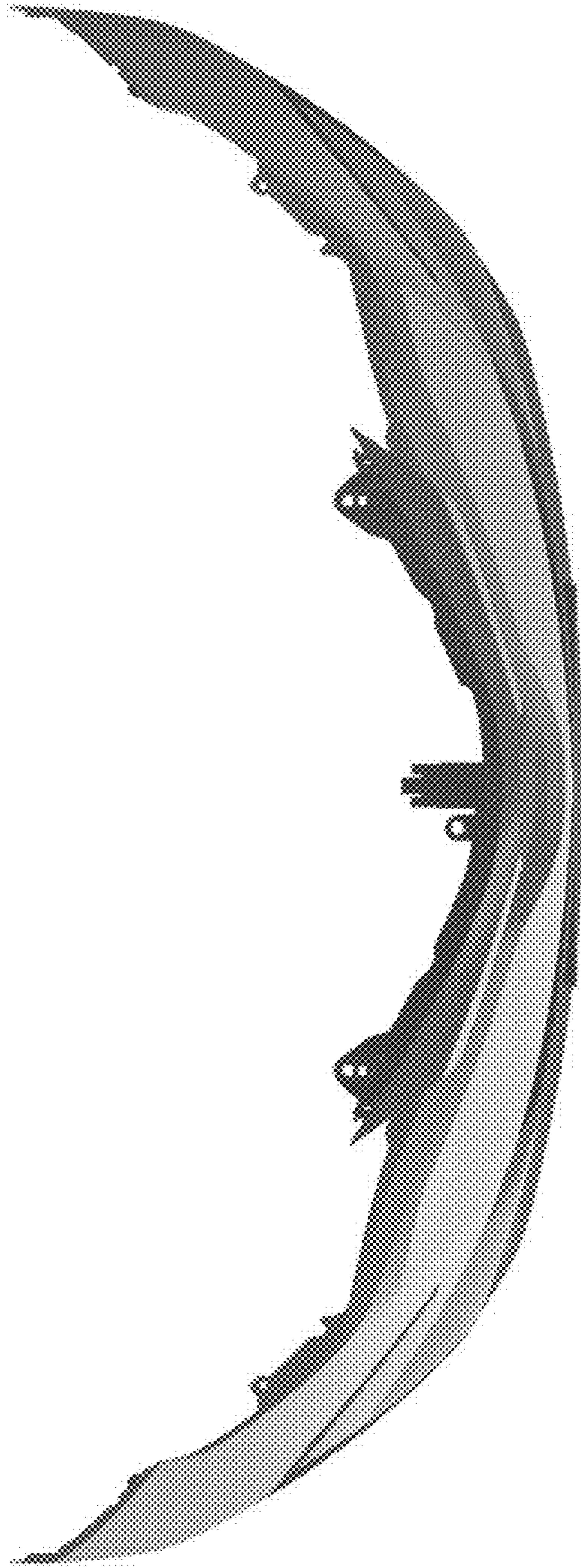


FIG. 6

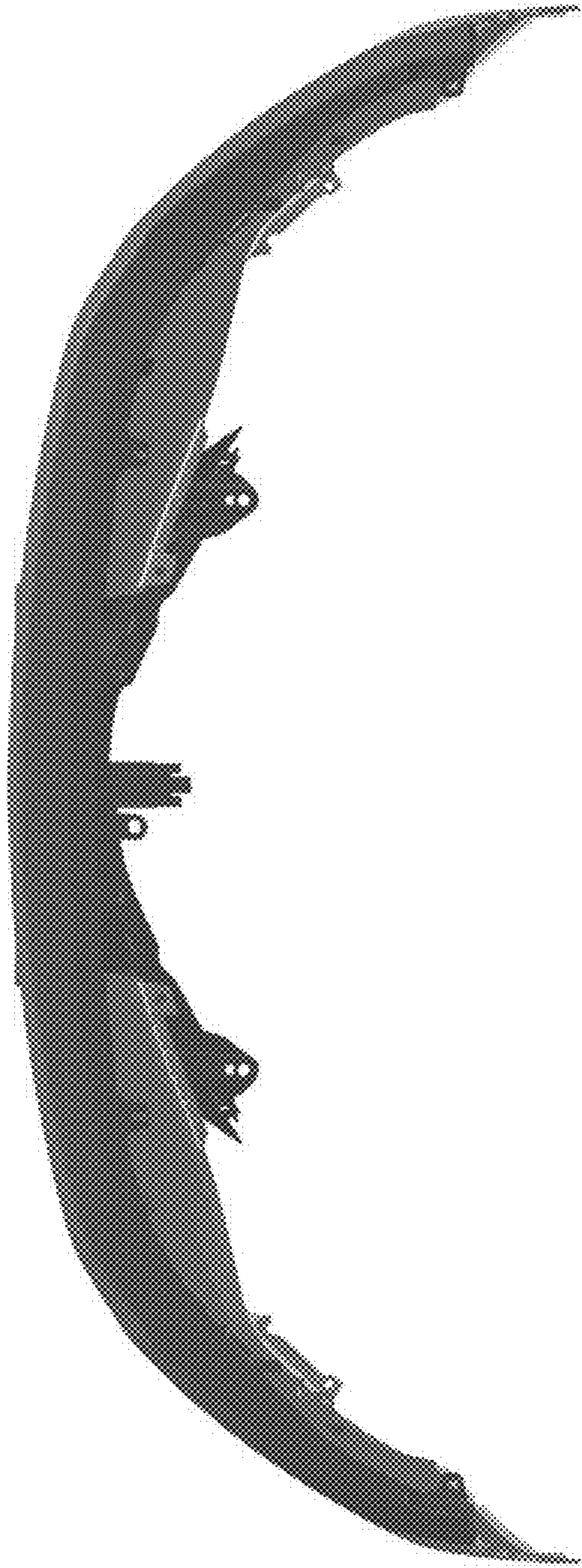


FIG. 7