



US00D955299S

(12) **United States Design Patent**
DeGrazia

(10) **Patent No.:** **US D955,299 S**
(45) **Date of Patent:** **** Jun. 21, 2022**

(54) **FLEXIBLE COLLAPSIBLE HANDLE COVER**

(71) Applicant: **iGrip Technologies, Inc.**, Huntington, NY (US)

(72) Inventor: **Michael V. DeGrazia**, Huntington, NY (US)

(73) Assignee: **iGrip Technologies, Inc.**, Huntington, NY (US)

(**) Term: **15 Years**

(21) Appl. No.: **29/786,520**

(22) Filed: **Jun. 1, 2021**

Related U.S. Application Data

(63) Continuation of application No. 17/088,544, filed on Nov. 3, 2020, now Pat. No. 11,021,182.

(51) **LOC (13) Cl.** **12-11**

(52) **U.S. Cl.**
USPC **D12/114**

(58) **Field of Classification Search**
USPC D12/114, 177, 178; D8/300, 303, 322;
D34/27; D21/754; D4/138
CPC B62B 5/069; B62B 5/06; B62B 3/144;
B62B 3/1416; B25G 1/10
See application file for complete search history.

(56) **References Cited**

U.S. PATENT DOCUMENTS

2,803,849 A 8/1957 Peters
3,866,649 A * 2/1975 Bringmann B62B 3/144
16/422
4,360,493 A 11/1982 Kramer, Sr.
4,805,937 A 2/1989 Boucher
4,937,429 A * 6/1990 Hollander B62D 1/065
219/202
D328,812 S * 8/1992 Pritchett D34/27
5,209,372 A 5/1993 Norwood

5,215,319 A * 6/1993 Farris B62B 5/06
280/33.992
D351,577 S * 10/1994 Dietz 74/551.9
5,427,392 A 6/1995 Duer
5,429,377 A 7/1995 Duer
D370,110 S * 5/1996 Beam B62B 5/069
D34/27

(Continued)

FOREIGN PATENT DOCUMENTS

GB 2501543 A 10/2013

OTHER PUBLICATIONS

SaniGrip: Antimicrobial Shopping Cart Handle Cover; Jun. 19, 2021; <https://www.kickstarter.com/projects/117192077/sanigrip-a-sanitary-solution-for-shopping-cart-handles/community?lang=es>; 3Pgs. (Year: 2021).*

(Continued)

Primary Examiner — Michelle E. Wilson

Assistant Examiner — Clese Moore, Jr.

(74) *Attorney, Agent, or Firm* — Doster Greene, LLC

(57) **CLAIM**

The ornamental design for a flexible collapsible handle cover, as shown and described.

DESCRIPTION

FIG. 1 is a top, front, right side perspective view of a flexible collapsible handle cover showing my new design in an extended position;

FIG. 2 is a side view thereof, with the opposite side being a mirror image thereto;

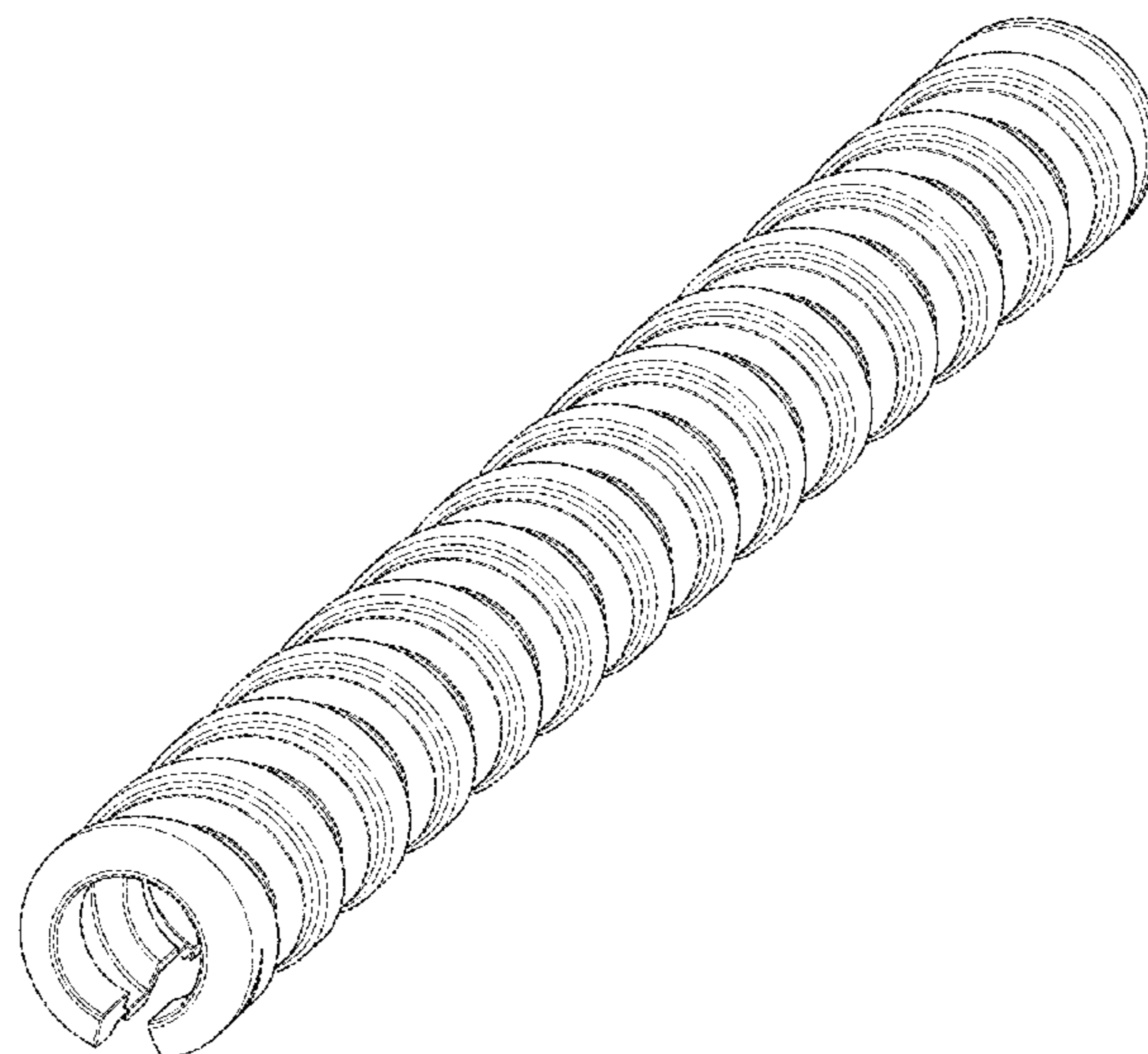
FIG. 3 is a front view thereof;

FIG. 4 is a rear view thereof;

FIG. 5 is a perspective view of the handle cover in a collapsed position; and,

FIG. 6 is a cross-section view of the handle cover taken along the line 6-6 shown in FIG. 5.

1 Claim, 5 Drawing Sheets



(56)

References Cited

U.S. PATENT DOCUMENTS

5,722,672 A 3/1998 Frederick
 5,820,142 A * 10/1998 Duer B62B 5/069
 280/33.992
 5,953,790 A 9/1999 Auxier
 6,065,764 A * 5/2000 Moseley B62B 5/06
 150/154
 D445,301 S * 7/2001 Levie D7/395
 D448,646 S * 10/2001 Sargentelli D8/303
 D453,292 S * 2/2002 Tsuzuki D8/300
 6,543,794 B1 4/2003 Tyree
 6,604,789 B1 * 8/2003 Downing A47C 27/00
 297/227
 6,817,066 B1 11/2004 Williams
 6,869,085 B2 3/2005 Pettigrew
 6,904,615 B2 6/2005 Kobe
 D521,207 S * 5/2006 Anderson B62B 5/069
 D34/27
 7,222,817 B2 5/2007 Stringer
 D580,658 S * 11/2008 Berti D4/138
 7,914,466 B2 3/2011 Davis
 D635,733 S * 4/2011 Willig B62B 5/069
 D34/27
 8,714,215 B2 5/2014 Badgley
 D735,825 S * 8/2015 Lamkin D21/756
 D774,855 S * 12/2016 Papafagos D8/14
 D779,688 S * 2/2017 Gourley D25/199
 D783,315 S * 4/2017 Gourley D6/611
 D813,487 S * 3/2018 Eskridge D34/27
 D817,894 S * 5/2018 Ganske D13/154
 9,969,521 B2 5/2018 Shen

D829,920 S * 10/2018 Carpinelli D24/211
 10,166,158 B2 1/2019 Trinder
 D860,729 S 9/2019 Shen
 10,422,158 B2 9/2019 Strombeck
 D873,645 S * 1/2020 Seline D8/303
 D899,888 S * 10/2020 Xu D8/303
 11,021,182 B1 6/2021 DeGrazia
 2002/0092132 A1 7/2002 Kessler
 2003/0155727 A1 8/2003 Pettigrew et al.
 2004/0021279 A1 2/2004 Sobo
 2007/0126193 A1 * 6/2007 Hess B62B 5/06
 280/33.992
 2007/0245850 A1 10/2007 Ramali
 2007/0267828 A1 11/2007 Egizi
 2008/0191435 A1 8/2008 Guercia
 2008/0303230 A1 * 12/2008 Somberg B62B 5/06
 280/33.992
 2011/0226801 A1 9/2011 Smith-Heskel
 2012/0148783 A1 6/2012 Kunkleman
 2012/0240307 A1 9/2012 Terrell
 2014/0130929 A1 5/2014 Elliott
 2016/0288812 A1 10/2016 Bailey
 2016/0297461 A1 10/2016 Barr-Perea
 2020/0385613 A1 12/2020 Hackemeyer

OTHER PUBLICATIONS

Systec POS-Technology Inc., "ClipOn XT," 2020, 3 pages, <https://www.systec.com/us/products/advertising-handles/clipon-xt> and https://www.systec.com/us.systec.com/downloads/cliponxt_us.pdf.
 Kleenwraps, <https://www.kleenwraps.com/>, 8 pages.

* cited by examiner

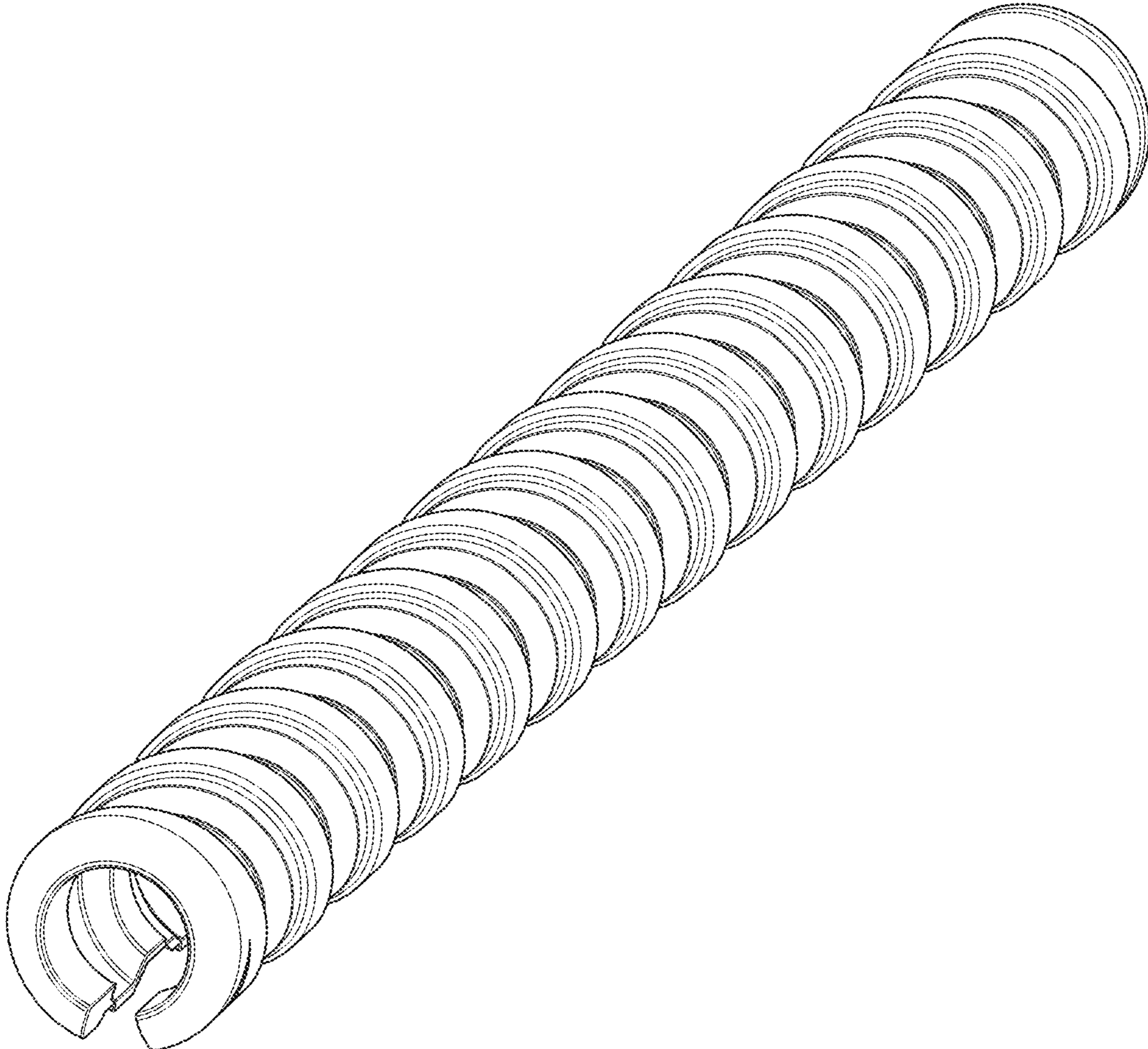


FIG. 1

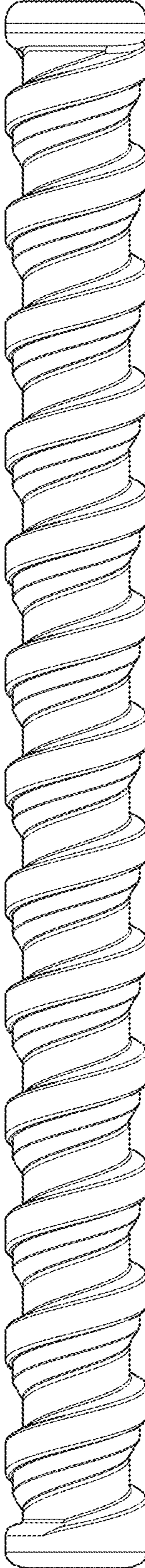


FIG. 2

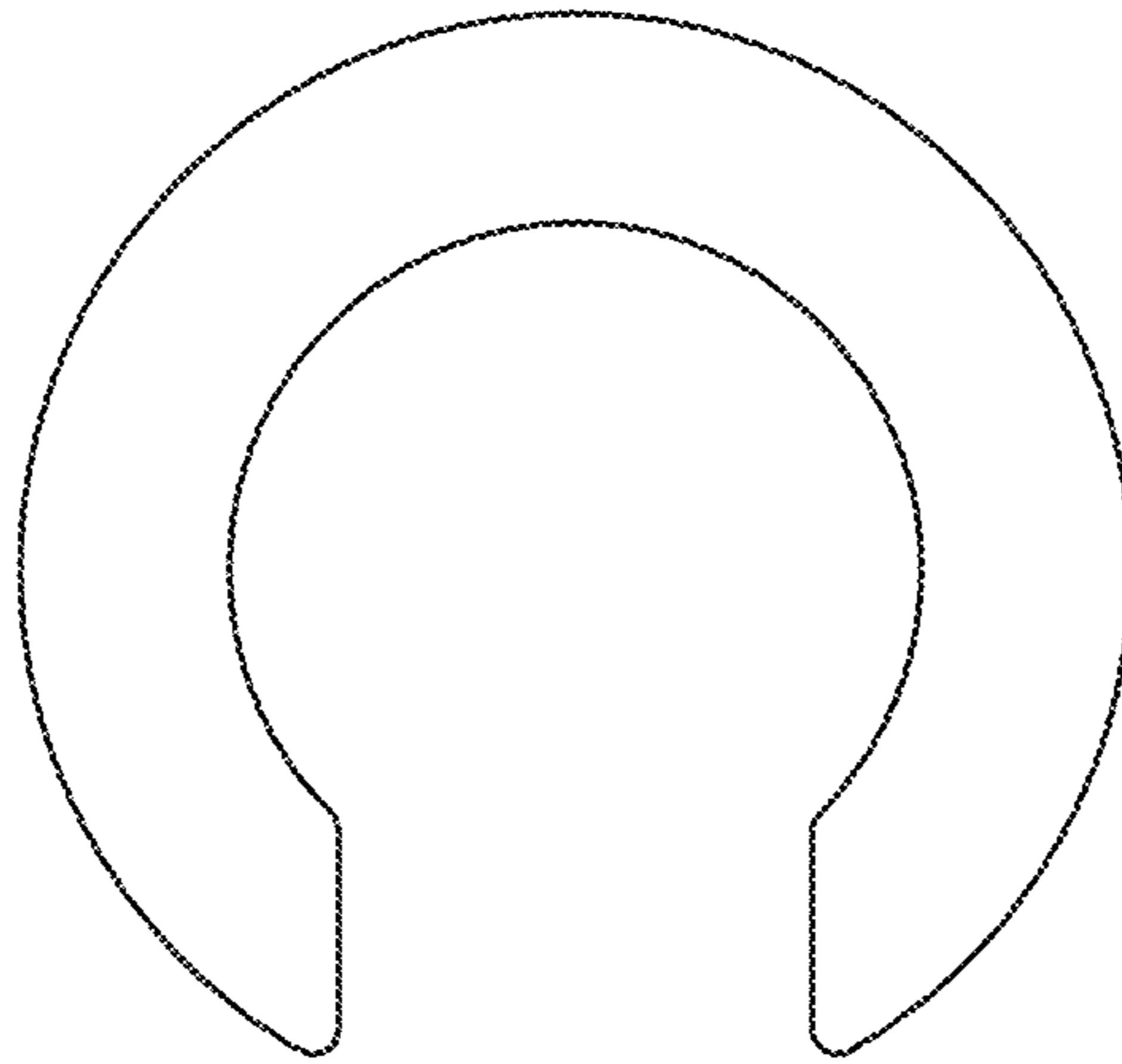


FIG. 3

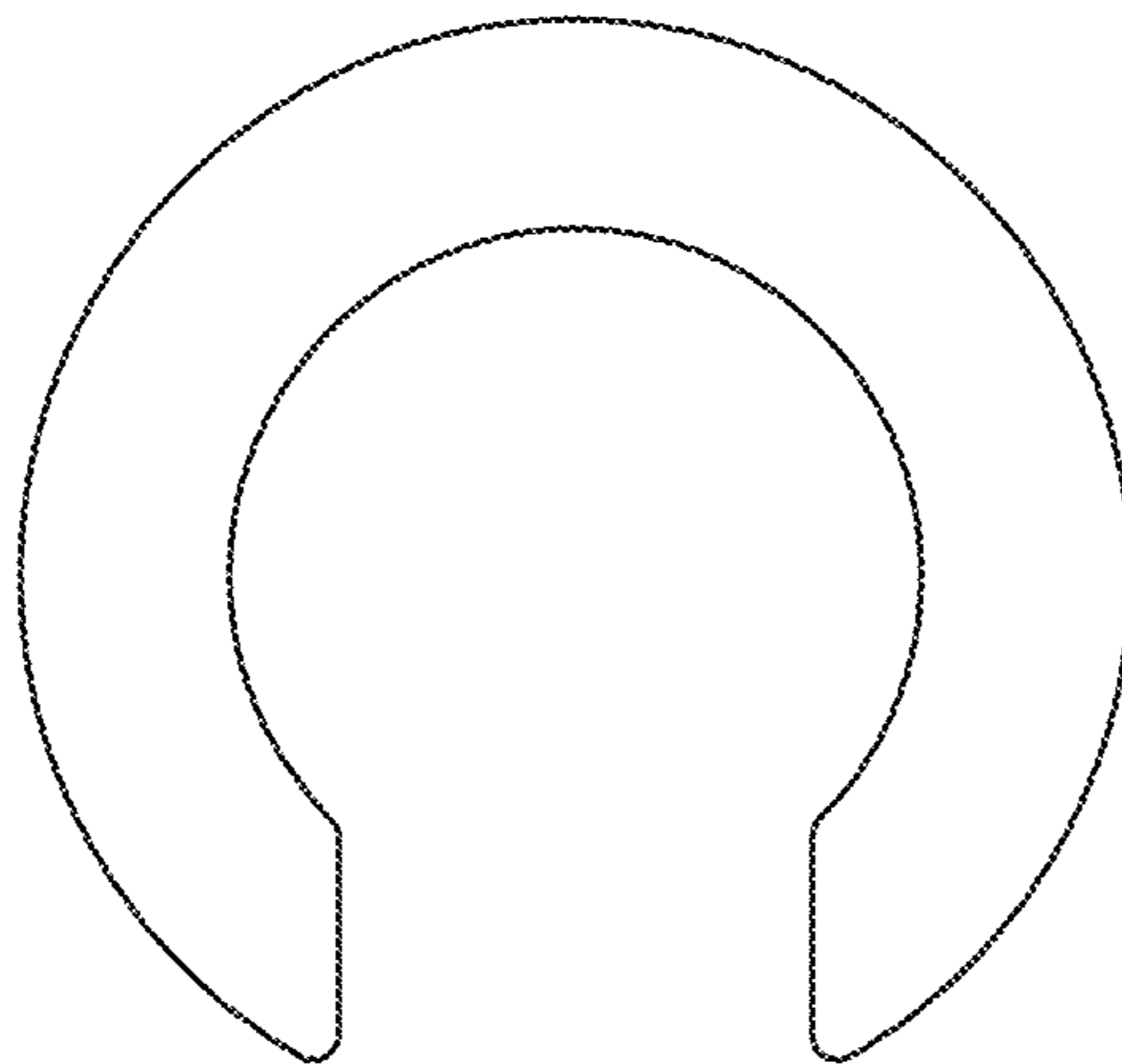


FIG. 4

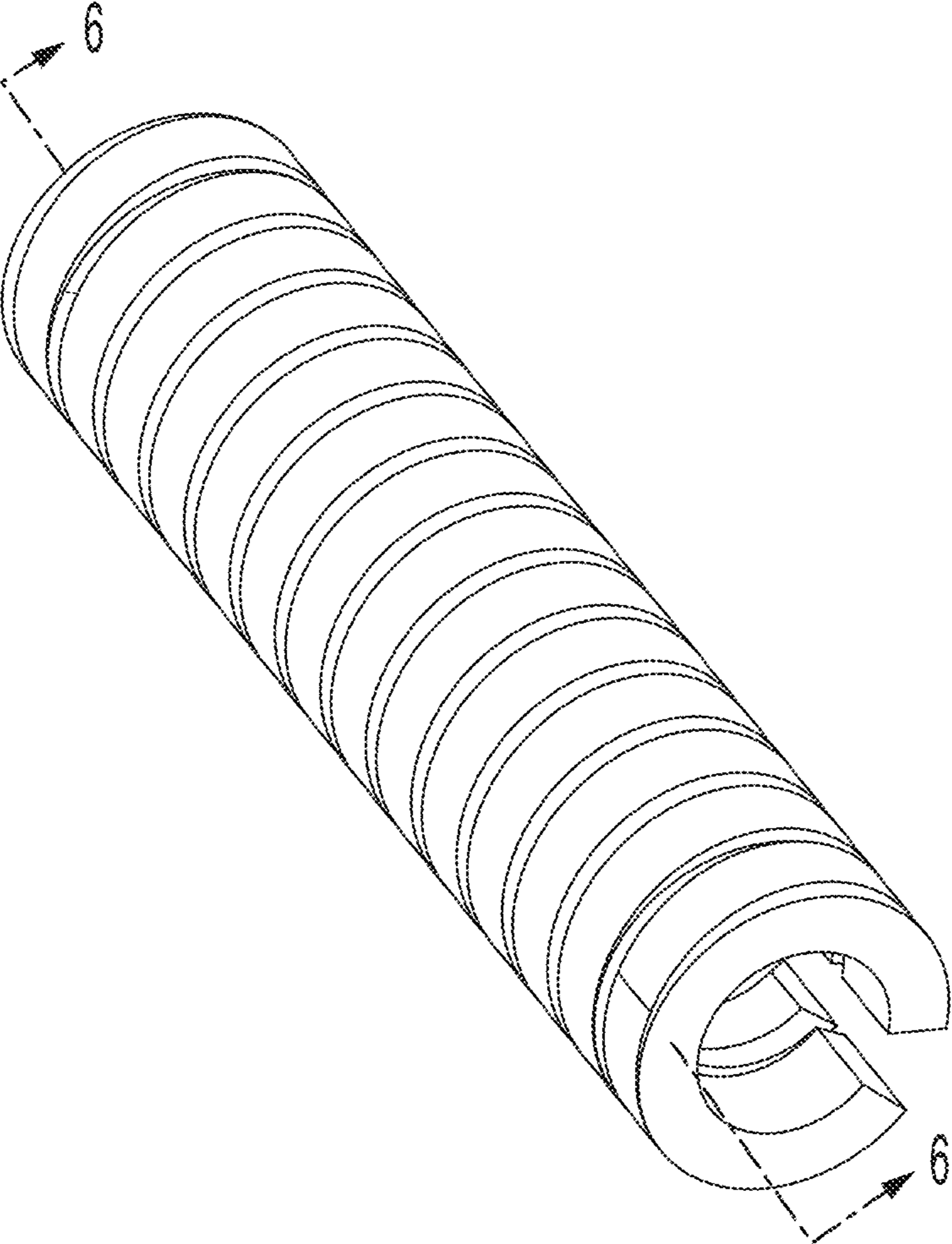


FIG. 5

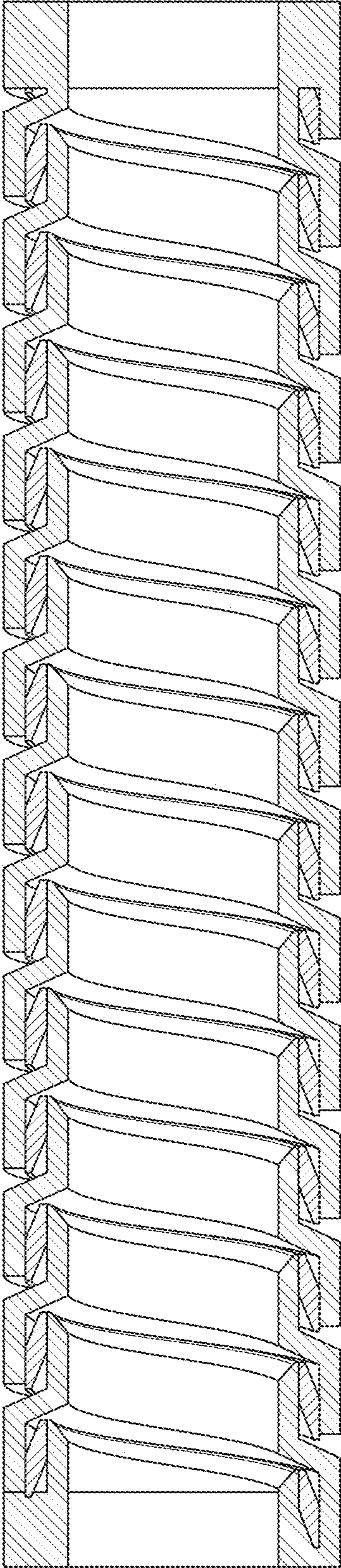


FIG. 6