



US00D955298S

(12) **United States Design Patent**  
**Gu**

(10) **Patent No.:** **US D955,298 S**  
(45) **Date of Patent:** **\*\* Jun. 21, 2022**

(54) **MOTORCYCLE**  
(71) Applicant: **Hangzhou amoto Intelligent Technology Co., Ltd., Hangzhou (CN)**  
(72) Inventor: **Luxia Gu, Hangzhou (CN)**  
(\*\*) Term: **15 Years**  
(21) Appl. No.: **29/771,949**  
(22) Filed: **Feb. 26, 2021**  
(51) **LOC (13) Cl.** ..... **12-11**  
(52) **U.S. Cl.**  
USPC ..... **D12/110**  
(58) **Field of Classification Search**  
USPC ..... D12/110, 111, 117; D21/432, 538  
CPC ..... B62K 11/00; B62K 11/02; B62K 11/04;  
B62K 11/10; B62K 17/00; B62K 19/00;  
B62K 2202/00  
See application file for complete search history.

D612,770 S \* 3/2010 Chen ..... D12/110  
D622,637 S \* 8/2010 Schneider ..... D12/110  
D637,523 S \* 5/2011 Sugimoto ..... D12/110  
D642,497 S \* 8/2011 Lin ..... D12/110  
D657,722 S \* 4/2012 Lambri ..... D12/110  
D664,898 S \* 8/2012 Van Hooydonk ..... D12/110  
D673,882 S \* 1/2013 Tartarini ..... D12/110  
D680,911 S \* 4/2013 Wu ..... D12/110  
D694,154 S \* 11/2013 Arru ..... D12/110  
D723,430 S \* 3/2015 Schmidt ..... D12/110  
D761,699 S \* 7/2016 Watanabe ..... D12/110  
9,493,207 B2\* 11/2016 Kawai ..... B62K 25/286

(Continued)

**OTHER PUBLICATIONS**

“A1 Amoto New Model new design EEC citycoco 2000w 3000w 60v20ah/30ah Fat Tire electric scooters coc.” Hyundai Brochure., Jun. 7, 2021 [online]. [retrieved on Apr. 7, 2022]. Retrieved from the Internet <URL: <http://china.org.ru/product/1600195760778>>.\*

(Continued)

*Primary Examiner* — Darlington Ly

(56) **References Cited**  
U.S. PATENT DOCUMENTS

4,715,465 A \* 12/1987 Takahashi ..... B62J 17/10  
180/219  
4,800,980 A \* 1/1989 Hideo ..... B62M 7/08  
296/37.16  
D310,053 S \* 8/1990 Kishi ..... D12/110  
4,964,483 A \* 10/1990 Yokoyama ..... B62J 35/00  
280/833  
D383,096 S \* 9/1997 Abe ..... D12/110  
D444,103 S \* 6/2001 Robb ..... D12/110  
D497,573 S \* 10/2004 James ..... D12/110  
D516,468 S \* 3/2006 Kuboshima ..... D12/110  
D537,386 S \* 2/2007 Mizuta ..... D12/110  
D543,905 S \* 6/2007 Domergue ..... D12/110  
D566,010 S \* 4/2008 Hohdorf ..... D12/110  
D566,011 S \* 4/2008 Hohdorf ..... D12/110  
D586,700 S \* 2/2009 Chiu ..... D12/110  
D602,813 S \* 10/2009 Chao ..... D12/110  
D605,087 S \* 12/2009 Wong ..... D12/110

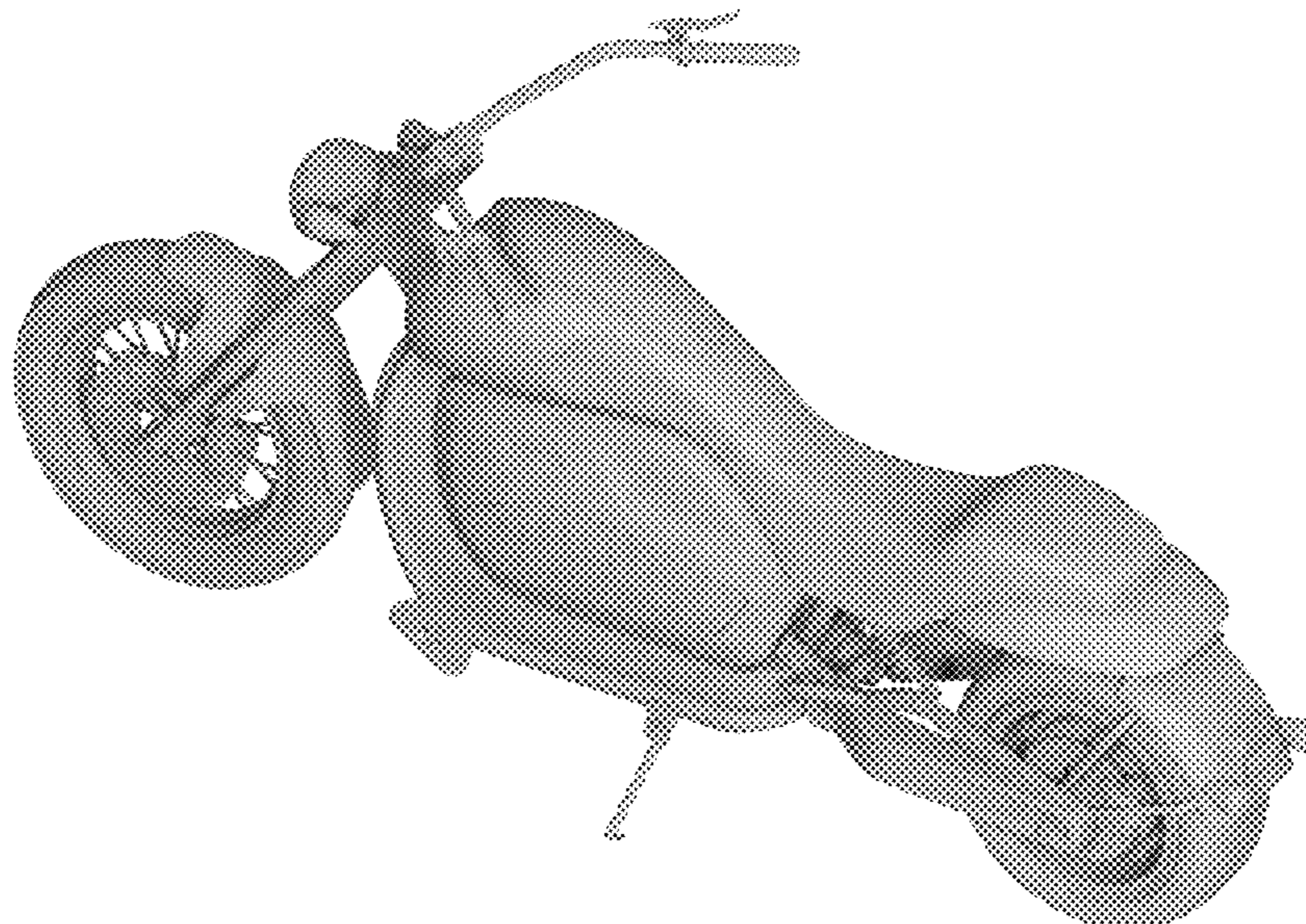
(57) **CLAIM**

The ornamental design for a motorcycle, as shown and described.

**DESCRIPTION**

FIG. 1 is a top, rear, and left side perspective view of a motorcycle embodying my new design;  
FIG. 2 is a bottom, front, and right side perspective view thereof;  
FIG. 3 is a front elevation view thereof;  
FIG. 4 is a rear elevation view thereof;  
FIG. 5 is a right side elevation view thereof;  
FIG. 6 is a left side elevation view thereof;  
FIG. 7 is a top plan view thereof; and,  
FIG. 8 is a bottom plan view thereof.

**1 Claim, 8 Drawing Sheets**



(56)

**References Cited**

U.S. PATENT DOCUMENTS

9,694,870 B2 \* 7/2017 Kawai ..... B62K 19/20  
 D796,385 S \* 9/2017 Galluzzi ..... D12/110  
 D806,610 S \* 1/2018 Su ..... D12/110  
 10,252,761 B2 \* 4/2019 Naymark ..... B62J 1/18  
 D853,889 S \* 7/2019 Pits ..... D12/110  
 D859,221 S \* 9/2019 Shigihara ..... D12/110  
 D869,994 S \* 12/2019 Kataoka ..... D12/110  
 10,494,045 B2 \* 12/2019 Koishikawa ..... B62J 15/00  
 D880,366 S \* 4/2020 Shedjale ..... D12/110  
 D890,033 S \* 7/2020 Carducci ..... D12/110  
 D895,486 S \* 9/2020 McGinley ..... D12/110  
 D895,487 S \* 9/2020 Richards ..... D12/110  
 D906,889 S \* 1/2021 Piatti ..... D12/110  
 D910,495 S \* 2/2021 Groesbeek ..... D12/110  
 D911,879 S \* 3/2021 Christoph ..... D12/110  
 D915,948 S \* 4/2021 Hsieh ..... D12/110  
 D920,849 S \* 6/2021 Shedjale ..... D12/110

D927,362 S \* 8/2021 Doveri ..... D12/110  
 D929,266 S \* 8/2021 Pischevar ..... D12/110  
 D929,267 S \* 8/2021 Zache ..... D12/110  
 D934,738 S \* 11/2021 Yasatharo ..... D12/110  
 D940,008 S \* 1/2022 Lou ..... D12/110  
 D945,933 S \* 3/2022 Hu ..... D12/110  
 2018/0151860 A1 \* 5/2018 David ..... H01M 50/20  
 2018/0257726 A1 \* 9/2018 Bagnariol ..... B62K 11/04  
 2019/0144065 A1 \* 5/2019 David ..... B62J 50/225  
 180/208

OTHER PUBLICATIONS

“2022 new design citycoco electric scooter motorcycles.” Alibaba., Apr. 22, 2021 [online], [retrieved on Apr. 7, 2022]. Retrieved from the Internet <URL: [https://www.alibaba.com/product-detail/2022-new-design-citycoco-electric-scooter\\_1600432551563.html?spm=a2700.7724857.normal\\_offer.d\\_image.18f87371dbyBmt](https://www.alibaba.com/product-detail/2022-new-design-citycoco-electric-scooter_1600432551563.html?spm=a2700.7724857.normal_offer.d_image.18f87371dbyBmt)>.\*

\* cited by examiner

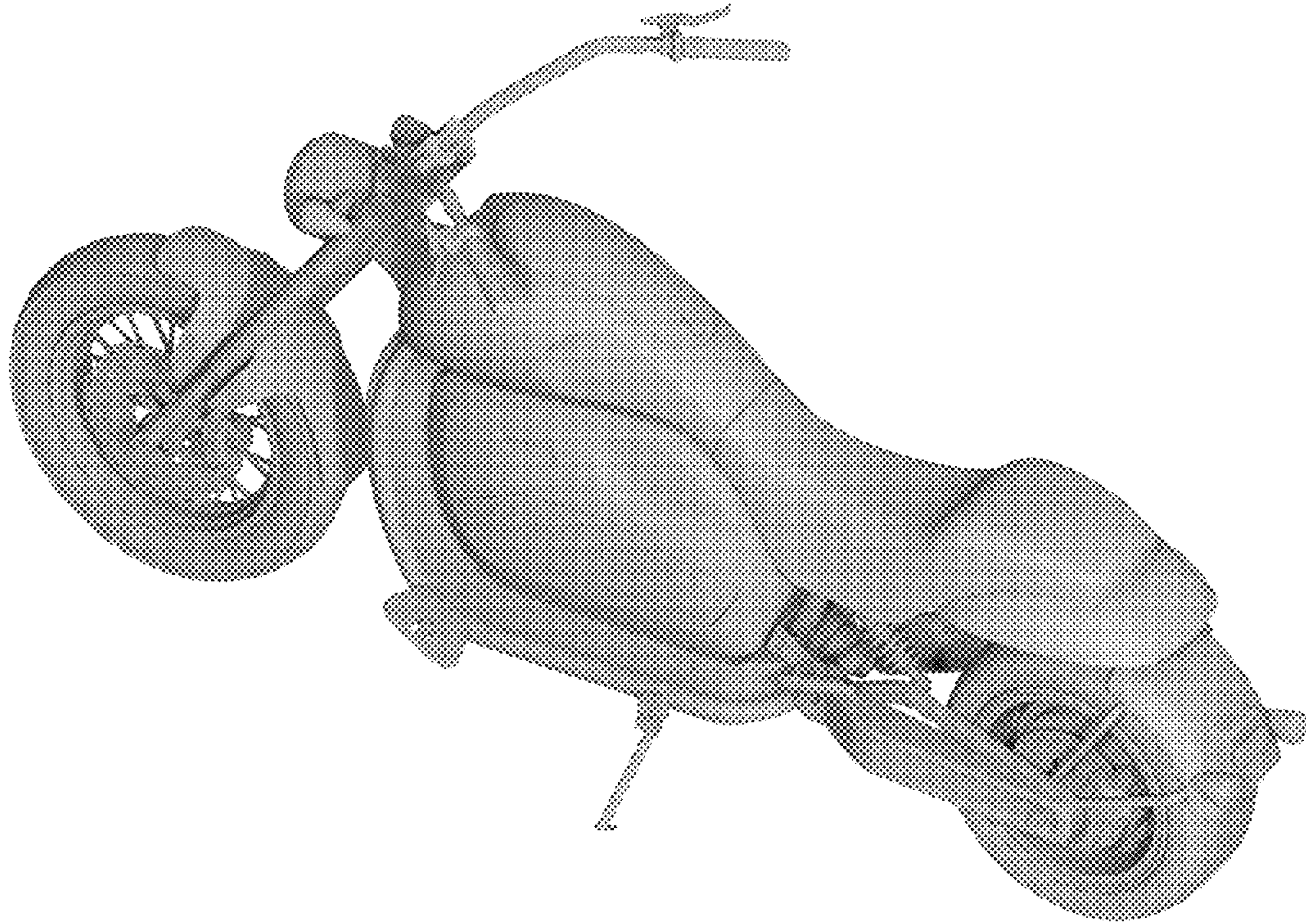


FIG. 1

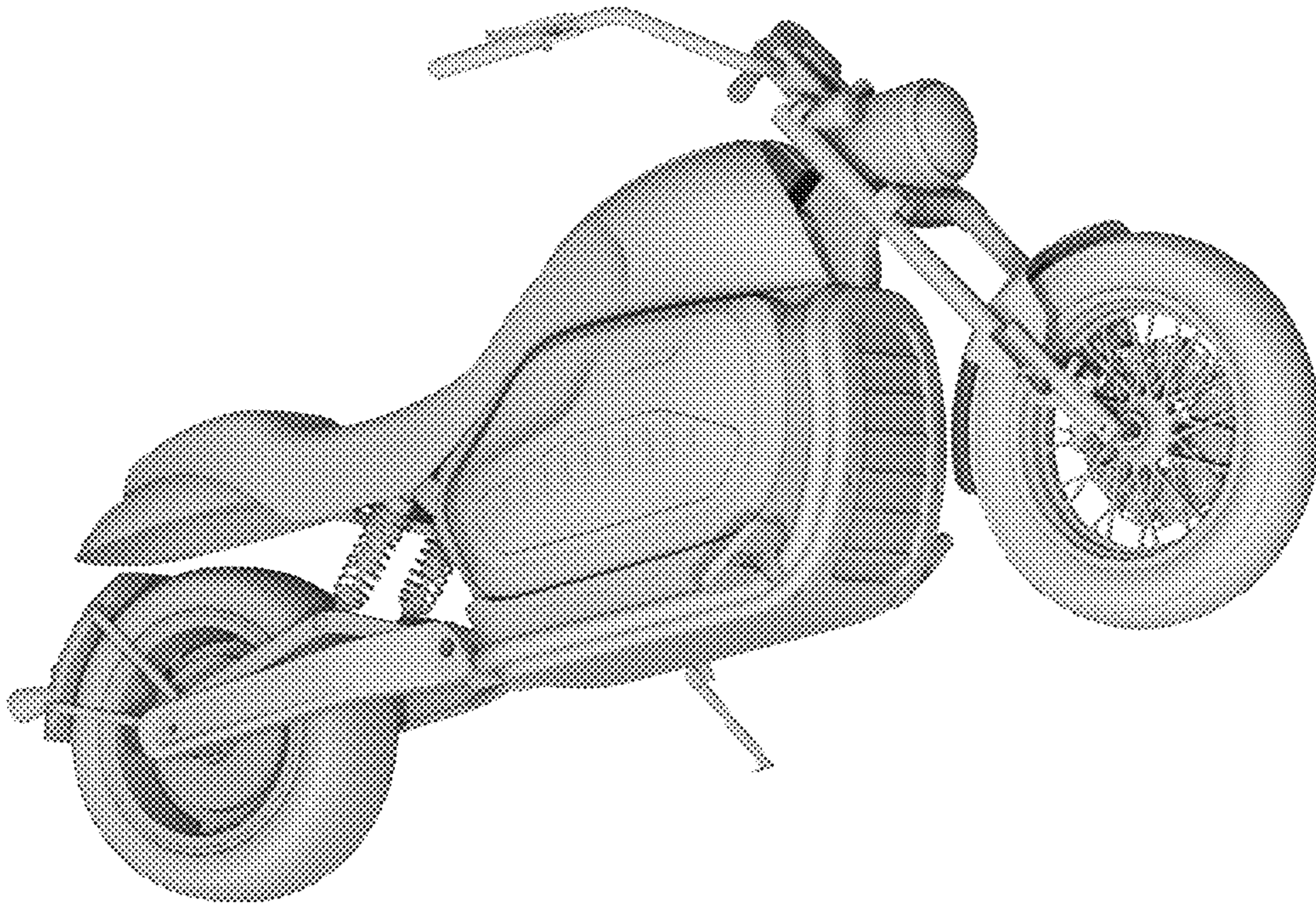


FIG. 2

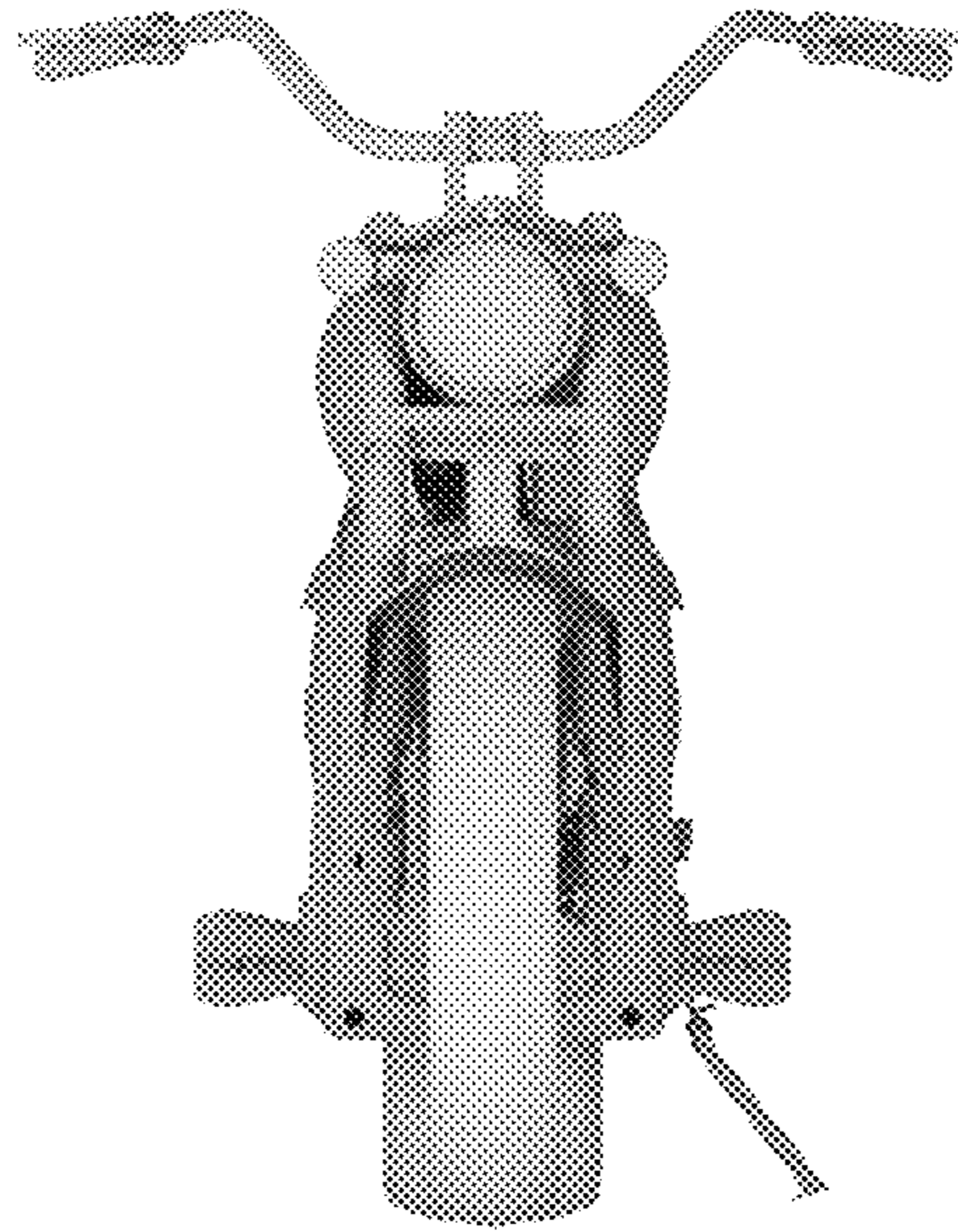


FIG. 3

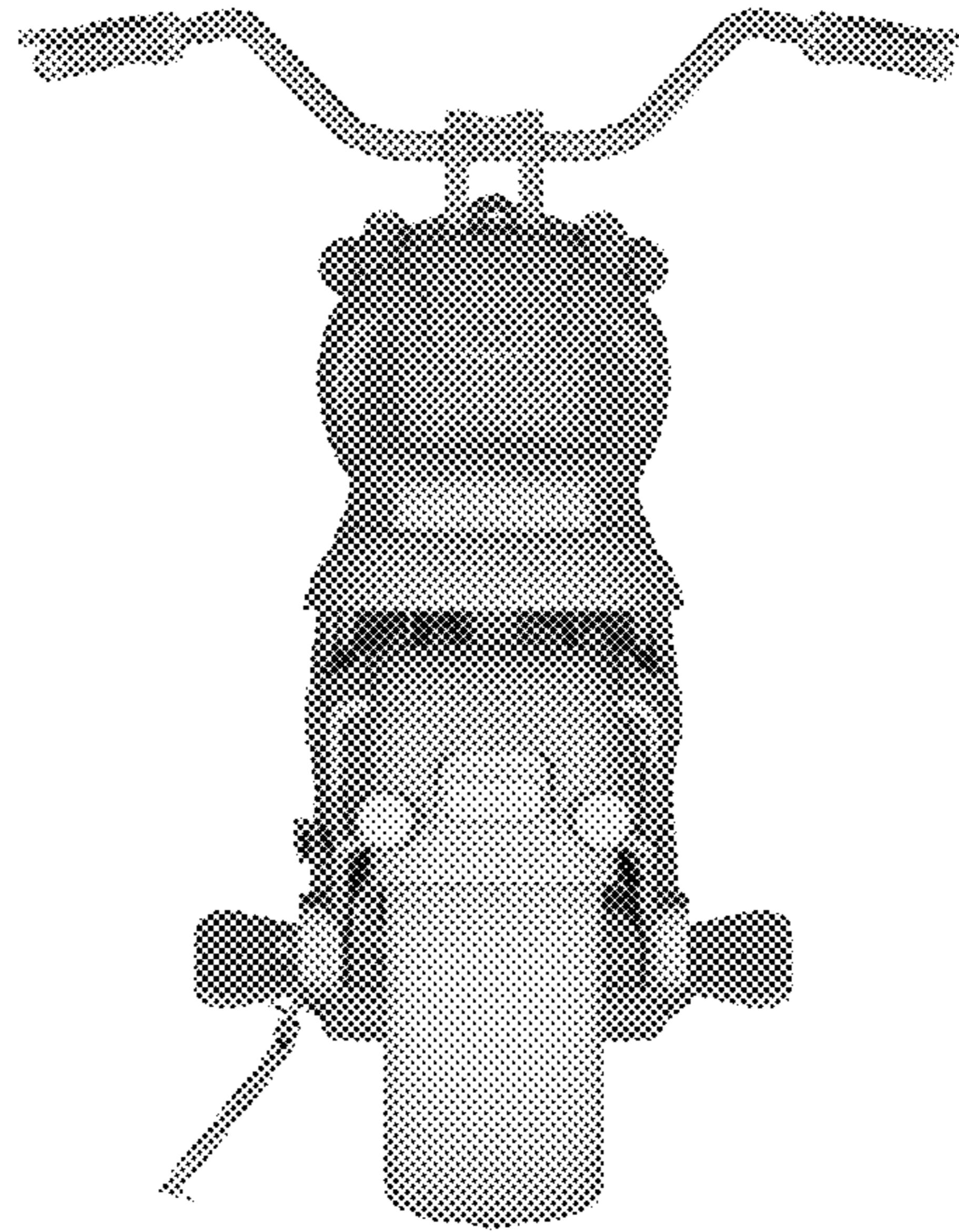


FIG. 4

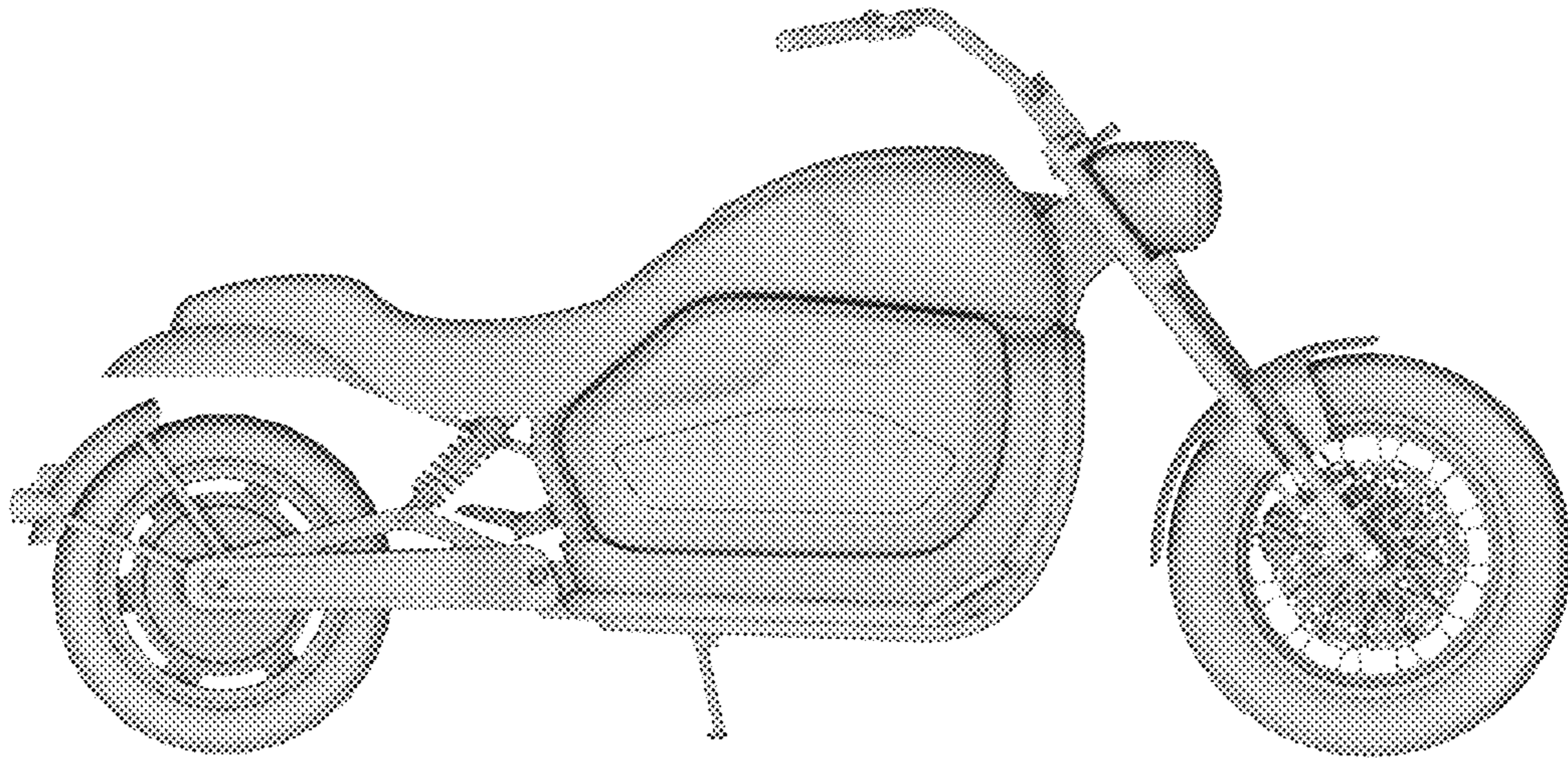


FIG. 5

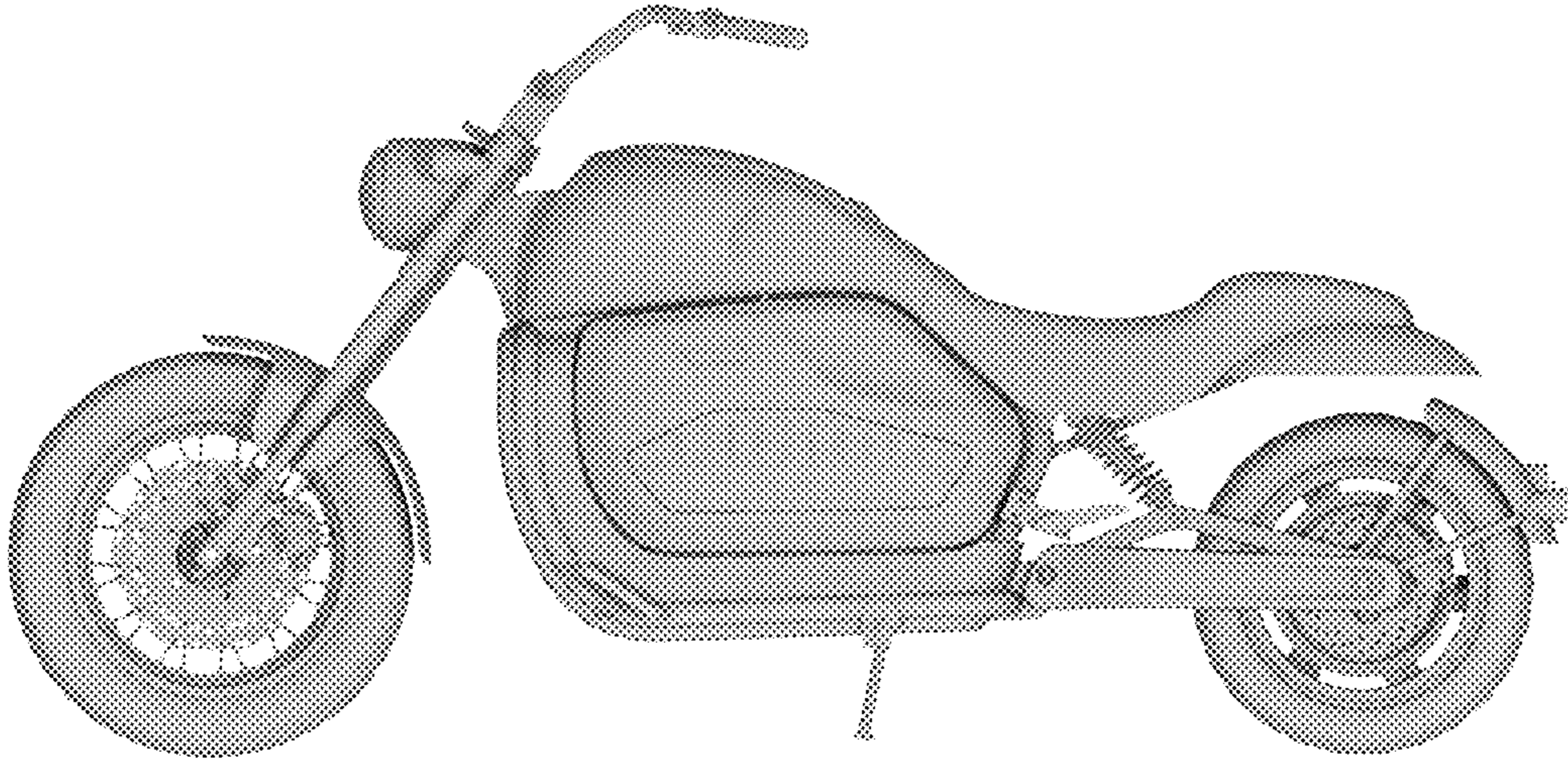


FIG. 6



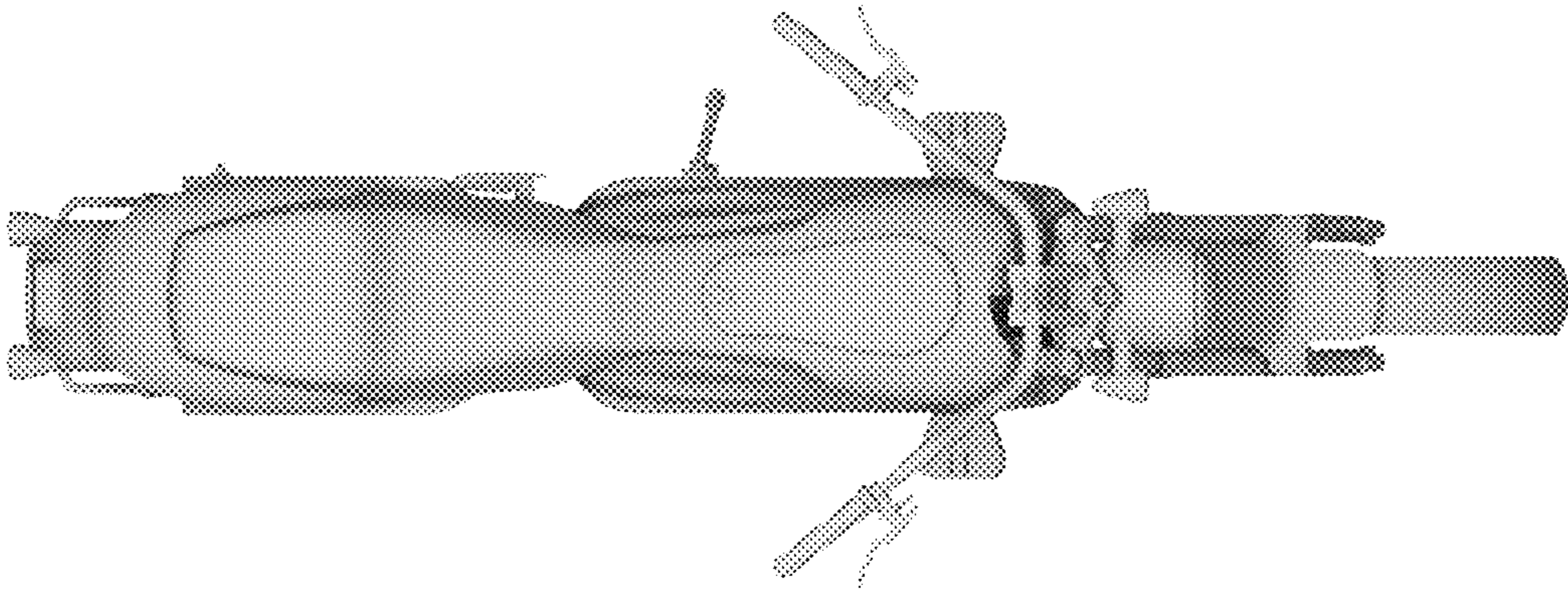


FIG. 7

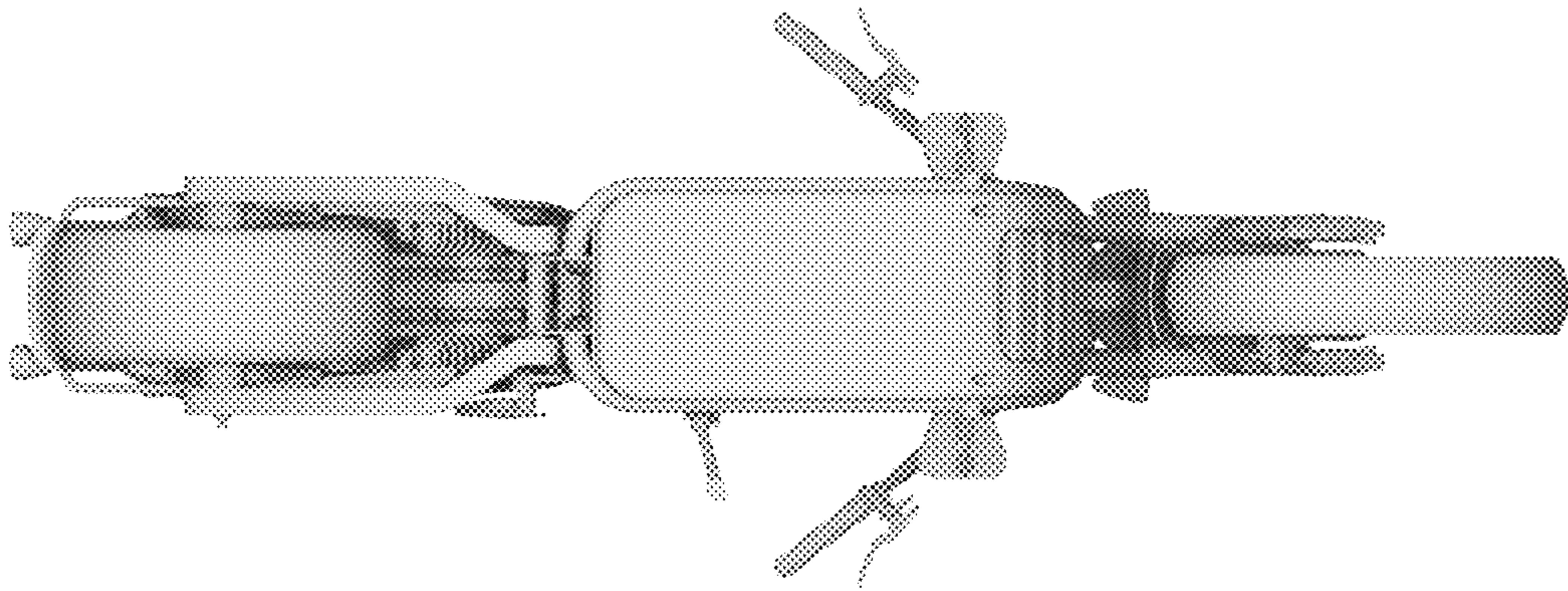


FIG. 8