



US00D955297S

(12) **United States Design Patent**
Lou et al.

(10) **Patent No.: US D955,297 S**
(45) **Date of Patent: ** Jun. 21, 2022**

(54) **ALL TERRAIN VEHICLE**

(71) Applicant: **ZHEJIANG TAOTAO VEHICLES CO., LTD.**, Lishui (CN)
(72) Inventors: **Guidong Lou**, Lishui (CN); **Hongxia Zhu**, Lishui (CN); **Weihao Liu**, Lishui (CN)
(73) Assignee: **ZHEJIANG TAOTAO VEHICLES CO., LTD.**, Lishui (CN)

(**) Term: **15 Years**
(21) Appl. No.: **29/766,082**
(22) Filed: **Jan. 13, 2021**

(30) **Foreign Application Priority Data**

Oct. 9, 2020 (CN) 202030597922.1

(51) **LOC (13) Cl.** **12-11**
(52) **U.S. Cl.**
USPC **D12/107**
(58) **Field of Classification Search**
USPC D12/3, 86, 87, 107, 110
CPC B60K 5/12; B60K 13/04; B60K 17/354
See application file for complete search history.

(56) **References Cited**

U.S. PATENT DOCUMENTS

D593,454 S * 6/2009 Sanschagrin D12/107
D643,781 S * 8/2011 Nagao D12/107
D657,720 S * 4/2012 Eck D12/107
D866,402 S * 11/2019 Wang D12/107
10,569,819 B2 * 2/2020 Lovold B62K 5/007
D896,706 S * 9/2020 Lai D12/107
D904,936 S * 12/2020 Lou D12/107
D906,181 S * 12/2020 Lou D12/107
D926,636 S * 8/2021 Lou D12/107
D936,524 S * 11/2021 Xie D12/107
D937,710 S * 12/2021 Dunn D12/87
2020/0171942 A1 * 6/2020 Evans F02D 9/1065

OTHER PUBLICATIONS

“Mudhawk 10” AVT TAO Motors., posted date Aug. 13, 2020 [online], [retrieved on Feb. 23, 2022]. Retrieved from the Internet <URL: <https://taomotor.com/products/atvs/mudhawk-10/>> (Year: 2020).*
“ATV TAO Motors the Mudhawk 125cc” AVT TAO Motors., posted date Jan. 21, 2021 [online], [retrieved on Feb. 23, 2022]. Retrieved from the Internet <URL: <https://vttlachute.com/en/atv/6479-atv-tao-motors-the-mudhawk-125cc-automatic-for-children.html>> (Year: 2021).*
“X-Pro Adult ATV Quad Four Wheelers” X-Pro., posted date Mar. 26, 2019 [online], [retrieved on Feb. 23, 2022]. Retrieved from the Internet <URL: https://www.amazon.com/X-Pro-Wheelers-Utility-Gloves-Handgrip/dp/B07R8KHXQF/ref=sr_1_7?keywords=Gas+Quad&qid=1645650539&sr=8-7> (Year: 2019).*

* cited by examiner

Primary Examiner — Darlington Ly
Assistant Examiner — Nasim Abdulaziz Ali
(74) *Attorney, Agent, or Firm* — Schwegman Lundberg & Woessner, P.A.

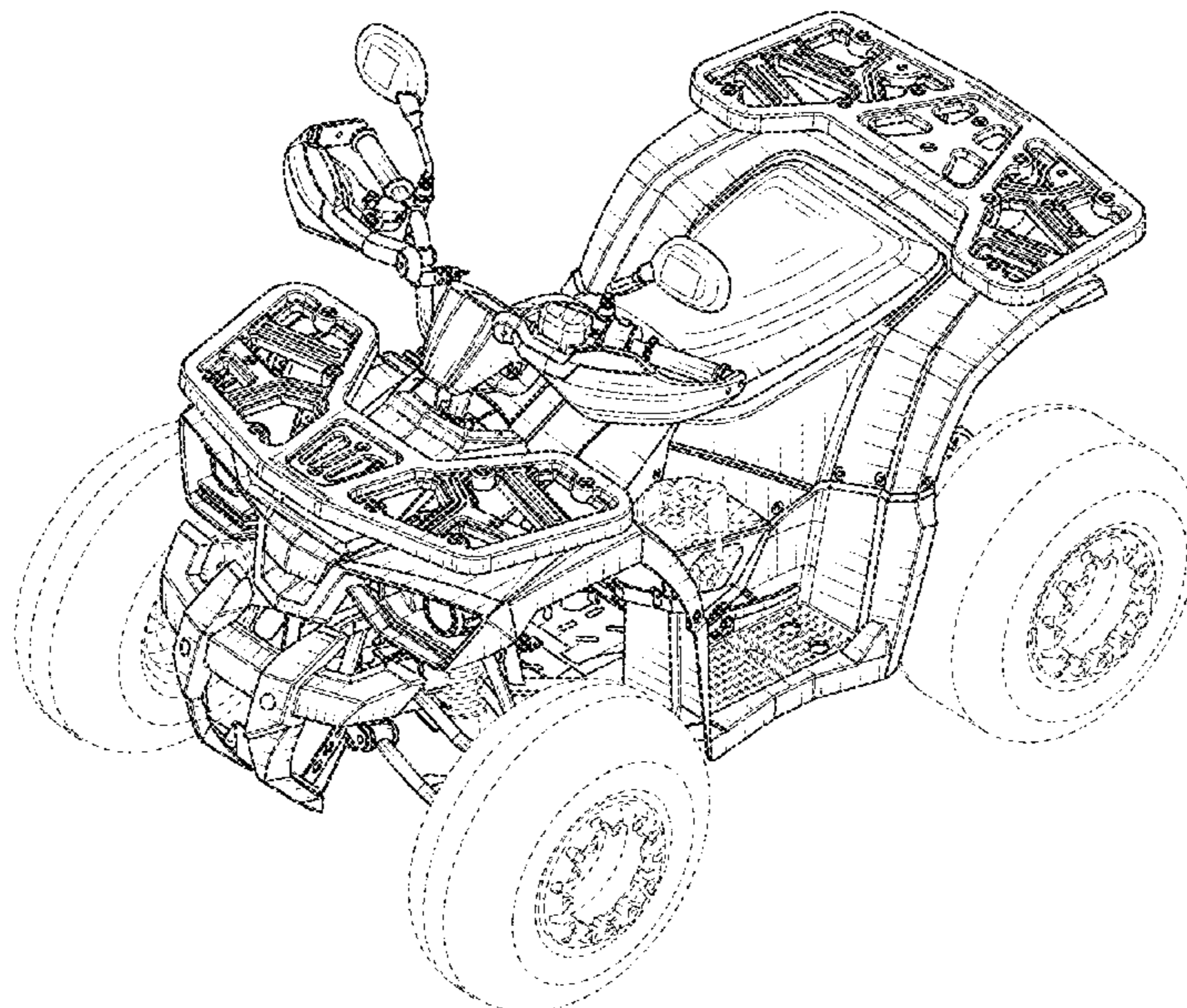
(57) **CLAIM**

The ornamental design for an all terrain vehicle, as shown and described.

DESCRIPTION

FIG. 1 is a front perspective view of an all terrain vehicle embodying our new design;
FIG. 2 is a rear perspective view thereof;
FIG. 3 is a front elevation view thereof;
FIG. 4 is a rear elevation view thereof;
FIG. 5 is a left side elevation view thereof;
FIG. 6 is a right side elevation view thereof; and,
FIG. 7 is a top plan view thereof.
The portions of the all terrain vehicle shown in broken lines form no part of the claimed design.

1 Claim, 7 Drawing Sheets



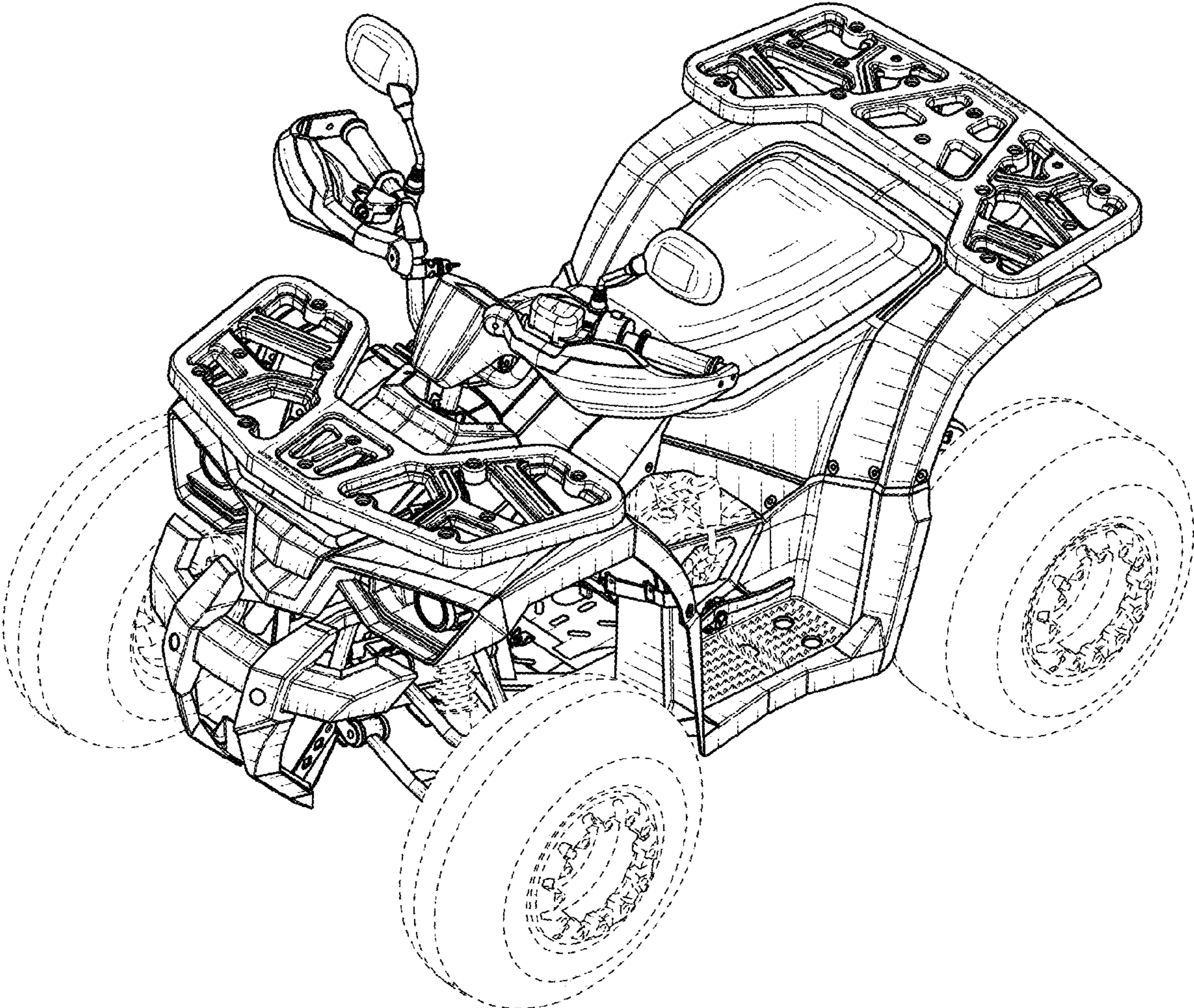


FIG. 1

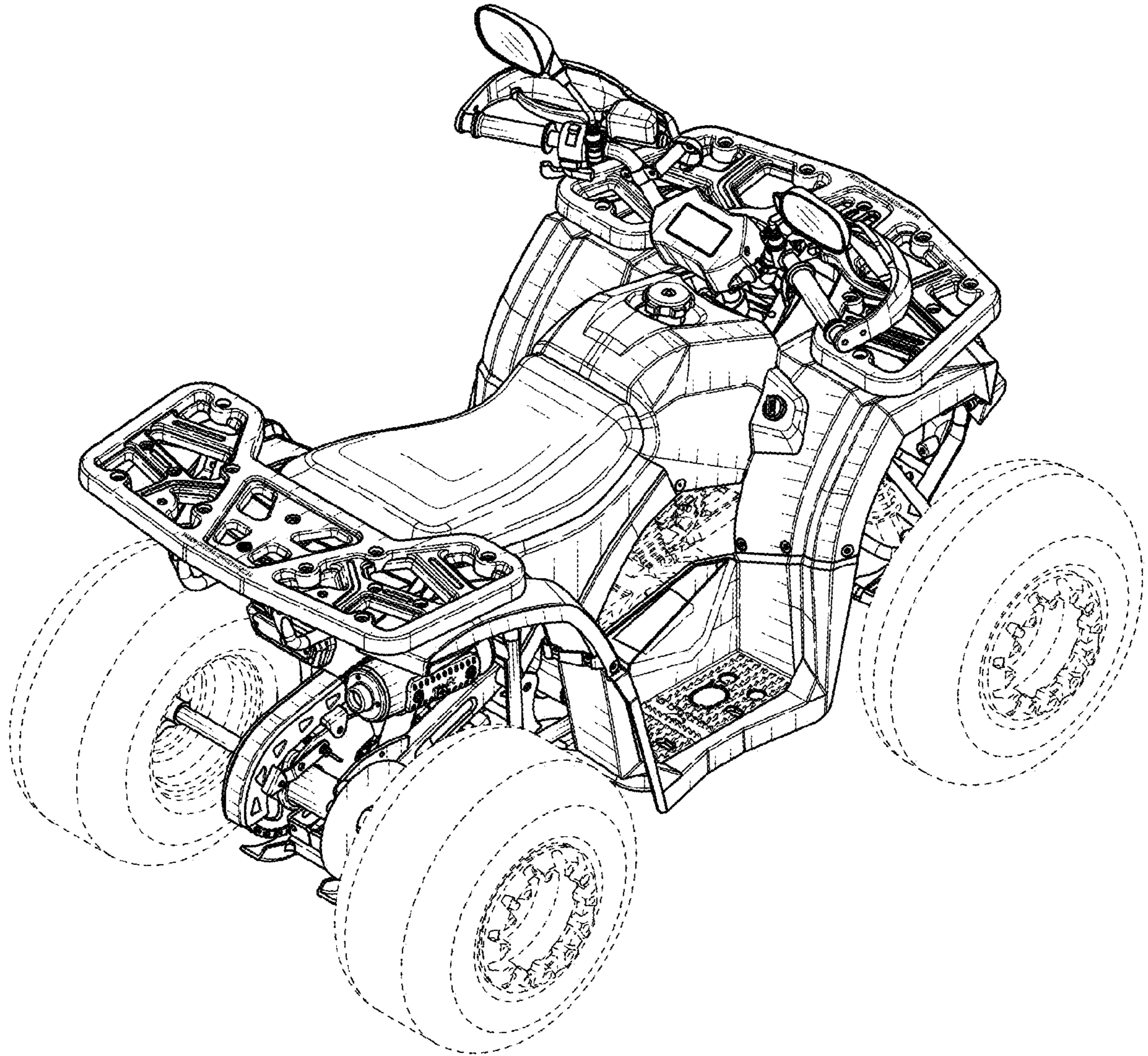


FIG. 2

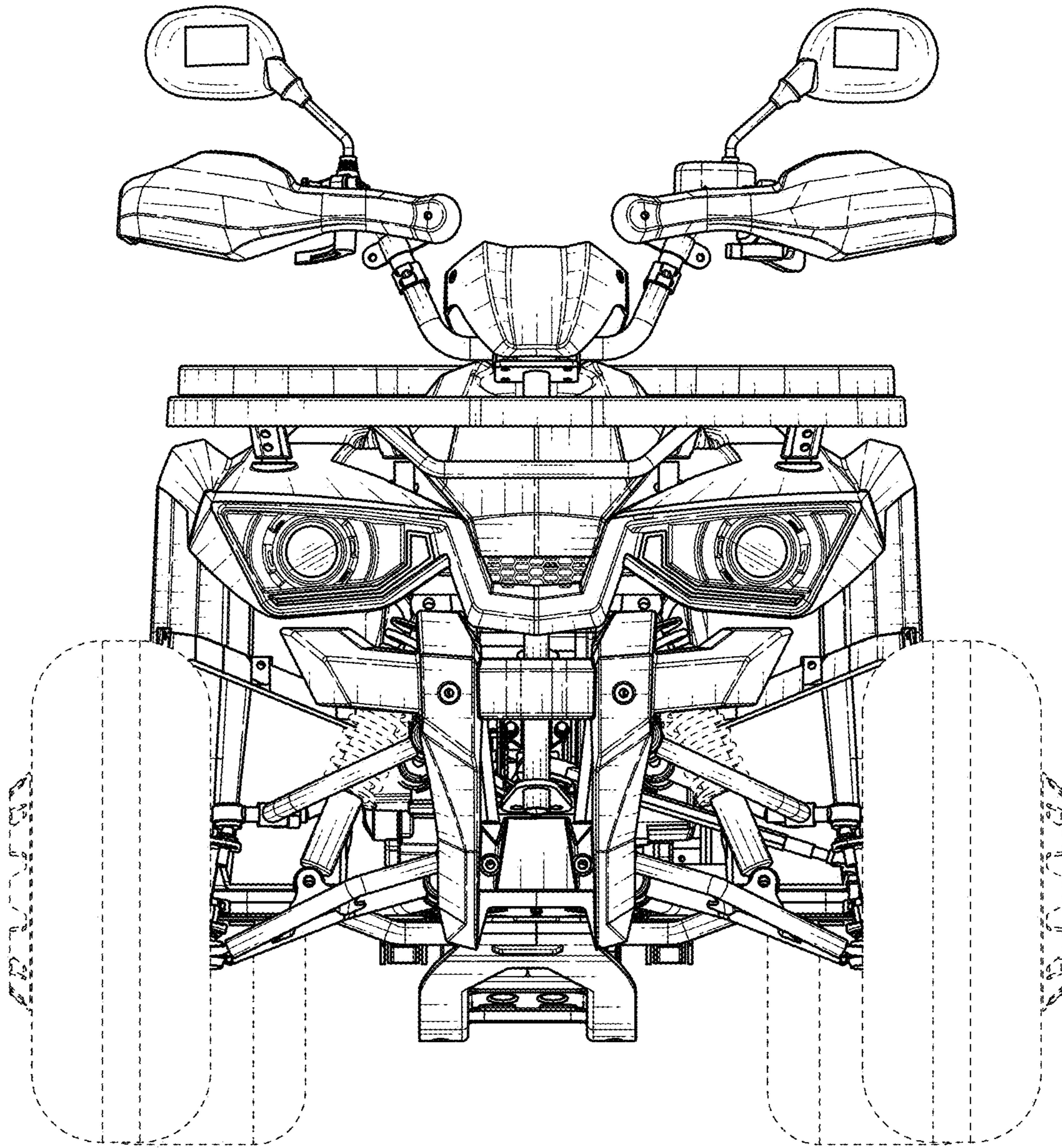


FIG. 3

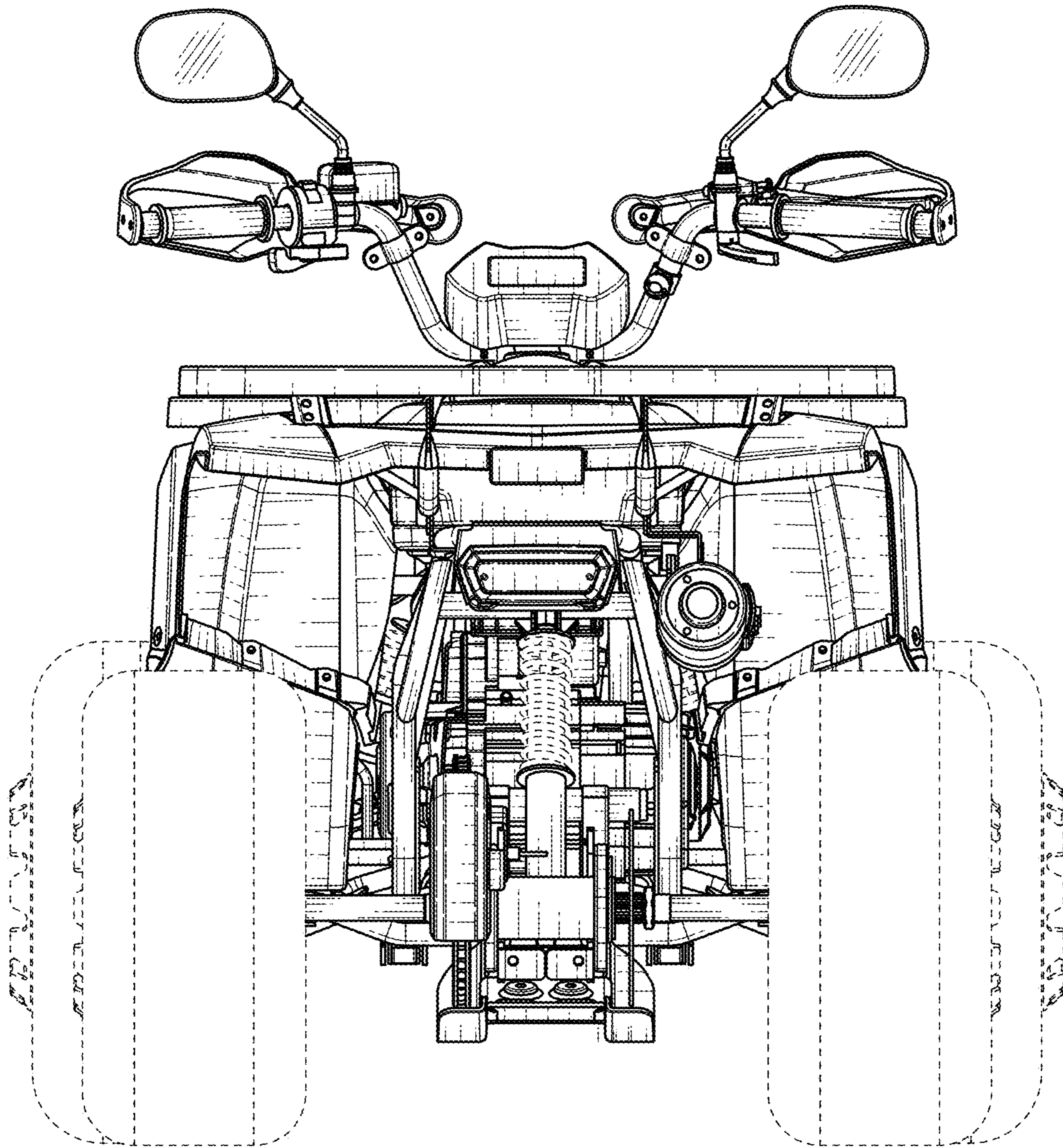


FIG. 4

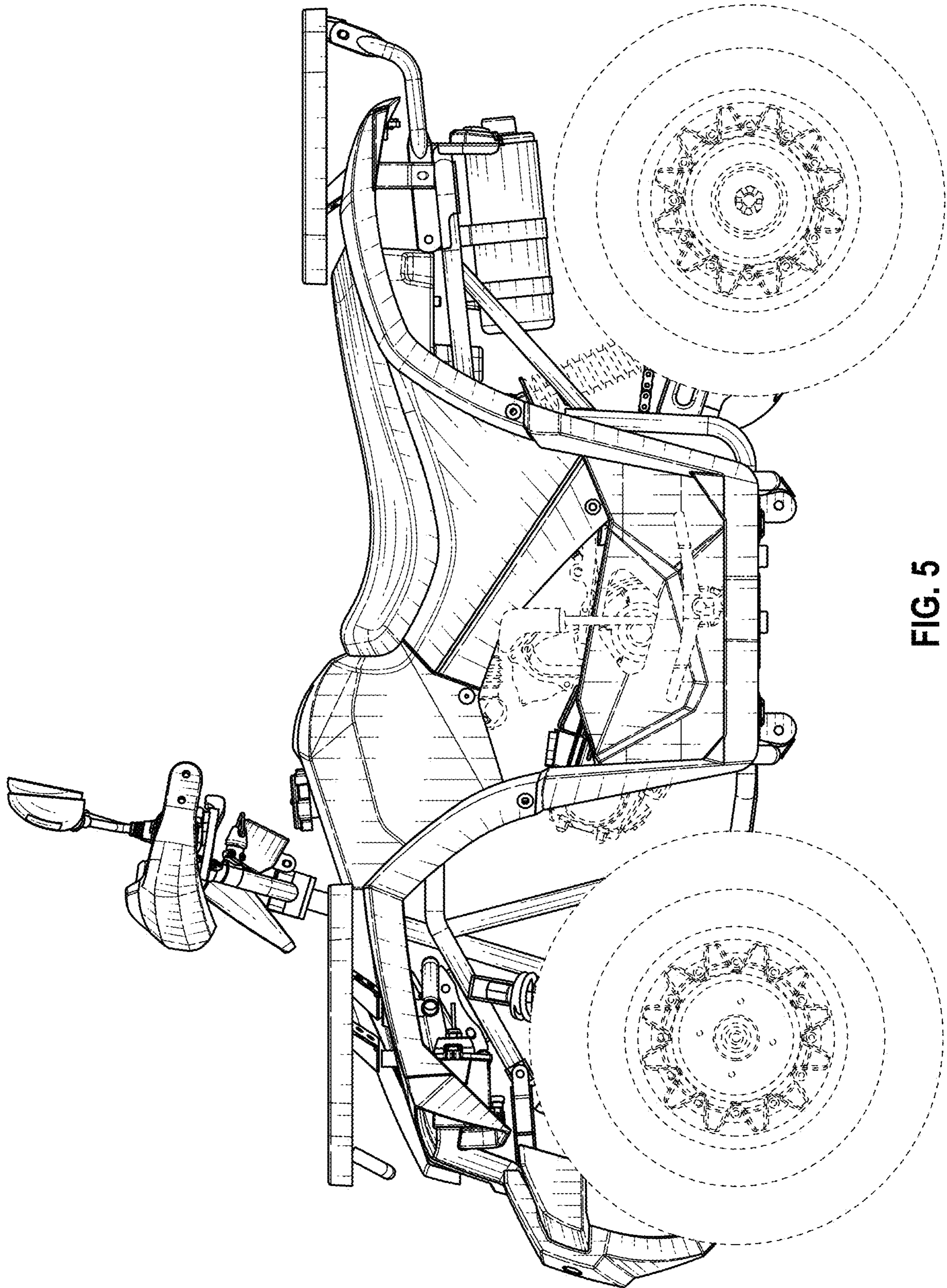


FIG. 5

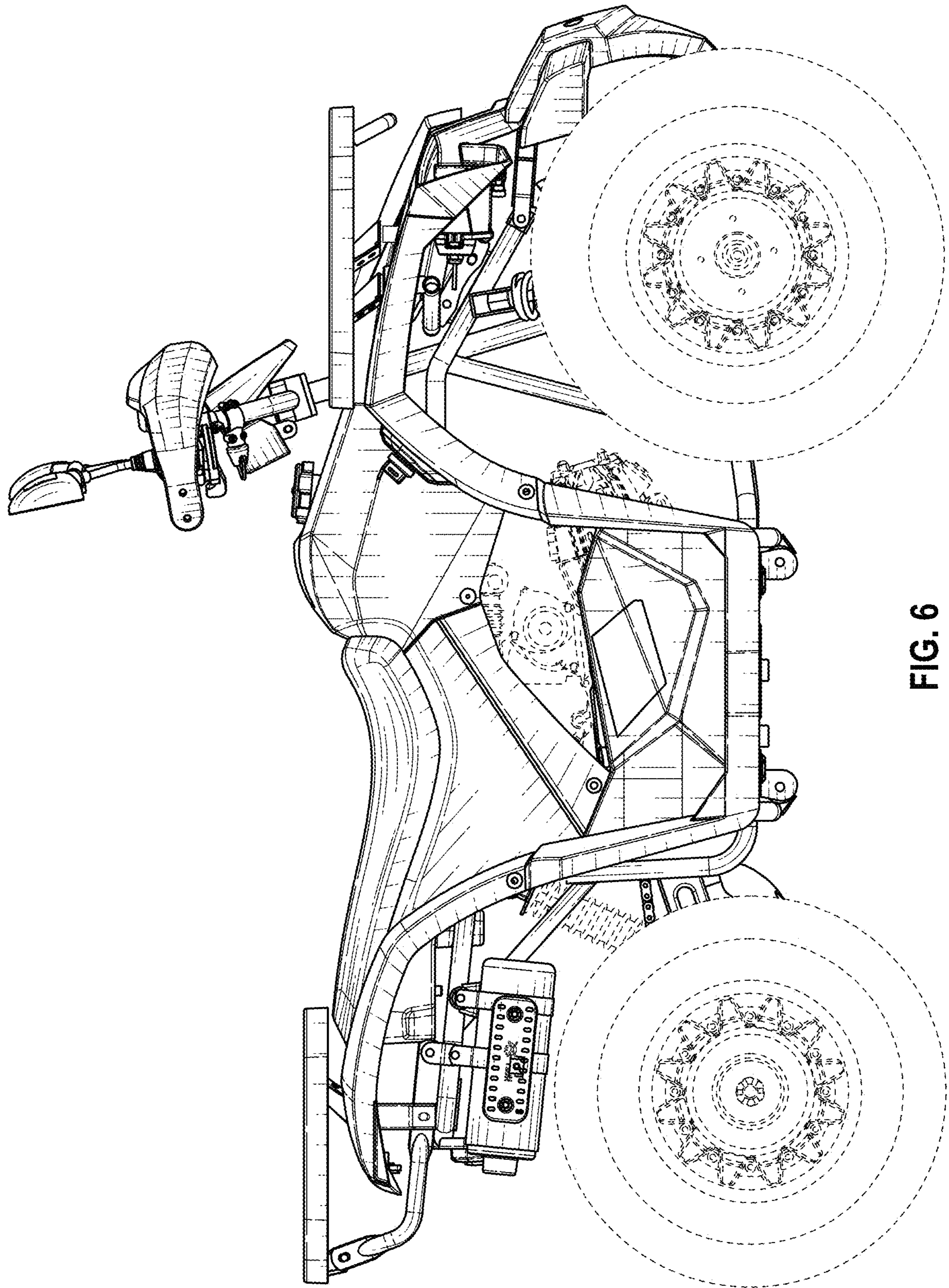


FIG. 6

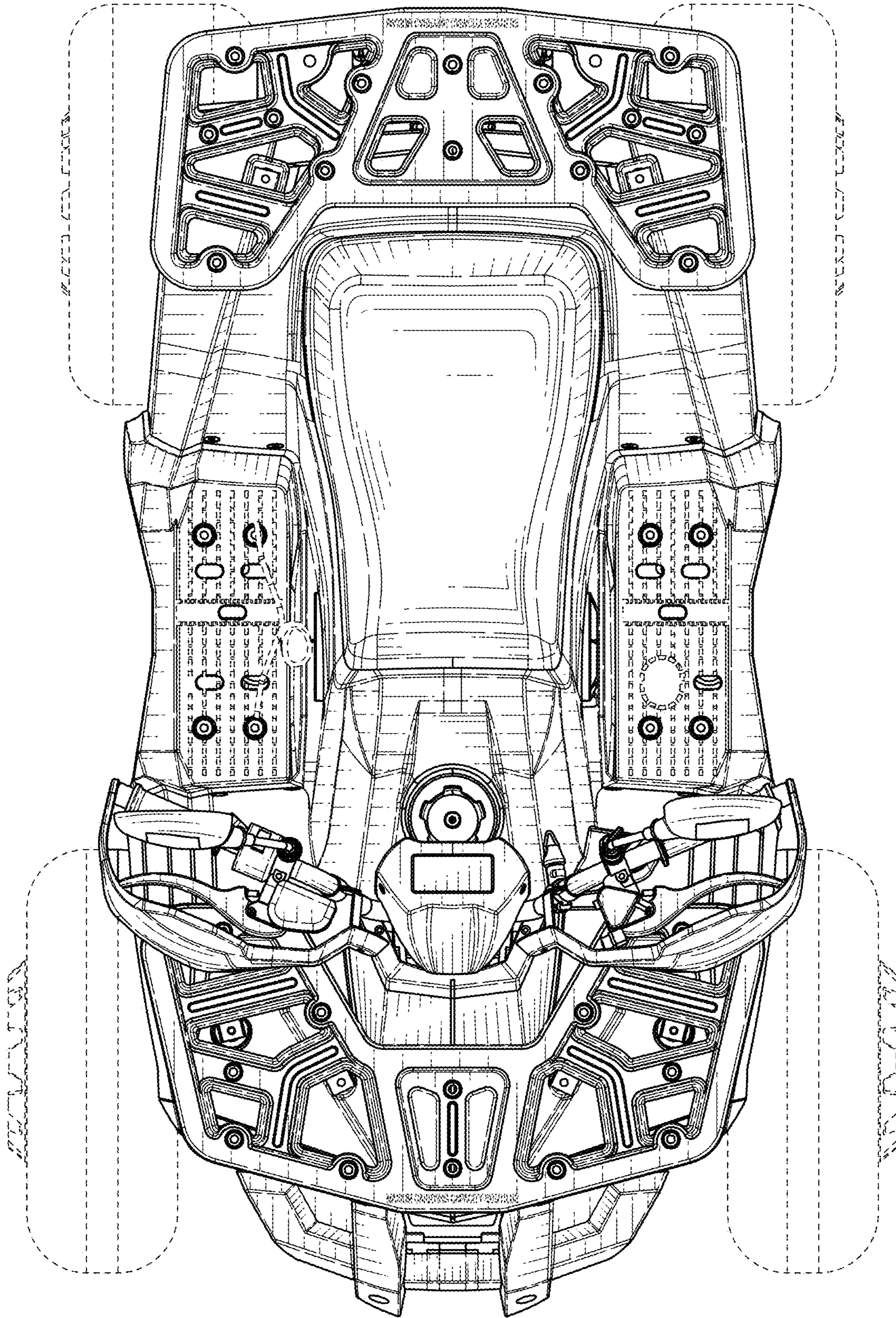


FIG. 7