



US00D955296S

(12) **United States Design Patent**
Sohn

(10) **Patent No.:** **US D955,296 S**
(45) **Date of Patent:** **** Jun. 21, 2022**

(54) **FOOTBALL HELMET MOTIF TRAVEL TRAILER BODY**

Primary Examiner — Katrina A Betton

(71) Applicant: **Raymond Sohn**, Portland, OR (US)

(57) **CLAIM**

(72) Inventor: **Raymond Sohn**, Portland, OR (US)

I claim the ornamental design for a football helmet motif travel trailer body, as shown and described.

(**) Term: **15 Years**

(21) Appl. No.: **29/773,406**

DESCRIPTION

(22) Filed: **Mar. 9, 2021**

(51) **LOC (13) Cl.** **12-16**

(52) **U.S. Cl.**
USPC **D12/103**

(58) **Field of Classification Search**
USPC D12/19, 129, 100–106, 111–112;
D21/425, 435; D34/21–26, 12, 16–19
CPC .. B62D 35/00; B62D 33/077; B62D 33/0612;
B62D 24/04; B60P 3/10; B60P 3/1033;
B60P 3/0257; B60P 3/38; B60P 3/34;
E01F 15/14

See application file for complete search history.

(56) **References Cited**

U.S. PATENT DOCUMENTS

D258,949 S *	4/1981	White	D12/103
D298,810 S *	12/1988	Vilval	D12/102
D392,921 S *	3/1998	McCloud	D12/103
D689,402 S *	9/2013	Lee	D12/103
D692,353 S *	10/2013	Kiez	D12/103
D826,787 S *	8/2018	Goral	D12/103
D852,676 S *	7/2019	Roberts	D12/103
D854,453 S *	7/2019	Roberts	D12/103
D886,682 S *	6/2020	Matthews	D12/103
D935,352 S *	11/2021	Guo	D12/103
D938,863 S *	12/2021	Montesalvo	D12/103
D942,330 S *	2/2022	DeVine	D12/103
D947,720 S *	4/2022	Egilsson	D12/103

* cited by examiner

FIG. 1 is a right rear perspective partial view of a travel trailer body showing my design in a position of use with a see-through lift gate in an open position. The broken lines showing the wheels and a portion of the undercarriage in FIG. 1, and broken lines shown in other FIGS., illustrate environment and form no part of the claimed design;

FIG. 2 is a right rear perspective view of the travel trailer body shown in an alternate position of use with the see-through lift gate in a closed position;

FIG. 3 is a left side view of the travel trailer body with the see-through lift gate in a closed position;

FIG. 4 is a rear perspective view of the travel trailer body with the see-through lift gate in a closed position;

FIG. 5 is a rear perspective view of the travel trailer body with the see-through lift gate in an open position;

FIG. 6 is a front perspective view of the travel trailer body;

FIG. 7 is a top view of the travel trailer body with the see-through lift gate in a closed position;

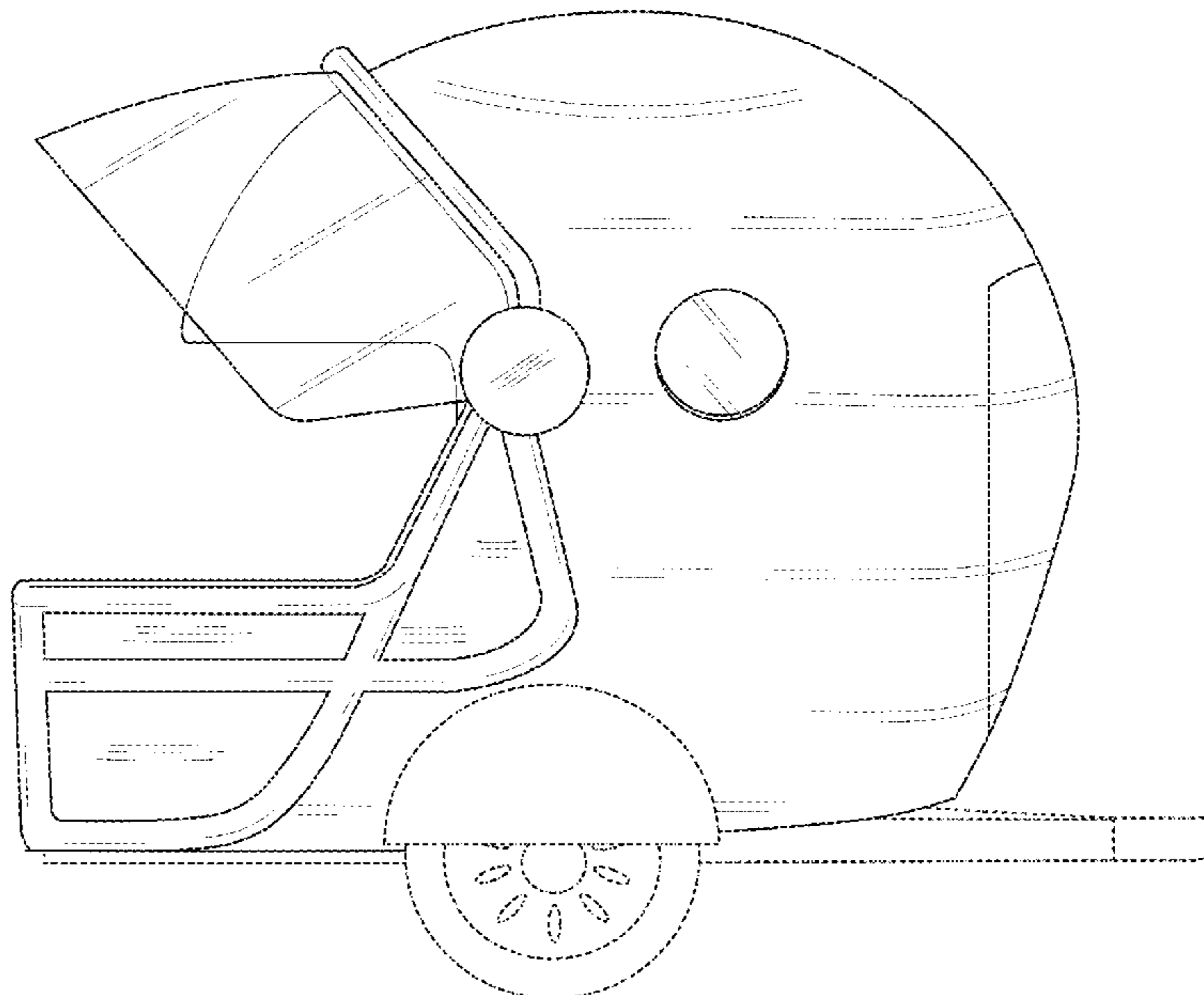
FIG. 8 is a bottom view of the travel trailer body;

FIG. 9 is a right side view of the travel trailer body with the see-through lift gate in a closed position and with the travel trailer body in a position of use being towed by a vehicle;

FIG. 10 is a left side view of the travel trailer body with the see-through lift gate in an open position; and,

FIG. 11 is a rear section view of the travel trailer body illustrating an interior perspective of an access door of the travel trailer body without any fixtures or furnishing inside.

1 Claim, 11 Drawing Sheets



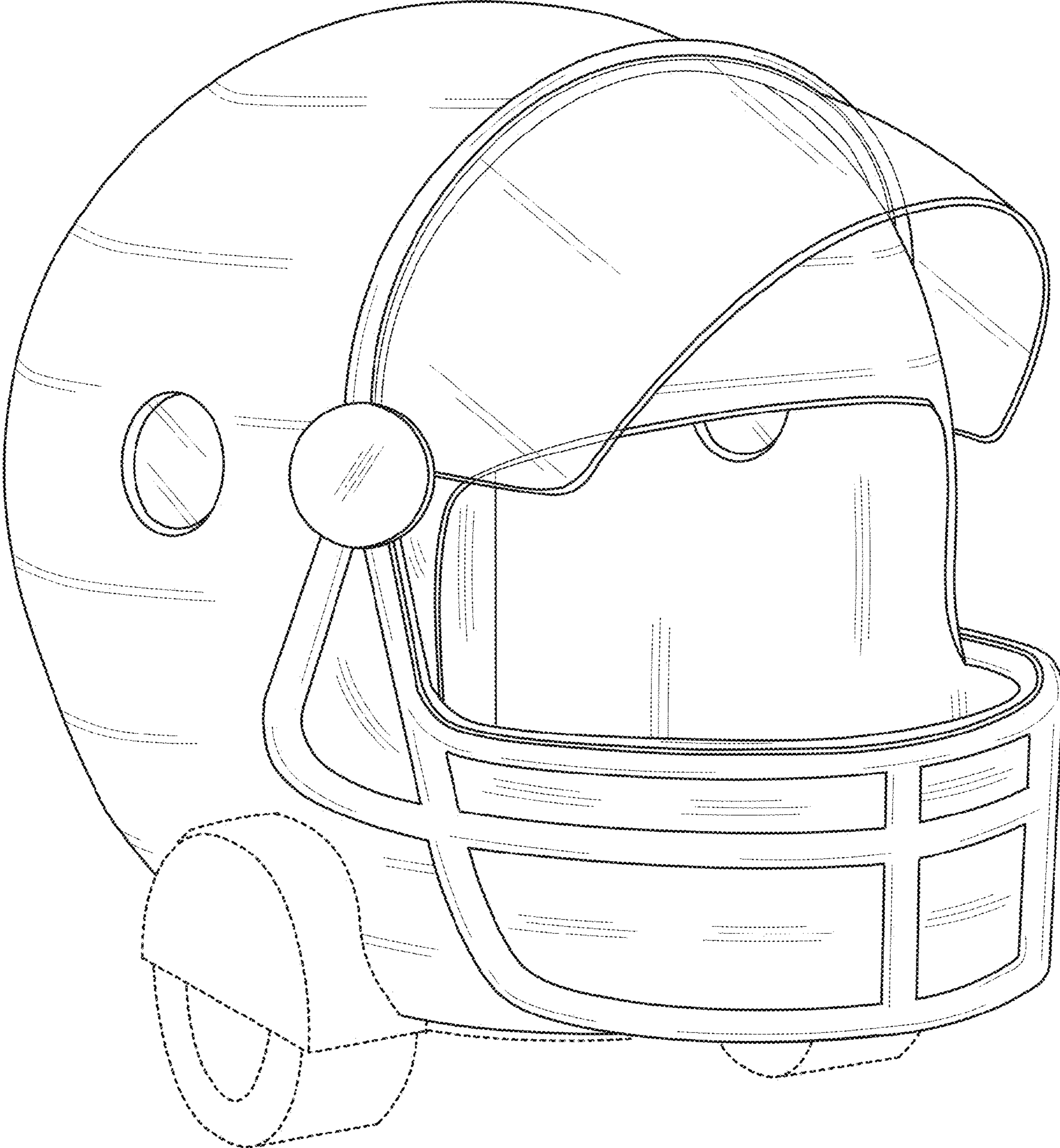


FIG. 1

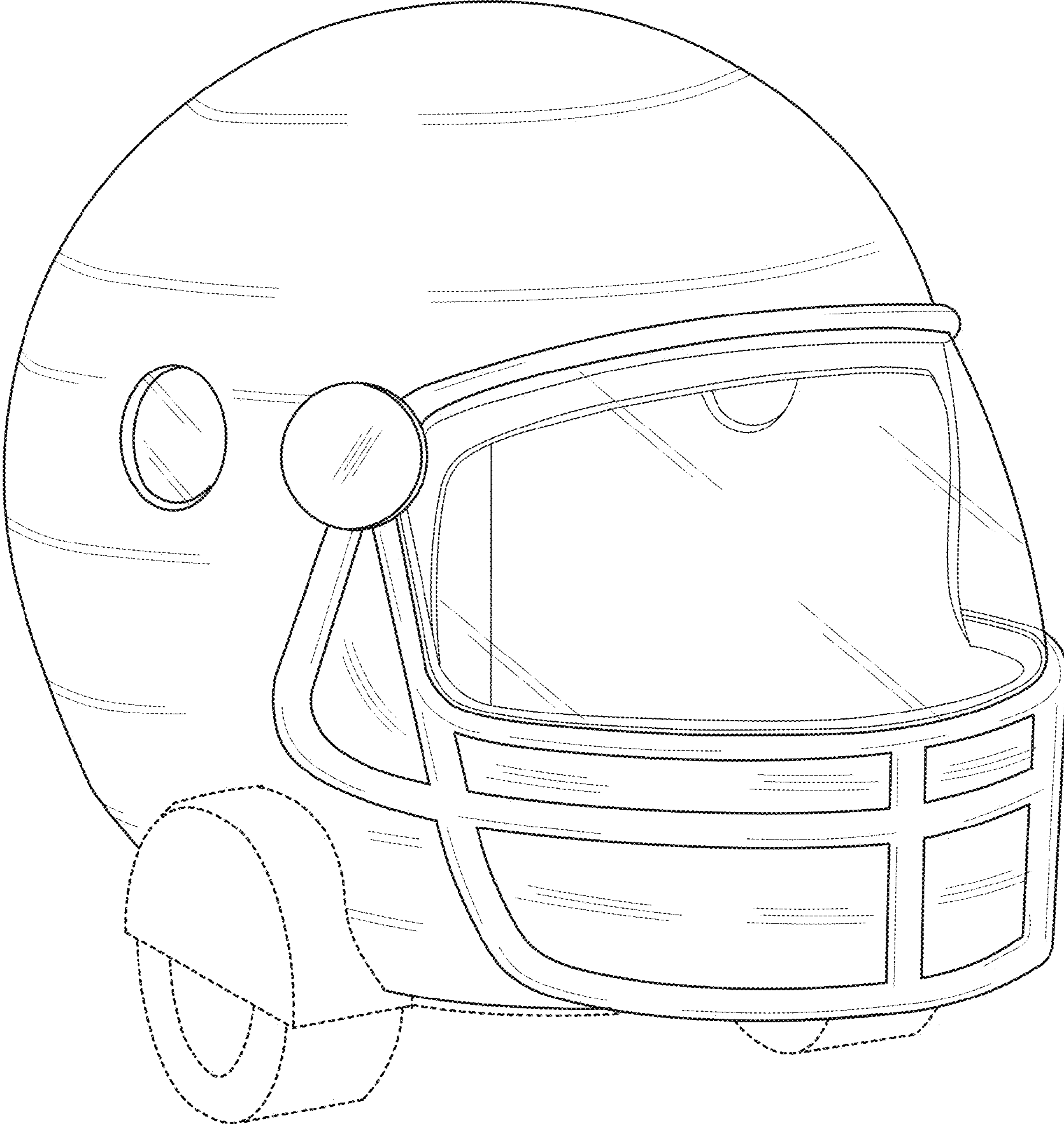


FIG. 2

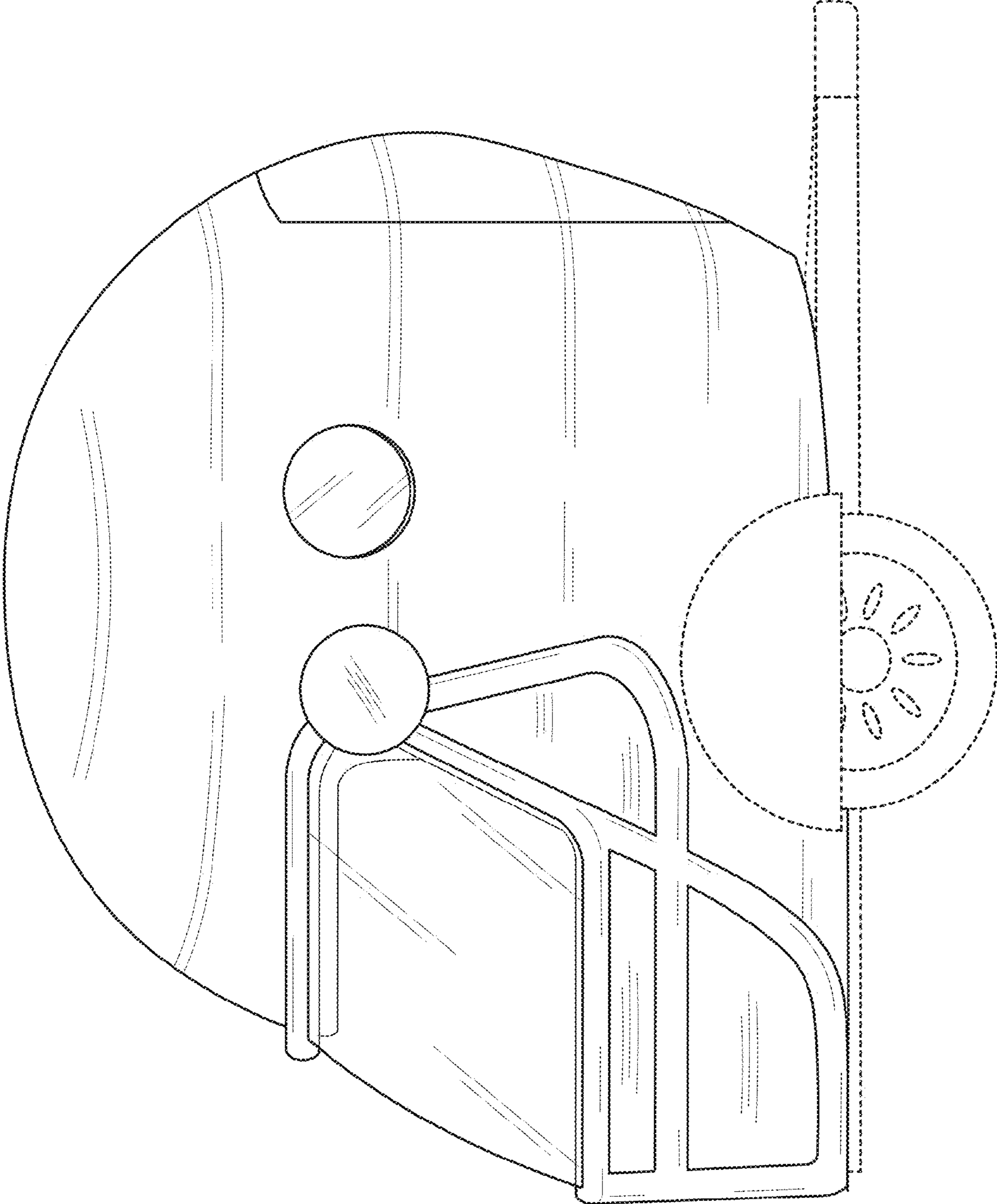


FIG. 3

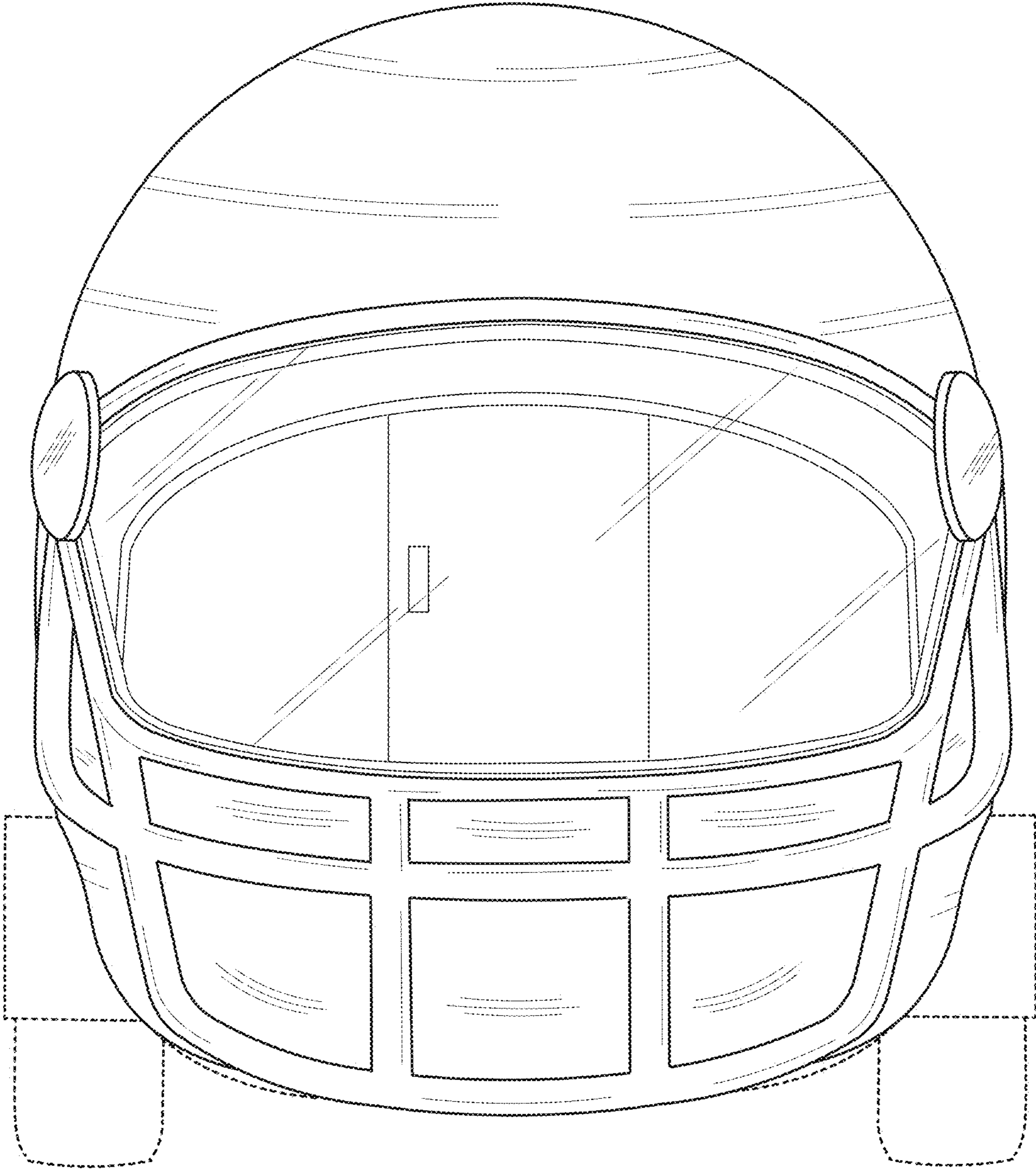


FIG. 4

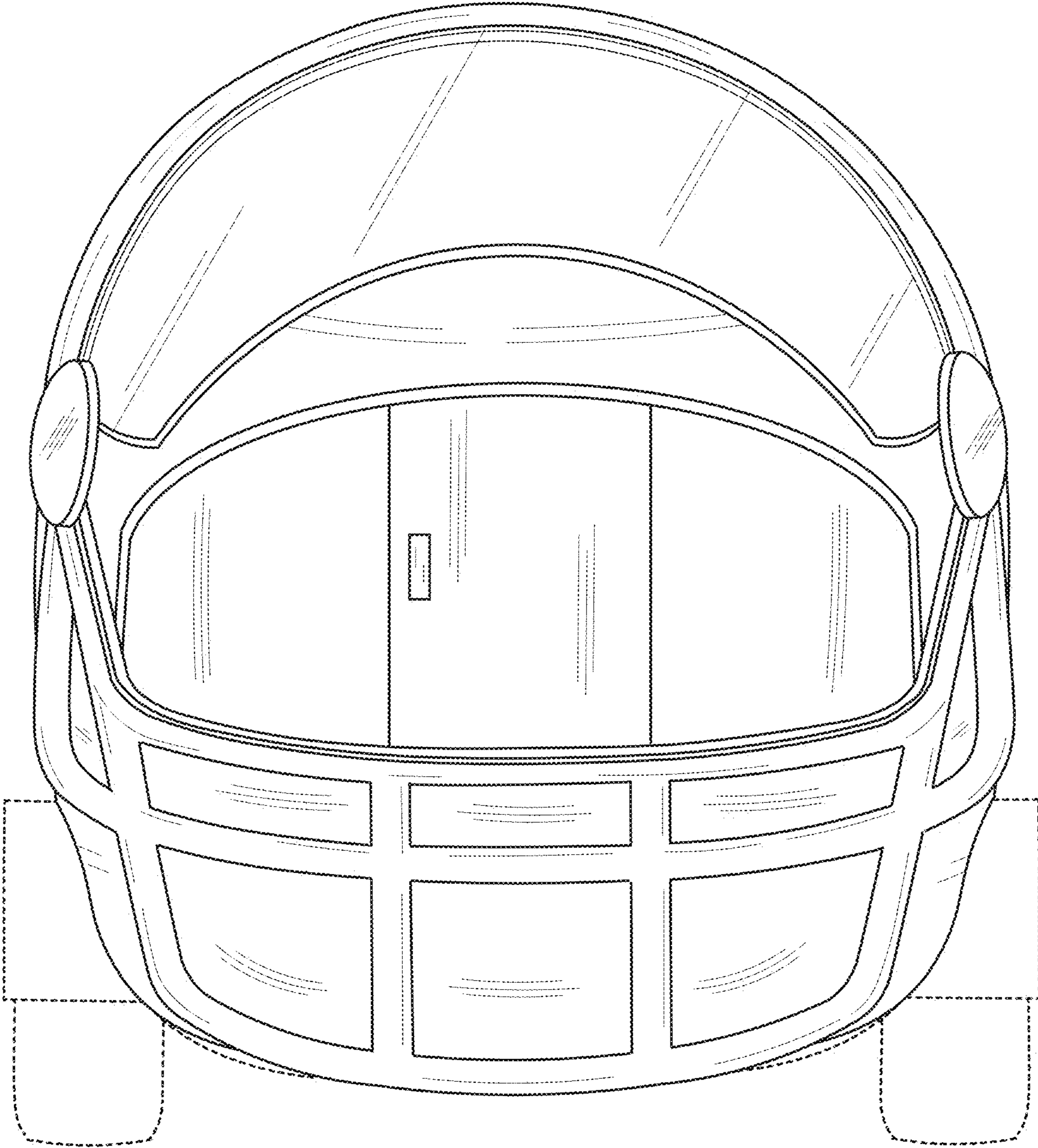


FIG. 5

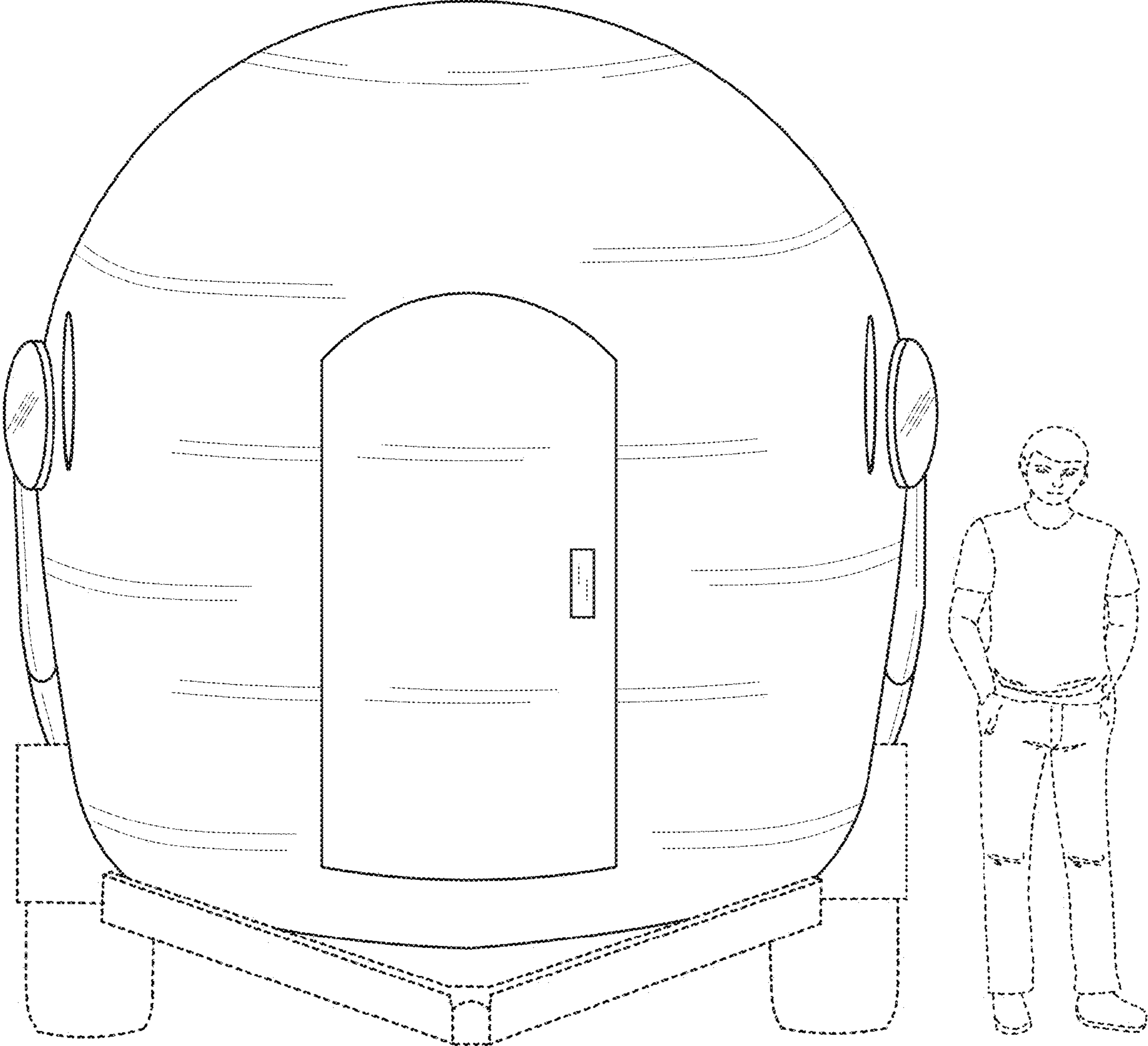


FIG. 6

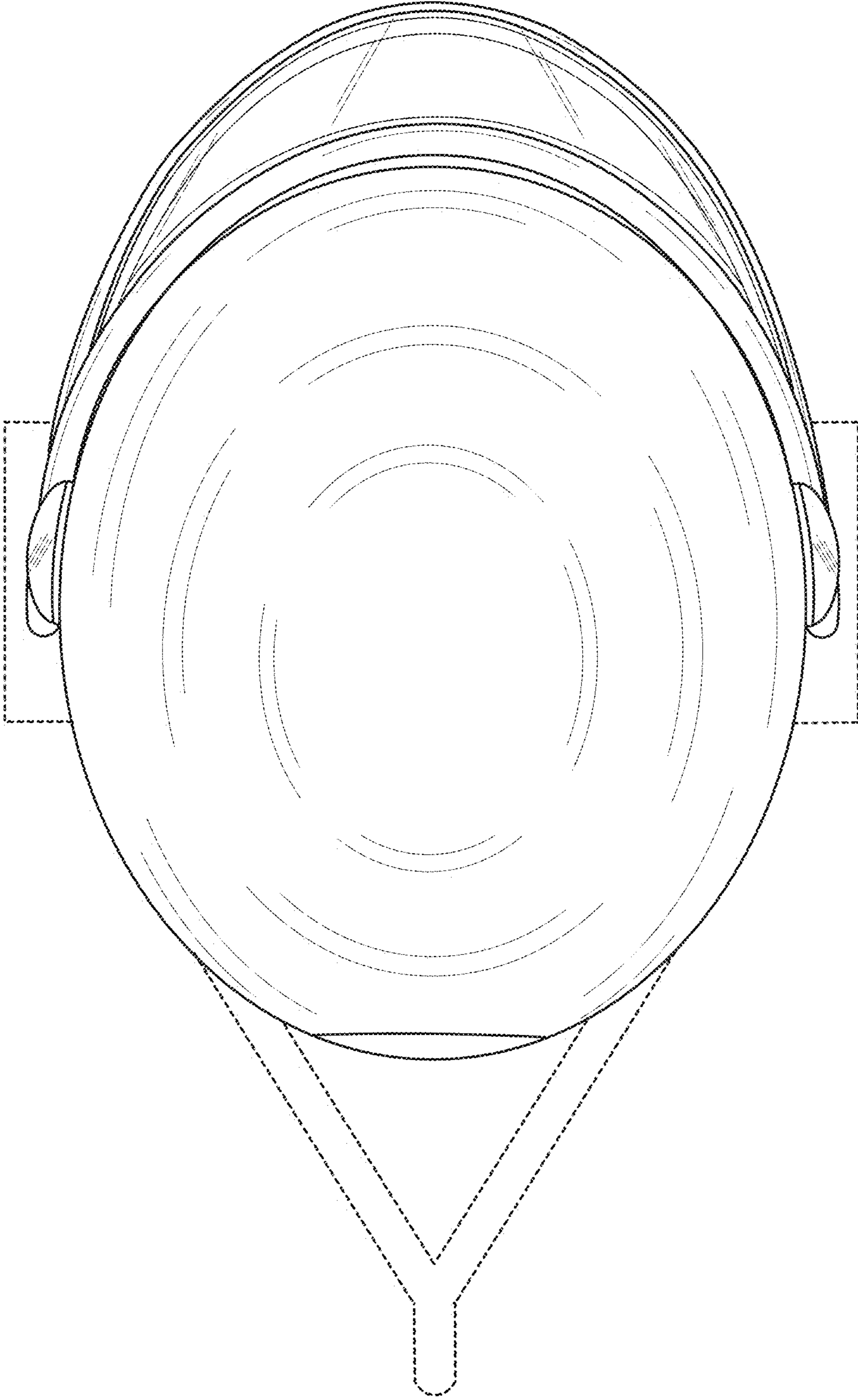


FIG. 7

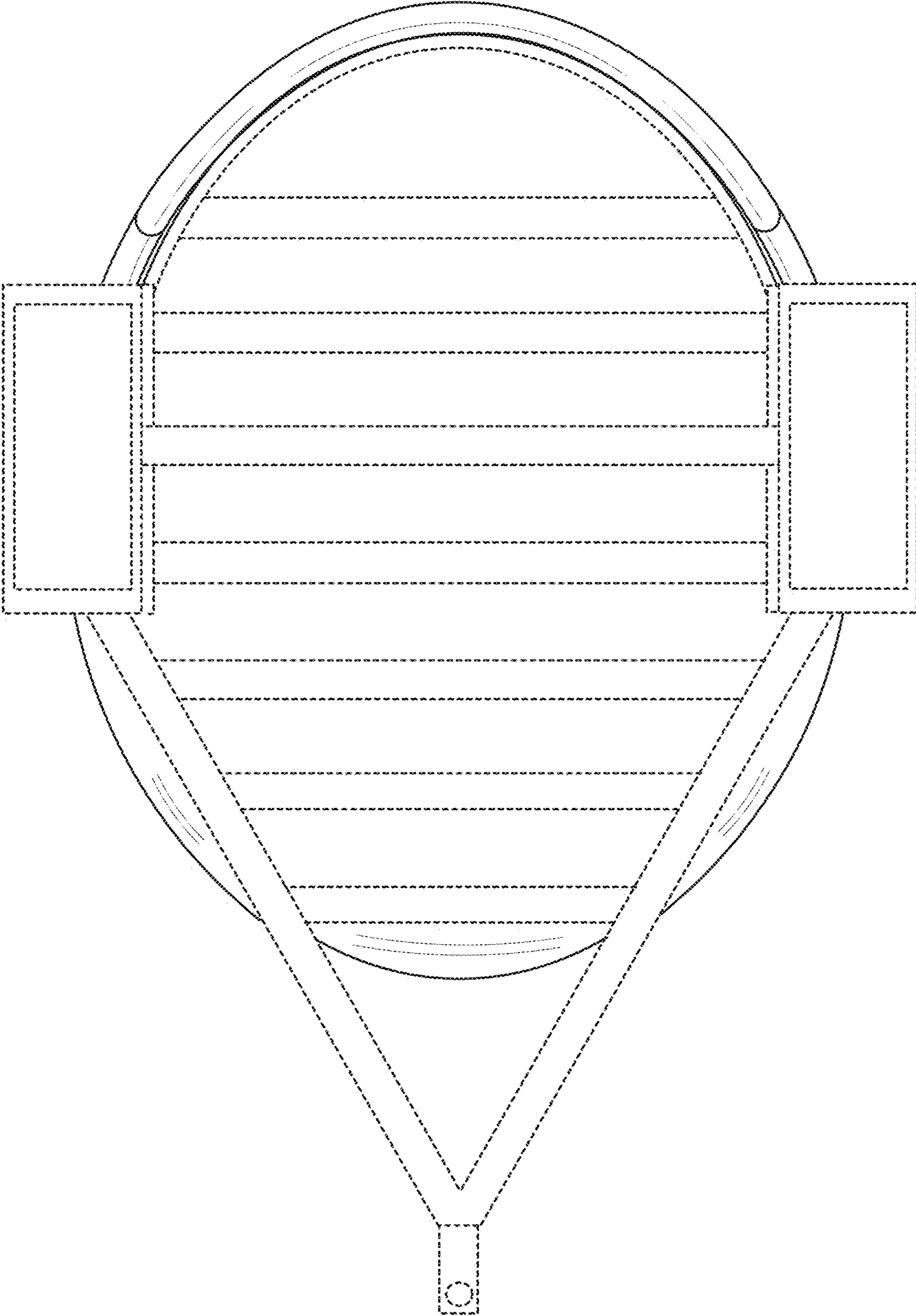


FIG.8

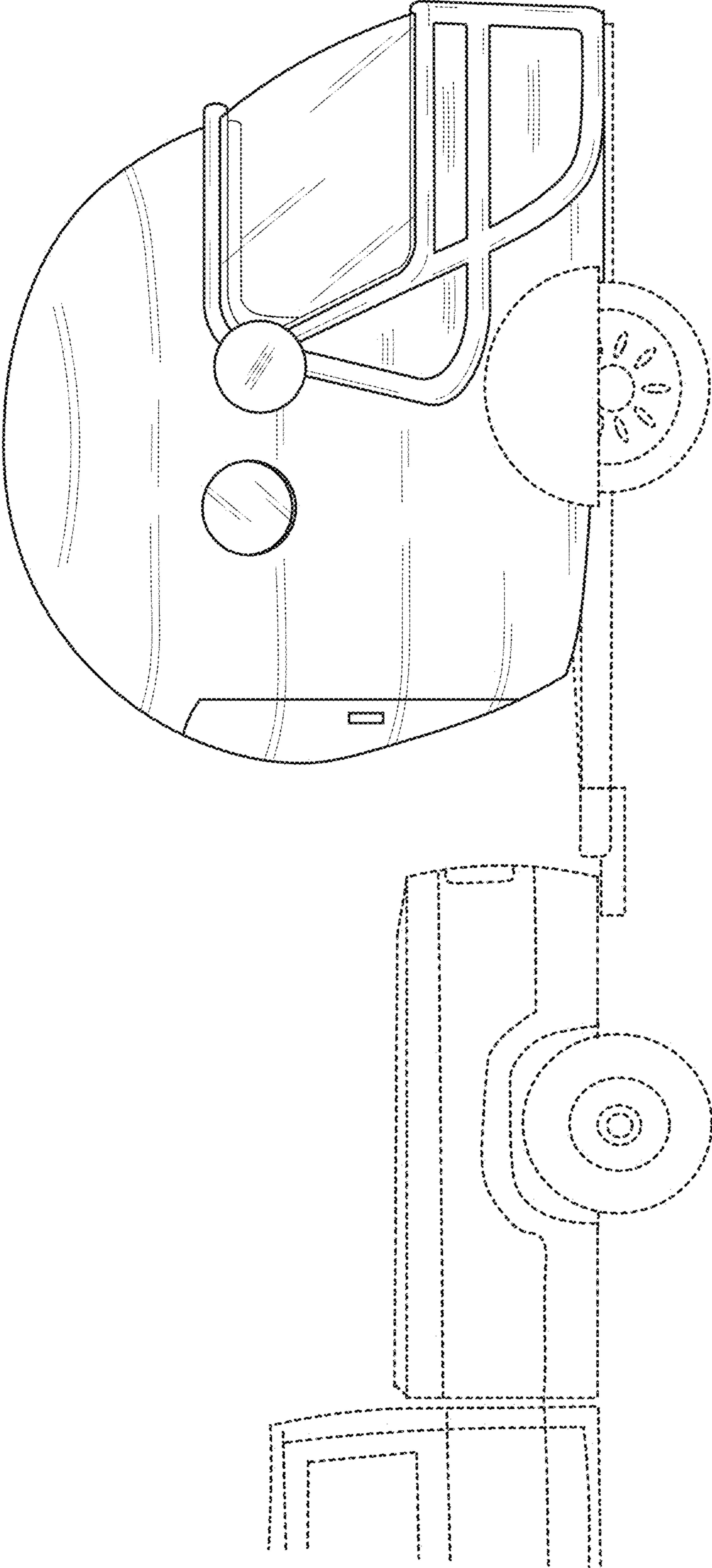


FIG. 9

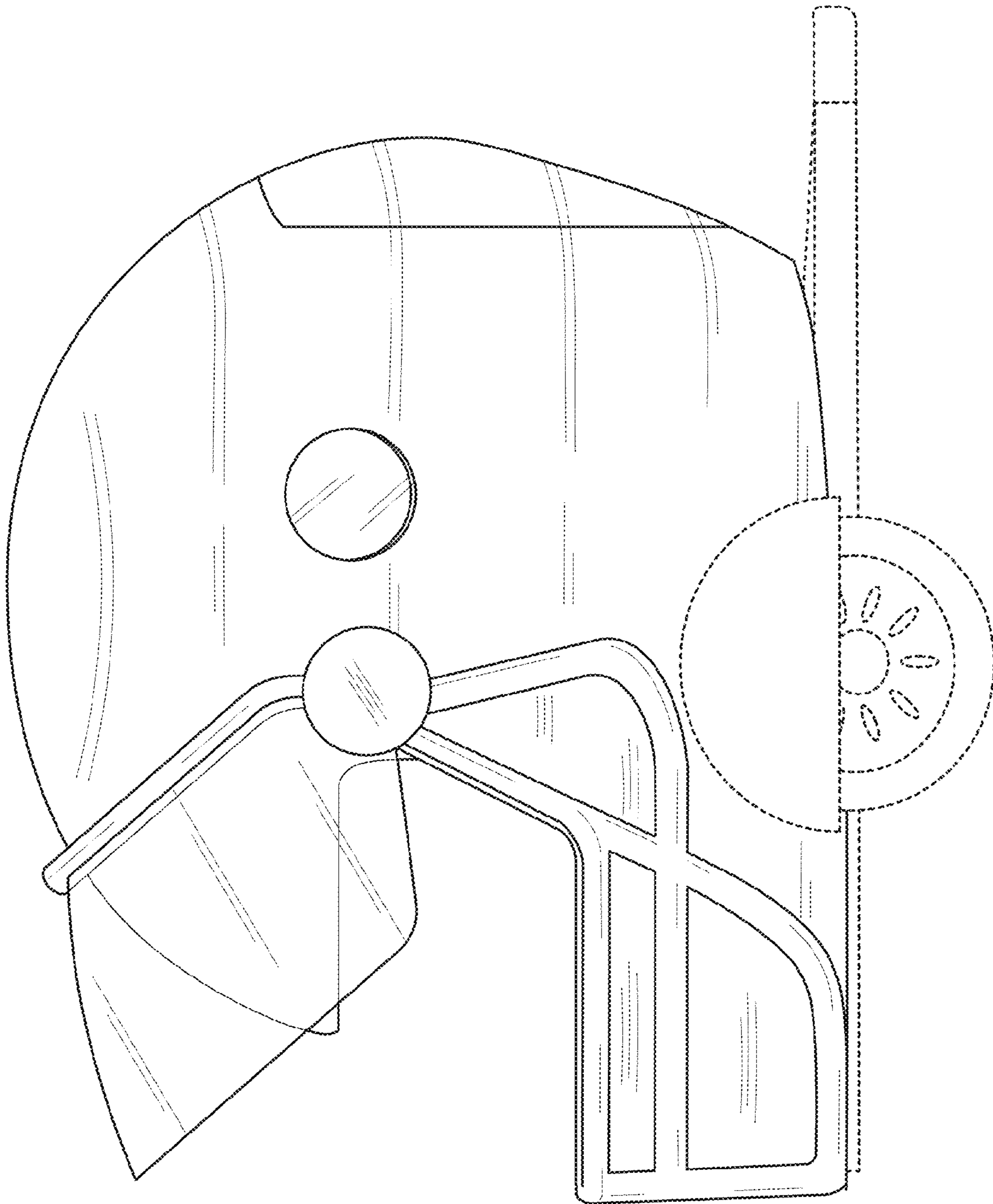


FIG. 10

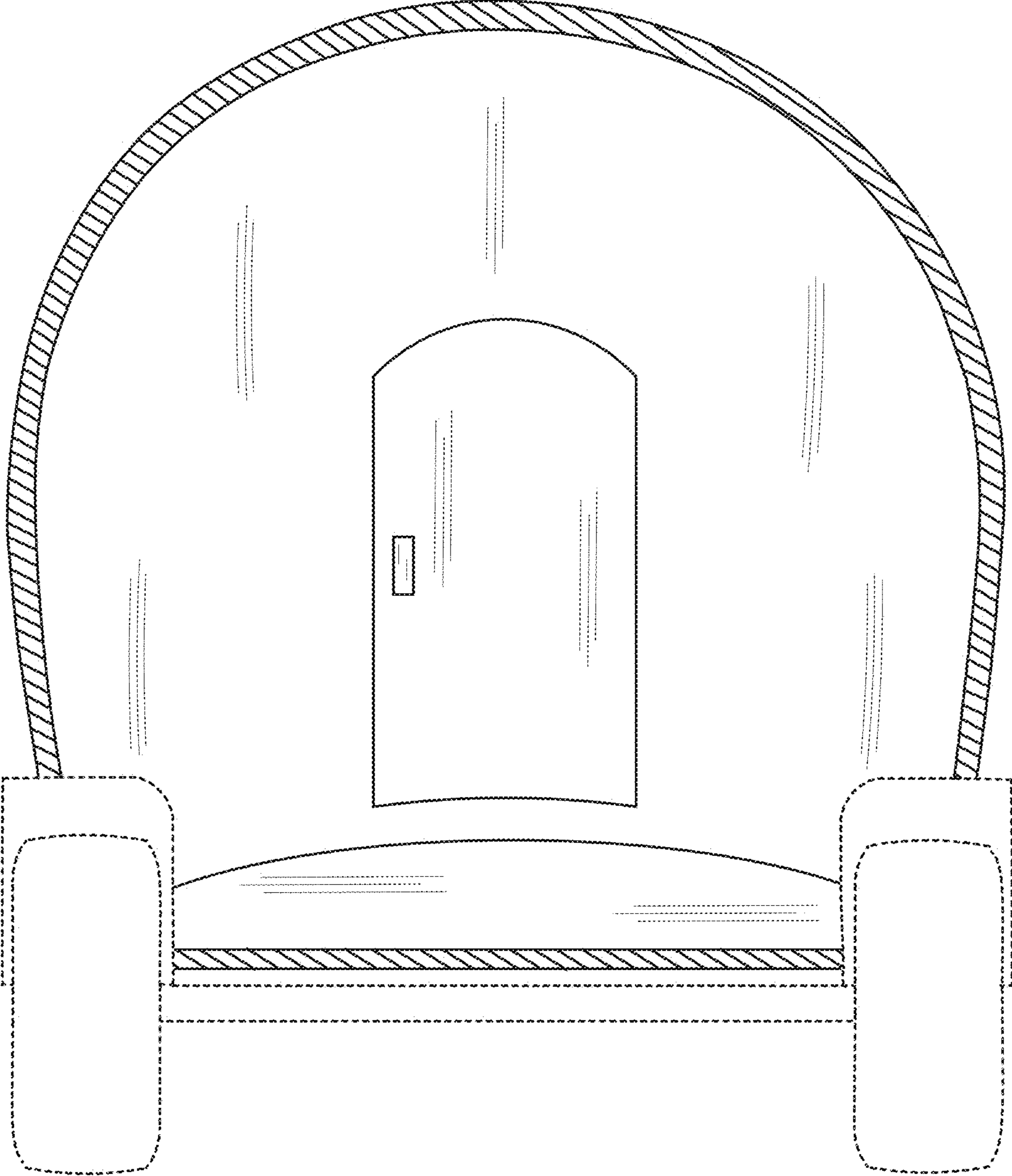


FIG. 11