



US00D955295S

(12) **United States Design Patent**  
**Schwartz et al.**

(10) **Patent No.:** **US D955,295 S**  
(45) **Date of Patent:** **\*\* Jun. 21, 2022**

(54) **VEHICLE CAB**

(71) Applicant: **Shem, LLC**, Highland Park, IL (US)  
(72) Inventors: **Eric Robert Schwartz**, Long Grove, IL (US); **Adam J. Burck**, Glenview, IL (US); **Kyle Allen Ezra**, Birmingham, AL (US); **Herman Edward Steyn**, Richmond, IN (US); **Jon Hull**, Rancho Santa Margarita, CA (US); **Mike Desmond**, Somis, CA (US); **Chris Schuttera**, Ladera Ranch, CA (US); **Gary Ragle**, Cincinnati, OH (US)

(73) Assignee: **Shem, LLC**, Highland Park, IL (US)

(\*\*) Term: **15 Years**

(21) Appl. No.: **29/733,292**

(22) Filed: **Apr. 30, 2020**

(51) **LOC (13) Cl.** ..... **12-08**

(52) **U.S. Cl.**  
USPC ..... **D12/96**

(58) **Field of Classification Search**  
USPC ..... D12/13, 14, 84, 93, 95, 99, 159  
(Continued)

(56) **References Cited**

**U.S. PATENT DOCUMENTS**

2019/0031111 A1\* 1/2019 Roy ..... B60R 9/048  
2019/0225468 A1\* 7/2019 Lemke ..... B62D 33/06  
(Continued)

**OTHER PUBLICATIONS**

Vehicle Cab. (Design—© Questel) orbit.com. [Online PDF compilation of references] 54 pgs. Print Dates Range Dec. 3, 2020-Nov. 5, 2019 [Retrieved Dec. 16, 2021].\*  
(Continued)

*Primary Examiner* — Manpreet S Matharu

*Assistant Examiner* — Suzanne E Tisdell

(74) *Attorney, Agent, or Firm* — Brooks Kushman P.C.

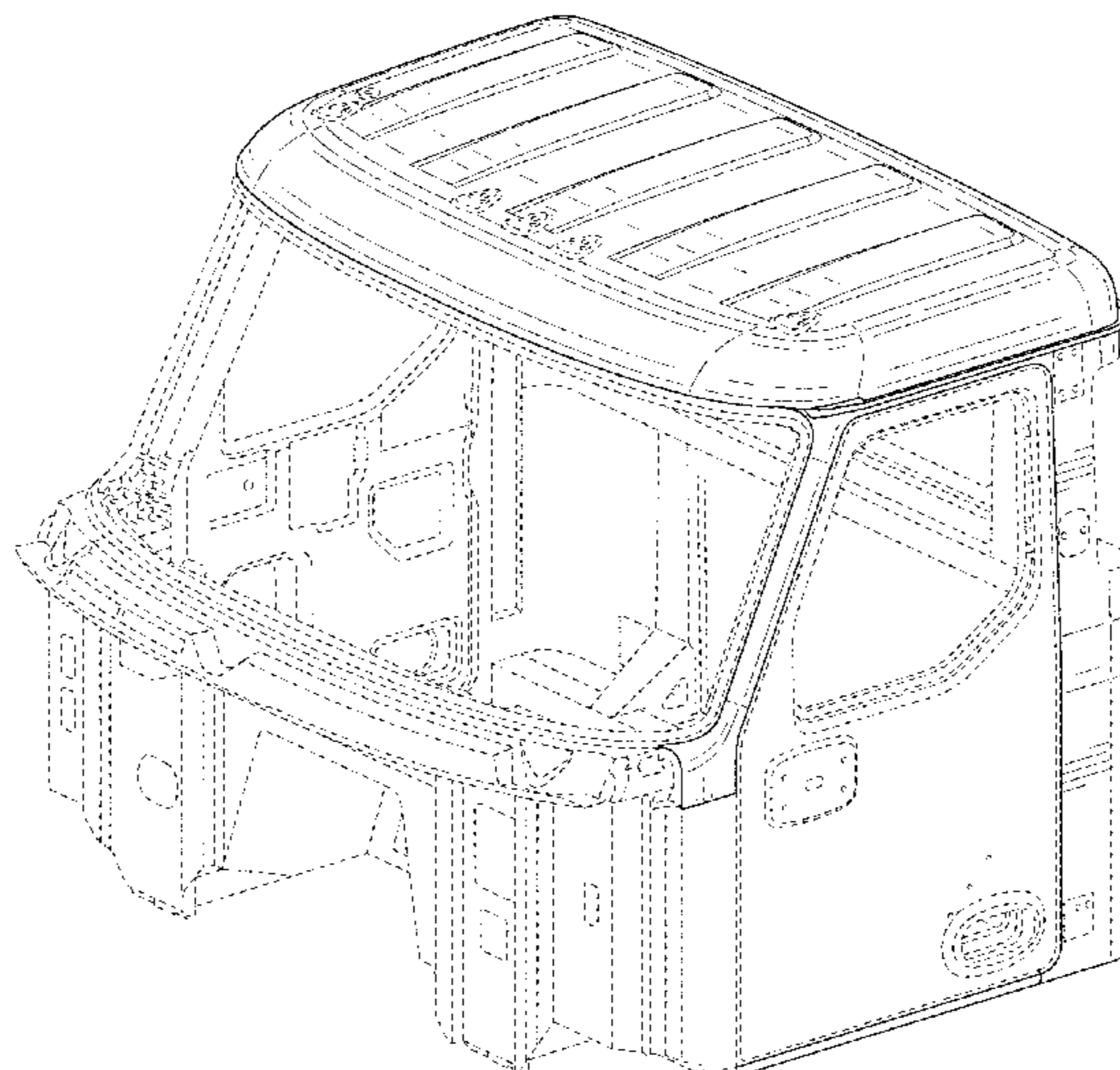
(57) **CLAIM**

The ornamental design for a vehicle cab, as shown and described.

**DESCRIPTION**

FIG. 1 is a front perspective view of a vehicle cab according to an embodiment;  
FIG. 2 is a rear perspective view of the vehicle cab of FIG. 1;  
FIG. 3 is a front view of the vehicle cab of FIG. 1;  
FIG. 4 is a rear view of the vehicle cab of FIG. 1;  
FIG. 5 is a right side view of the vehicle cab of FIG. 1;  
FIG. 6 is a left side view of the vehicle cab of FIG. 1;  
FIG. 7 is a top view of the vehicle cab of FIG. 1;  
FIG. 8 is a bottom view of the vehicle cab of FIG. 1;  
FIG. 9 is a front perspective view of a vehicle cab according to an embodiment;  
FIG. 10 is a rear perspective view of the vehicle cab of FIG. 9;  
FIG. 11 is a front view of the vehicle cab of FIG. 9;  
FIG. 12 is a rear side view of the vehicle cab of FIG. 9;  
FIG. 13 is a right side view of the vehicle cab of FIG. 9;  
FIG. 14 is a left side view of the vehicle cab of FIG. 9;  
FIG. 15 is a top view of the vehicle cab of FIG. 9;  
FIG. 16 is a bottom view of the vehicle cab of FIG. 9;  
FIG. 17 is a front perspective view of a vehicle cab according to an embodiment;  
FIG. 18 is a rear perspective view of the vehicle cab of FIG. 17;  
FIG. 19 is a front view of the vehicle cab of FIG. 17;  
FIG. 20 is a rear view of the vehicle cab of FIG. 17;  
FIG. 21 is a right side view of the vehicle cab of FIG. 17;  
FIG. 22 is a left side view of the vehicle cab of FIG. 17;  
FIG. 23 is a top view of the vehicle cab of FIG. 17; and,  
FIG. 24 is a bottom view of the vehicle cab of FIG. 17.  
The broken lines are for illustrative purposes only and form no part of the claimed design.

**1 Claim, 24 Drawing Sheets**



(58) **Field of Classification Search**

CPC ..... B62D 33/06; B62D 33/07; B62D 25/04;  
B62D 25/06; B62D 25/08; B60P 3/34;  
H04N 5/2253; B60Q 1/04; B60Q 1/24;  
B60K 1/04; B60W 30/0956; B60R 9/048  
See application file for complete search history.

(56) **References Cited**

U.S. PATENT DOCUMENTS

2019/0345689 A1\* 11/2019 Tatsuta ..... B62D 25/04  
2020/0086796 A1\* 3/2020 Berne ..... B60Q 1/24  
2020/0086865 A1\* 3/2020 Machay ..... B60W 30/0956  
2020/0122661 A1\* 4/2020 Pawlowski ..... B60K 1/04  
2020/0156712 A1\* 5/2020 Hermann ..... B60Q 1/04  
2020/0238908 A1\* 7/2020 Berne ..... H04N 5/2253  
2020/0255068 A1\* 8/2020 De Smidt ..... B62D 33/077  
2020/0346697 A1\* 11/2020 Schwalbe ..... B62D 25/08  
2021/0070215 A1\* 3/2021 McCoy, Jr. .... B60P 3/34  
2021/0237662 A1\* 8/2021 Berne ..... B62D 33/06  
2021/0387682 A1\* 12/2021 Kim ..... B62D 33/07

OTHER PUBLICATIONS

Duncan, Tamara. "Lake Saint Louis Firetruck's Cab Lift Malfunctions." Jul. 7, 2016. 70 West Sentinel. <https://www.70westsentinel.com/lake-saint-louis-firetrucks-cab-lift-malfunctions/>.\*

"KME Severe Service Split Tilt Cab Fire Truck Demo." 2019. Bulldog Fire and Emergency Apparatus. <https://www.bulldogfireapparatus.com/listings/stop-by-our-facility-to-see-our-kme-severe-service-split-tilt-cab-fire-truck-demo/>.\*

"Seagrave Attacker." Aug. 2020. Seagrave. <https://seagrave.com/Portals/0/Attacker%209-10-20.pdf>.\*

\* cited by examiner

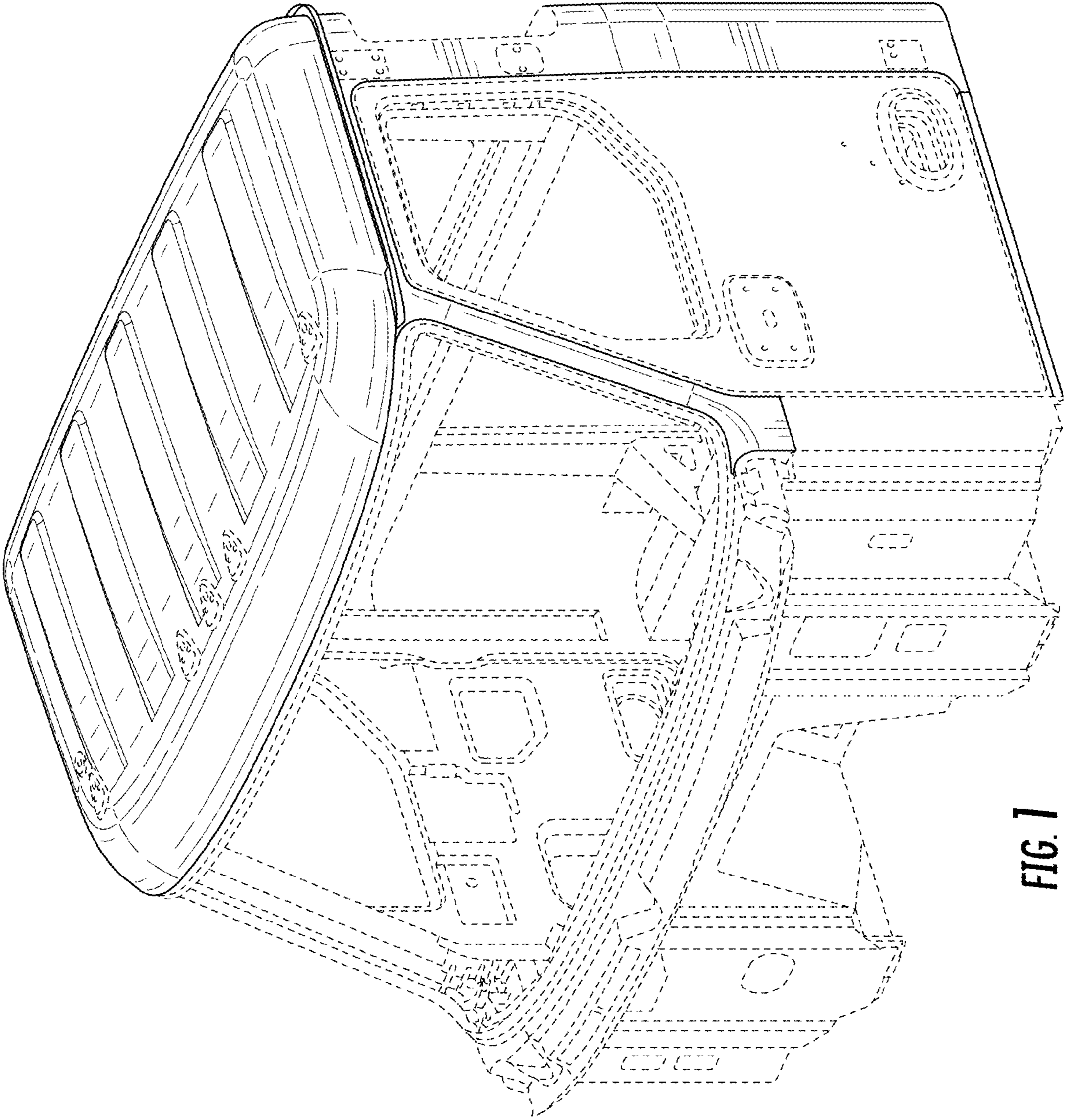


FIG. 1

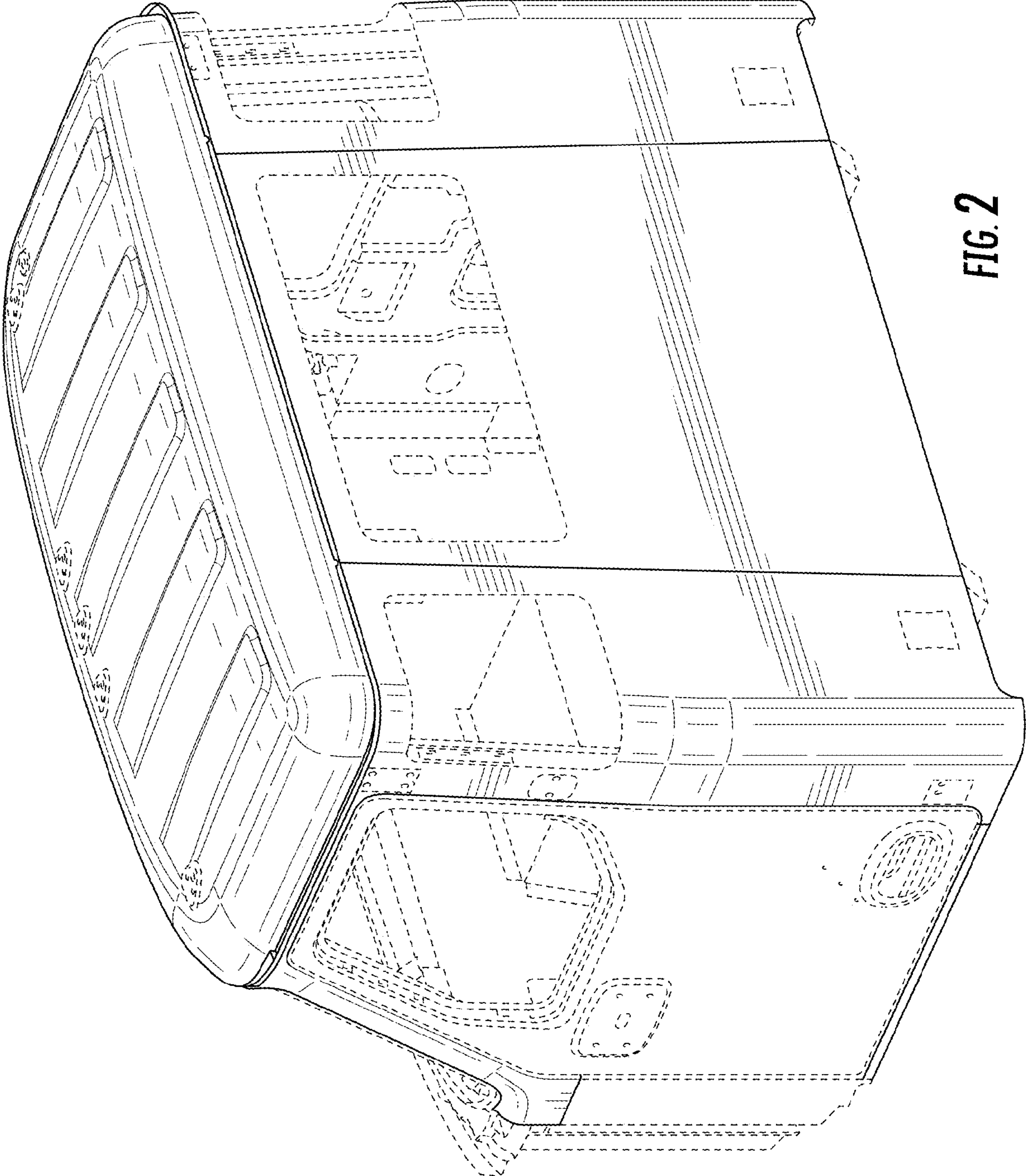


FIG. 2

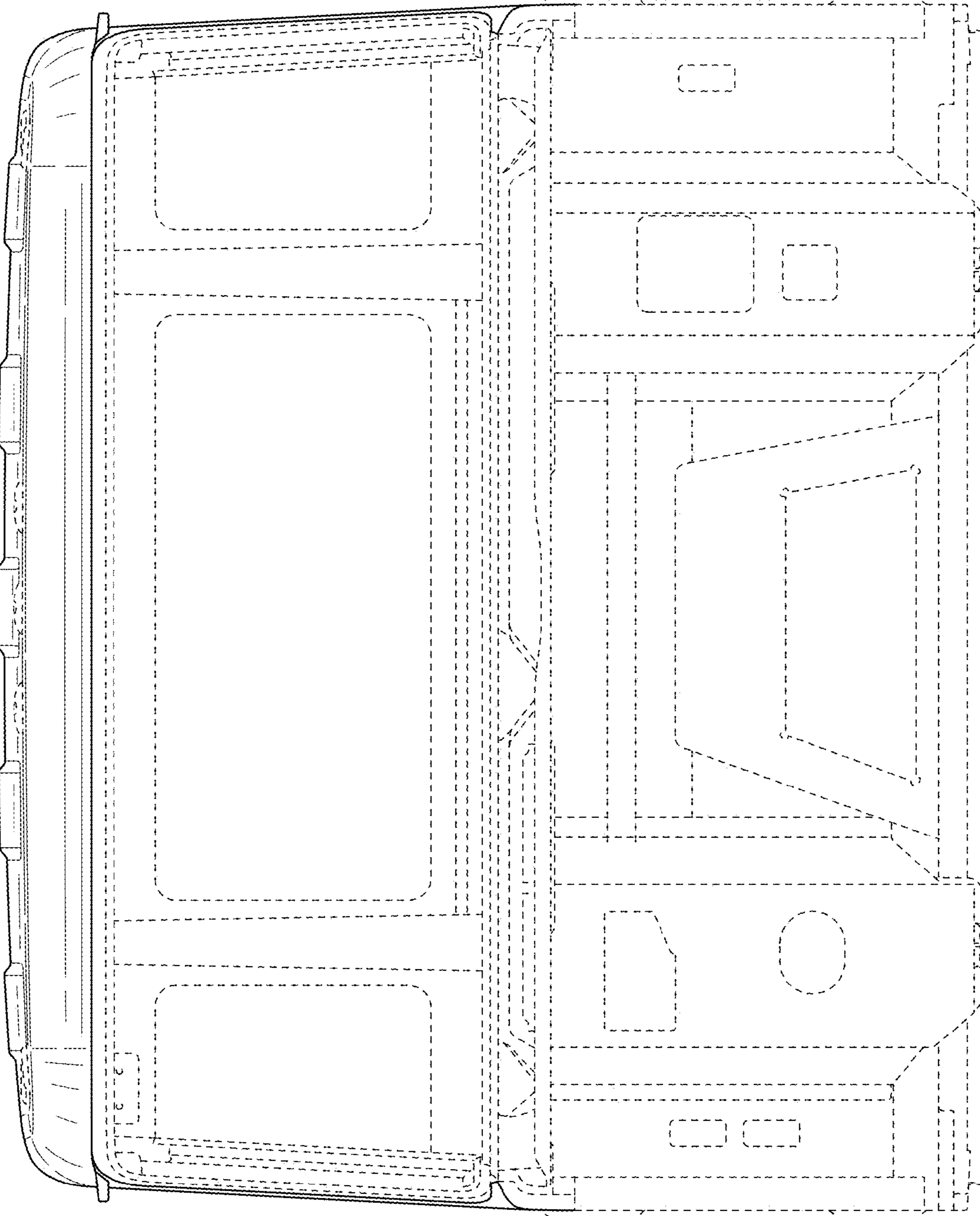


FIG. 3

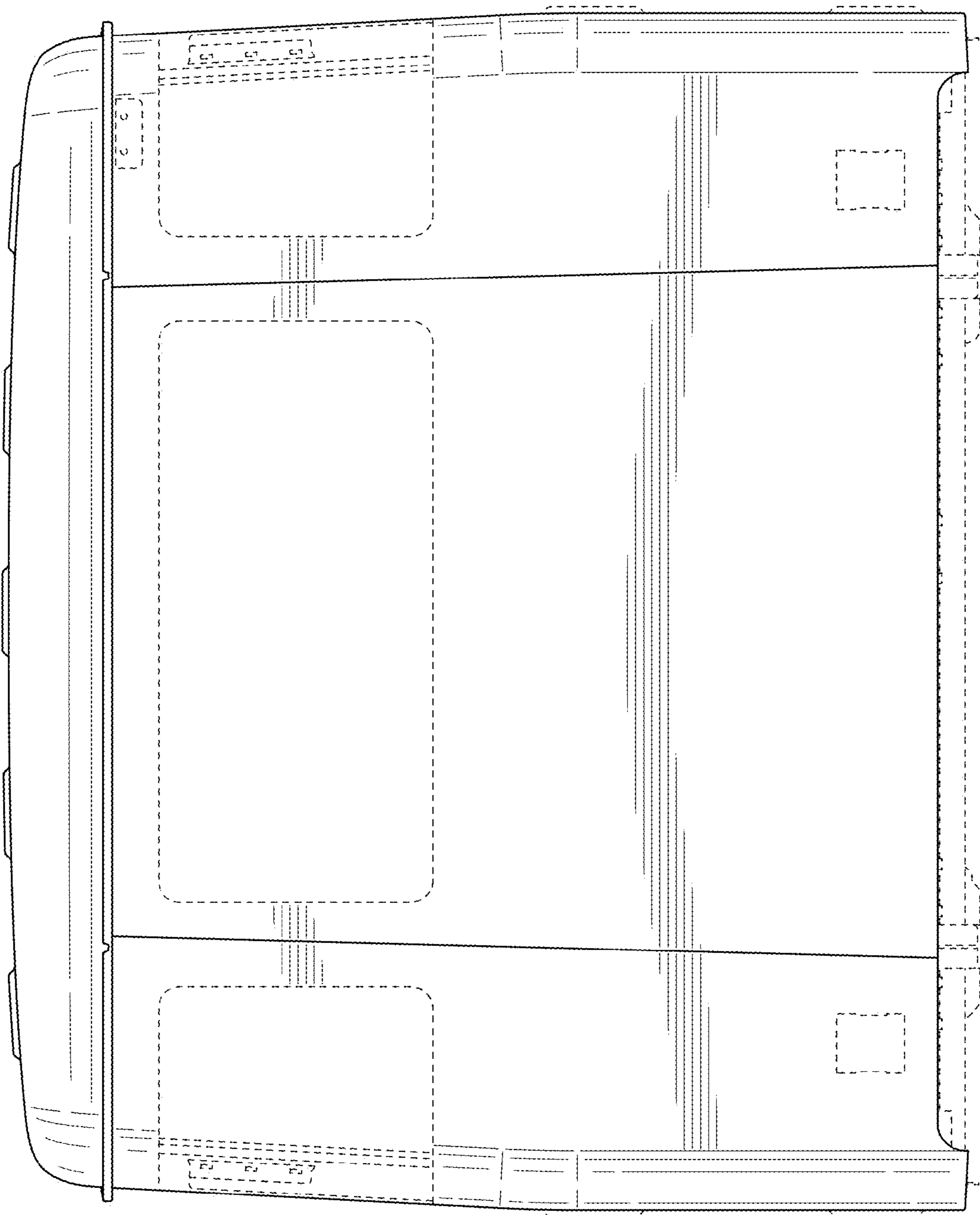


FIG. 4

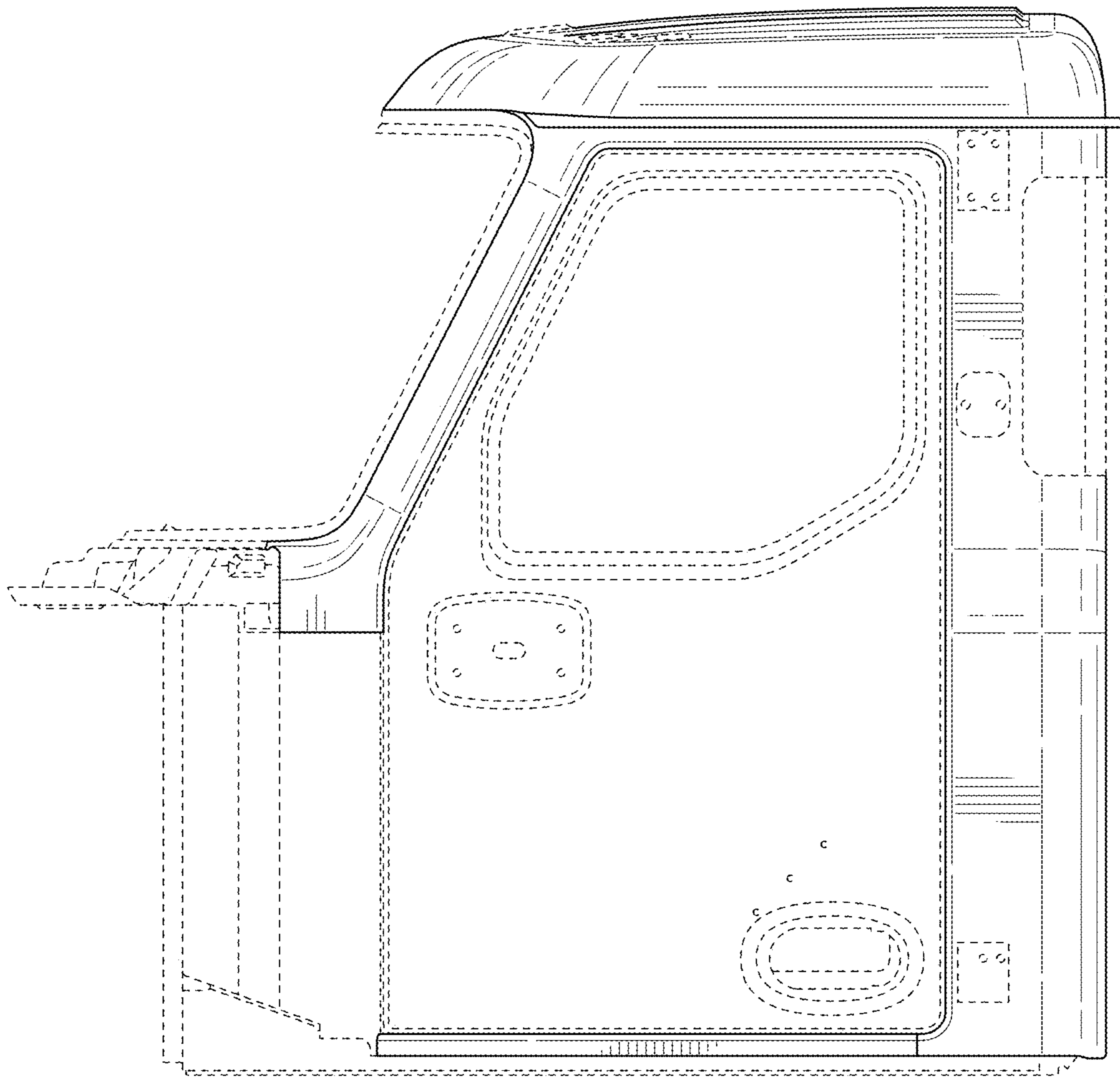
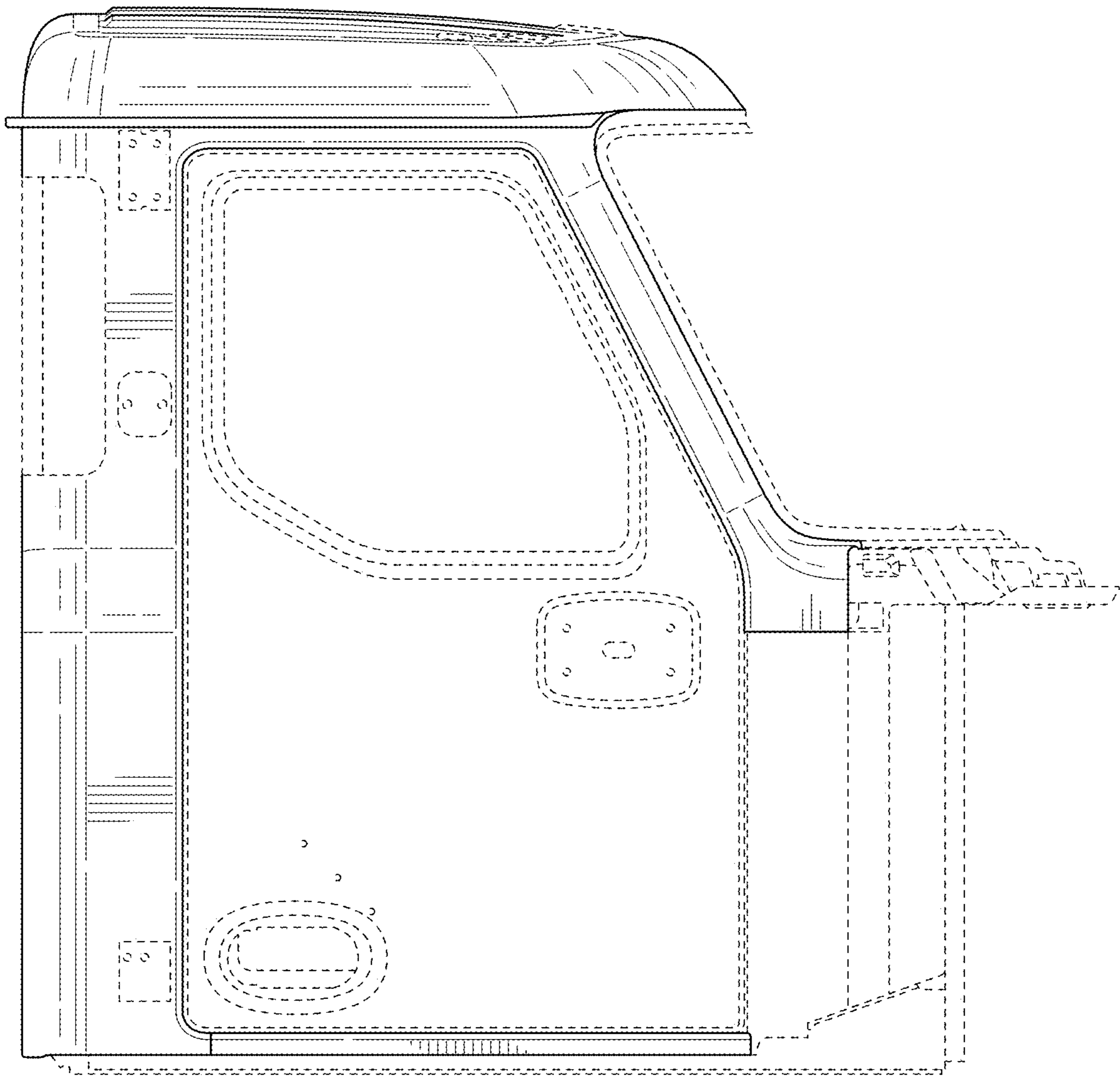


FIG. 5



**FIG. 6**



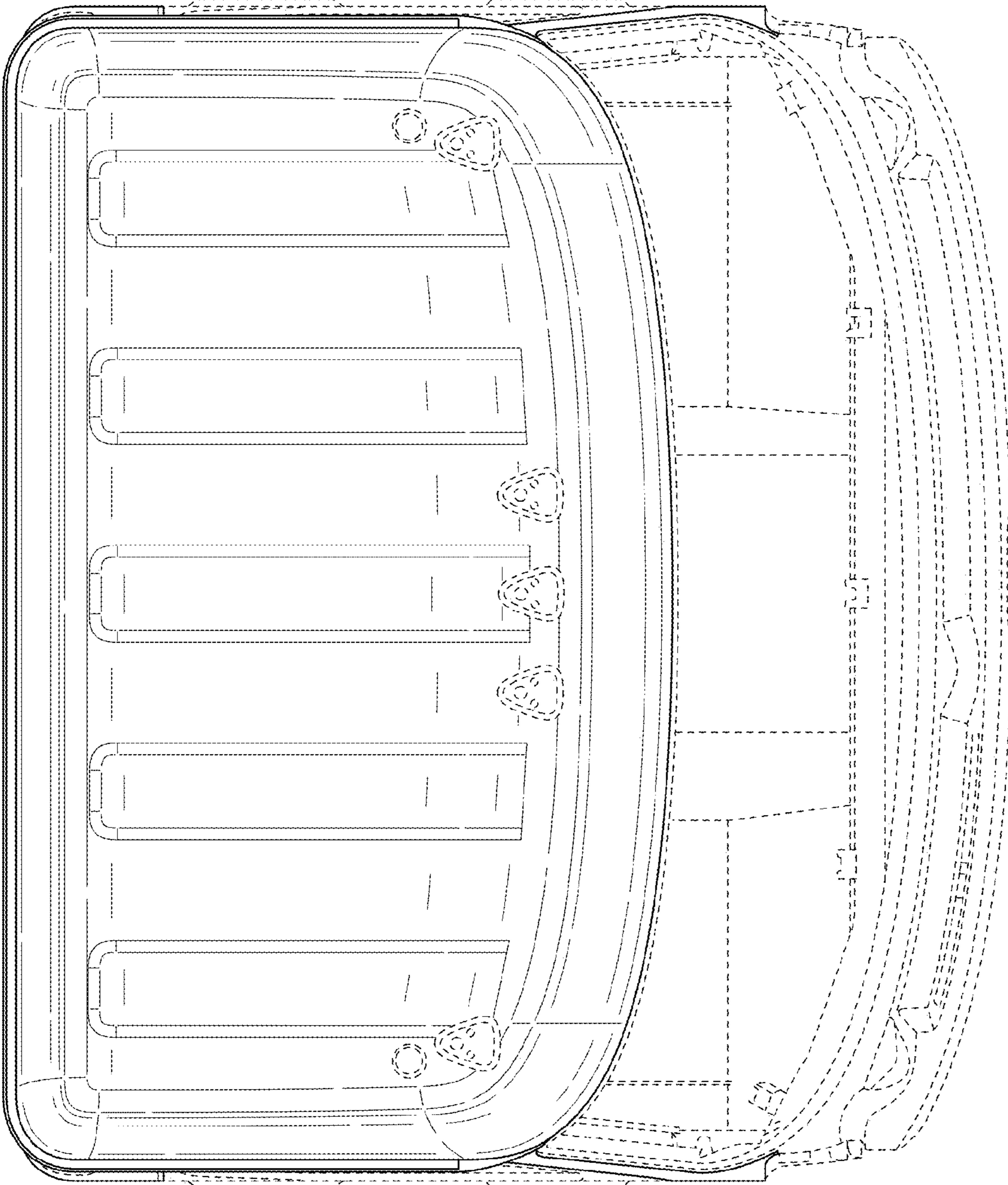


FIG. 7

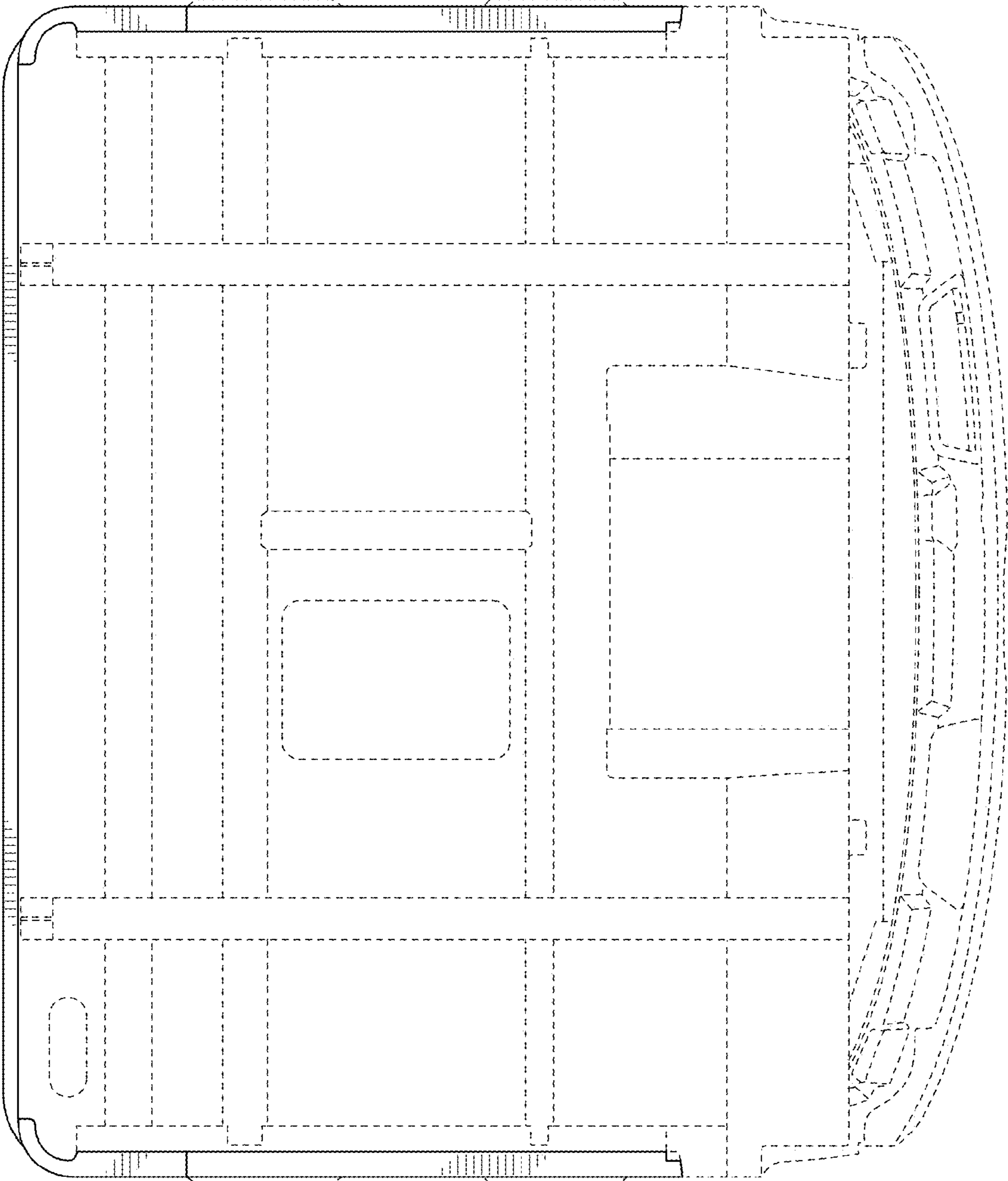


FIG. 8

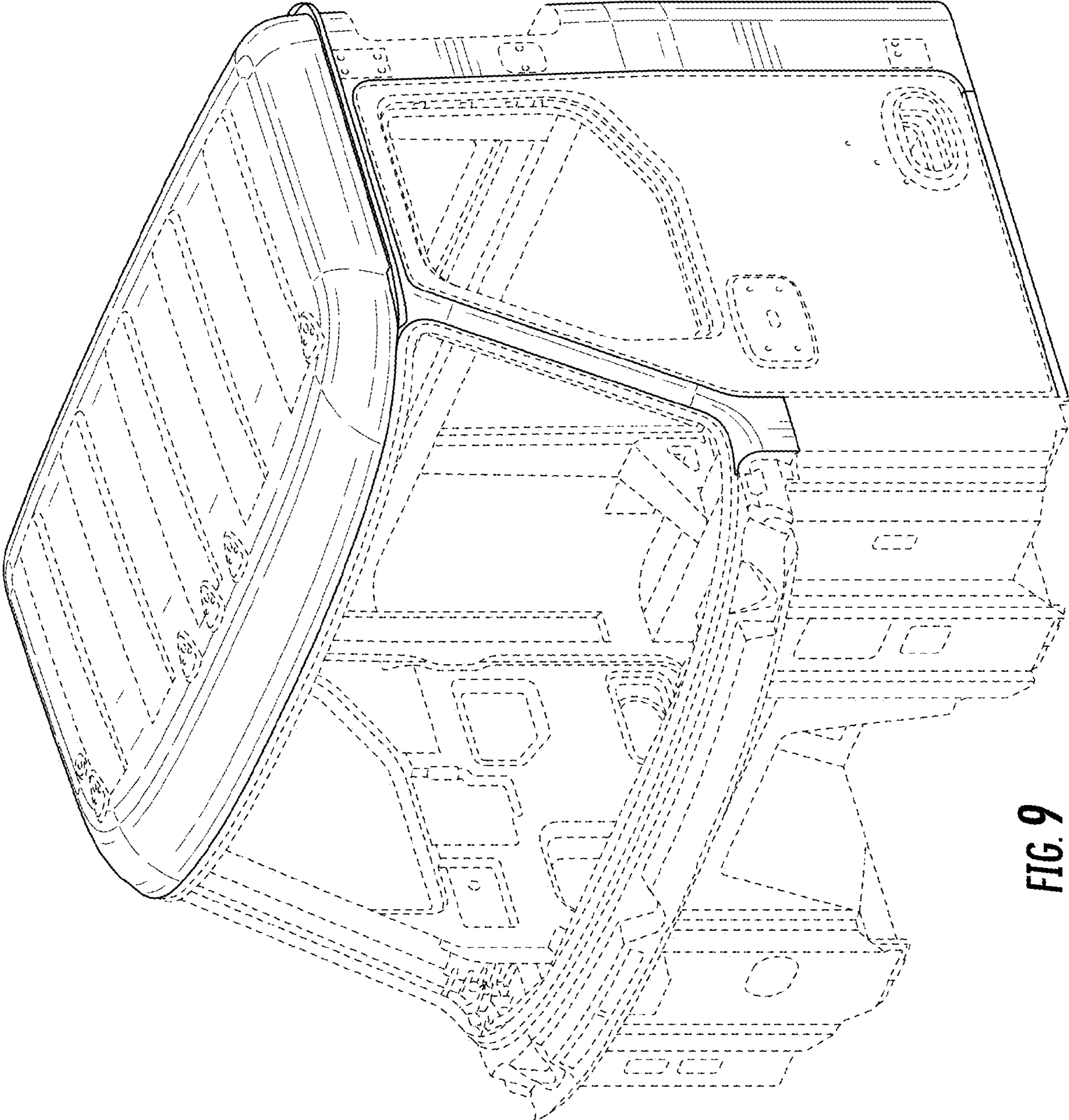


FIG. 9

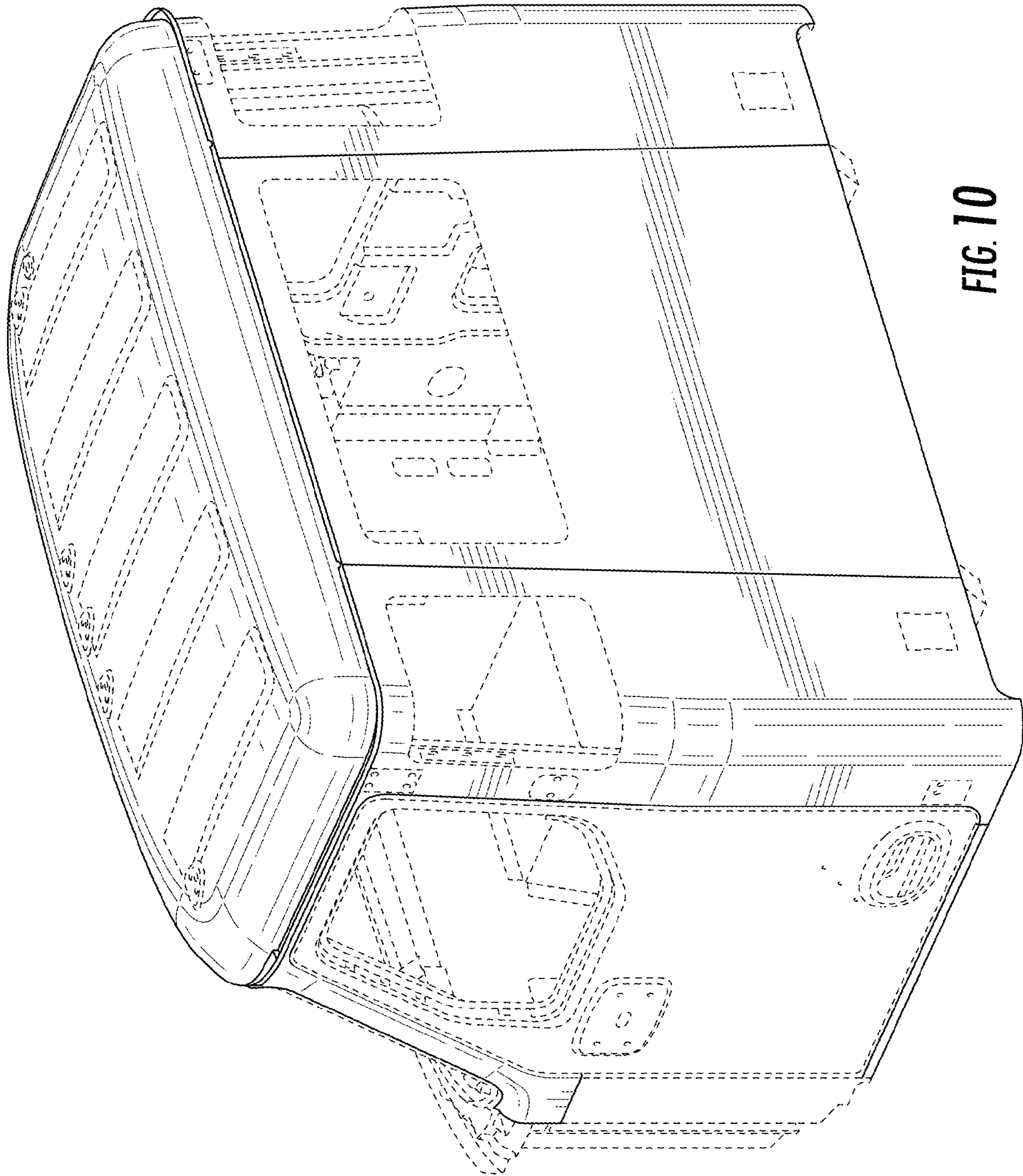


FIG. 10

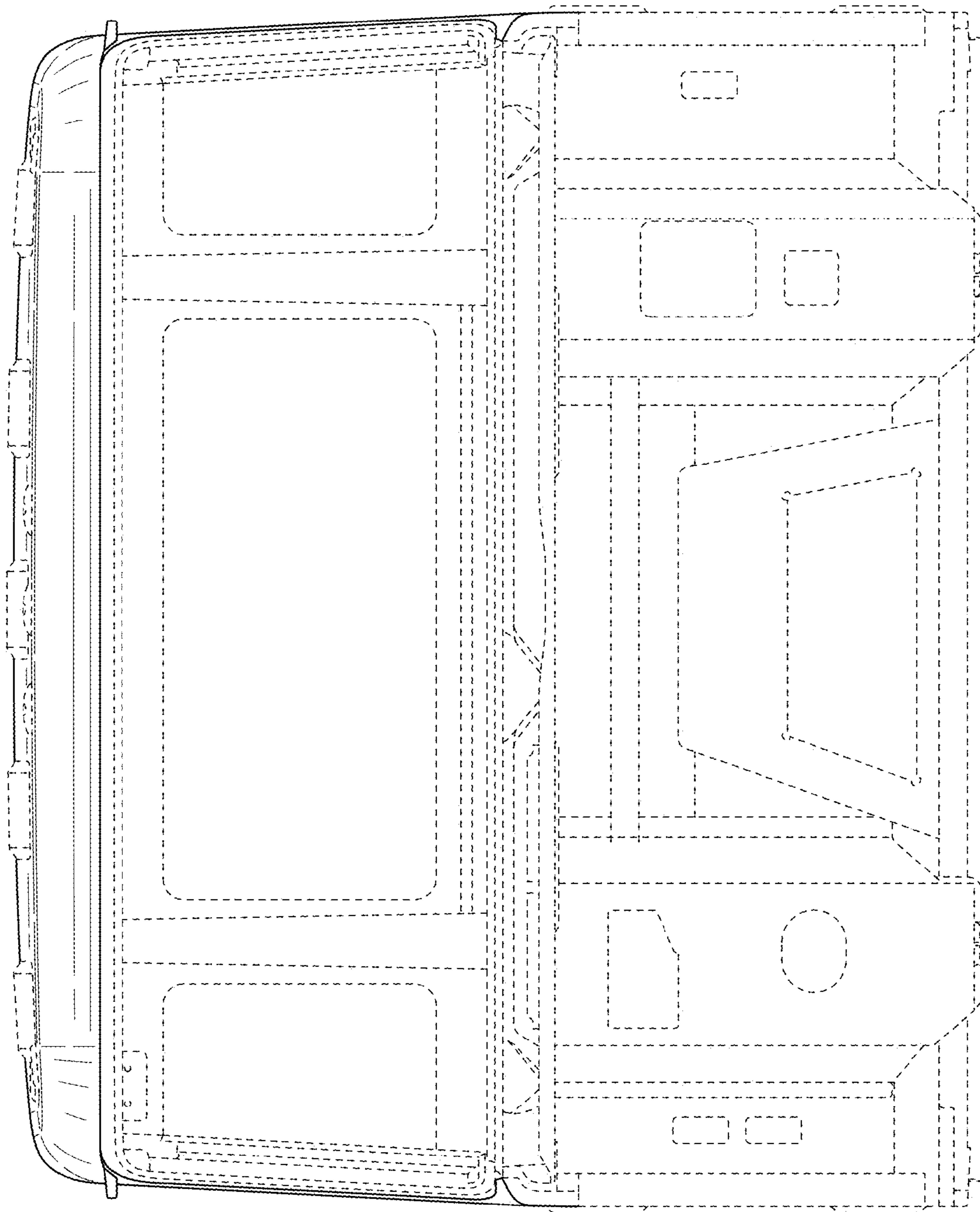


FIG. 11

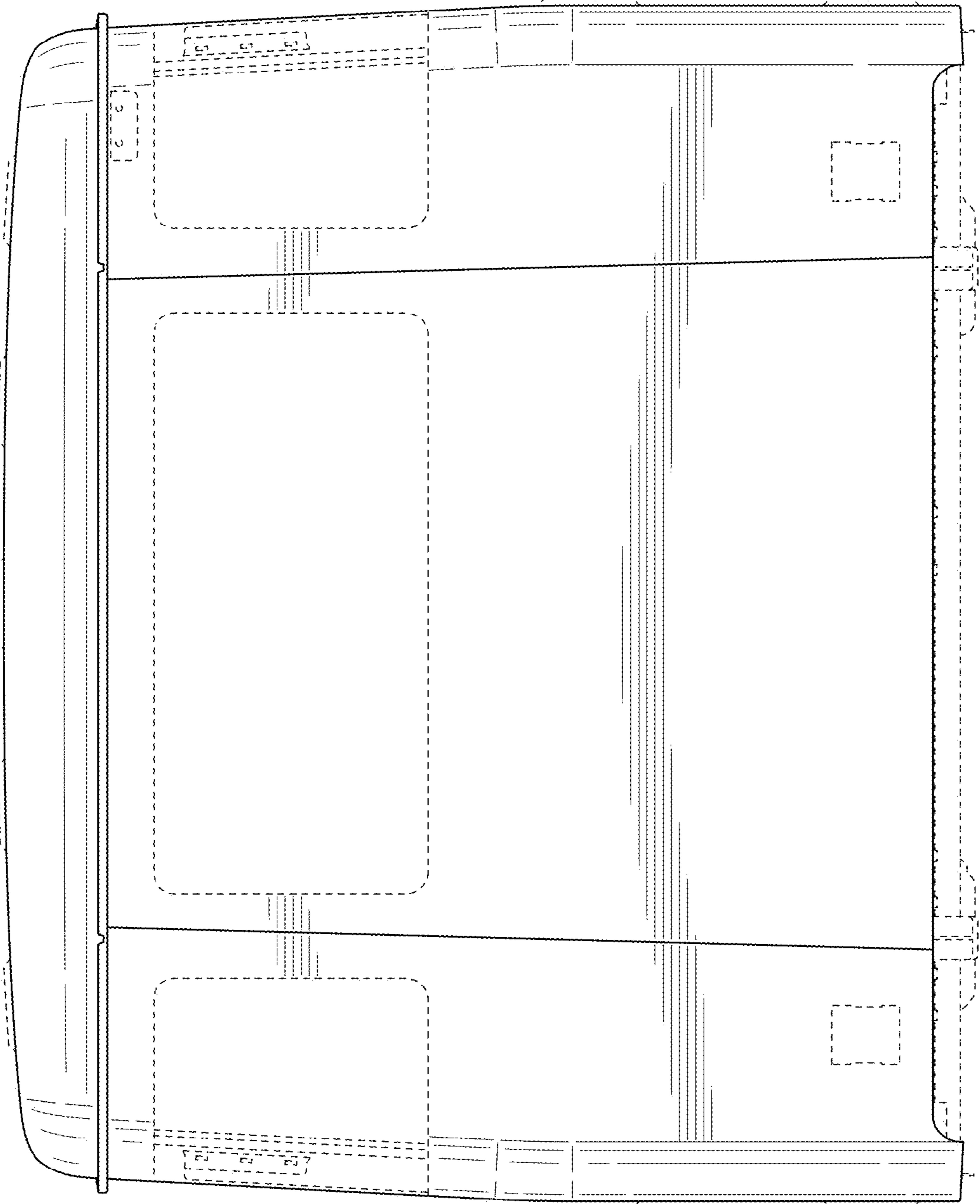
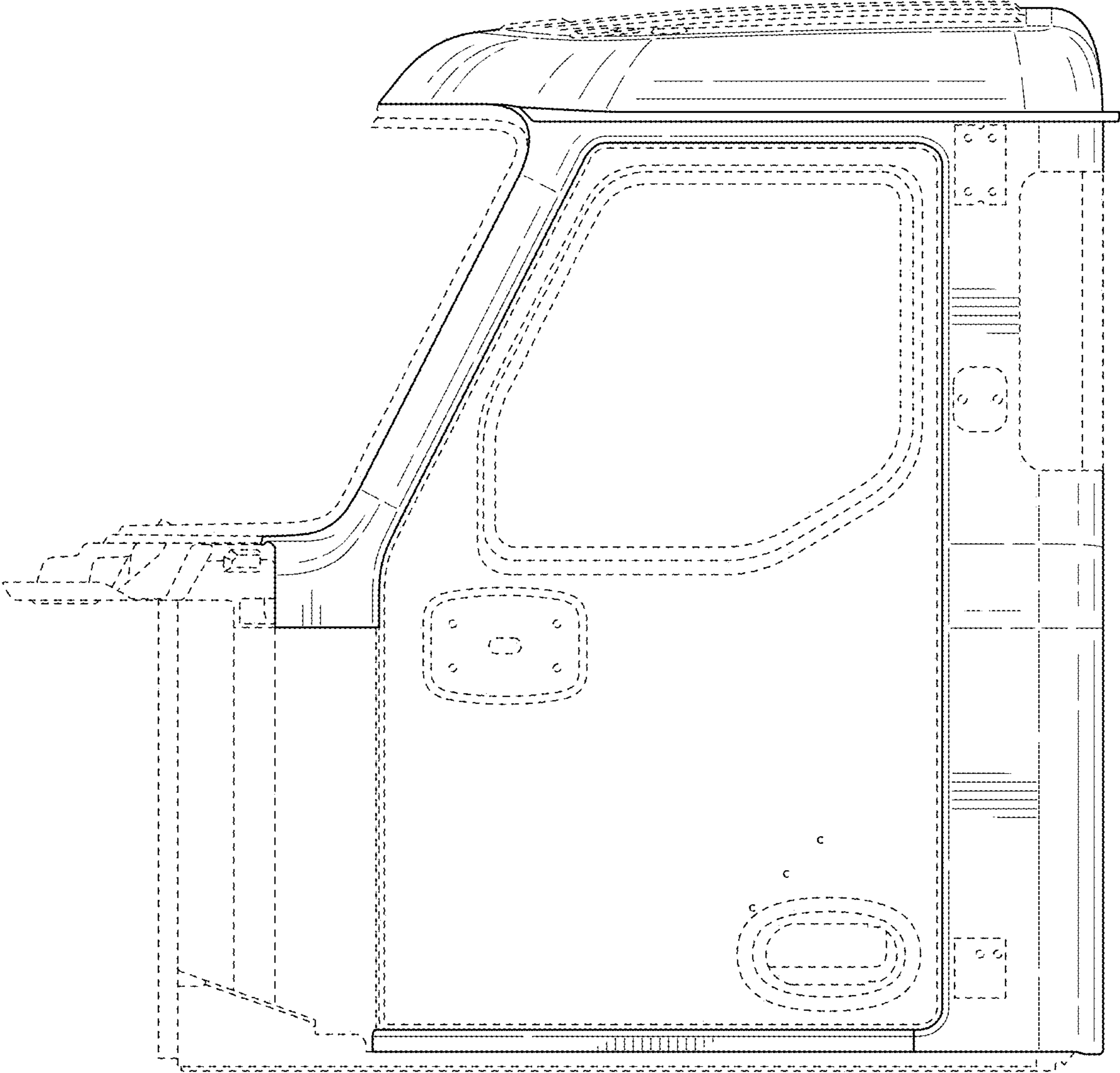
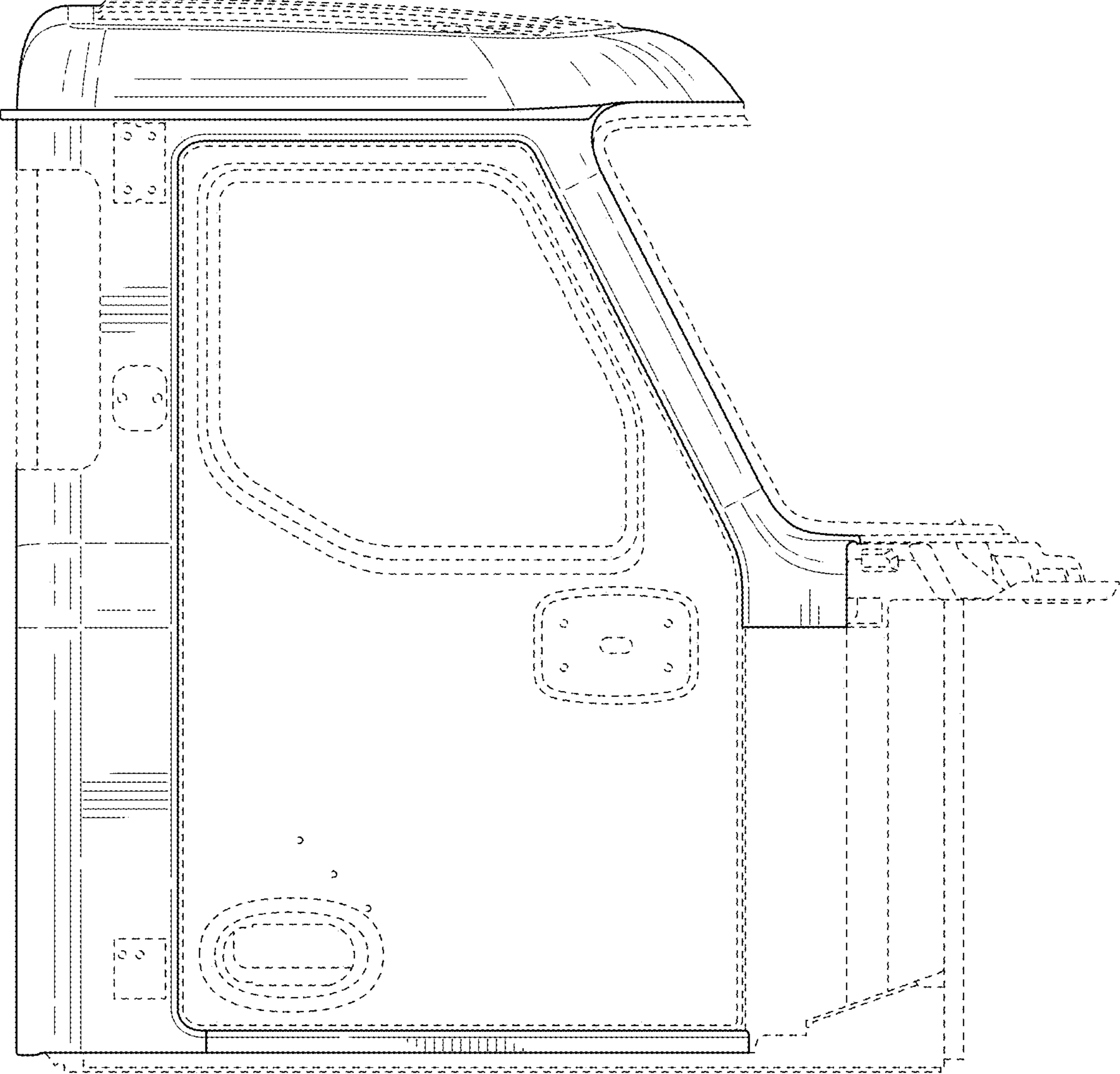


FIG. 12



**FIG. 13**



**FIG. 14**



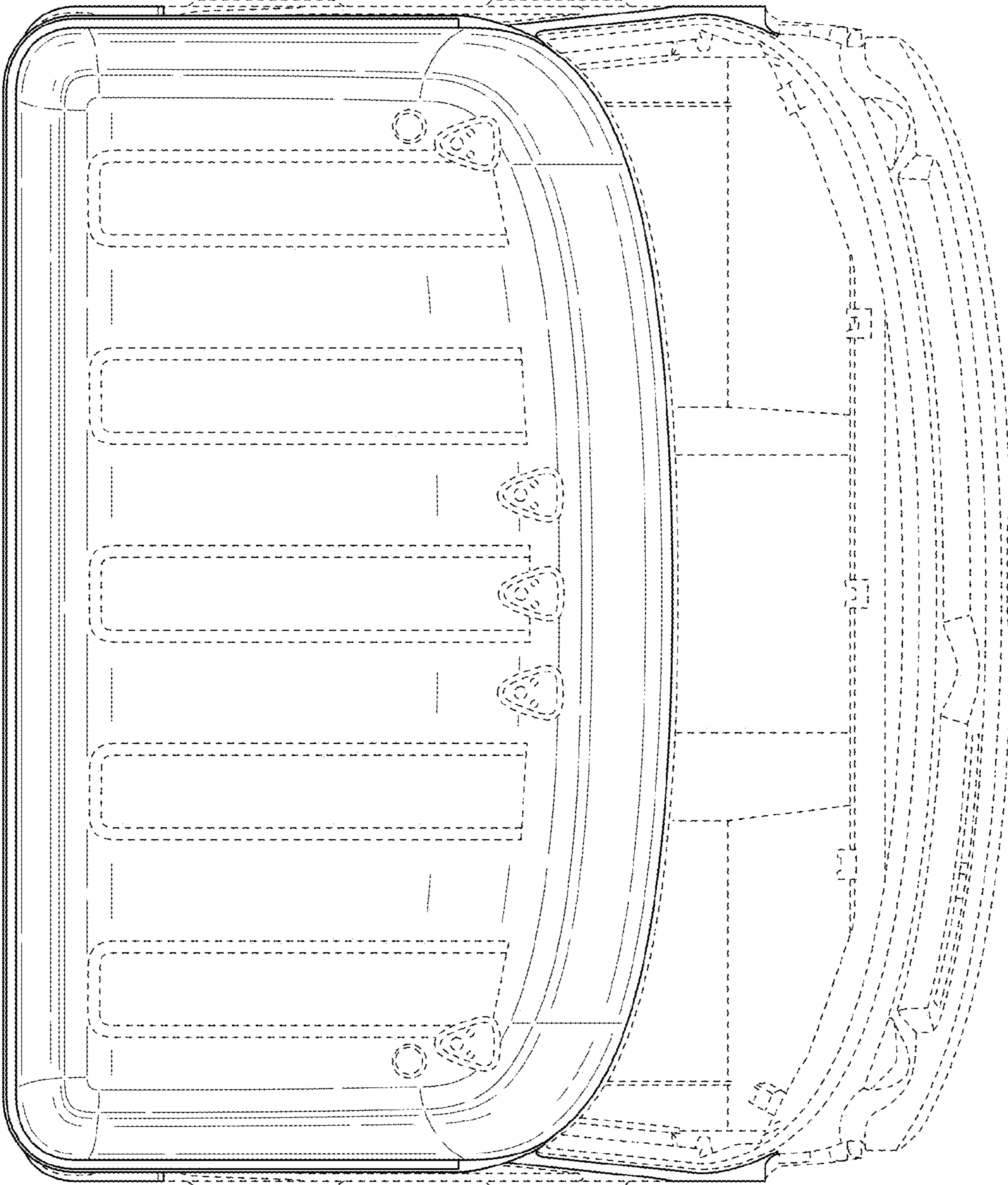


FIG. 15

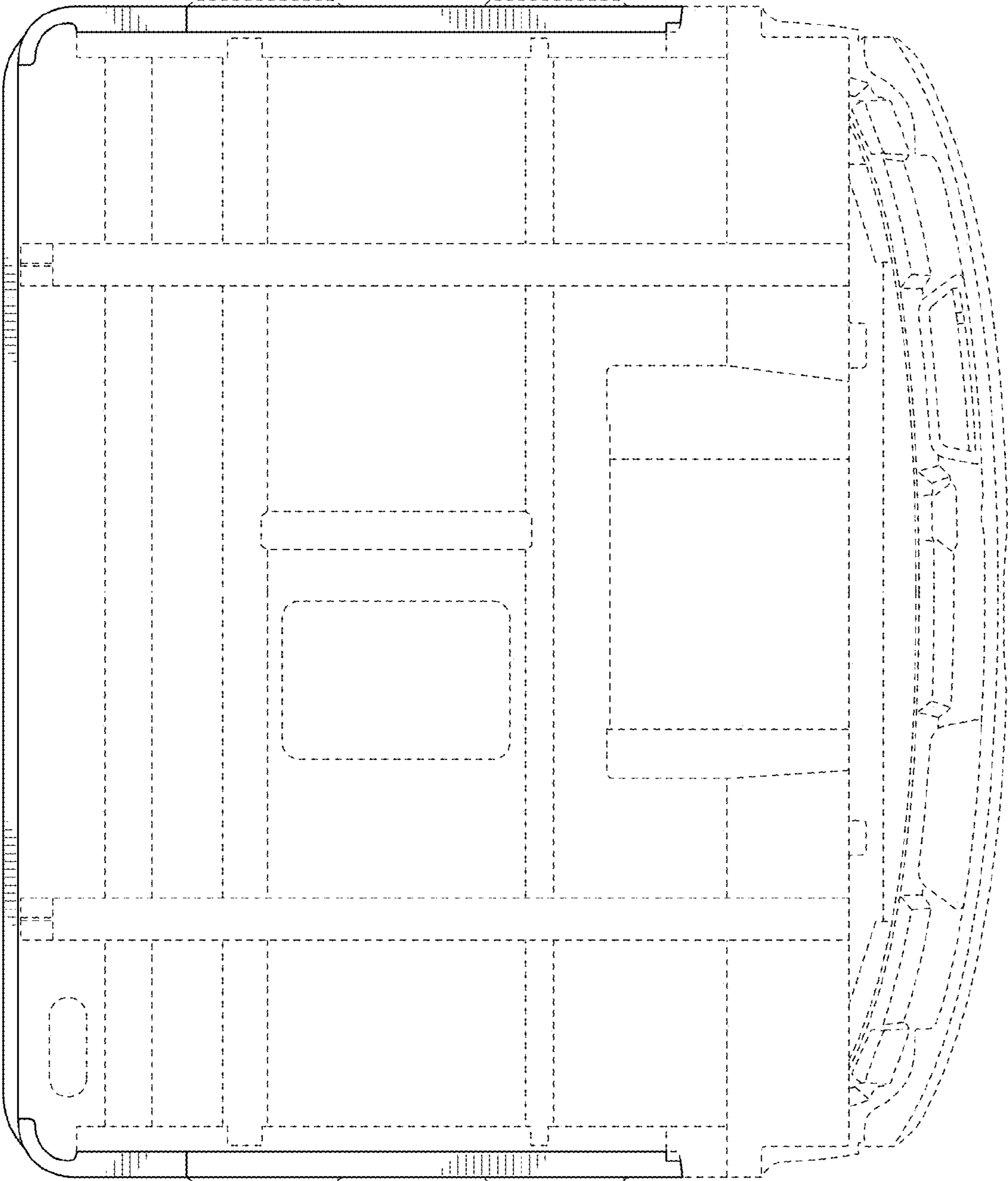


FIG. 16

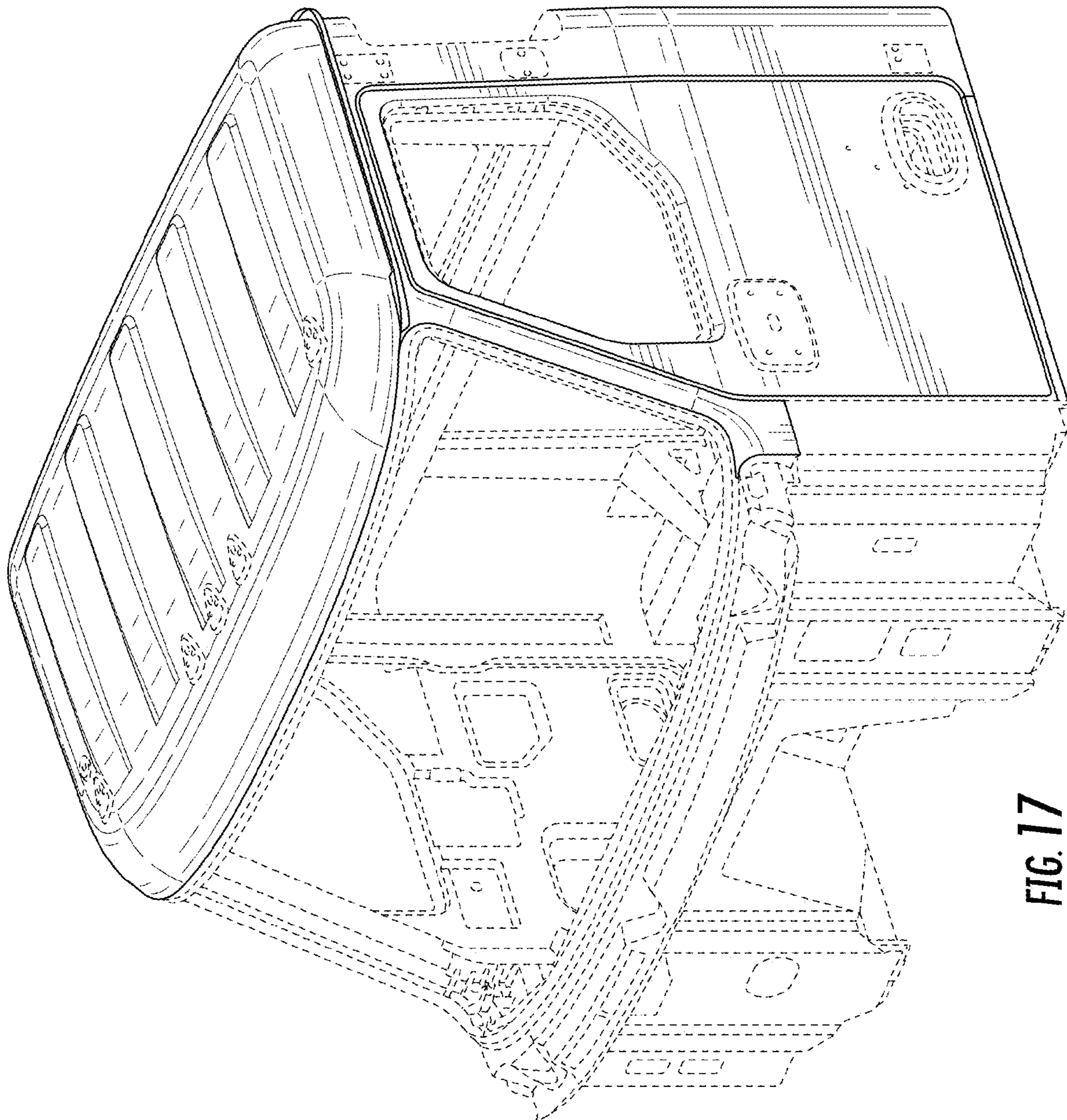


FIG. 17

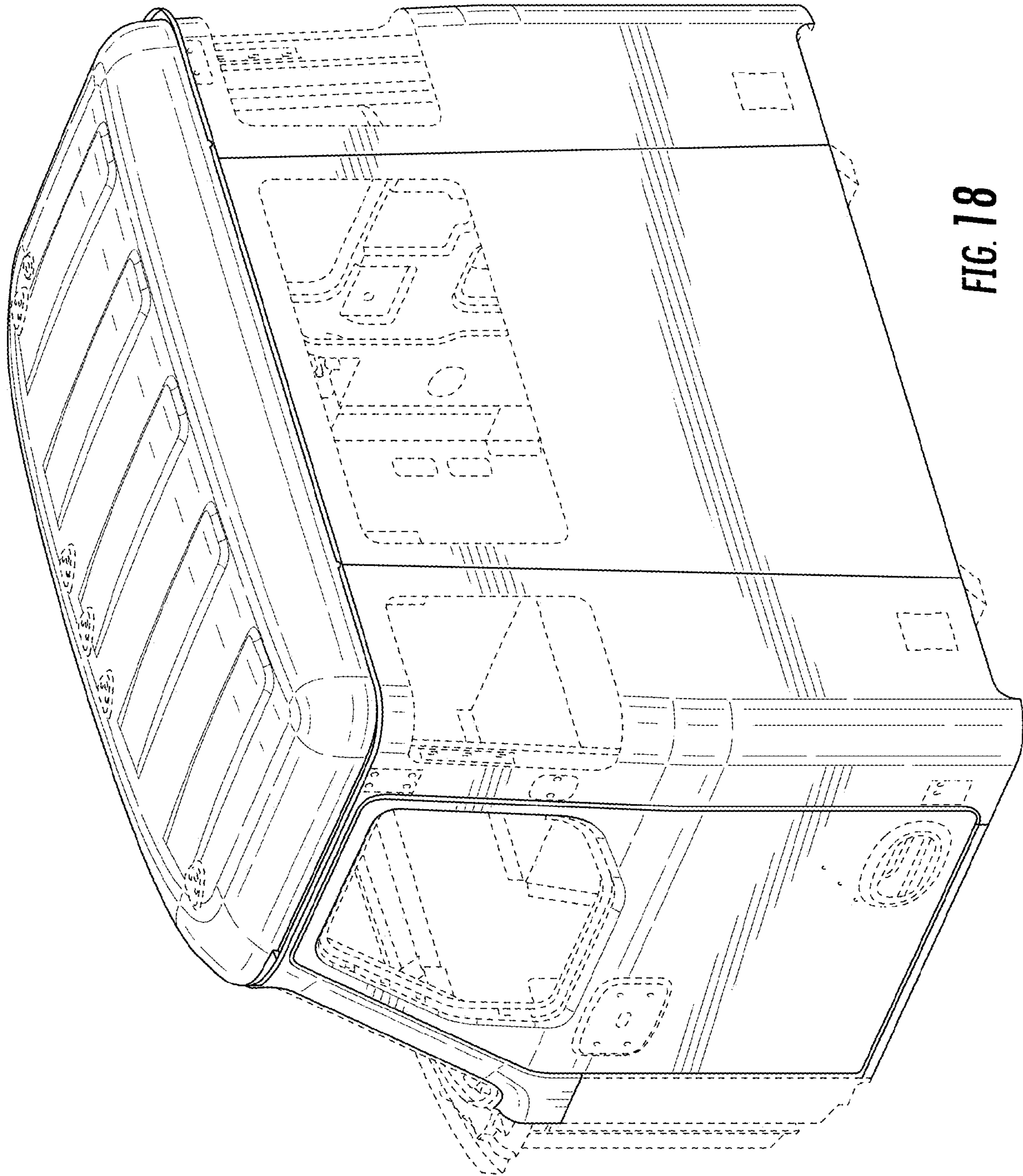


FIG. 18

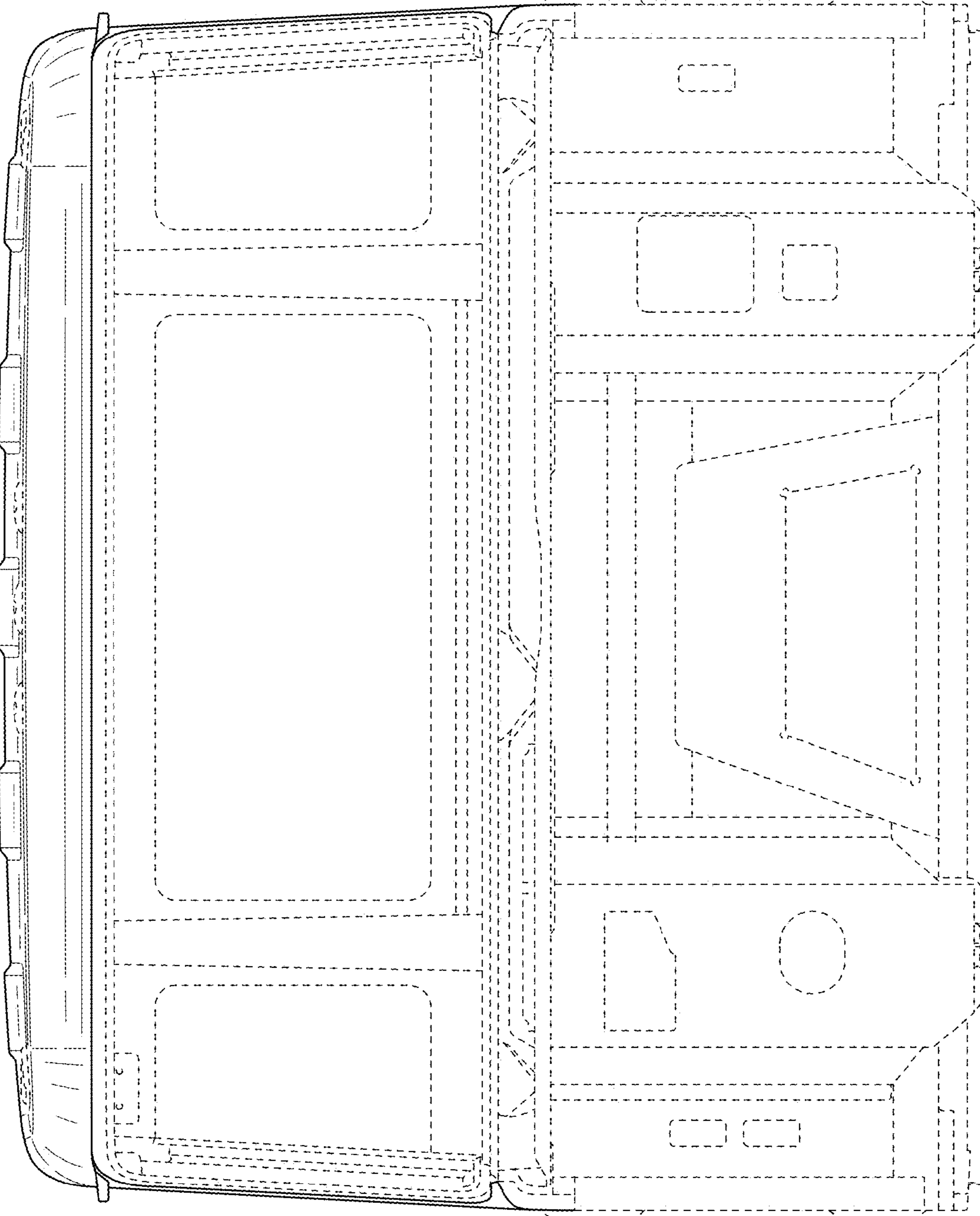


FIG. 19

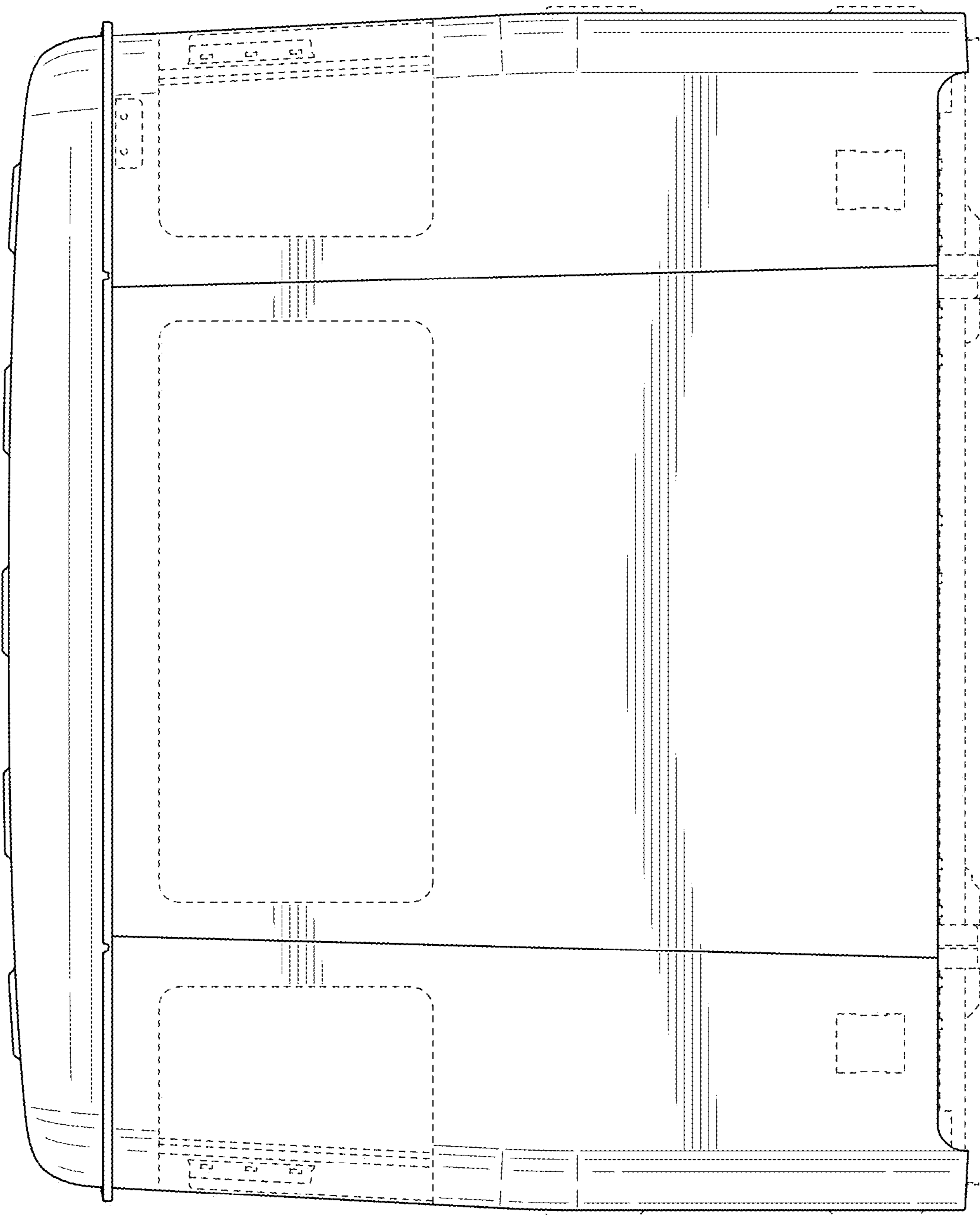


FIG. 20

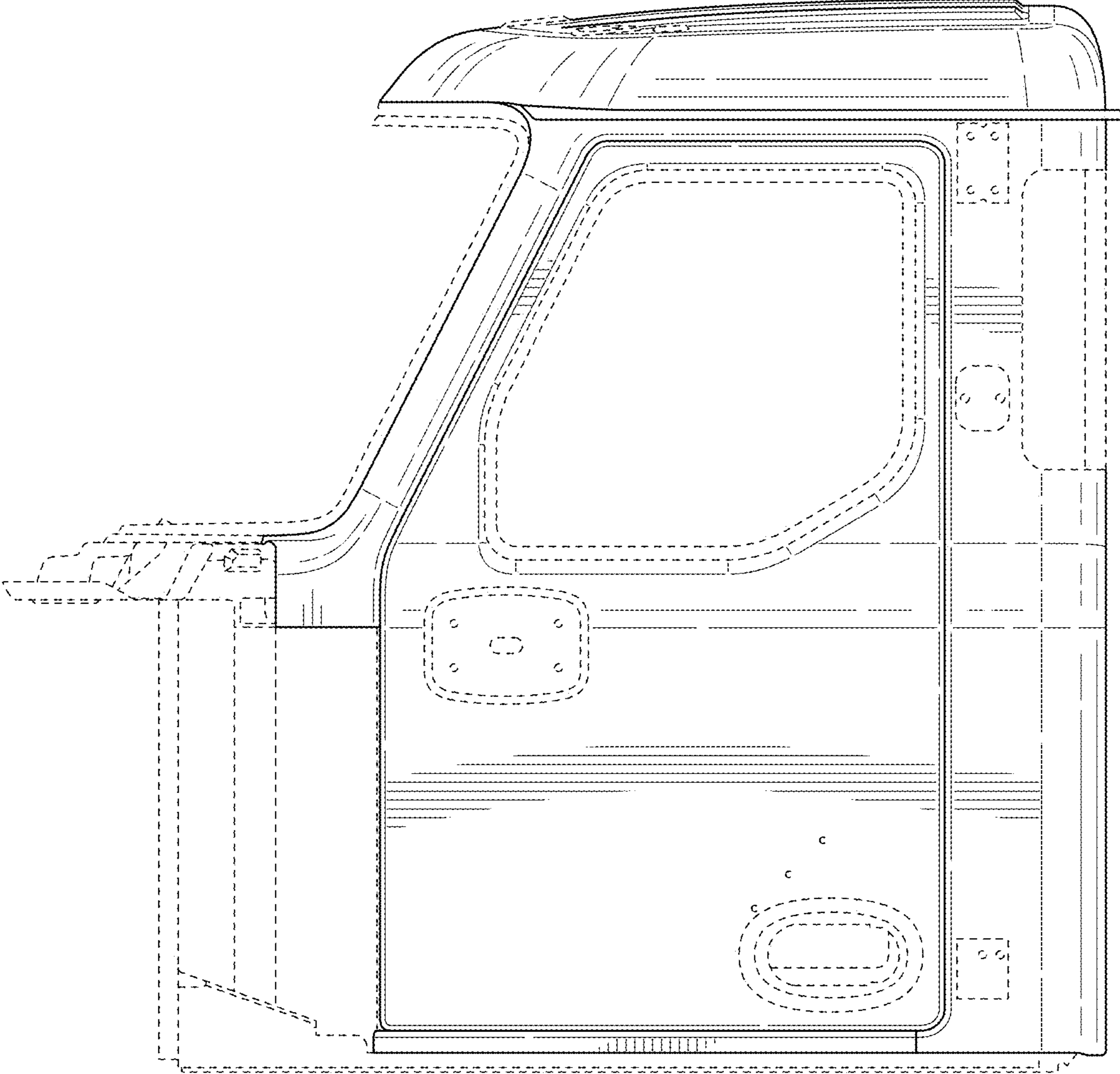
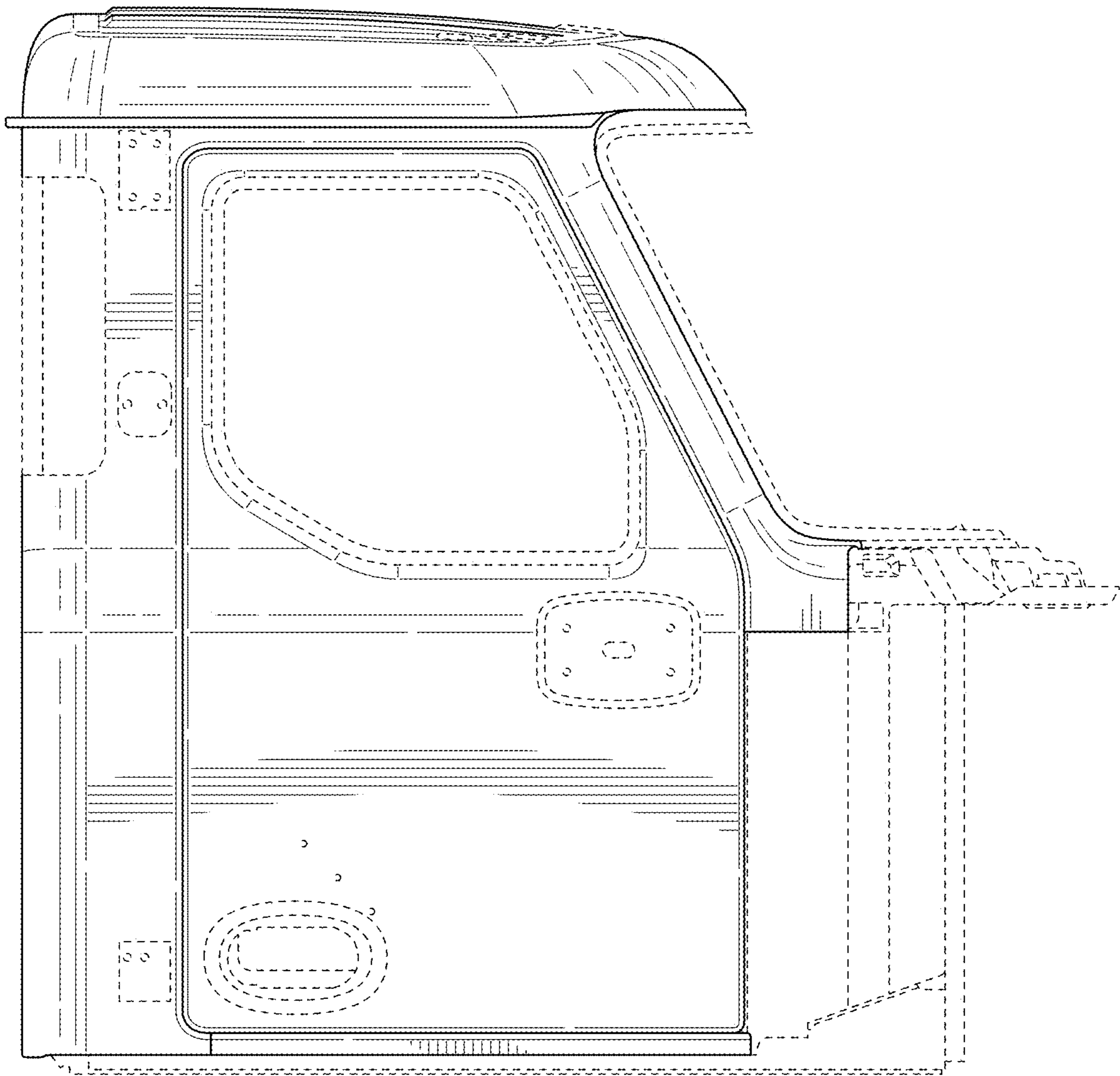


FIG. 21



**FIG. 22**



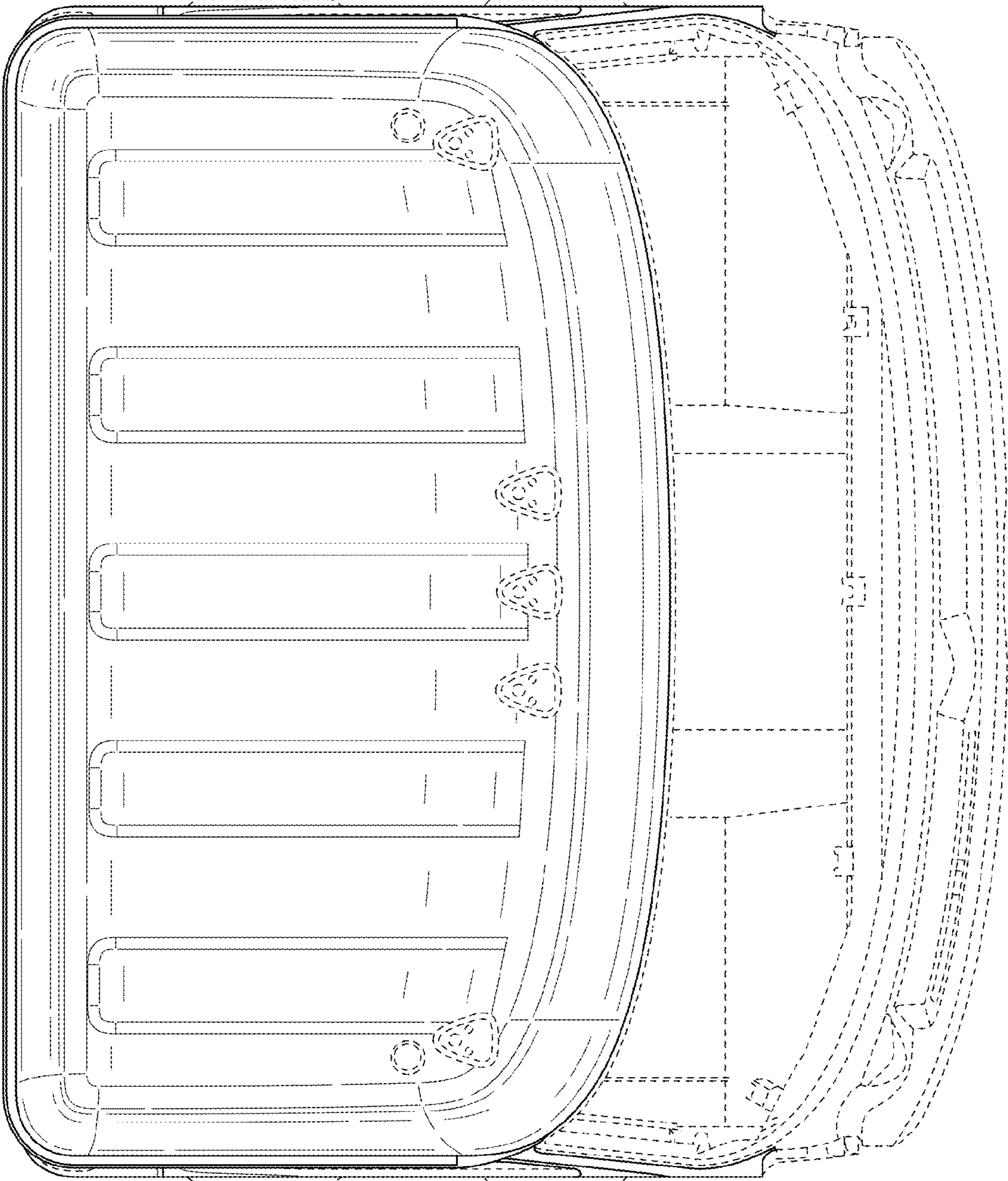


FIG. 23

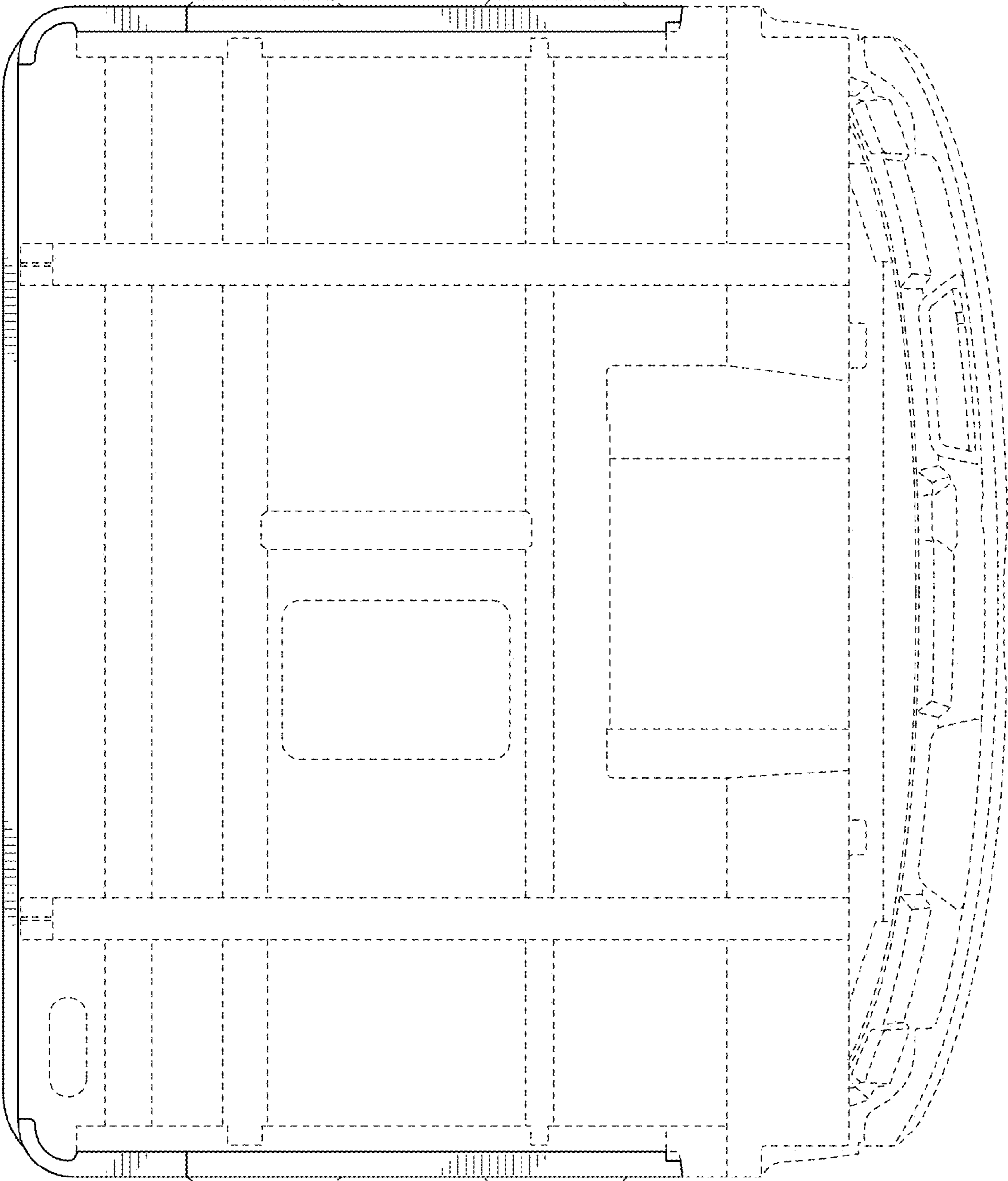


FIG. 24