



US00D955293S

(12) **United States Design Patent** (10) **Patent No.:** **US D955,293 S**  
**Lee** (45) **Date of Patent:** **\*\* Jun. 21, 2022**

(54) **ELECTRIC VEHICLE**

OTHER PUBLICATIONS

(71) Applicant: **Alpha Motor Corporation**, Irvine, CA (US)

Delivery Vans. (Design—© Questel) orbit.com. [Online PDF compilation of references] 55pgs. Print Dates Range Dec. 11, 2001-Jul. 18, 1994 [Retrieved Jan. 20, 2022].\*

(72) Inventor: **Edward Lee**, Irvine, CA (US)

The Near Term for Self Driving Vehicles. Jun. 3, 2020. Motortrend. <https://www.motortrend.com/news/autonomous-vehicles-development-delivery-van-rideshare-safety/>.\*

(\*\*) Term: **15 Years**

Udelv unveils updated Newton autonomous delivery van. Jan. 15, 2019. Fleet Owner. <https://www.fleetowner.com/technology/autonomous-vehicles/article/21703382/udelv-unveils-updated-newton-autonomous-delivery-van/>.\*

(21) Appl. No.: **29/755,287**

(22) Filed: **Oct. 19, 2020**

Bollinger Unveils the Deliver-E, Its Electric Delivery Van Concept. Aug. 27, 2020. Car and Driver. <https://www.caranddriver.com/news/a33823642/bollinger-electric-deliver-e-delivery-van/>.\*

(51) **LOC (13) Cl.** ..... **12-08**

(52) **U.S. Cl.**  
USPC ..... **D12/91**

(58) **Field of Classification Search**  
USPC ..... D12/86, 90–92, 99, 164; D21/424, 433, D21/434, 533  
CPC ..... B62D 25/00; B62D 25/06; B62D 33/00; B62D 35/00  
See application file for complete search history.

\* cited by examiner

*Primary Examiner* — Manpreet S Matharu

*Assistant Examiner* — Suzanne E Tisdell

(74) *Attorney, Agent, or Firm* — Elizabeth Yang

(56) **References Cited**

U.S. PATENT DOCUMENTS

D741,752 S *	10/2015	Messale	.....	D12/91
D746,175 S *	12/2015	Wolff	.....	D12/91
D832,146 S *	10/2018	Metros	.....	D12/91
D835,001 S *	12/2018	Metros	.....	D12/91
D835,002 S *	12/2018	Metros	.....	D12/91
D850,979 S *	6/2019	Metros	.....	D12/91
10,599,260 B1 *	3/2020	Salter	.....	B60K 35/00
10,665,140 B1 *	5/2020	Ahn	.....	G09F 21/04
D897,905 S *	10/2020	Hamilton	.....	D12/99
D899,320 S *	10/2020	Hamilton	.....	D12/99
10,850,711 B2 *	12/2020	Salter	.....	B60R 11/0264
D926,634 S *	8/2021	Hamilton	.....	D12/99
D927,360 S *	8/2021	Hamilton	.....	D12/99

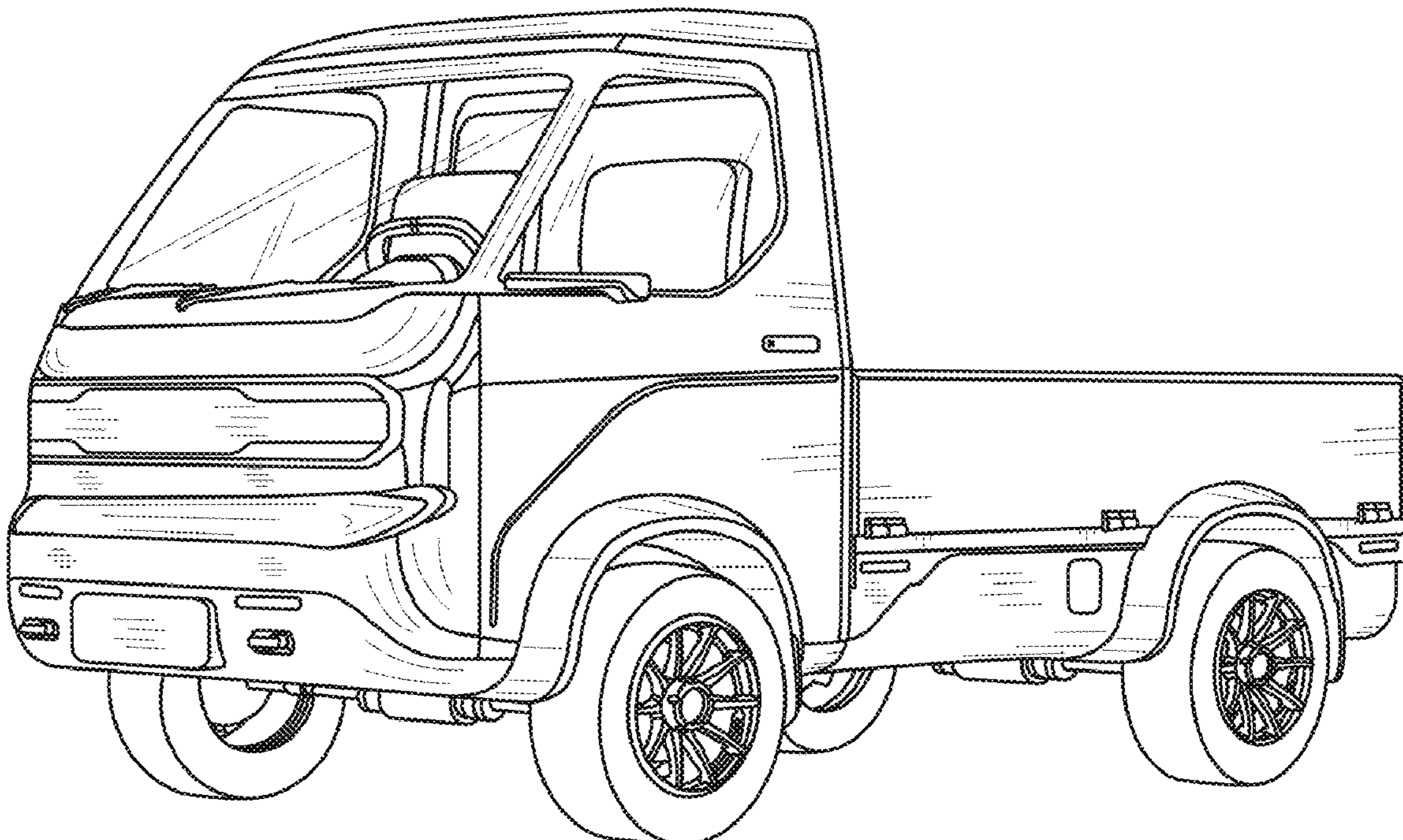
(57) **CLAIM**

The ornamental design for an electric vehicle, as shown and described.

**DESCRIPTION**

FIG. 1 is the representation of front perspective view of an electric vehicle;  
FIG. 2 is the representation of rear perspective view thereof;  
FIG. 3 is the representation of front view thereof;  
FIG. 4 is the representation of back view thereof;  
FIG. 5 is the representation of side view thereof; and,  
FIG. 6 is the representation of top view thereof.

**1 Claim, 3 Drawing Sheets**



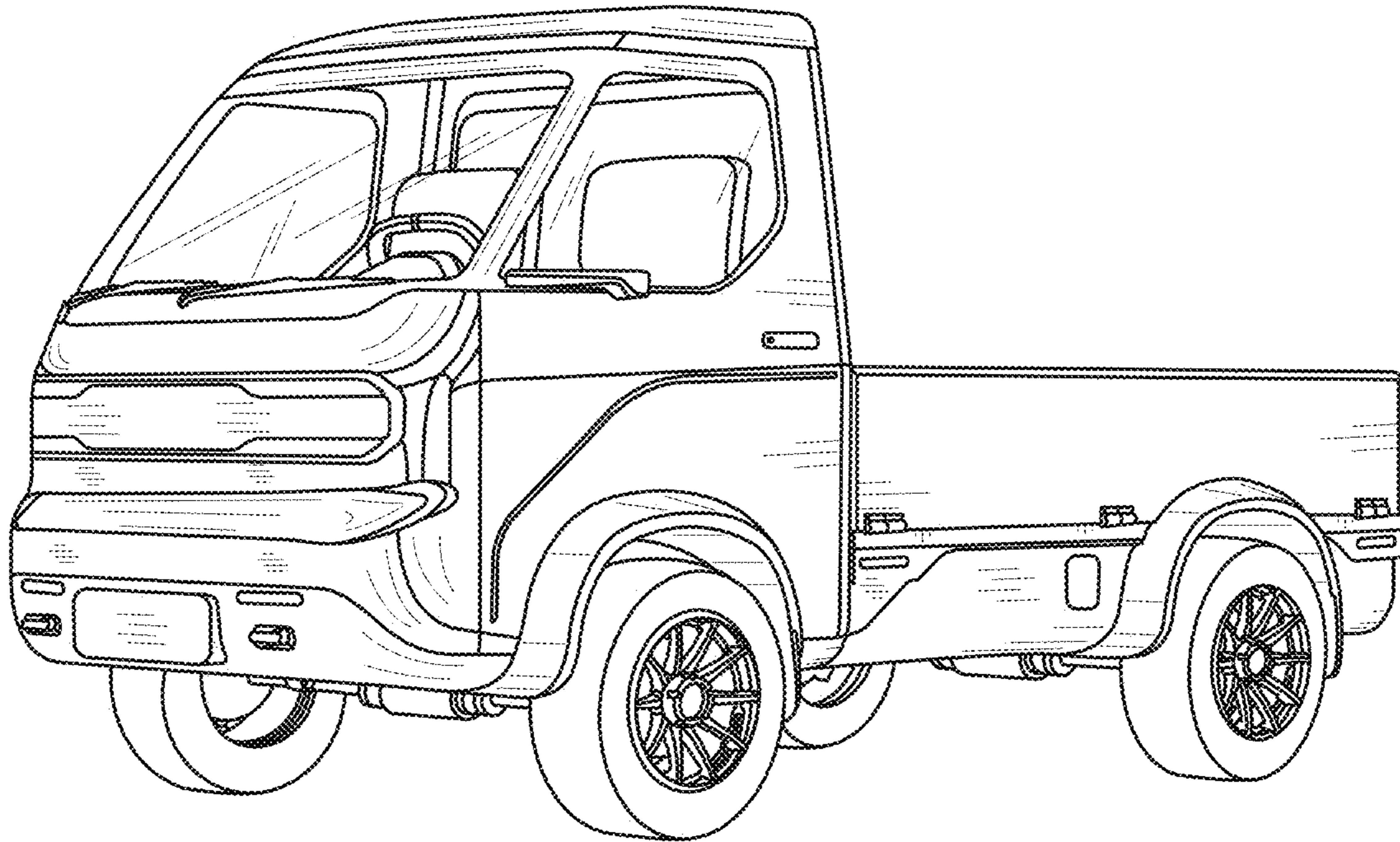


FIG. 1

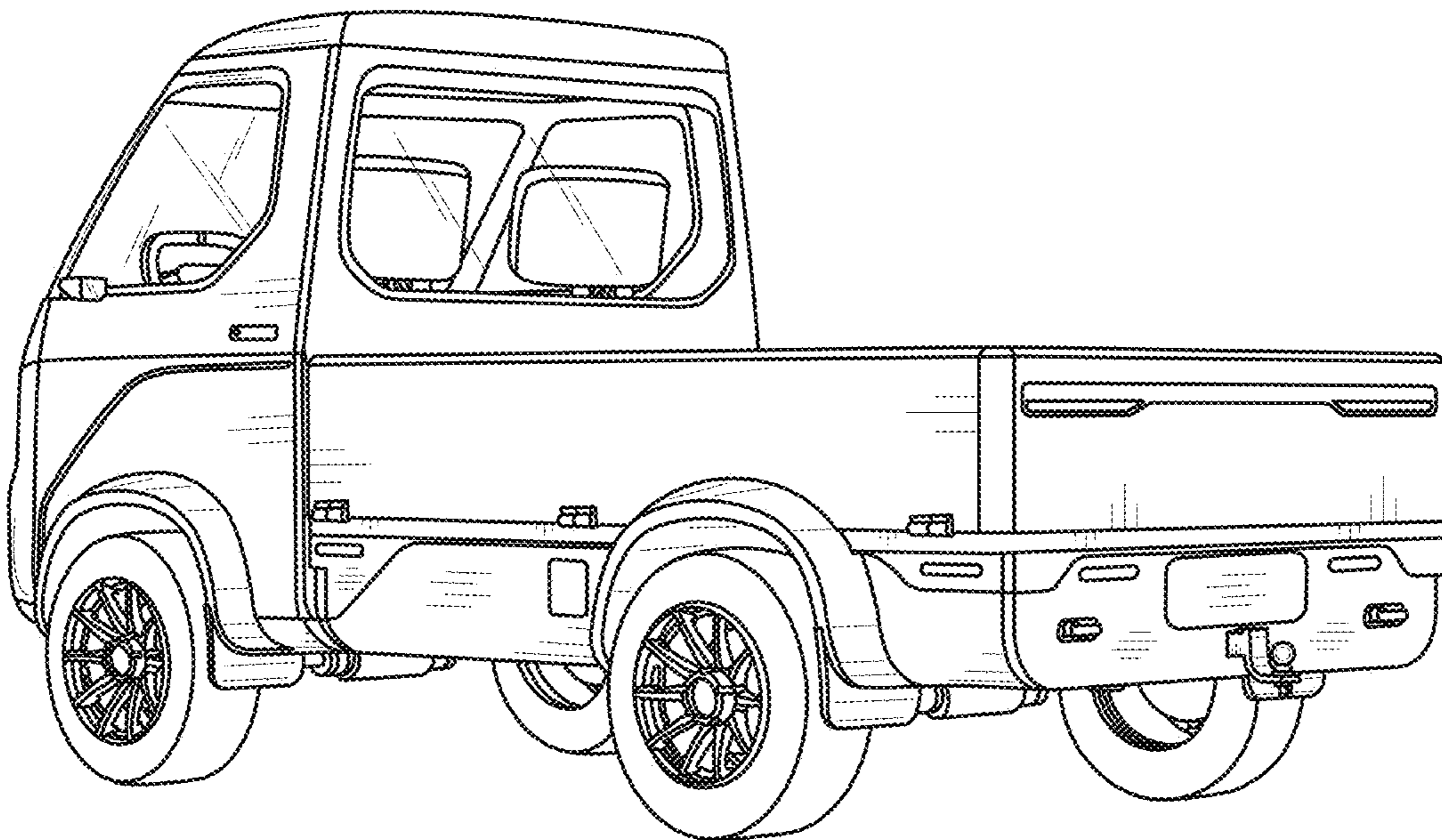


FIG. 2

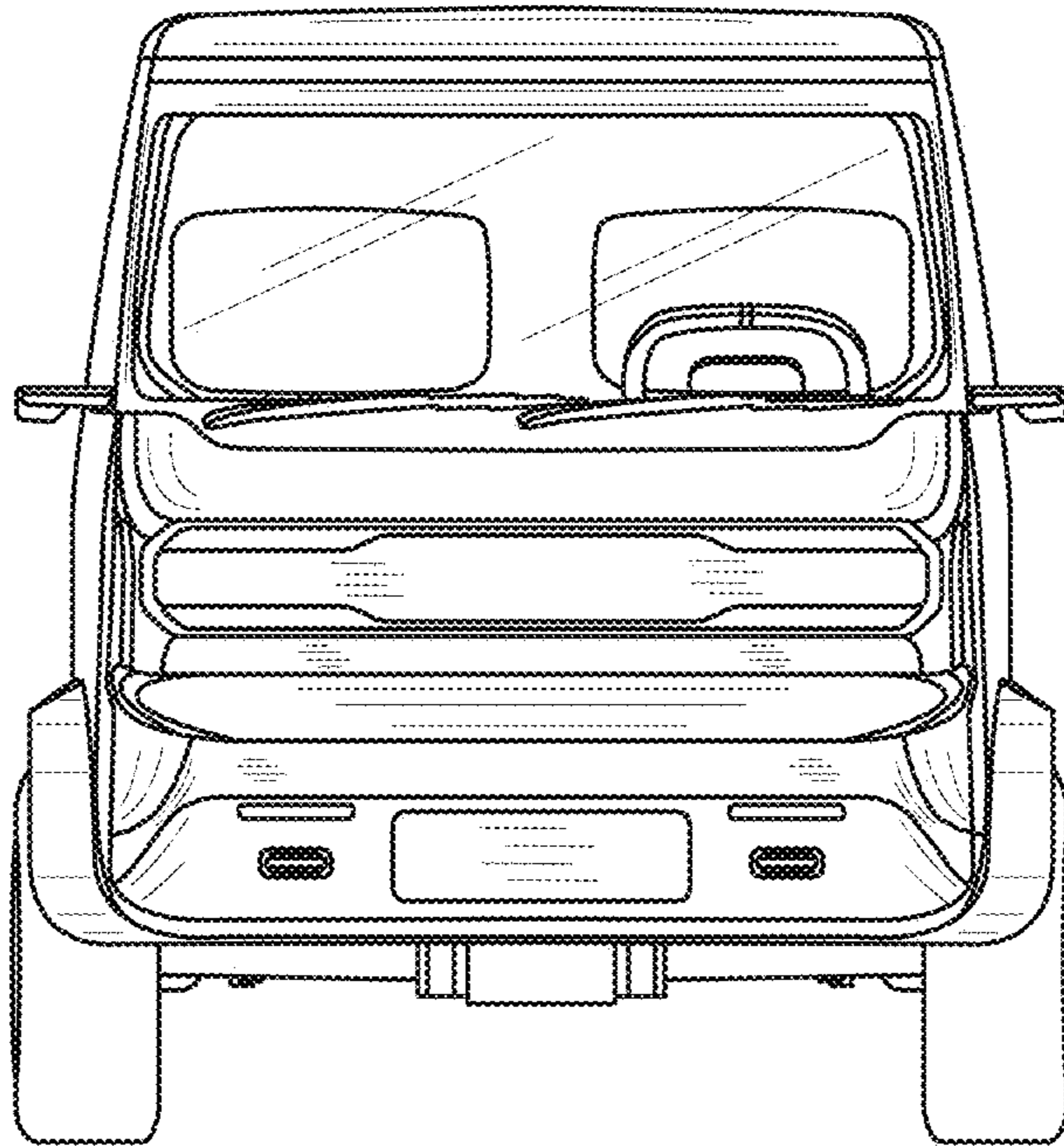


FIG. 3

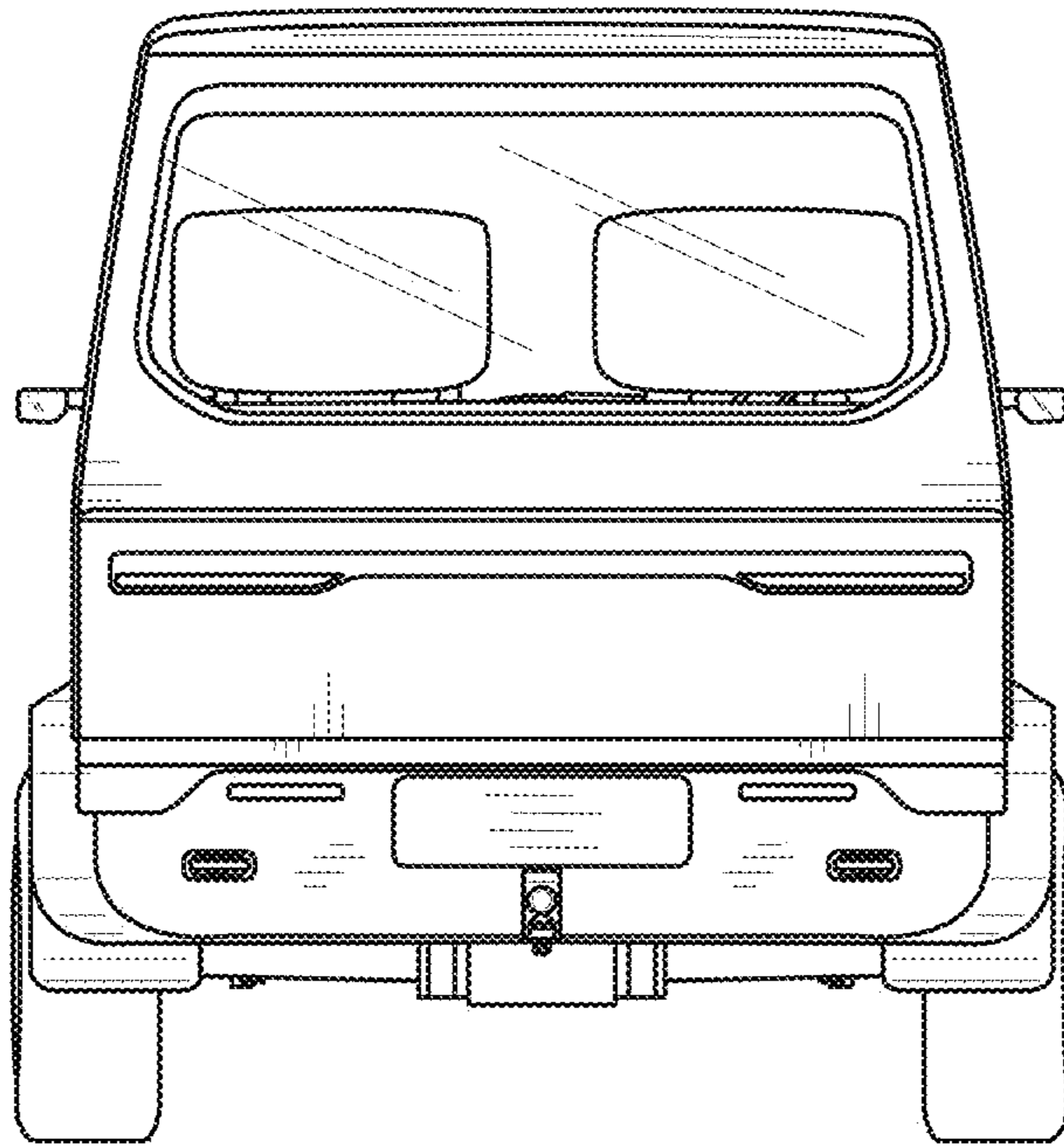


FIG. 4

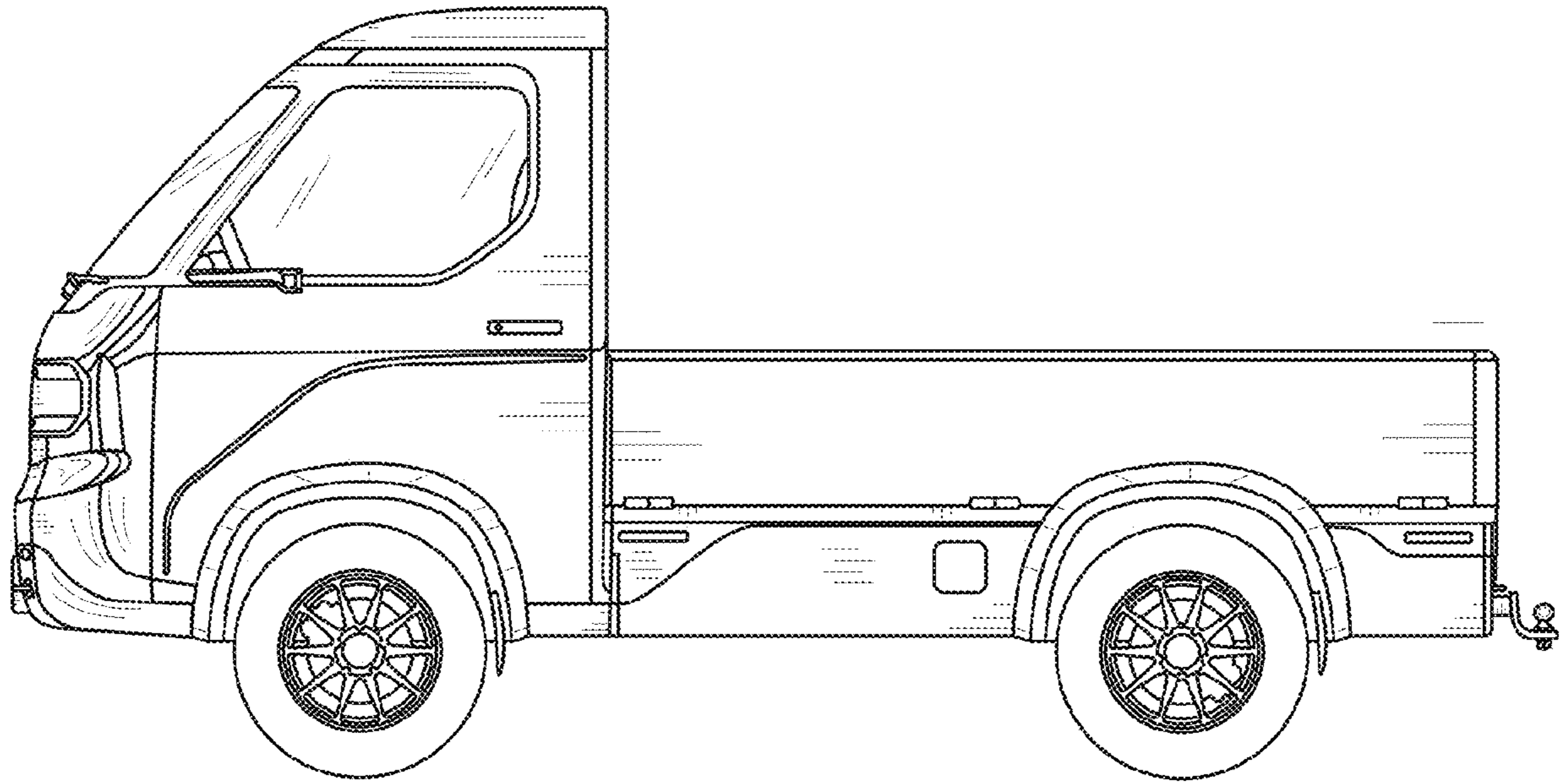


FIG. 5

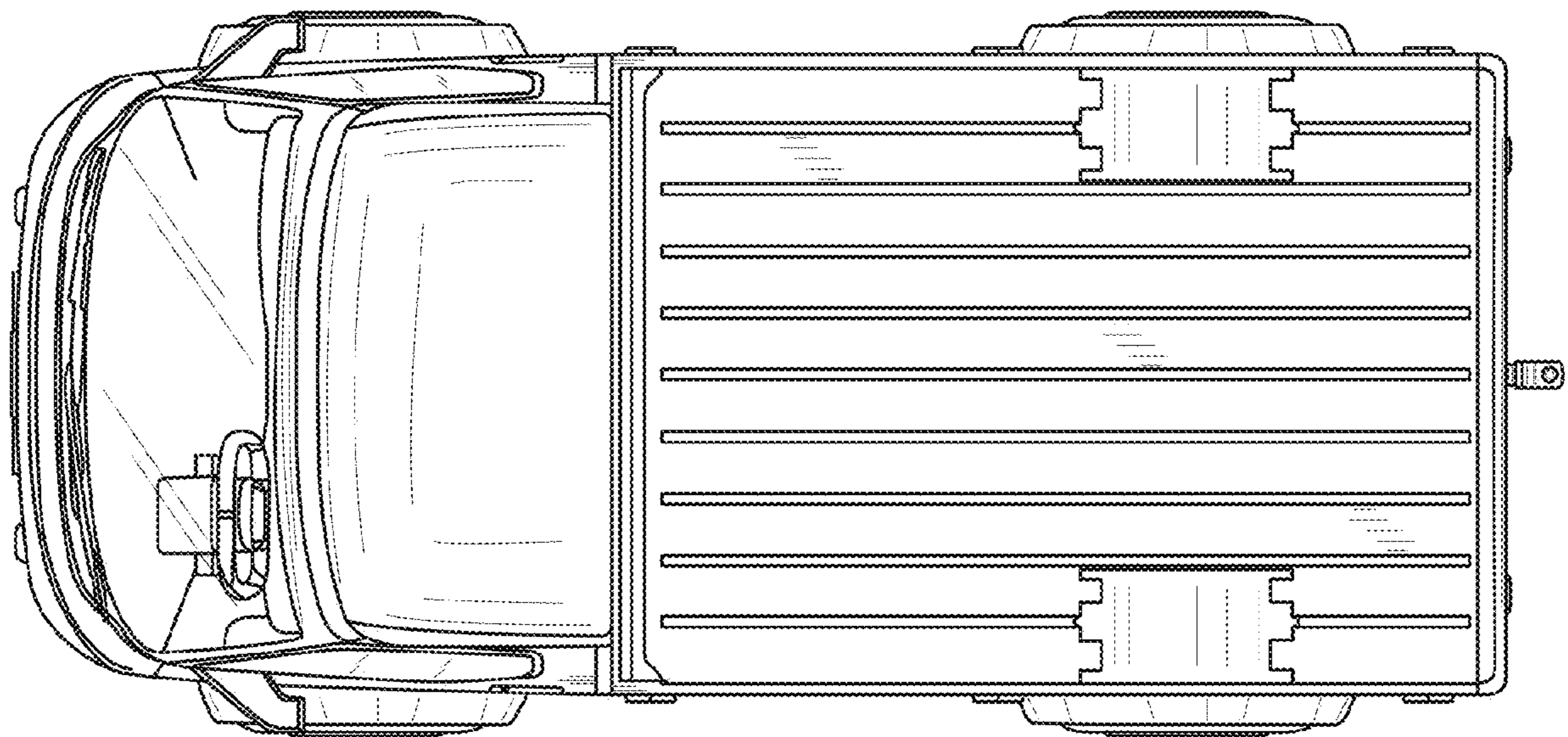


FIG. 6