



US00D955289S

(12) **United States Design Patent**
Richards

(10) **Patent No.:** **US D955,289 S**

(45) **Date of Patent:** **** Jun. 21, 2022**

(54) **BUCKLE**

(71) Applicant: **Lee E. Richards**, Whitefield, ME (US)

(72) Inventor: **Lee E. Richards**, Whitefield, ME (US)

(**) Term: **15 Years**

(21) Appl. No.: **29/713,412**

(22) Filed: **Nov. 15, 2019**

(51) **LOC (13) Cl.** **02-07**

(52) **U.S. Cl.**
USPC **D11/216; D11/215**

(58) **Field of Classification Search**

USPC D11/200, 201, 212, 215, 216, 218;
D29/100–101.5, 120.1, 121.1; D3/216;
D2/627–640; D6/333; D8/44, 349, 356,
D8/382, 383, 394, 395

CPC ... A44B 11/001; A44B 11/005; A44B 11/008;
A44B 11/02; A44B 11/00; A44B 11/065;
A44B 11/08; A44B 11/10; A44B 11/12;
A44B 11/125; A44B 11/14; A44B 11/226;
A44B 11/25; A44B 11/2503; A44B
11/2507; A44B 11/2511; A44B 11/2515;
A44B 11/2519; A44B 11/2523; A44B
11/253; A44B 11/2538; A44B 11/2549;
A44B 11/2553; A44B 11/2557; A44B
11/2561; A44B 11/2569; A44B 11/2576;

(Continued)

(56) **References Cited**

U.S. PATENT DOCUMENTS

D303,233 S * 9/1989 Jang D11/216
D340,886 S * 11/1993 Anscher D11/200

(Continued)

OTHER PUBLICATIONS

Duraflex Mojave Autolock Dual Adj Buckle, no date available, [online], [site visited Jan. 22, 2021]. Retrieved from url:https://www.duraflexgroup.com/products/PRQF00001324?family=true (Year: 2021).*

Primary Examiner — Tracey J Bell

(74) *Attorney, Agent, or Firm* — Jeffrey Joyce, Esq.

(57) **CLAIM**

The ornamental design for a buckle, as shown and described.

DESCRIPTION

FIG. 1 is a perspective view of a first embodiment of the buckle according to the invention showing the top, front end, and side of the buckle.

FIG. 2 is a perspective view of the buckle showing the bottom, rear end, and side of the buckle.

FIG. 3 is a right side view of the buckle.

FIG. 4 is a front end view of the buckle.

FIG. 5 is a left side view of the buckle.

FIG. 6 is a rear end view of the buckle.

FIG. 7 is a top plan view of the buckle.

FIG. 8 is a bottom plan view of the buckle.

FIG. 9 is a cross-sectional side view of the buckle along line 9 shown in FIG. 8.

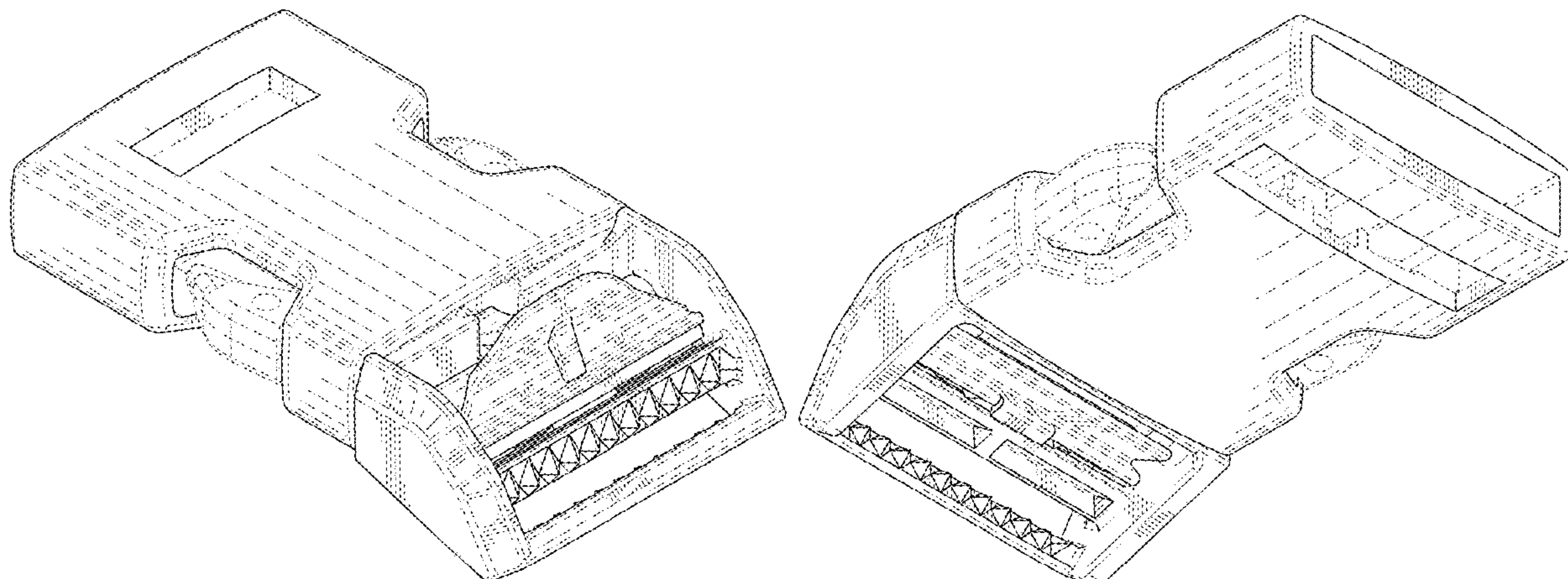
FIG. 10 is a perspective view of the buckle showing the male side and the female side separated.

FIG. 11 is a perspective view of a second embodiment of the buckle according to the invention showing the top, front end, and side of the buckle, this embodiment having a strap slot on the top side that is wider than the strap slot on the bottom side and all other features being identical to the first embodiment; and,

FIG. 12 is a perspective view of the second embodiment of buckle showing the bottom, rear end, and side of the buckle, this embodiment having a strap slot on the top side that is wider than the strap slot on the bottom side and all other features being identical to the first embodiment.

The dashed broken lines are for the purpose of illustrating the environment of the article only and form no part of the claimed design. The dot-dot-dash broken lines depict boundaries to the claim and form no part thereof.

1 Claim, 9 Drawing Sheets



(58) **Field of Classification Search**

CPC A44B 11/258; A44B 11/2588; A44B 11/26
See application file for complete search history.

(56) **References Cited**

U.S. PATENT DOCUMENTS

5,507,076 A * 4/1996 Anscher A44B 11/266
24/616
6,226,844 B1 * 5/2001 Lerra A44B 11/006
24/615
D468,664 S * 1/2003 Nishida D11/216
D478,023 S * 8/2003 Chen D11/216
D601,338 S * 10/2009 Mutcher D3/207
D784,851 S * 4/2017 Lin D11/216
10,441,007 B2 * 10/2019 Richards A41D 13/065
2013/0224667 A1 * 8/2013 Roybal F23Q 1/06
431/6
2014/0182040 A1 * 7/2014 Richards A41D 13/0568
2/22
2016/0360836 A1 * 12/2016 Sloan A44B 11/006
2017/0127767 A1 * 5/2017 Paik A45C 13/1069

* cited by examiner

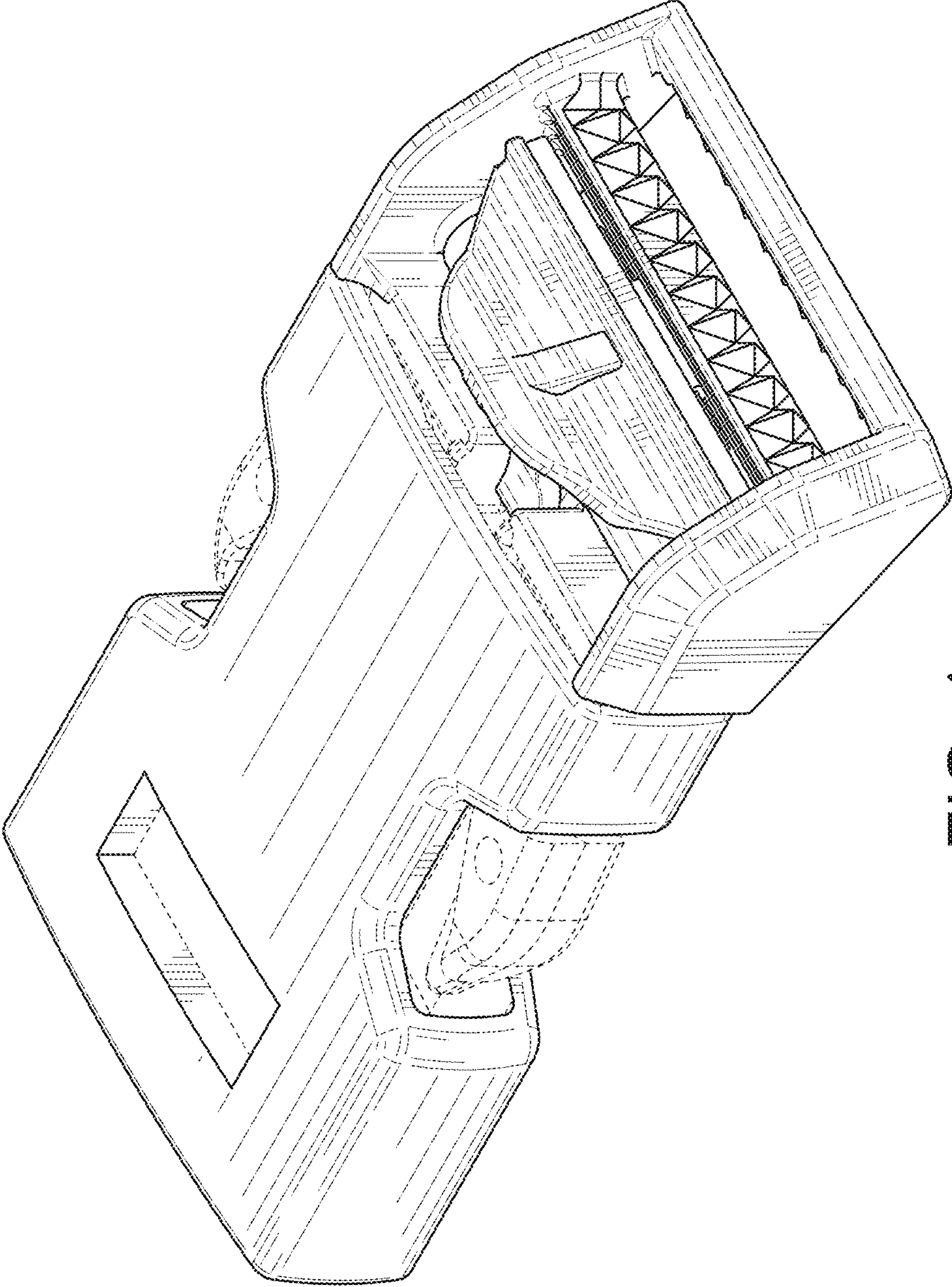


FIG. 1

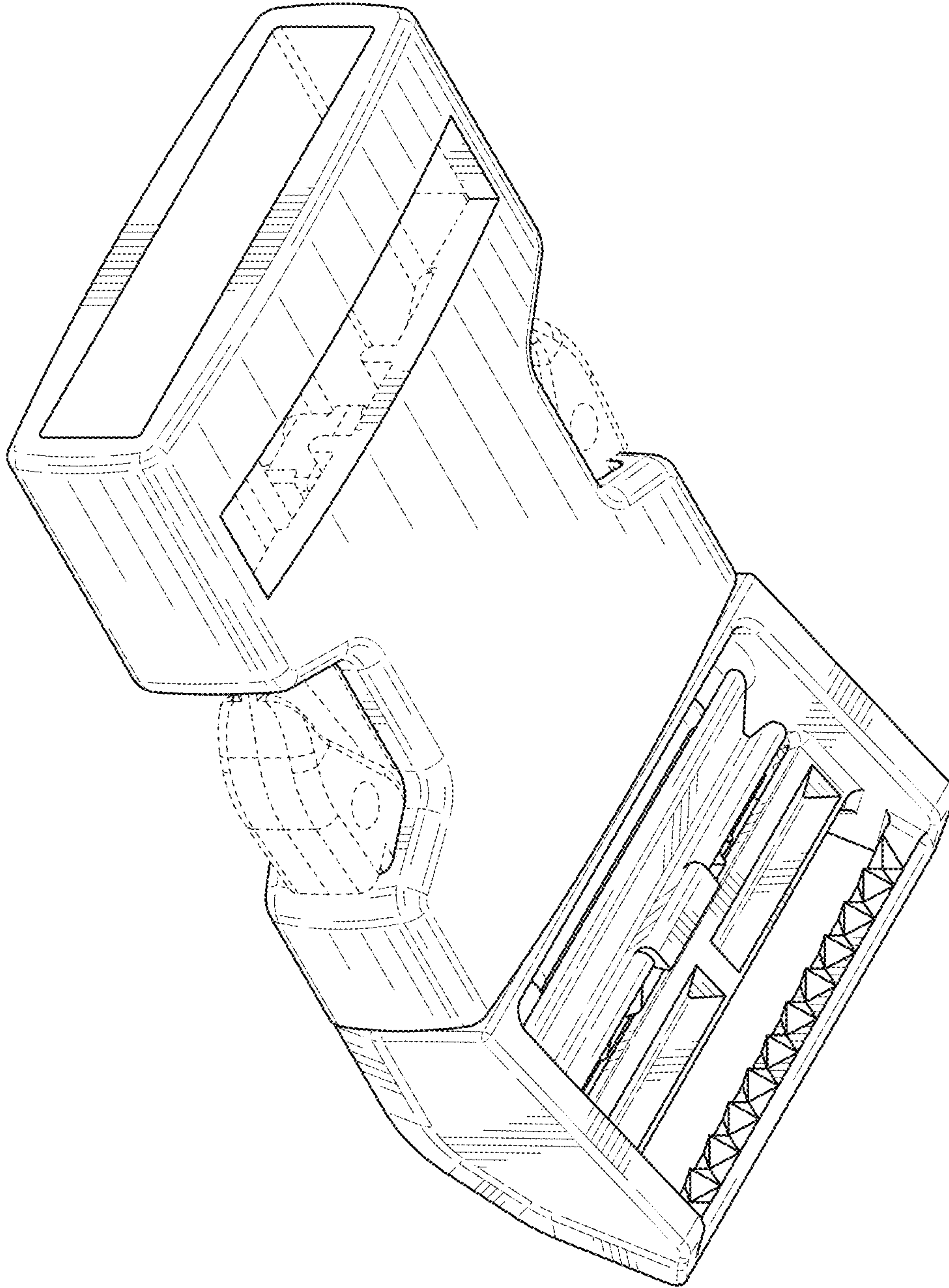


FIG. 2

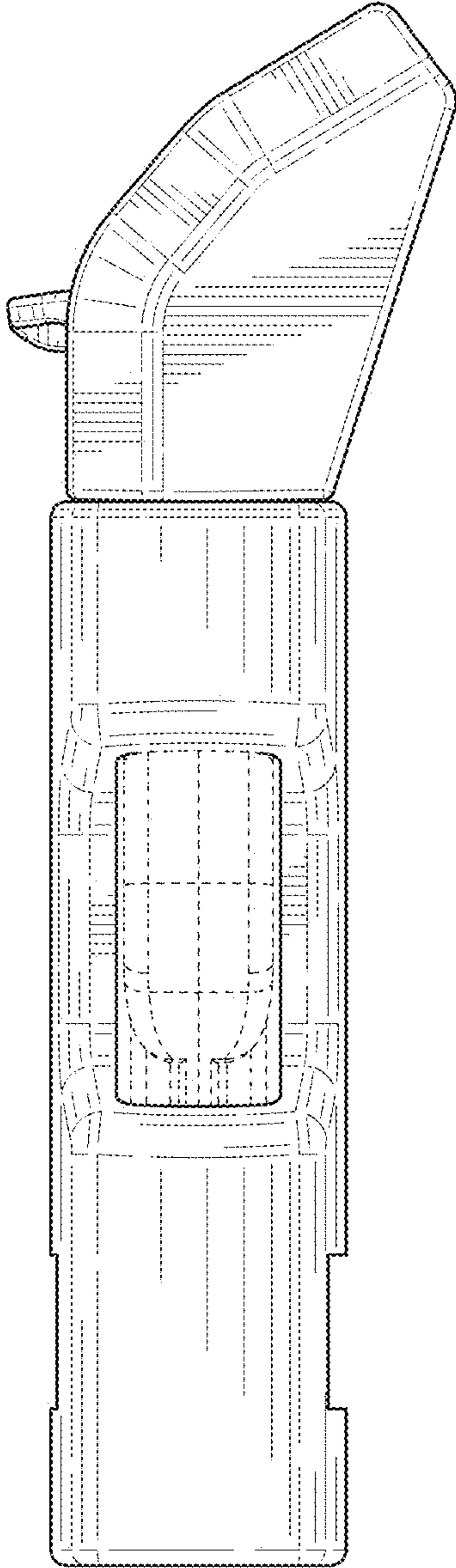


FIG. 3

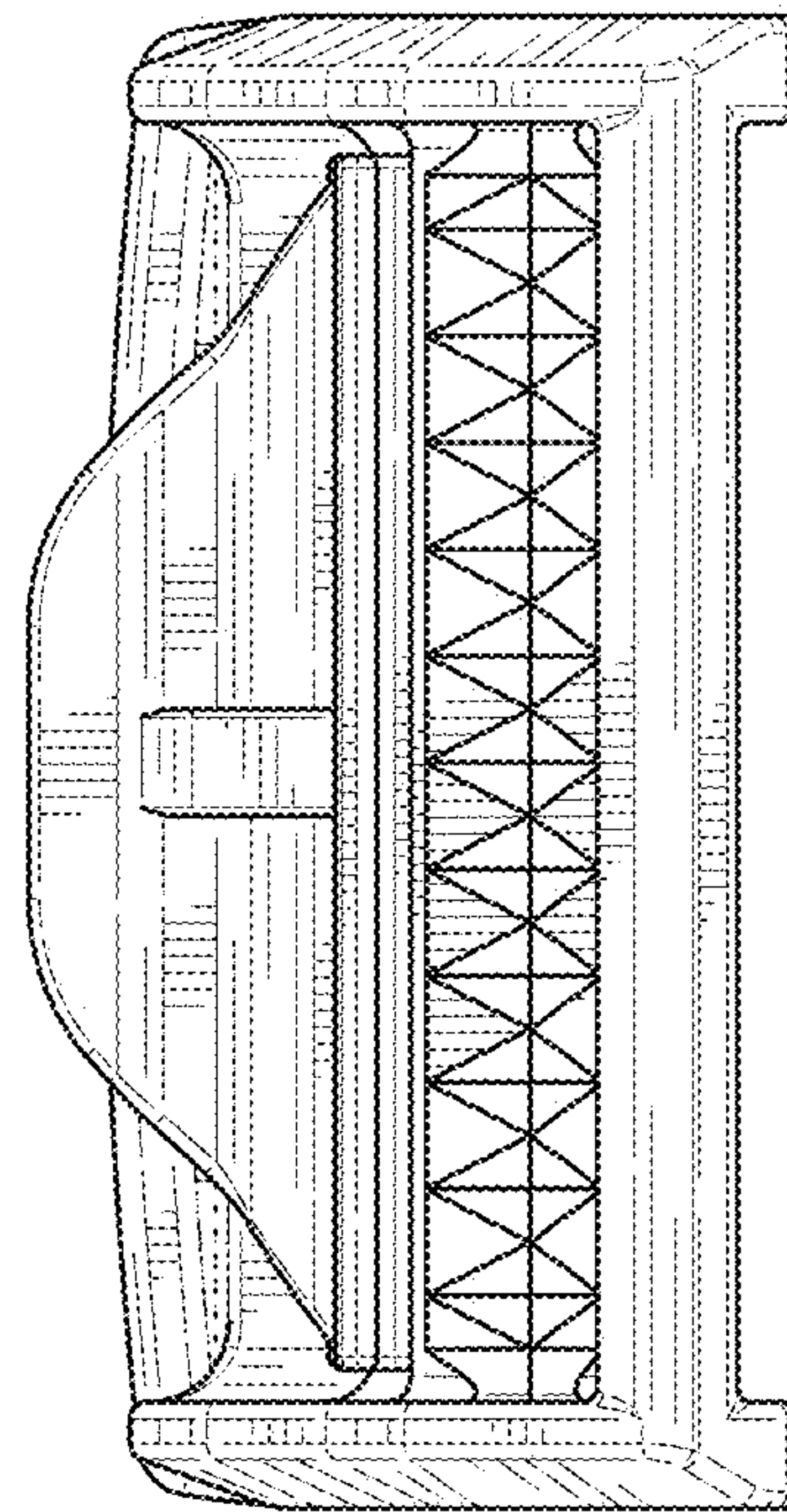


FIG. 4

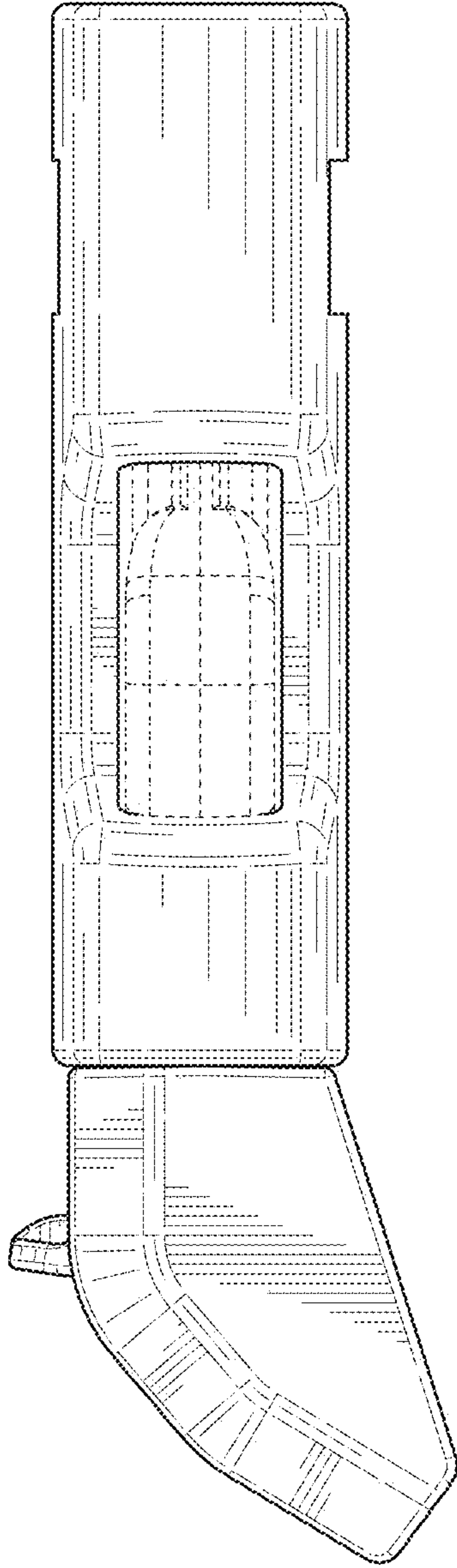


FIG. 5

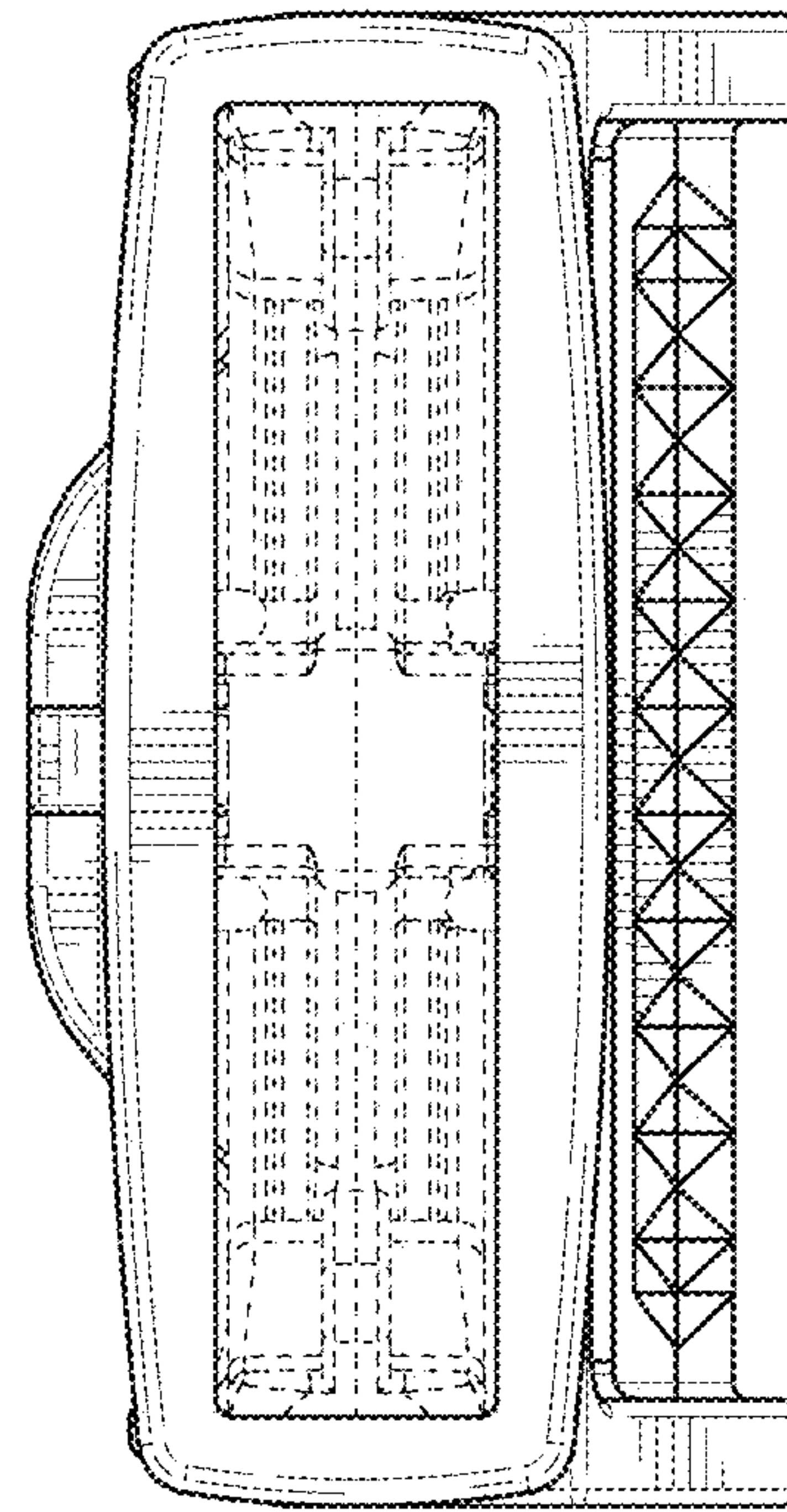


FIG. 6

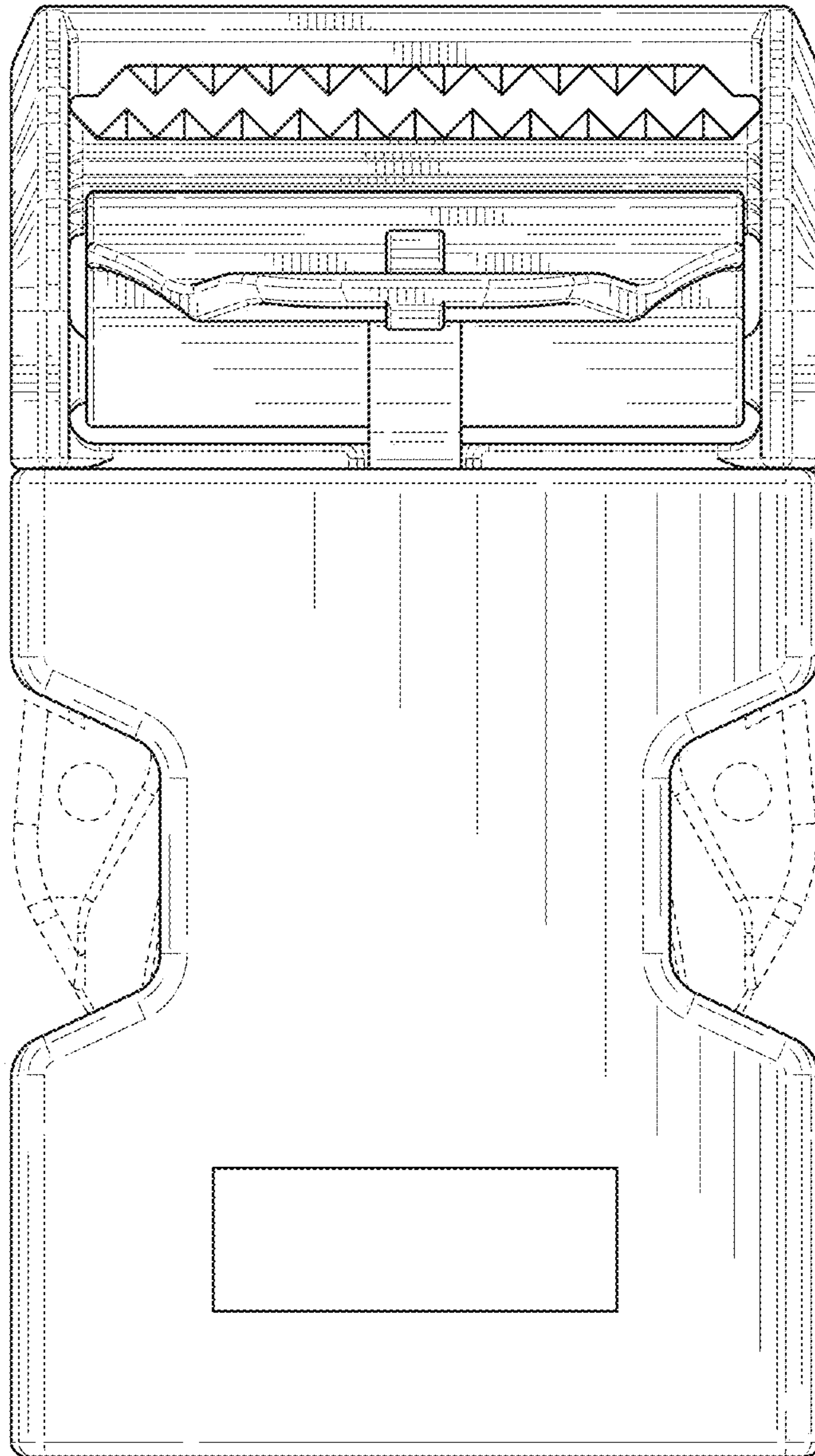


FIG. 7

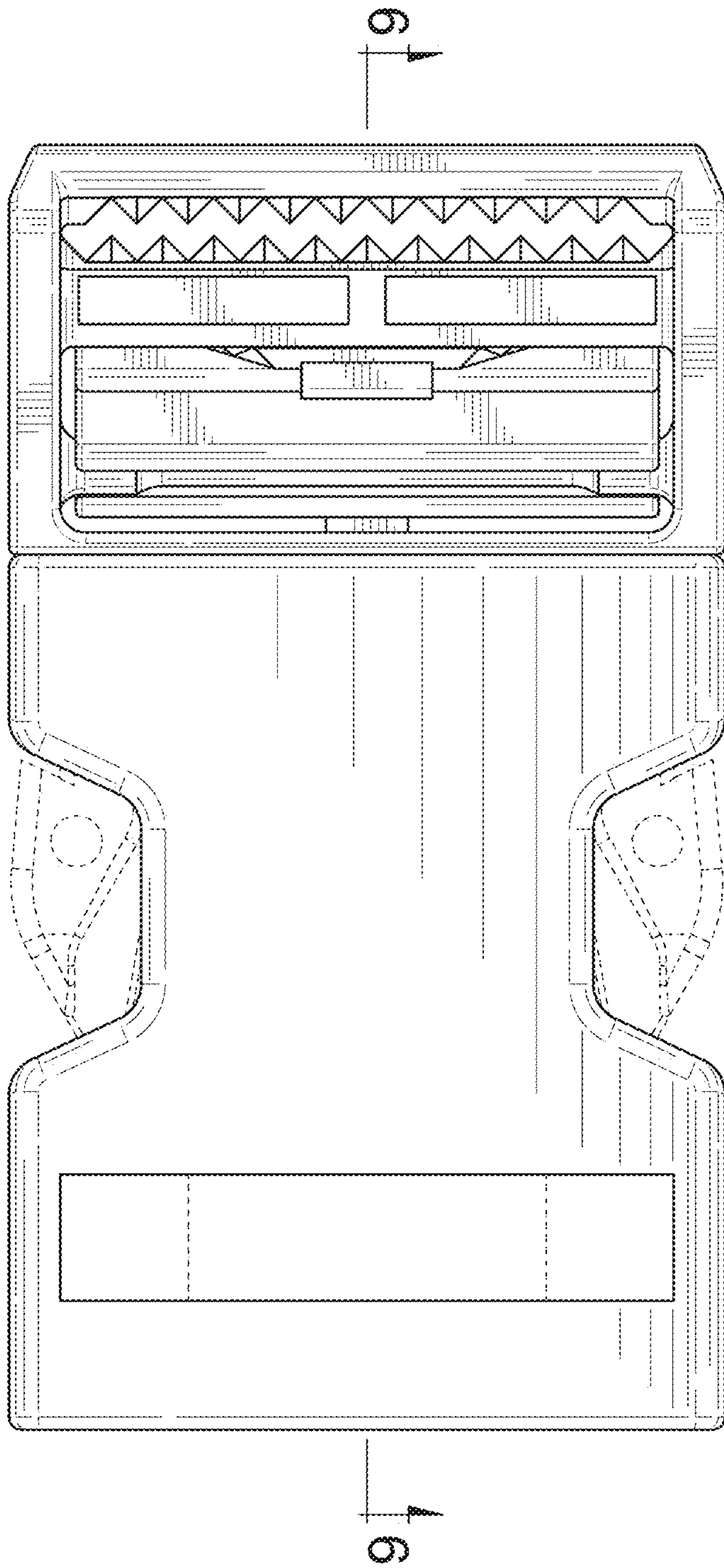


FIG. 8

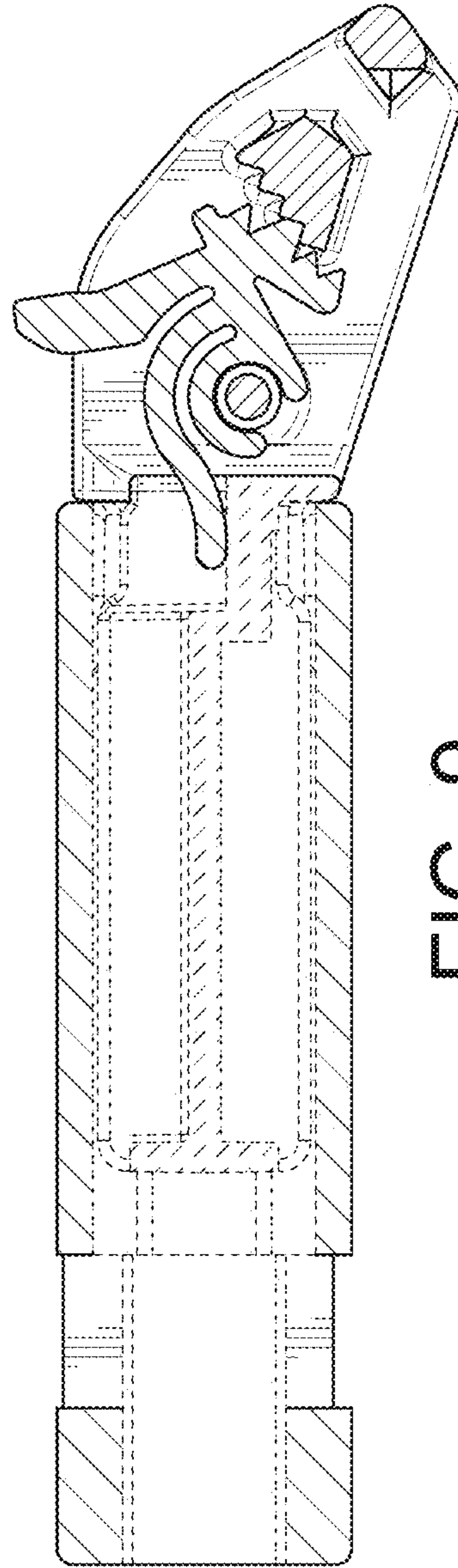


FIG. 9

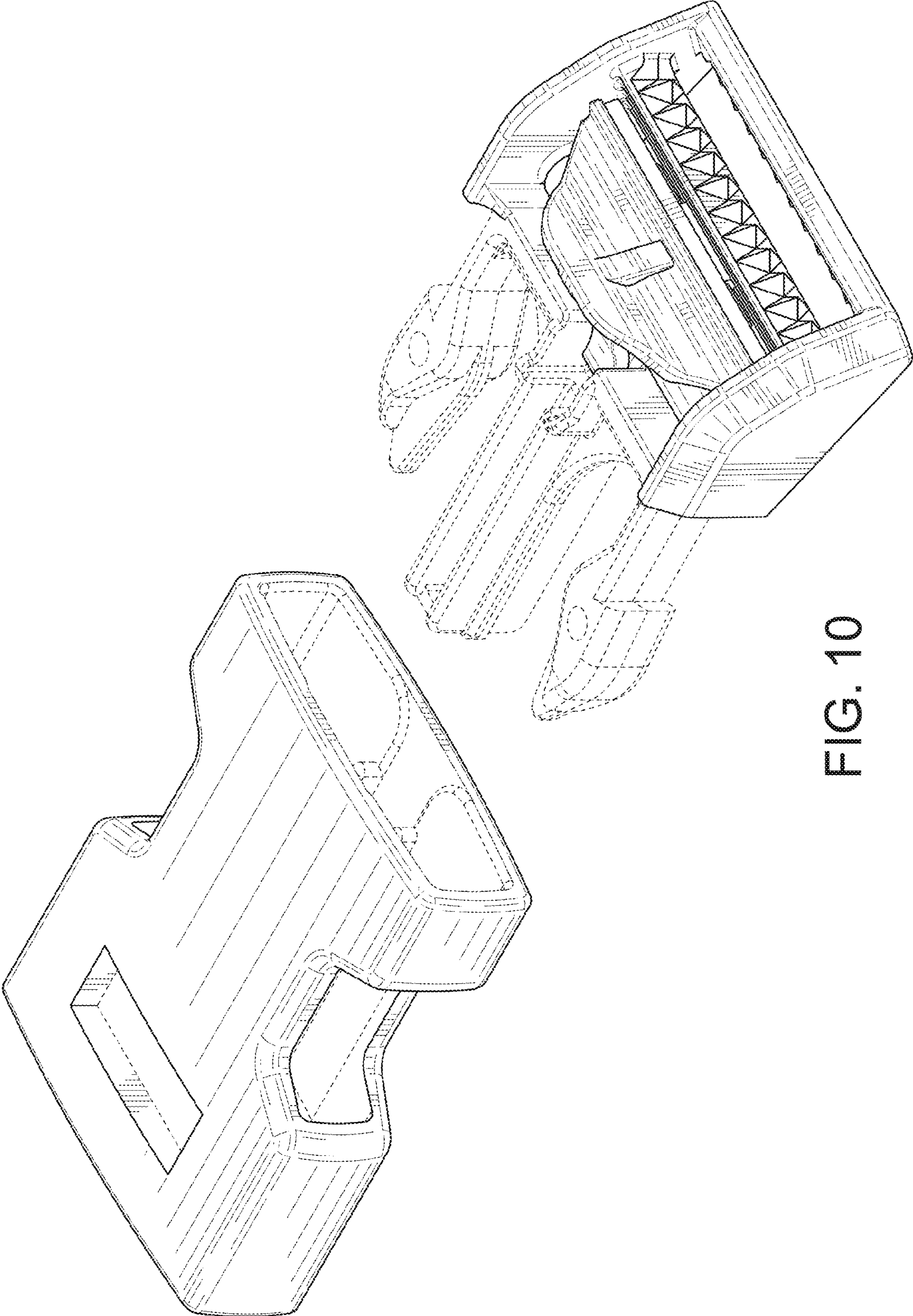


FIG. 10

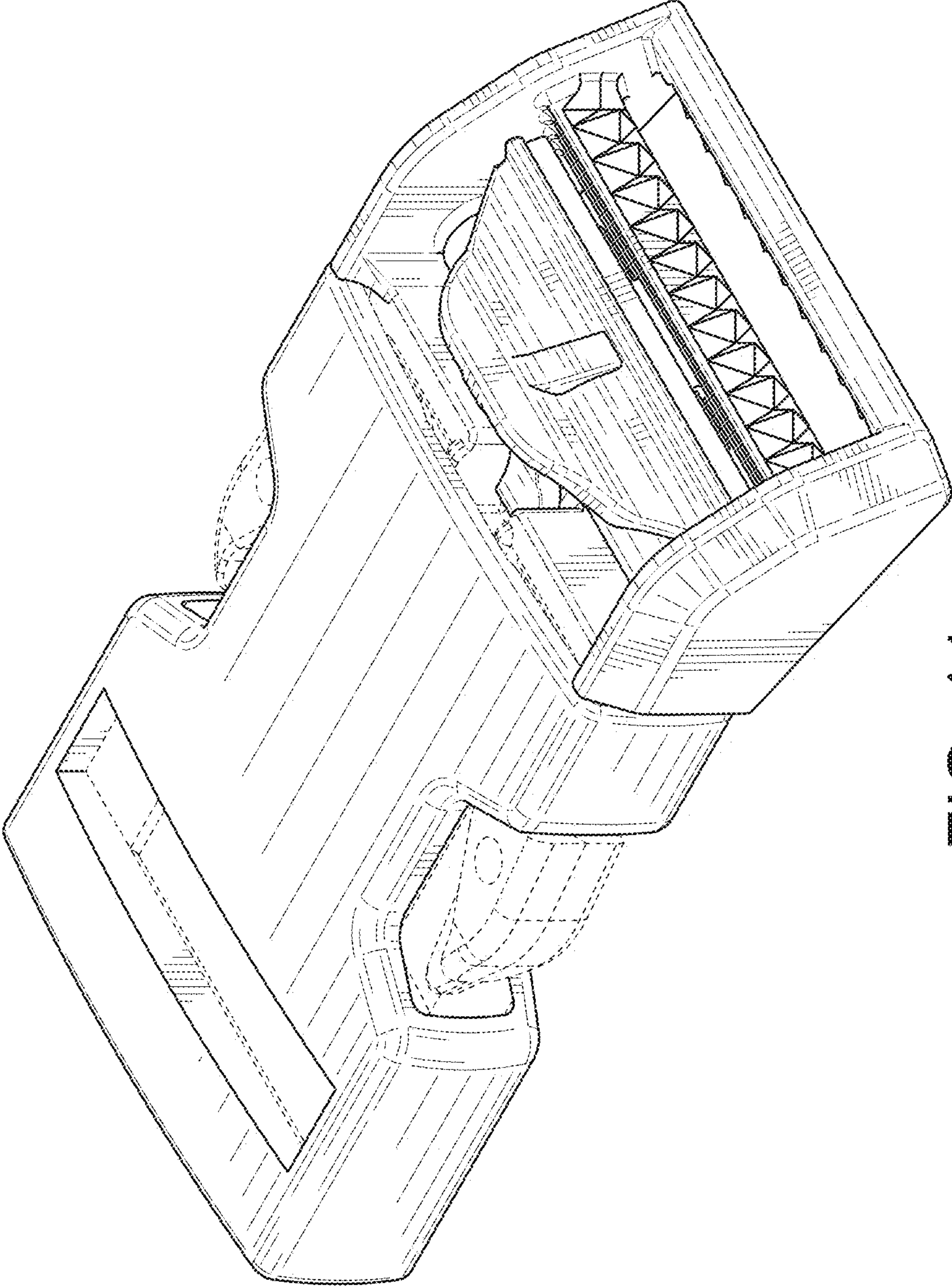


FIG. 11

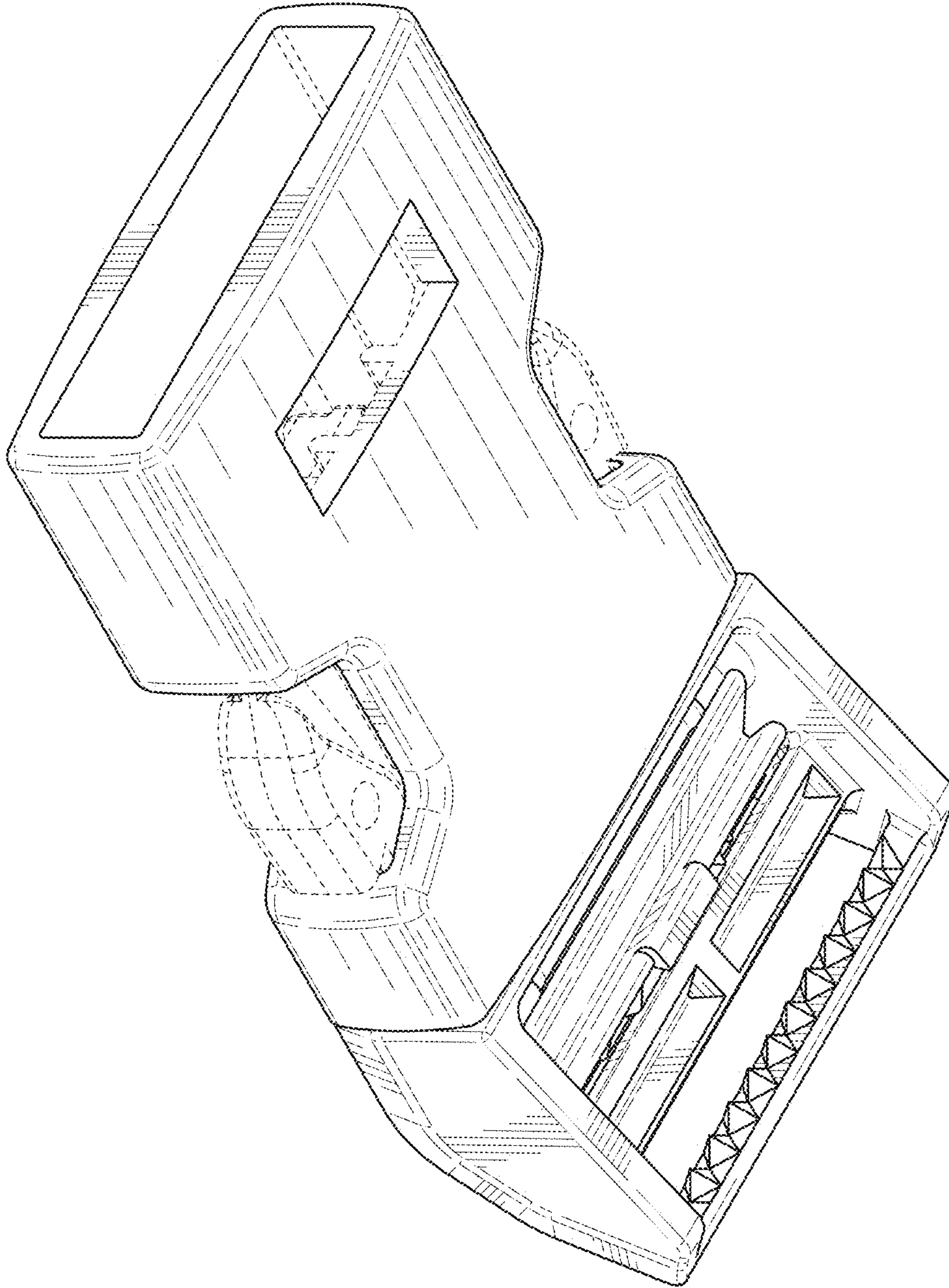


FIG. 12