



US00D955284S

(12) **United States Design Patent** (10) **Patent No.:** **US D955,284 S**  
**Padeh et al.** (45) **Date of Patent:** **\*\* Jun. 21, 2022**

(54) **OVAL CUSHION STONE**

FOREIGN PATENT DOCUMENTS

(71) Applicant: **Dov Padeh**, Cedarhurst, NY (US)

RU 00073300 \* 12/2009

(72) Inventors: **Dov Padeh**, Cedarhurst, NY (US); **Wolf Gluck**, Monroe, NY (US)

OTHER PUBLICATIONS

(73) Assignee: **Dov Padeh**, Cedarhurst, NY (US)

PC02-161A Modified Easy Way, Norman Steele, Nov. 1996, [online], [site visited Nov. 5, 2021]. Retrieved from url: <http://www.facetdiagrams.org/database/files/pc02161a.html> (Year: 1996).\*

(\*\*) Term: **15 Years**

\* cited by examiner

(21) Appl. No.: **29/764,237**

*Primary Examiner* — Tracey J Bell

(22) Filed: **Dec. 29, 2020**

(74) *Attorney, Agent, or Firm* — Ostrager Chong Flaherty & Broitman P.C.

(51) **LOC (13) Cl.** ..... **11-01**

(52) **U.S. Cl.**

USPC ..... **D11/90**

(58) **Field of Classification Search**

USPC ... D11/1, 3, 7, 8, 26, 34-40, 42, 43, 79, 86, D11/89-92, 16; D1/106, 127

CPC ..... A44C 17/00; A44C 17/001; A44C 17/002; A44C 17/003; A44C 17/005; A44C 17/006; A44C 17/007; A44C 17/008

See application file for complete search history.

(57) **CLAIM**

We claim the ornamental design for an oval cushion stone, as shown and described.

**DESCRIPTION**

(56) **References Cited**

U.S. PATENT DOCUMENTS

D506,698 S *	6/2005	Lax	.....	A44C 17/001
				D11/90
D596,525 S *	7/2009	Peled	.....	D11/90
D727,784 S *	4/2015	Siman-tov	.....	D11/90
D734,200 S *	7/2015	Rydlawicz	.....	D11/90
D738,778 S *	9/2015	Rydlawicz	.....	D11/90
D763,122 S *	8/2016	Rydlawicz	.....	D11/90
D839,770 S *	2/2019	Rydlawicz	.....	D11/90
D839,779 S *	2/2019	Rydlawicz	.....	D11/90
D852,084 S *	6/2019	Ho	.....	D11/92
D884,548 S *	5/2020	Kwiat	.....	D11/90
2011/0265514 A1 *	11/2011	Fakier	.....	A44C 17/001
				63/12

FIG. 1 is a top, front, and right side perspective view of an oval cushion stone;

FIG. 2 is a bottom, rear, and left side perspective view thereof;

FIG. 3 is a top view thereof;

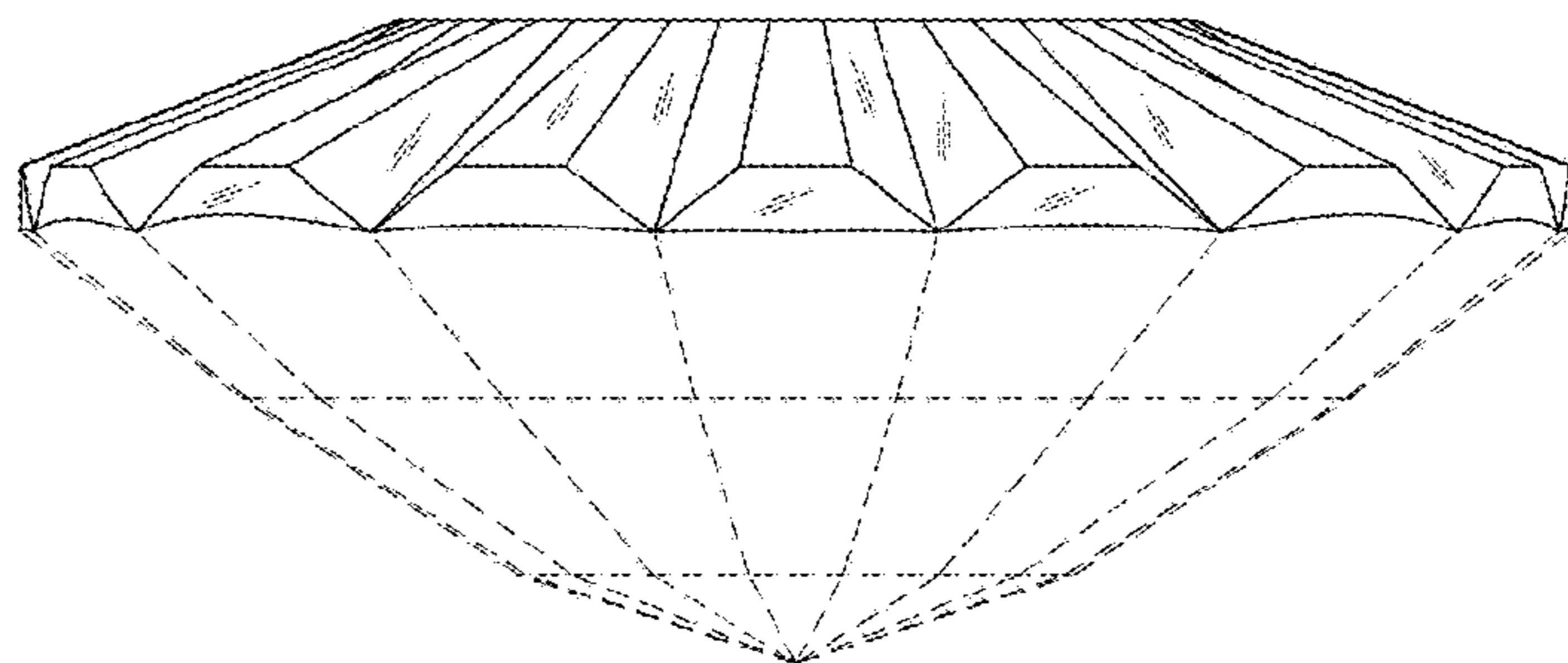
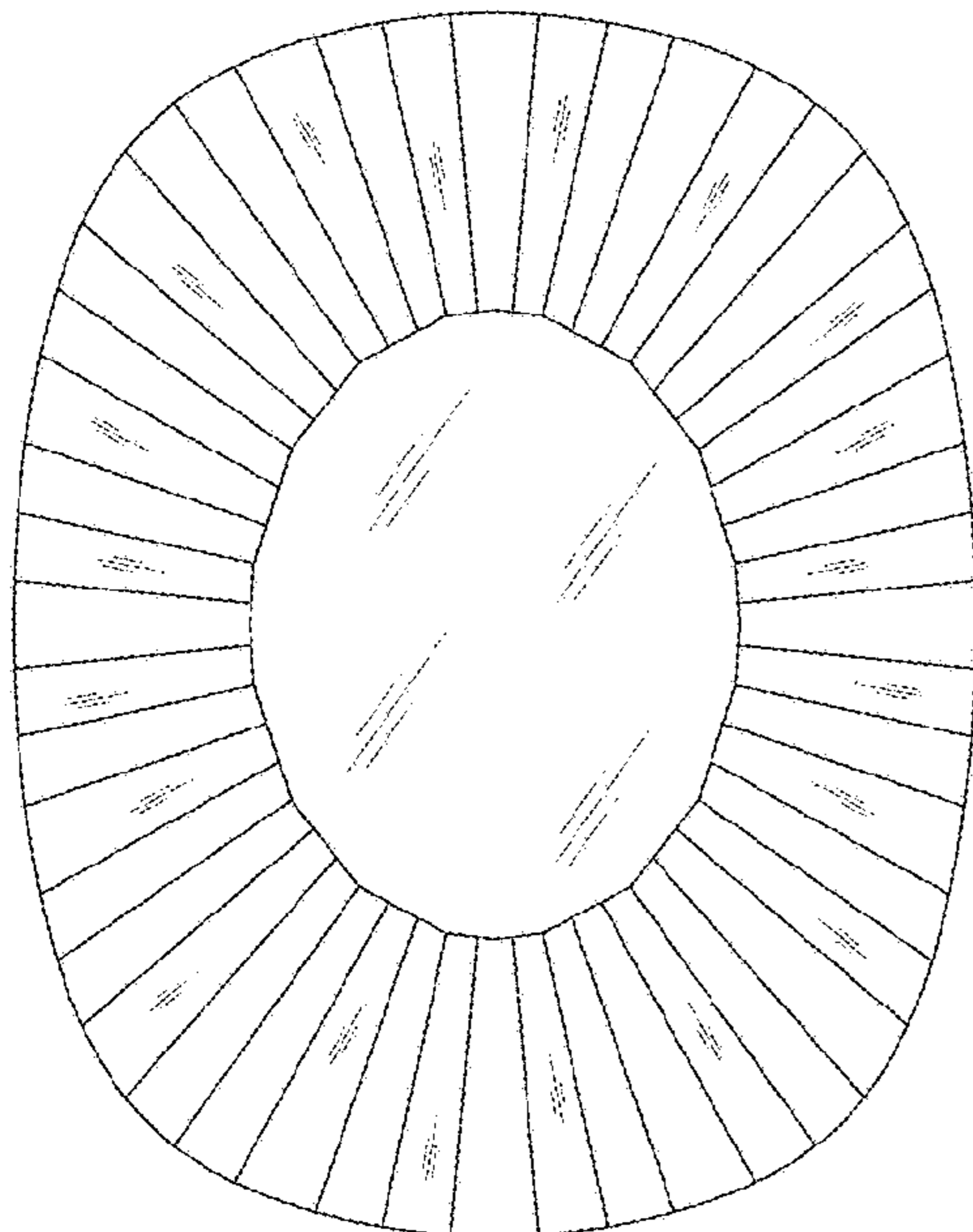
FIG. 4 is a bottom view thereof; and

FIG. 5 is a left side view thereof, the right side view being a mirror image thereof; and,

FIG. 6 is a front side view thereof, the rear side view being a mirror image thereof.

The broken lines in FIGS. 1, 2, 4, 5, and 6 depict portions of the oval cushion stone that form no part of the claimed design.

**1 Claim, 3 Drawing Sheets**



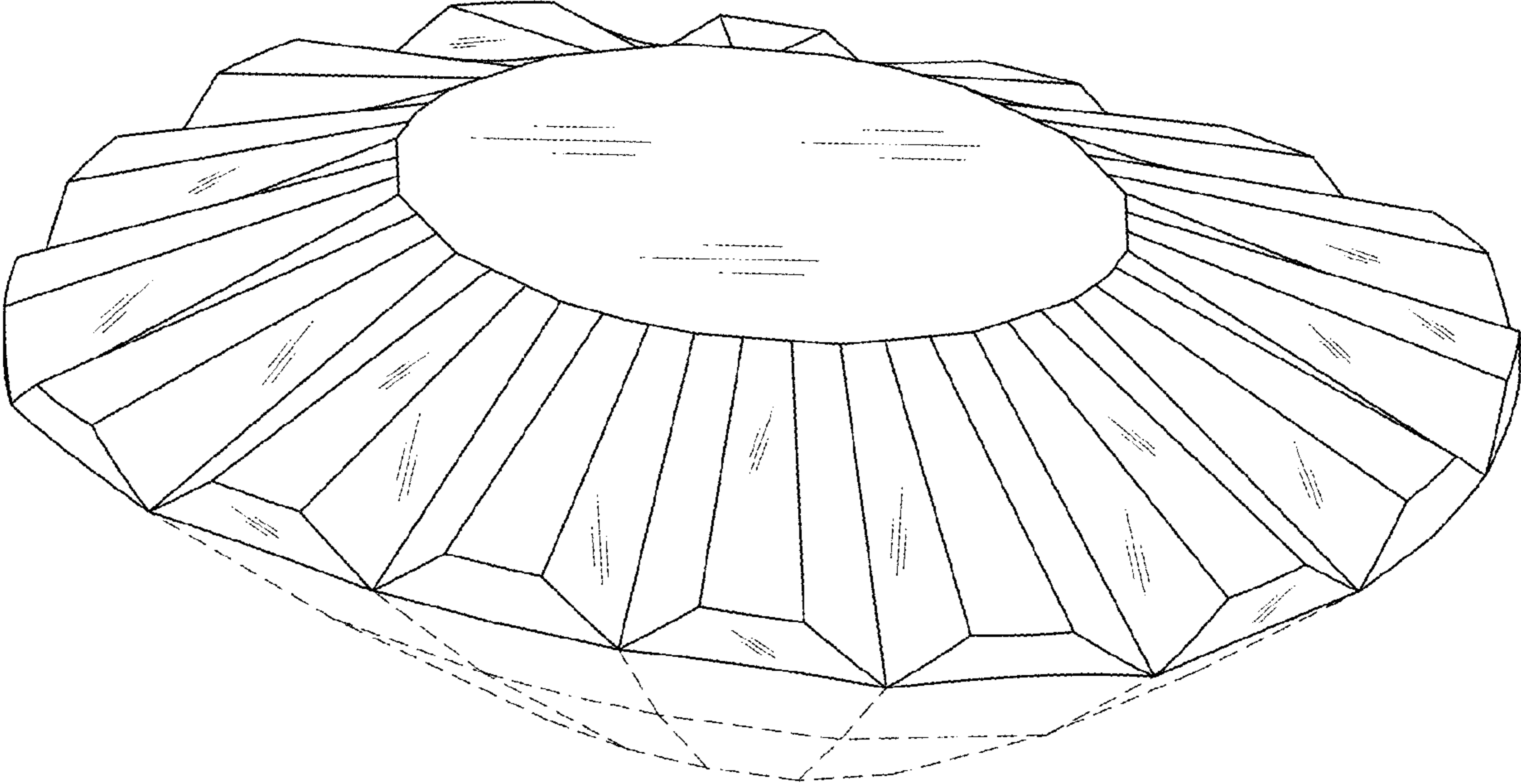


FIG. 1

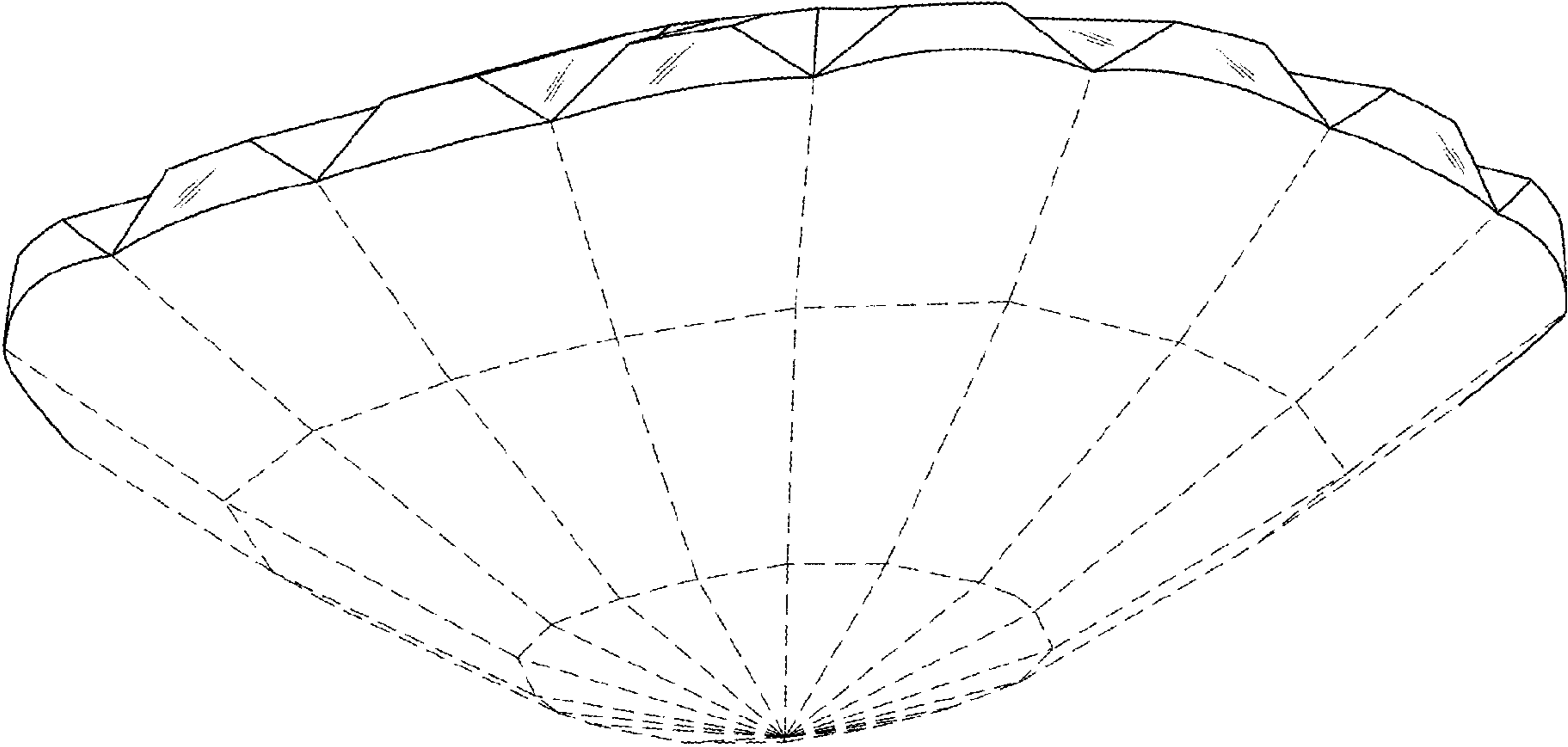


FIG. 2

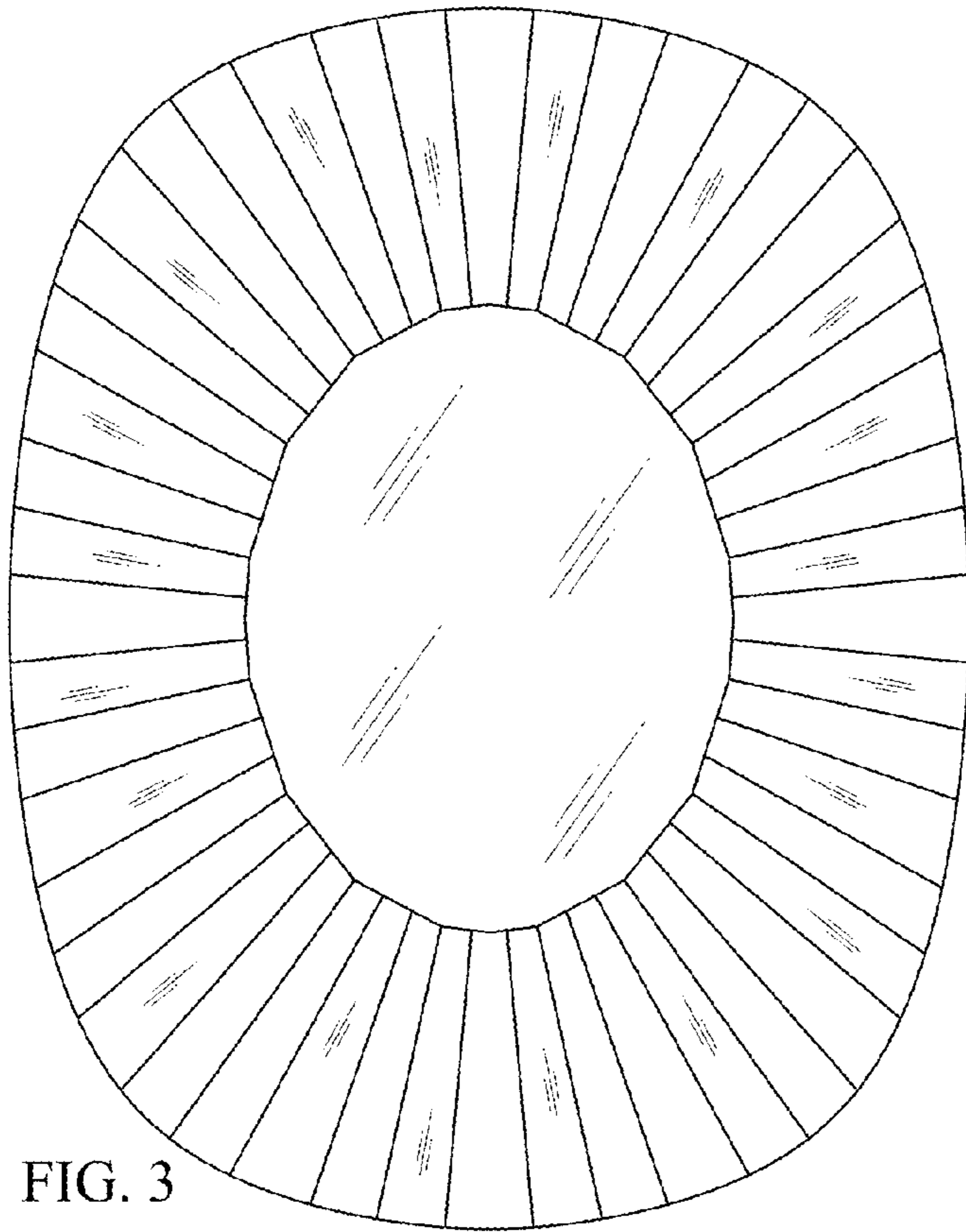


FIG. 3

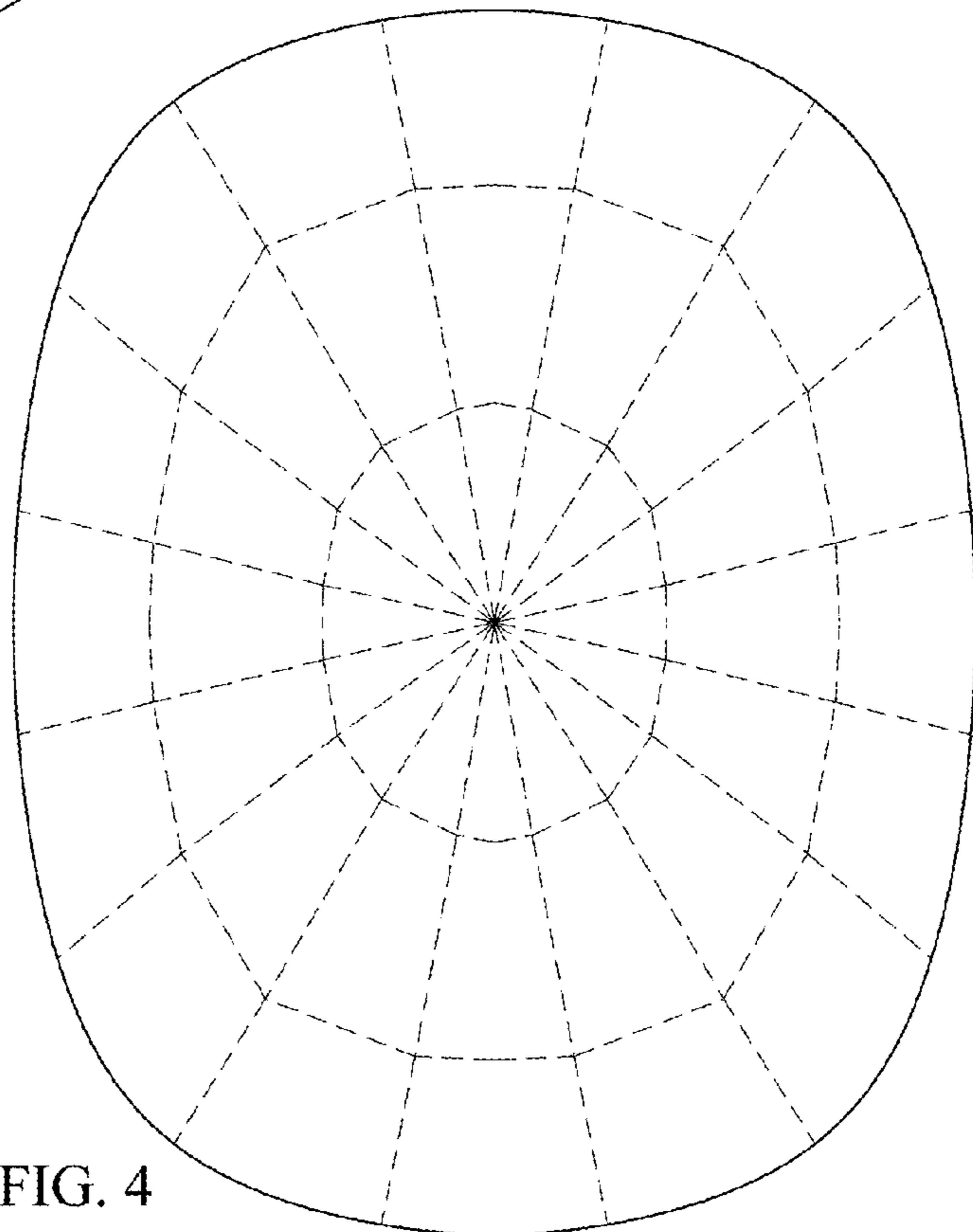


FIG. 4

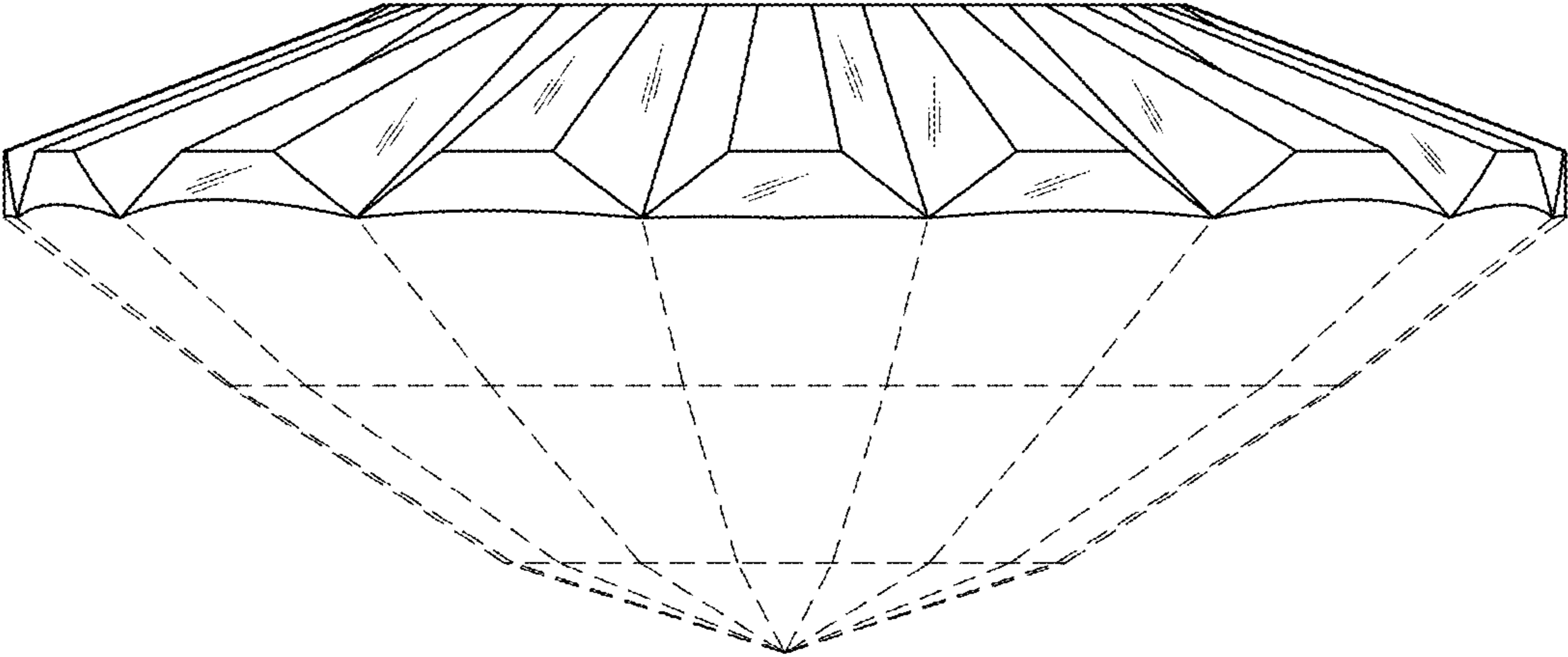


FIG. 5

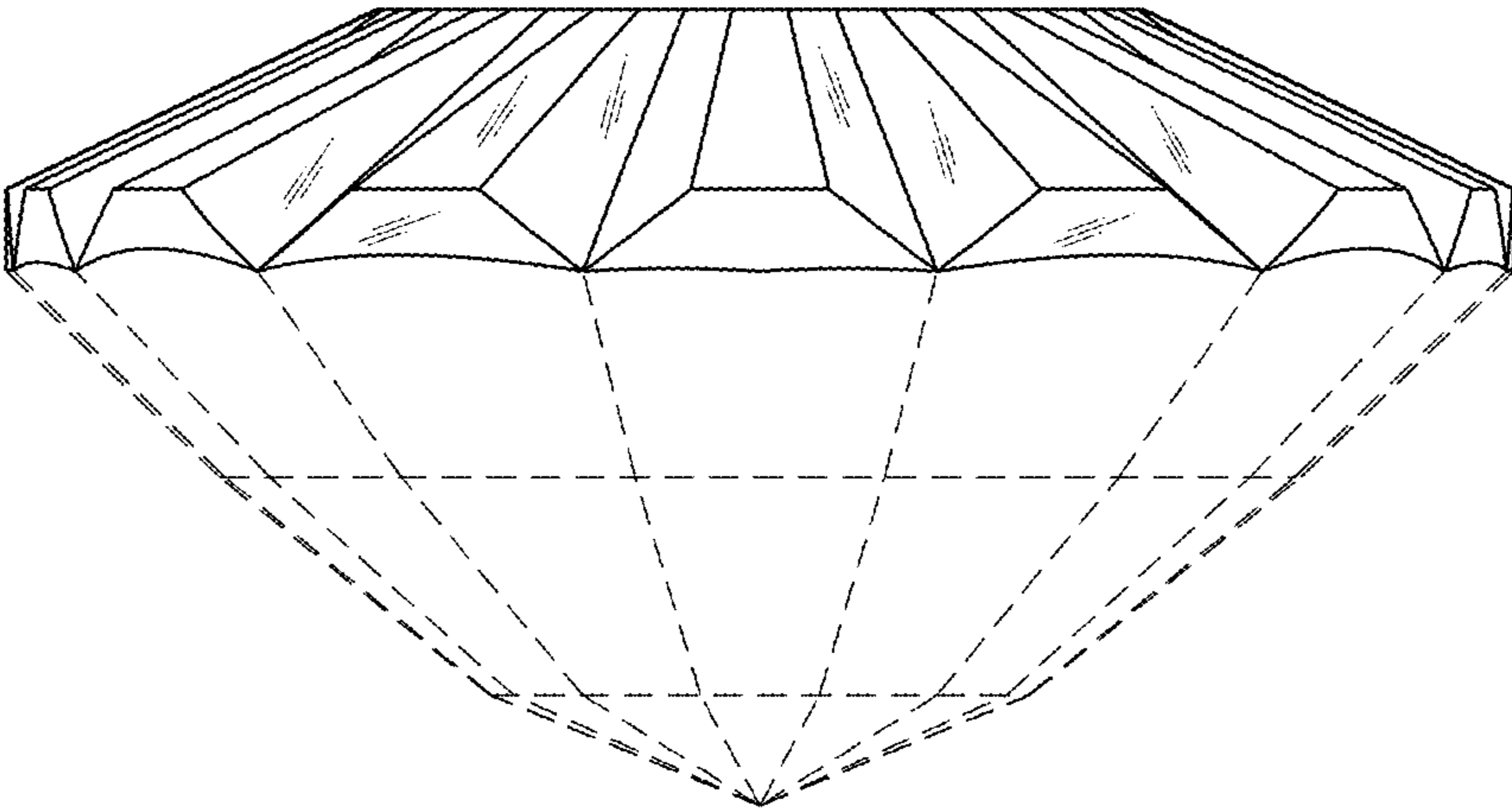


FIG. 6