



US00D955282S

(12) **United States Design Patent**
Padeh et al.

(10) **Patent No.:** **US D955,282 S**
(45) **Date of Patent:** **** Jun. 21, 2022**

(54) **CUSHION STONE**

FOREIGN PATENT DOCUMENTS

(71) Applicant: **Dov Padeh**, Cedarhurst, NY (US)

CN 300735533 * 1/2008

(72) Inventors: **Dov Padeh**, Cedarhurst, NY (US); **Wolf Gluck**, Monroe, NY (US)

OTHER PUBLICATIONS

(73) Assignee: **Dov Padeh**, Cedarhurst, NY (US)

PC02-161A Modified Easy Way, Norman Steele, Nov. 1996, [online], [site visited Nov. 5, 2021]. Retrieved from url: <http://www.facetdiagrams.org/database/files/pc02161a.html> (Year: 1996).*
Tampopo, Marco Voltolini, Apr. 6, 2011, [online] [site visited Nov. 3, 2021]. Retrieved from url: https://www.gemologyproject.com/wiki/index.php?title=Voltolini_-_Tampopo (Year: 2011).*

(**) Term: **15 Years**

* cited by examiner

(21) Appl. No.: **29/764,221**

(22) Filed: **Dec. 29, 2020**

(51) **LOC (13) Cl.** **11-01**

(52) **U.S. Cl.**
USPC **D11/90**

(58) **Field of Classification Search**
USPC ... D11/1, 3, 7, 8, 26, 34-40, 42, 43, 79, 86,
D11/89-92, 16; D1/106, 127
CPC A44C 17/00; A44C 17/001; A44C 17/002;
A44C 17/003; A44C 17/005; A44C
17/006; A44C 17/007; A44C 17/008
See application file for complete search history.

Primary Examiner — Tracey J Bell

(74) *Attorney, Agent, or Firm* — Ostrager Chong Flaherty & Broitman P.C.

(57) **CLAIM**

We claim the ornamental design for a cushion stone, as shown and described.

(56) **References Cited**

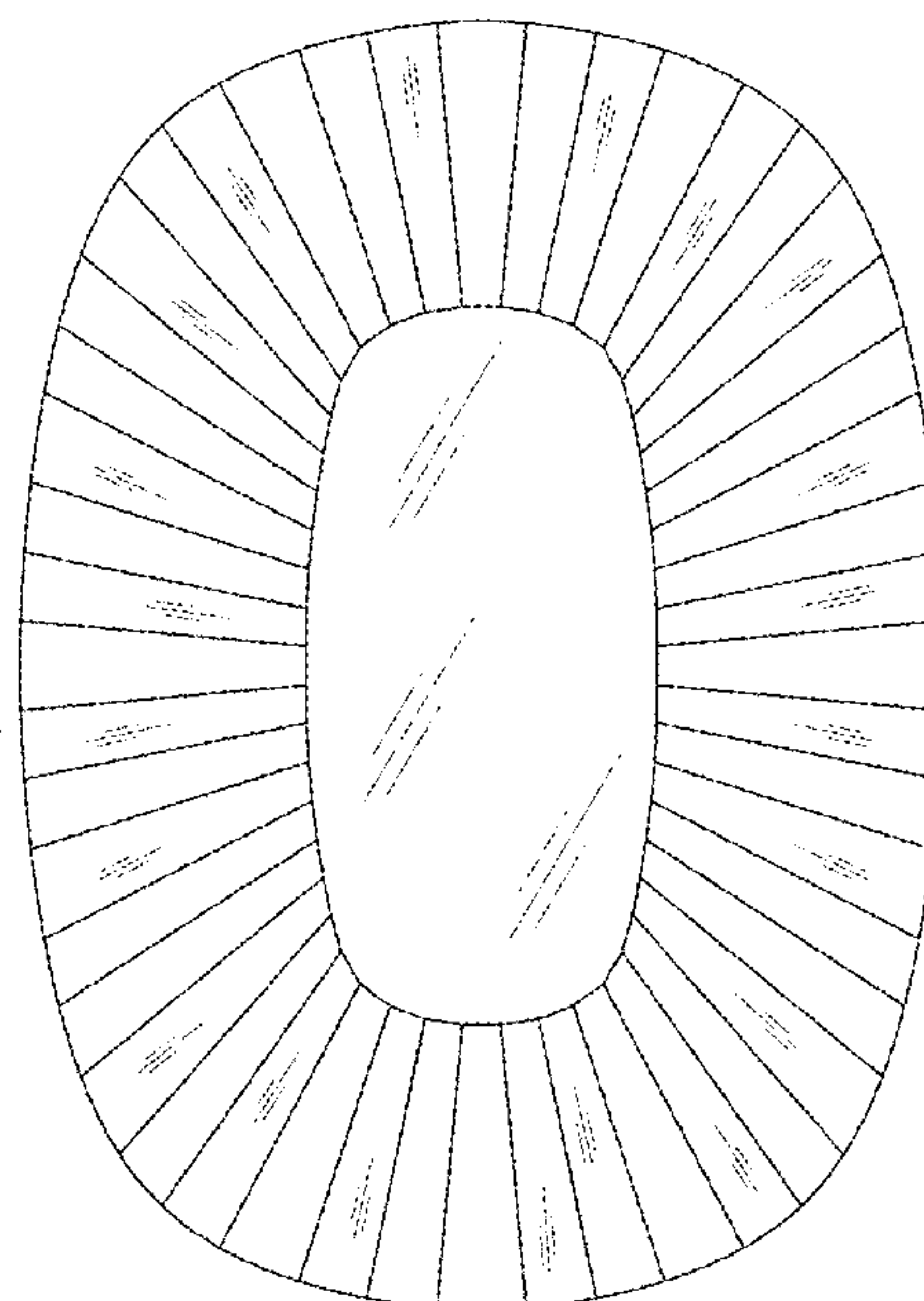
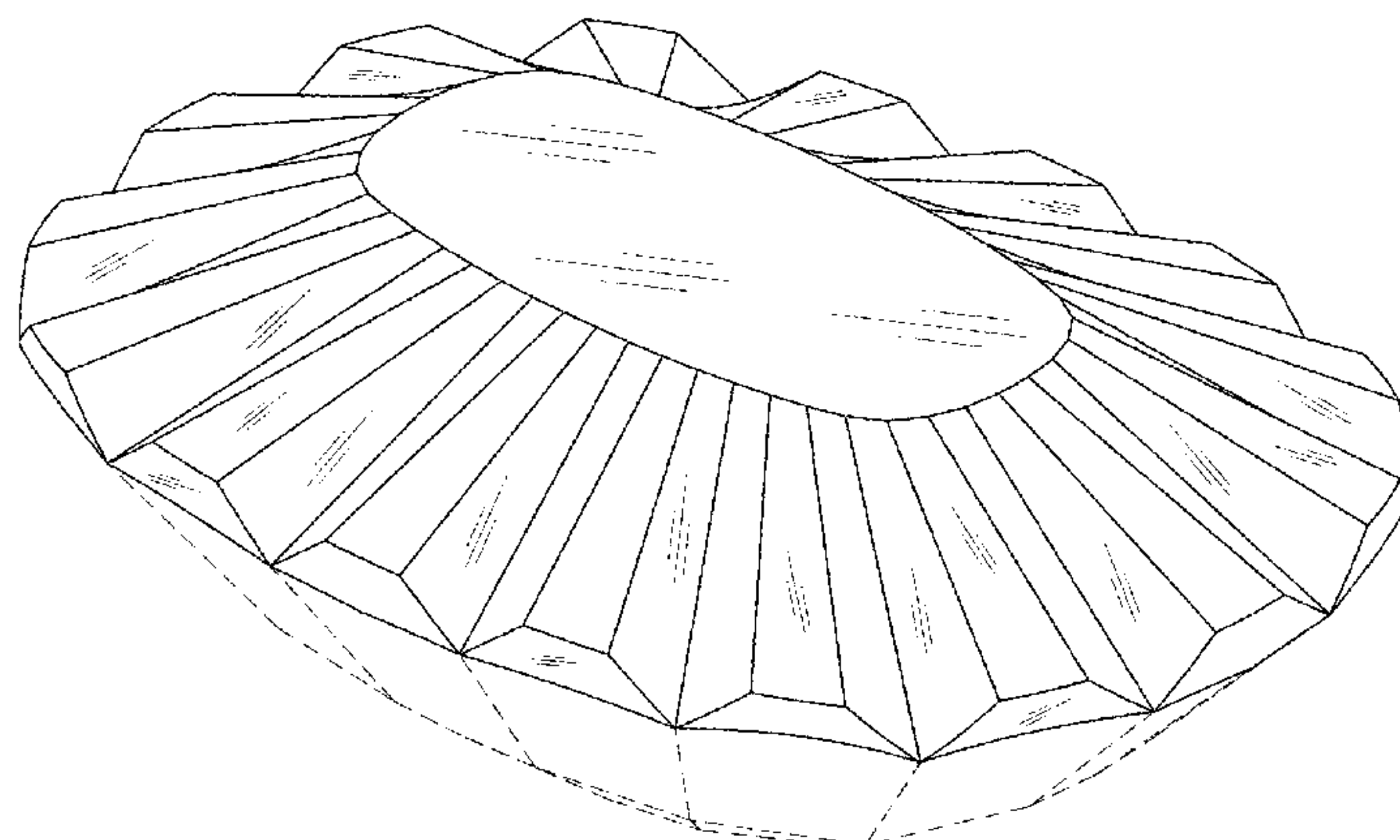
DESCRIPTION

U.S. PATENT DOCUMENTS

D502,665 S *	3/2005	Siman-Tov	D11/90
D571,250 S *	6/2008	Lichtenstein	D11/90
D596,525 S *	7/2009	Peled	D11/90
D608,684 S *	1/2010	Swarovski	D11/90
D647,815 S *	11/2011	Froehlich	D11/90
D738,778 S *	9/2015	Rydlwicz	D11/90
D749,459 S *	2/2016	Modi	D11/89
D773,337 S *	12/2016	Modi	D11/89
D839,779 S *	2/2019	Rydlwicz	D11/90
D868,615 S *	12/2019	Bhosale	D11/91
D886,659 S *	6/2020	Mehta	A44C 17/001
				D11/91
D897,886 S *	10/2020	Slowinski	D11/90
2011/0265514 A1 *	11/2011	Fakier	A44C 17/001
				63/12

FIG. 1 is a top, front, and right side perspective view of a cushion stone;
FIG. 2 is a bottom, rear, and left side perspective view thereof;
FIG. 3 is a top view thereof;
FIG. 4 is a bottom view thereof; and
FIG. 5 is a left side view thereof, the right side view being a mirror image thereof; and,
FIG. 6 is a front side view thereof, the rear side view being a mirror image thereof.
The broken lines in FIGS. 1, 2, 4, 5, and 6 depict portions of the cushion stone that form no part of the claimed design.

1 Claim, 3 Drawing Sheets



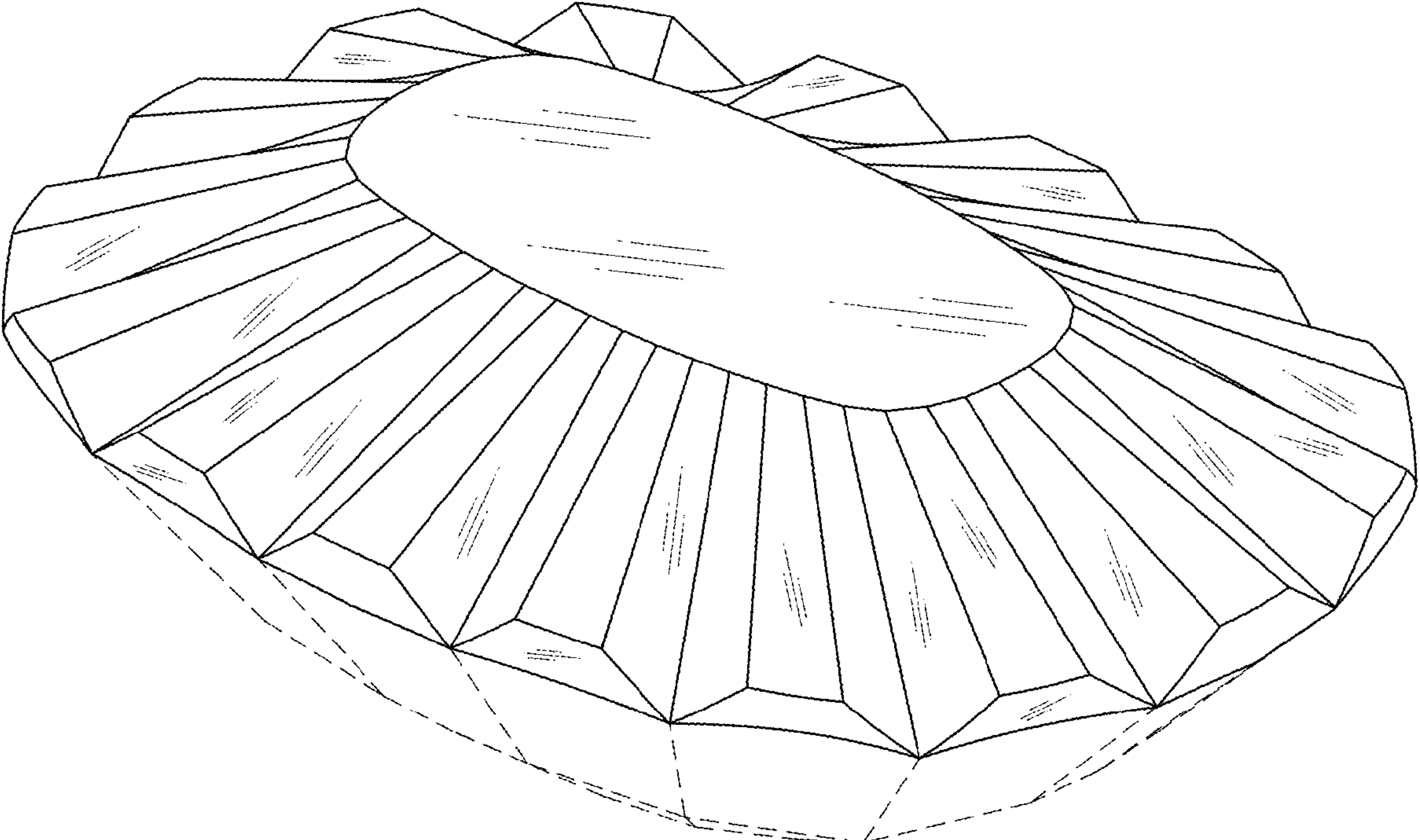


FIG. 1

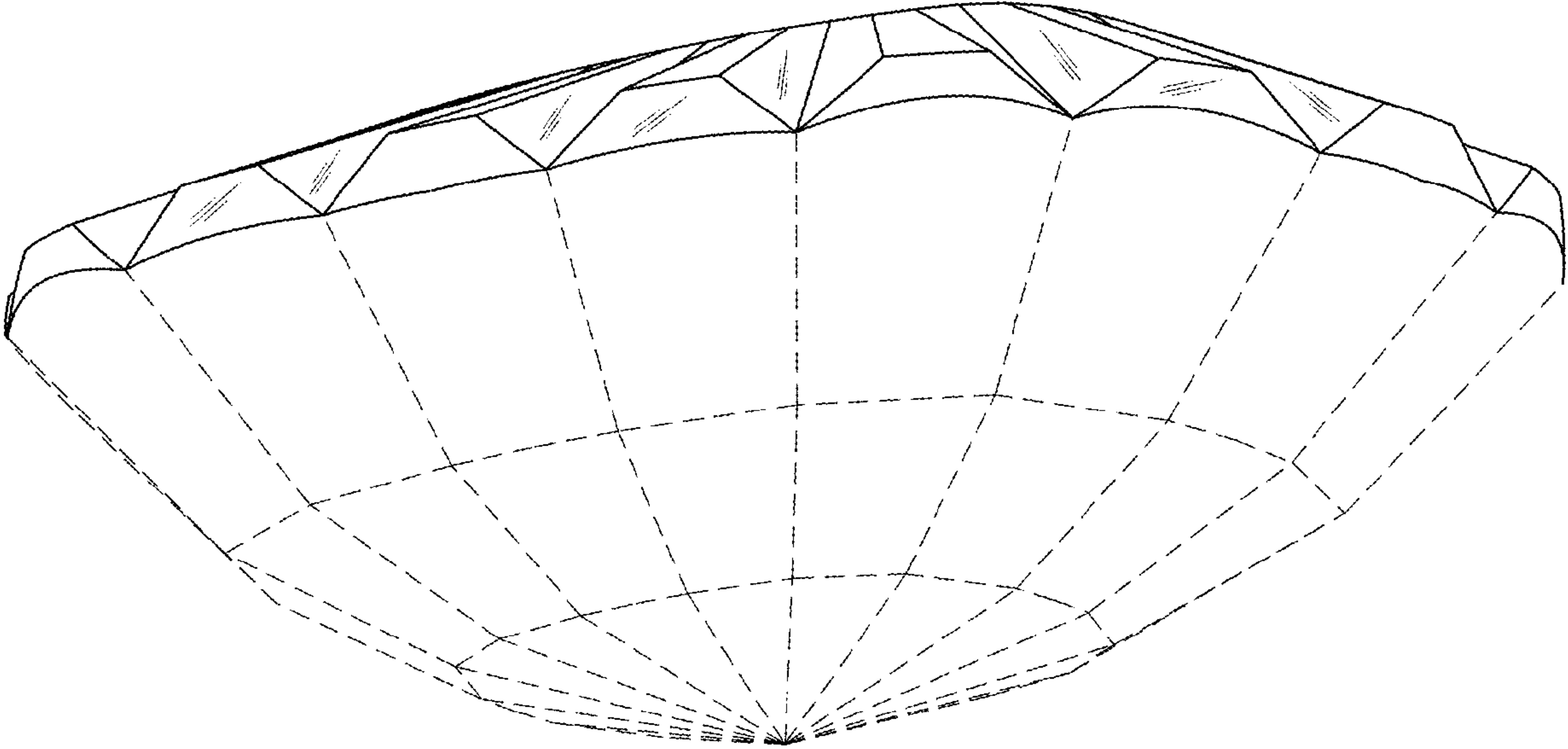


FIG. 2

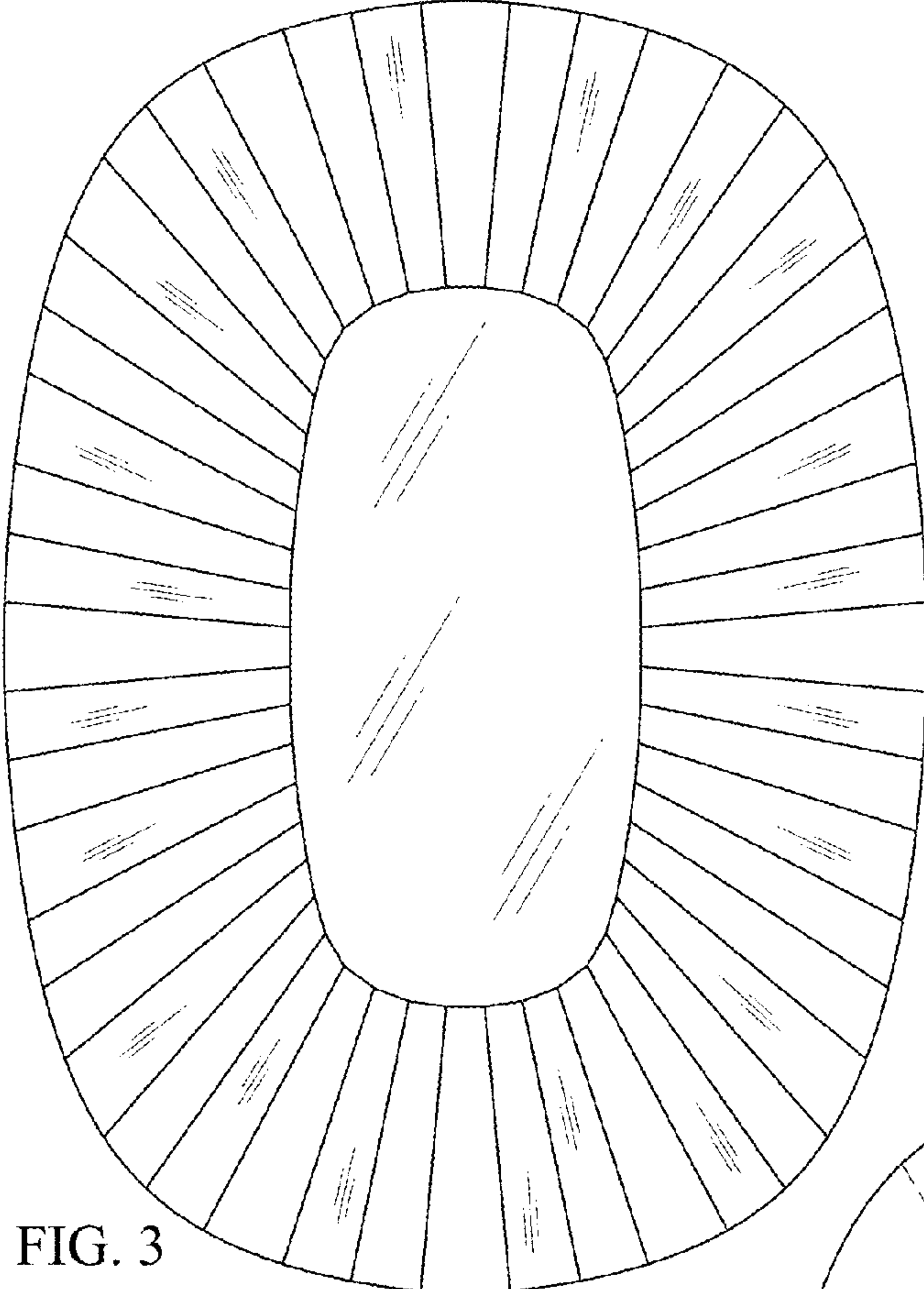


FIG. 3

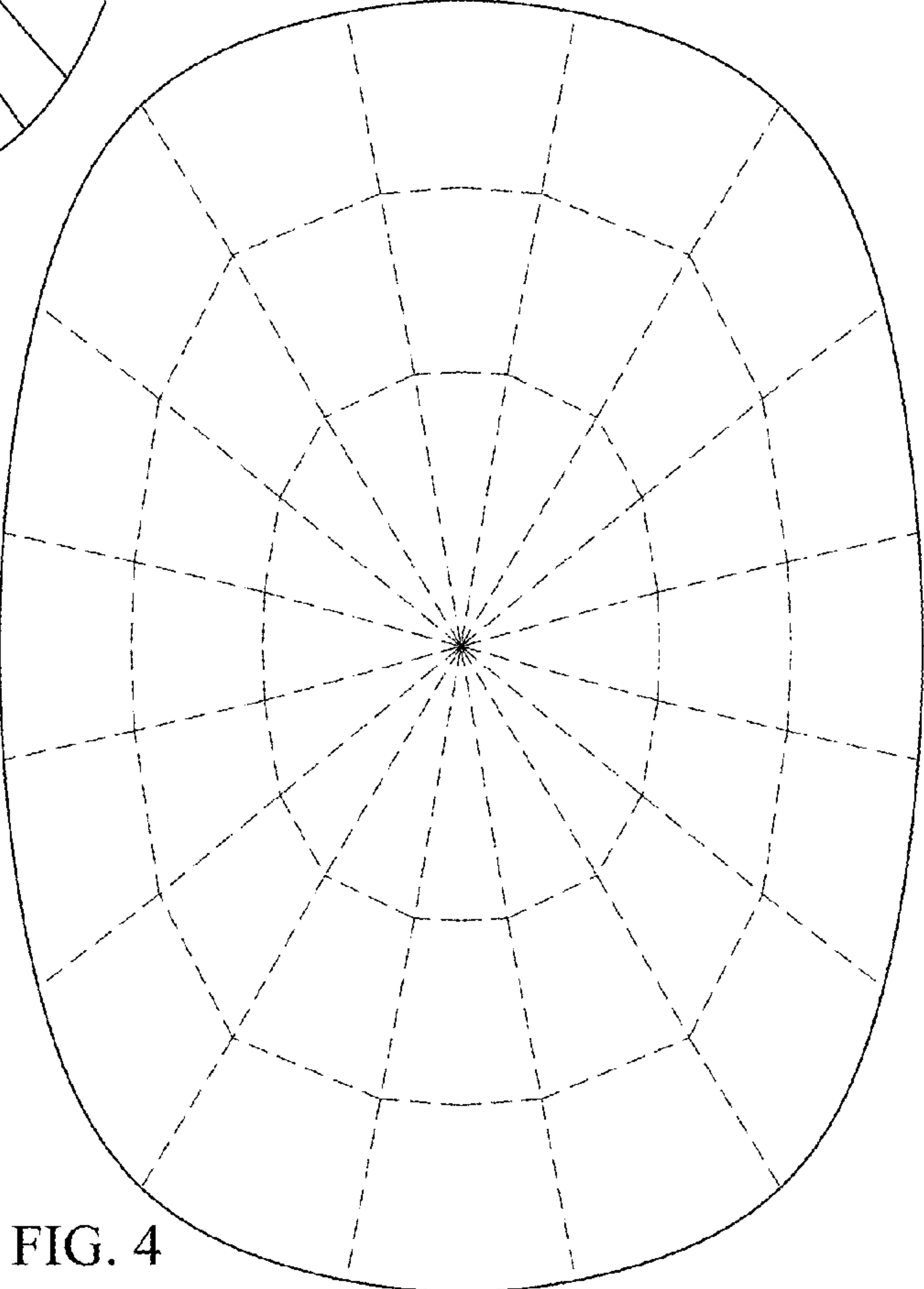


FIG. 4

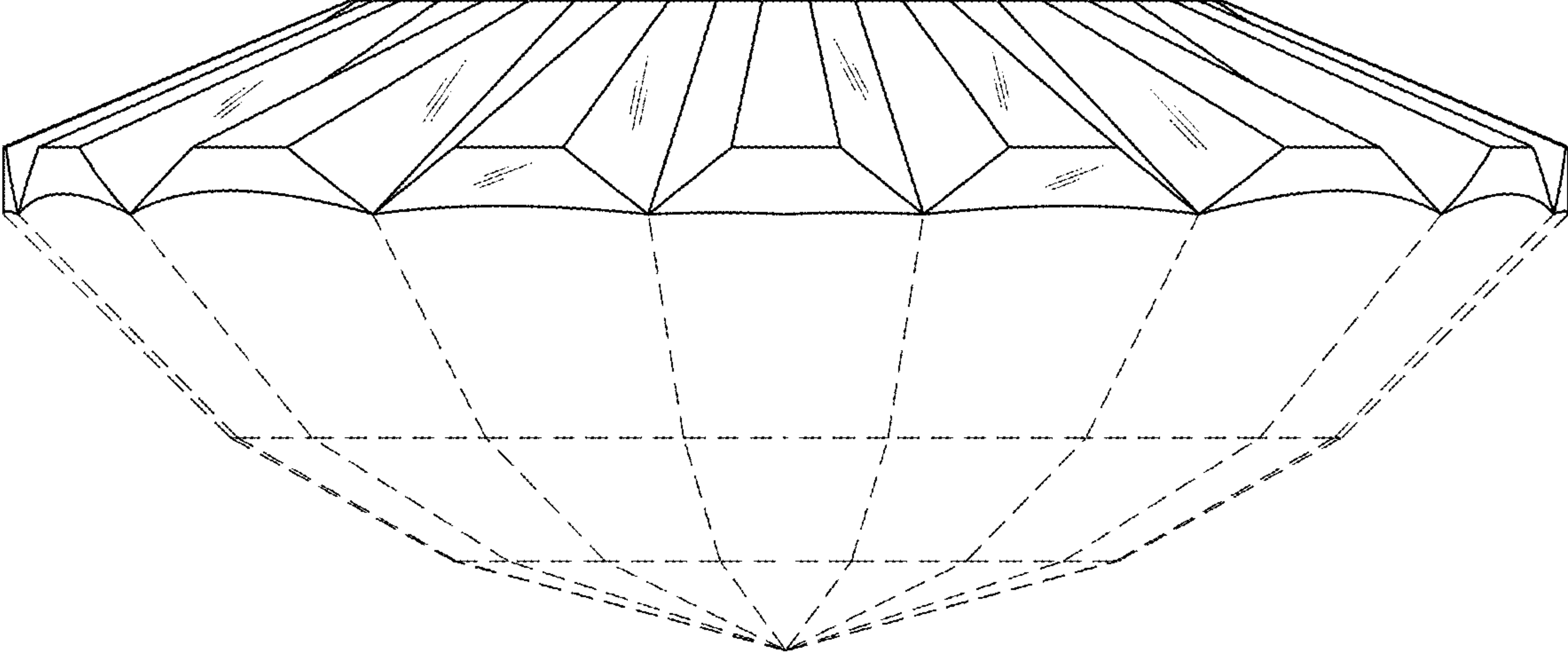


FIG. 5

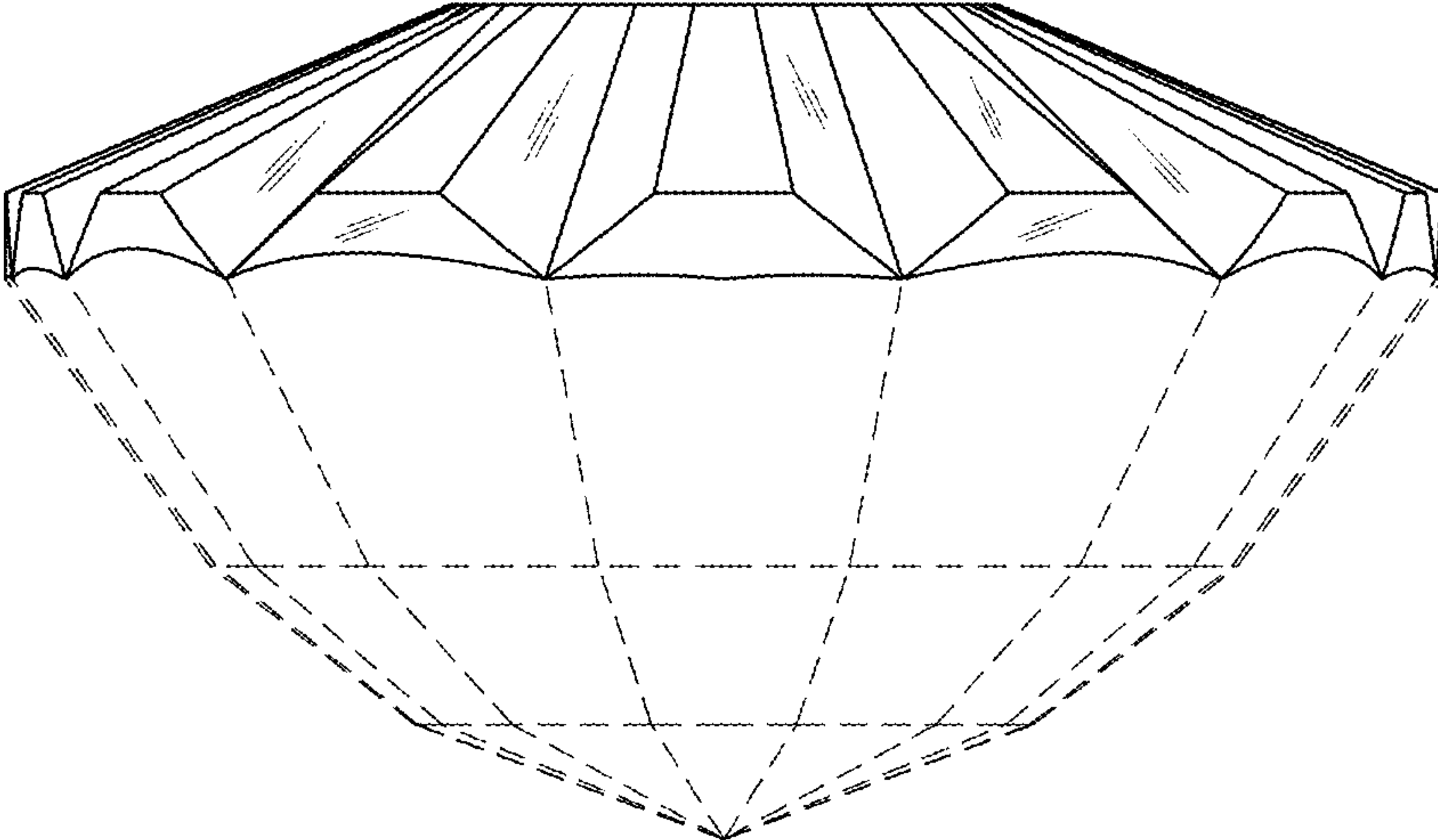


FIG. 6