



US00D955279S

(12) **United States Design Patent**
Padeh et al.

(10) **Patent No.: US D955,279 S**
(45) **Date of Patent: ** Jun. 21, 2022**

(54) **PEAR STONE**

FOREIGN PATENT DOCUMENTS

(71) Applicant: **Dov Padeh**, Cedarhurst, NY (US)
(72) Inventors: **Dov Padeh**, Cedarhurst, NY (US); **Wolf Gluck**, Monroe, NY (US)

CN 300735536 * 1/2008
CN 301859878 * 3/2012

(73) Assignee: **Dov Padeh**, Cedarhurst, NY (US)

(**) Term: **15 Years**

OTHER PUBLICATIONS

(21) Appl. No.: **29/764,211**

Utopia, Jeff R. Graham, as archived on May 2, 2012, [online], [site visited on Nov. 5, 2021]. Retrieved from url:https://web.archive.org/web/20120502035526/http://www.faceters.com:80/designs/utopia.shtml (Year: 2012).*

(22) Filed: **Dec. 29, 2020**

Tampopo, Marco Voltolini, Apr. 6, 2011, [online] [site visited Nov. 3, 2021]. Retrieved from url:https://www.gemologyproject.com/wiki/index.php?title=Voltolini_-_Tampopo (Year: 2011).*

(51) **LOC (13) Cl.** **11-01**

* cited by examiner

(52) **U.S. Cl.**
USPC **D11/90**

Primary Examiner — Tracey J Bell

(58) **Field of Classification Search**
USPC ... D11/1, 3, 7, 8, 26, 34-40, 42, 43, 79, 86,
D11/89-92, 16
CPC A44C 17/00; A44C 17/001; A44C 17/002;
A44C 17/003; A44C 17/005; A44C
17/006; A44C 17/007; A44C 17/008
See application file for complete search history.

(74) *Attorney, Agent, or Firm* — Ostrager Chong Flaherty & Broitman P.C.

(57) **CLAIM**

We claim the ornamental design for a pear stone, as shown and described.

DESCRIPTION

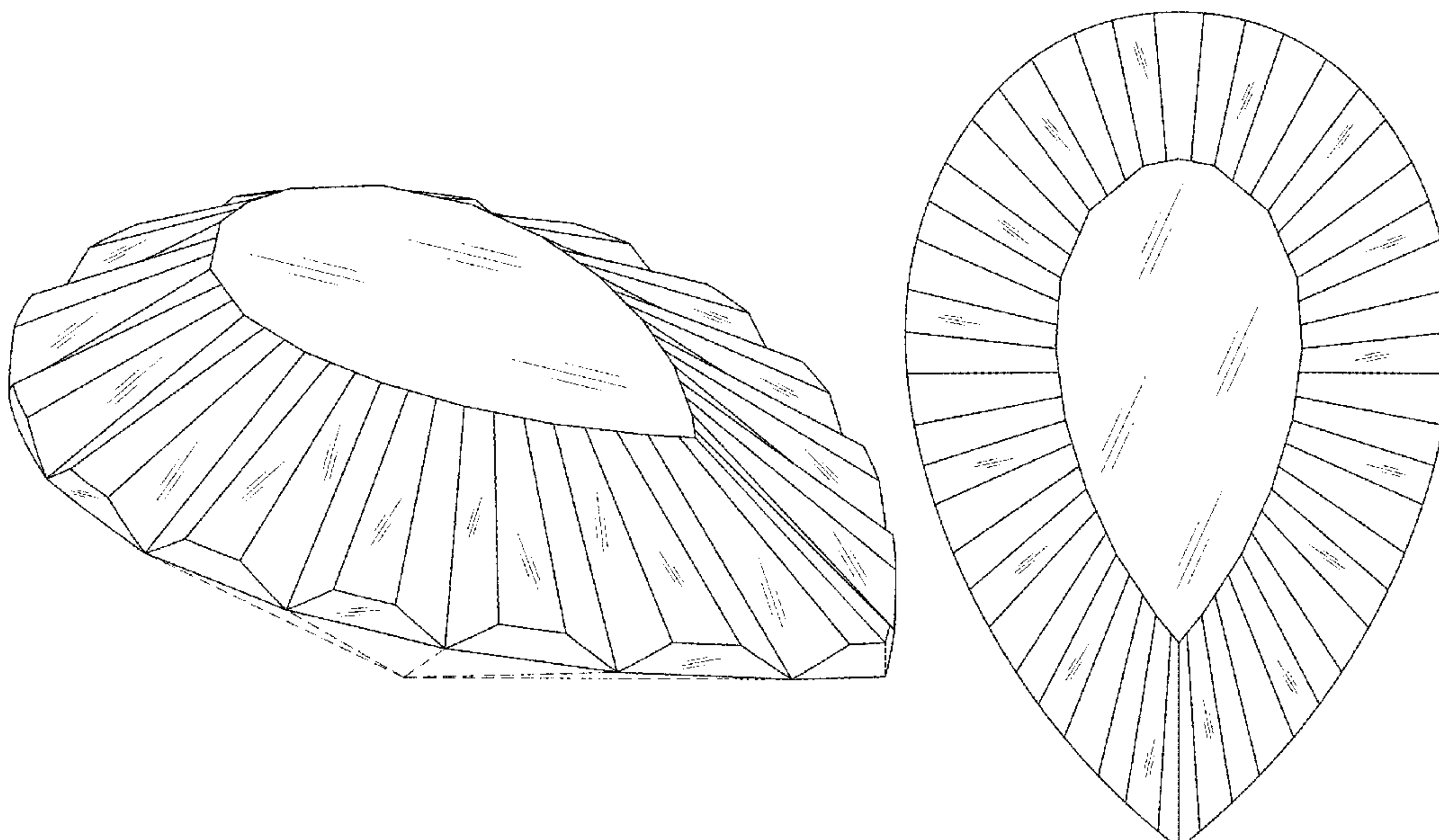
(56) **References Cited**

U.S. PATENT DOCUMENTS

D444,098 S *	6/2001	Hurwitz	D11/90
D501,423 S *	2/2005	Tolkowsky	D11/90
D568,200 S *	5/2008	Chui	D11/90
D588,041 S *	3/2009	Swarovski	D11/90
D607,366 S *	1/2010	Schweiger	D11/89
D608,683 S *	1/2010	Swarovski	D11/90
D671,859 S *	12/2012	Gersh	D11/89
D801,850 S *	11/2017	Rydlwicz	D11/89
D809,963 S *	2/2018	Mehta	D11/89
D820,717 S *	6/2018	Mitchener	D11/89
D874,330 S *	2/2020	Bhosale	D11/91
D878,960 S *	3/2020	Rydlwicz	D11/89
D883,846 S *	5/2020	Mehta	D11/90

FIG. 1 is a top, front, and right side perspective view of a pear stone;
FIG. 2 is a bottom, rear, and left side perspective view thereof;
FIG. 3 is a top view thereof;
FIG. 4 is a bottom view thereof;
FIG. 5 is a right side view thereof, the left side view being a mirror image thereof;
FIG. 6 is a front side view thereof; and,
FIG. 7 is a rear side view thereof.
The broken lines in FIGS. 1, 2, 4, 5, 6, and 7 depict portions of the pear stone that form no part of the claimed design.

1 Claim, 4 Drawing Sheets



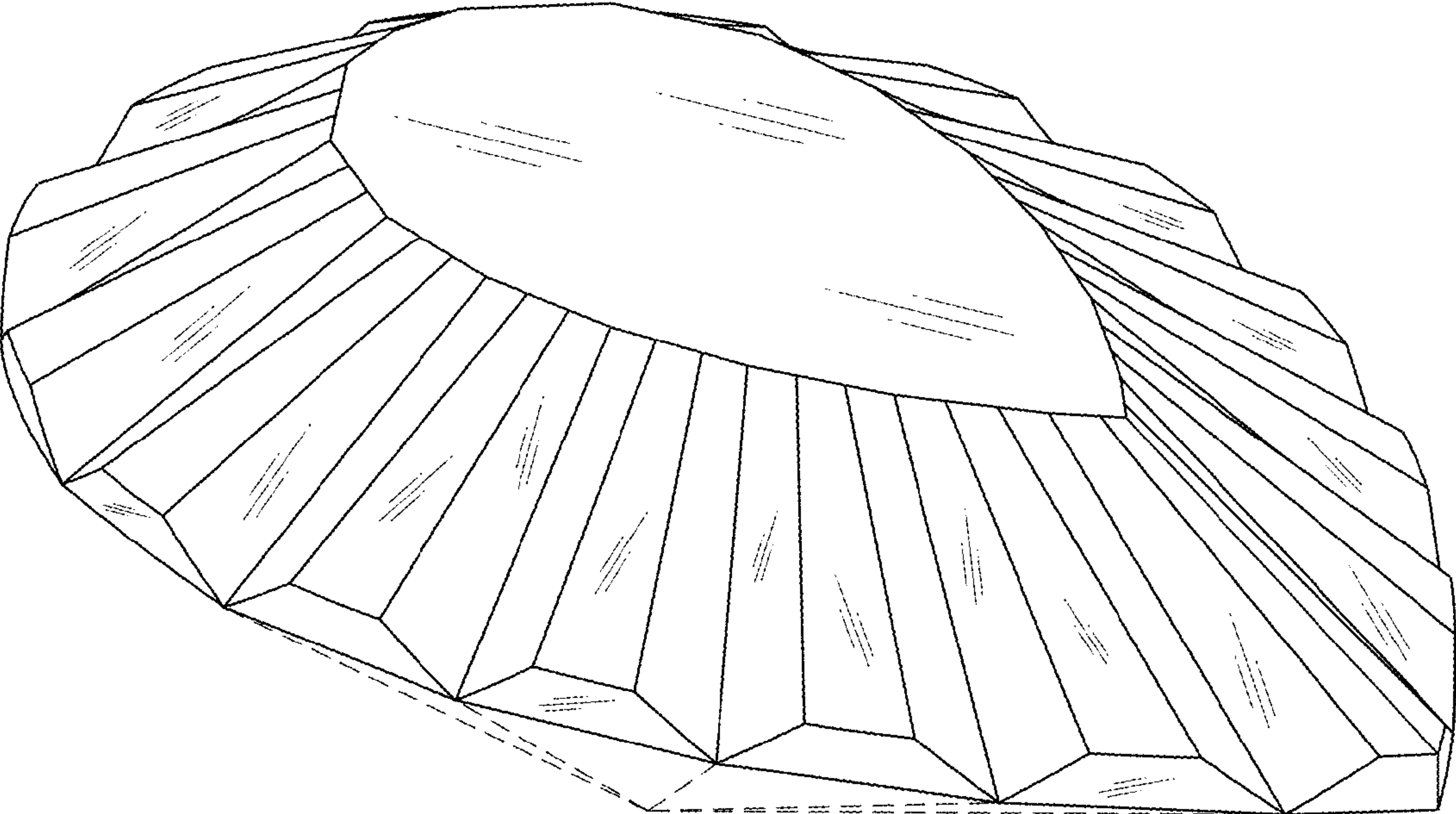


FIG. 1

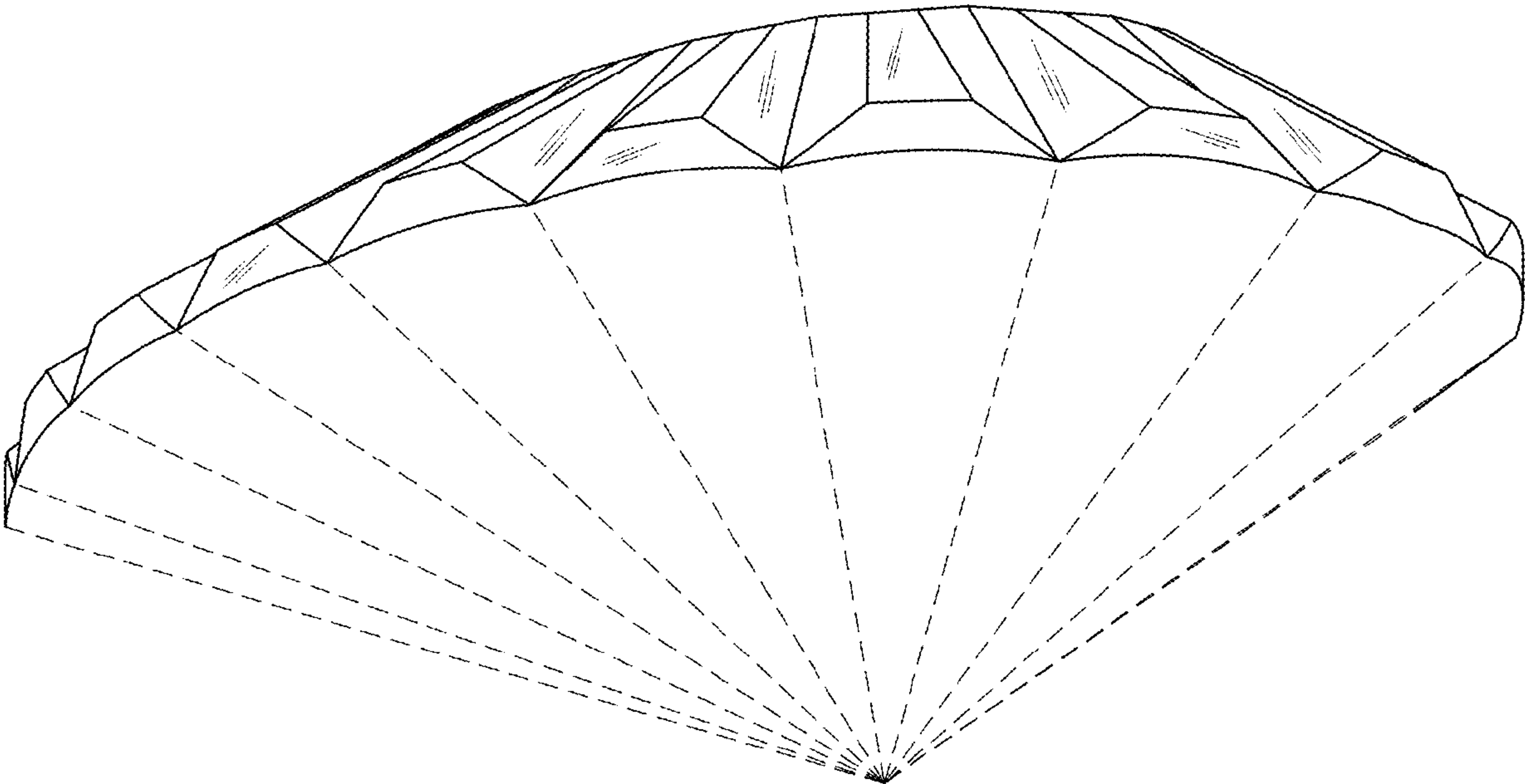


FIG. 2

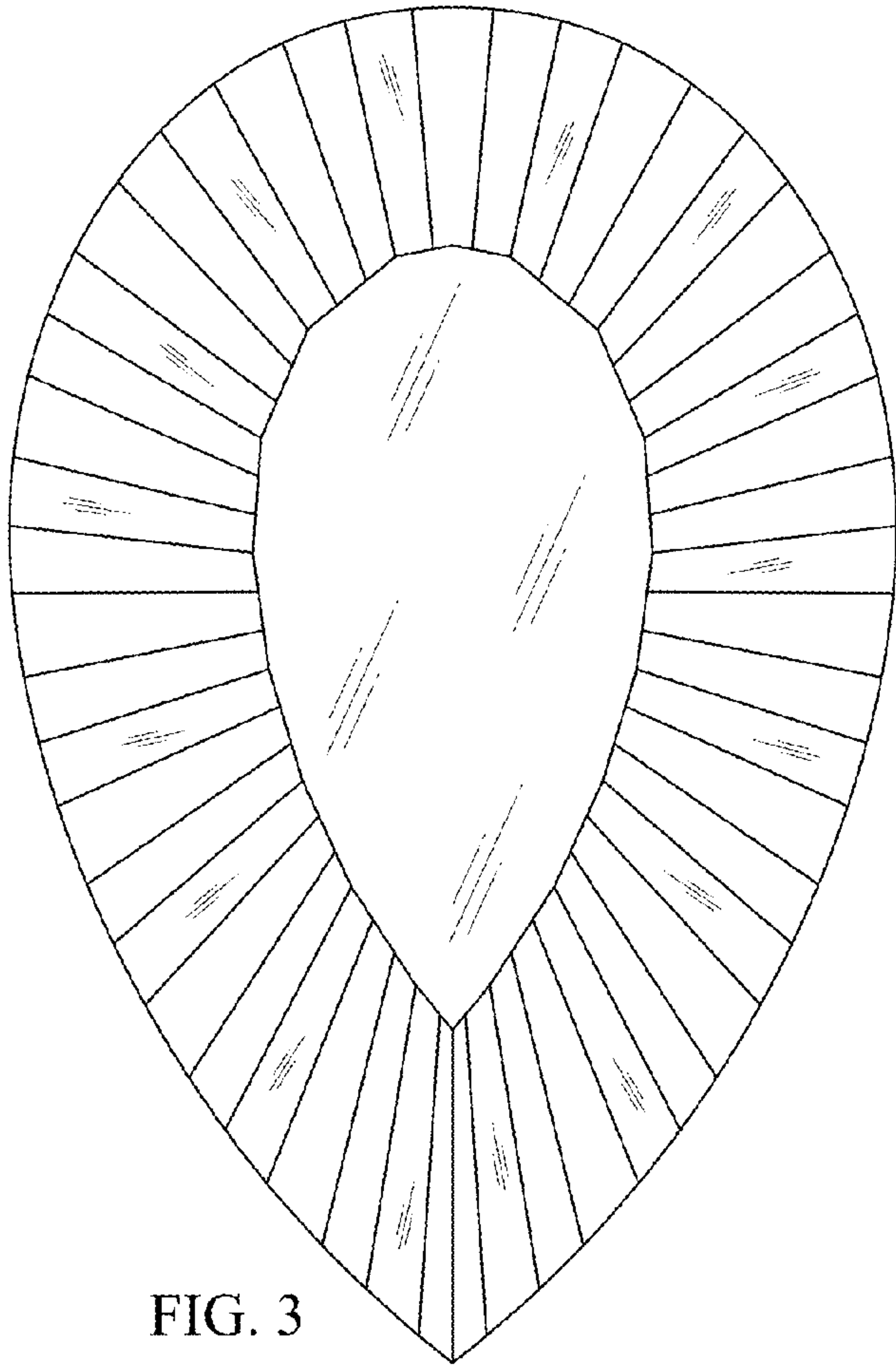


FIG. 3

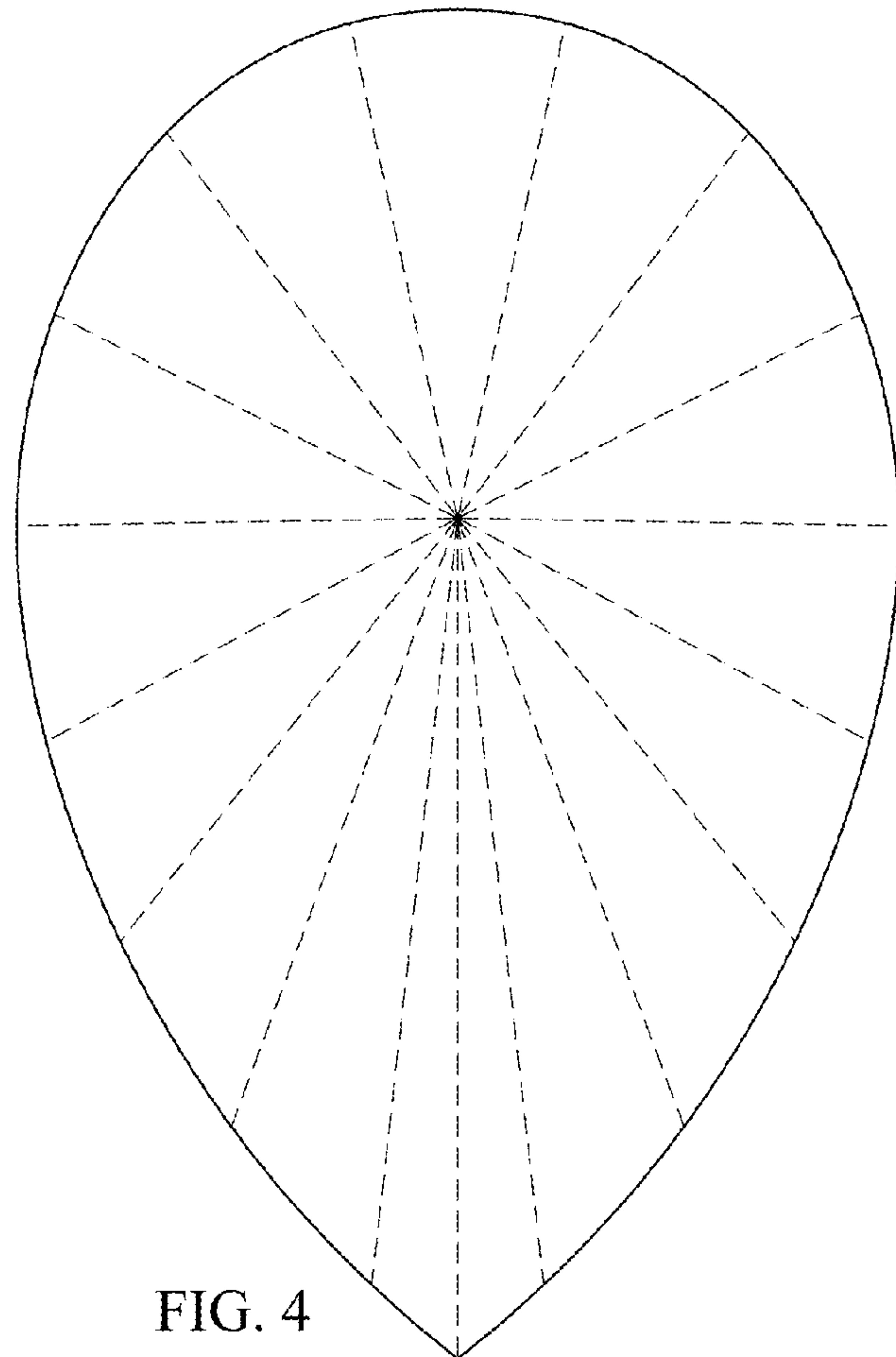


FIG. 4

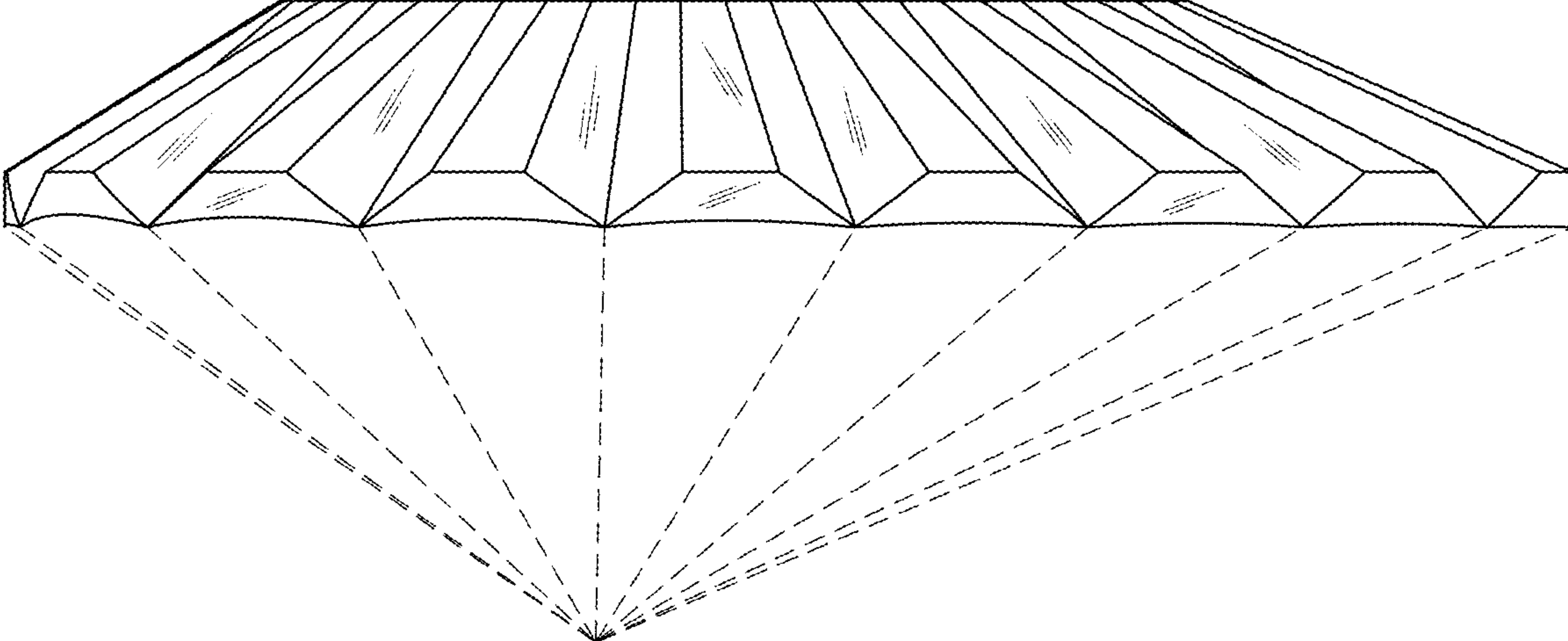


FIG. 5

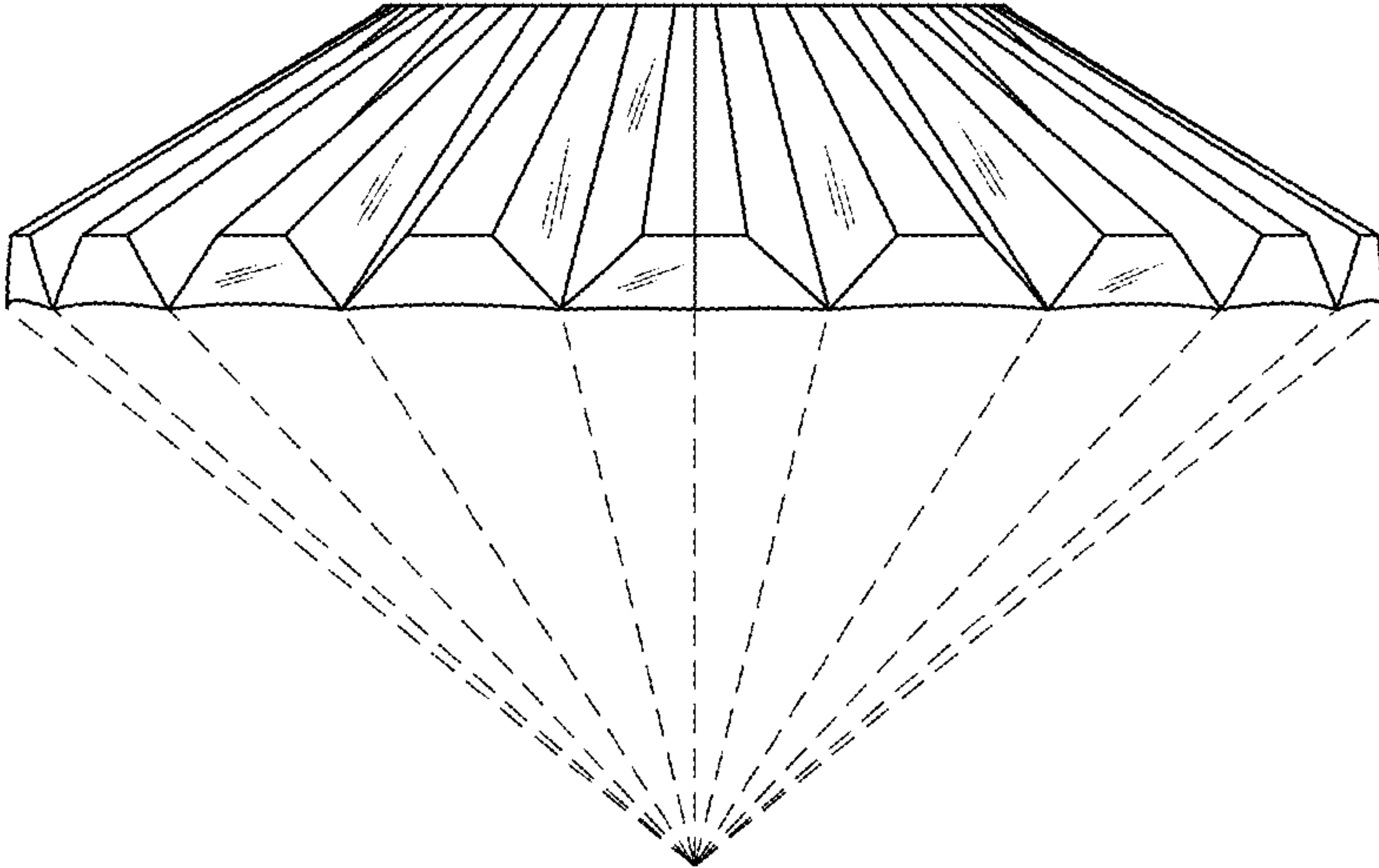


FIG. 6

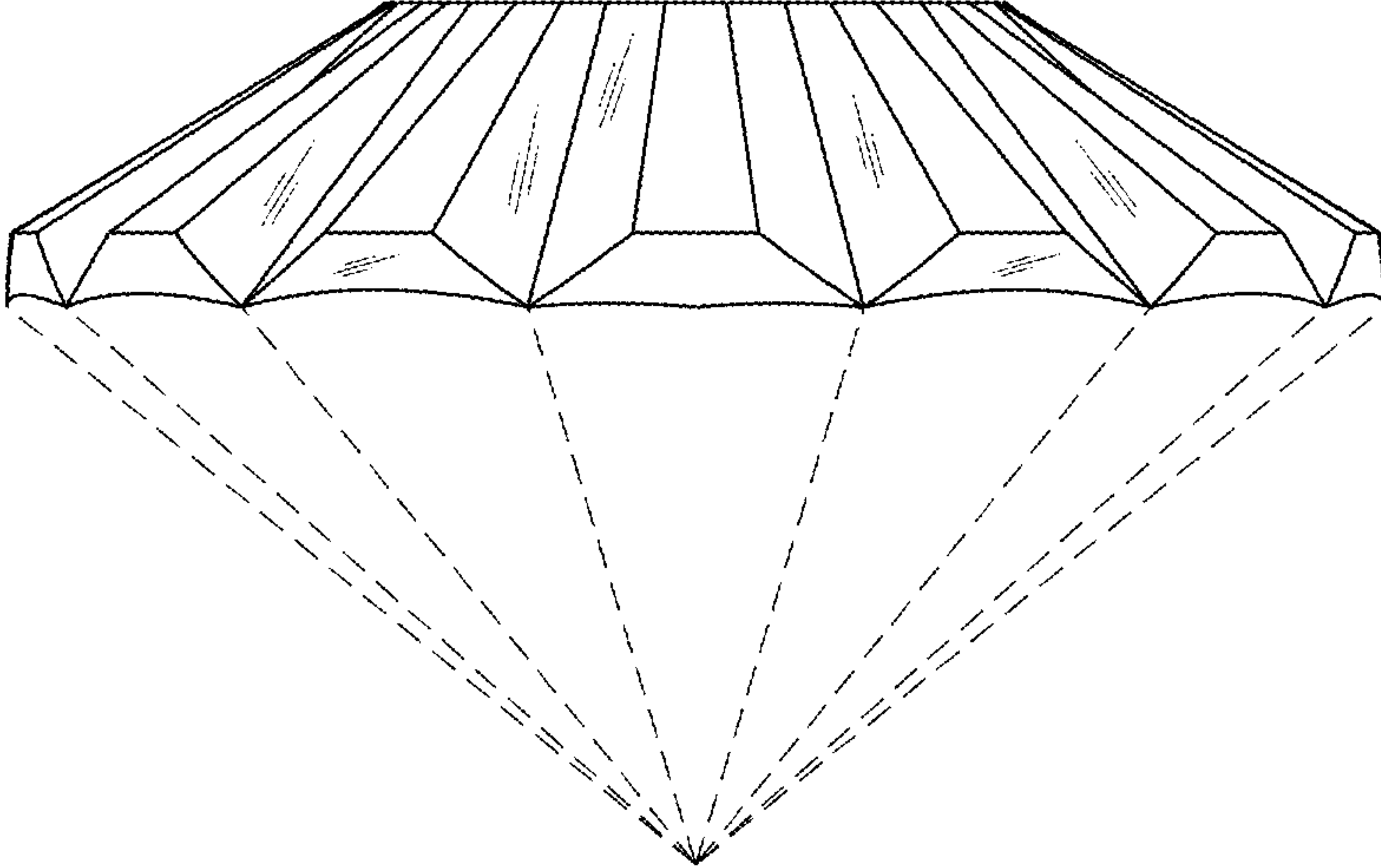


FIG. 7