



US00D955277S

(12) **United States Design Patent**  
**Padeh et al.**

(10) **Patent No.: US D955,277 S**

(45) **Date of Patent: \*\* Jun. 21, 2022**

- (54) **SQUARE EMERALD CUT STONE**
- (71) Applicant: **Dov Padeh**, Cedarhurst, NY (US)
- (72) Inventors: **Dov Padeh**, Cedarhurst, NY (US); **Wolf Gluck**, Monroe, NY (US)
- (73) Assignee: **Dov Padeh**, Cedarhurst, NY (US)
- (\*\*) Term: **15 Years**
- (21) Appl. No.: **29/764,203**
- (22) Filed: **Dec. 29, 2020**
- (51) **LOC (13) Cl.** ..... **11-01**
- (52) **U.S. Cl.**  
USPC ..... **D11/90**
- (58) **Field of Classification Search**  
USPC ... D11/1, 3, 7, 8, 26, 34-40, 42, 43, 79, 86,  
D11/89-92, 16; D1/106, 127  
CPC ..... A44C 17/00; A44C 17/001; A44C 17/002;  
A44C 17/003; A44C 17/005; A44C  
17/006; A44C 17/007; A44C 17/008  
See application file for complete search history.

D875,593 S \* 2/2020 Yatsugi-Kang ..... D11/42  
D886,657 S \* 6/2020 Yatsugi-Kang ..... D11/7  
2011/0265514 A1\* 11/2011 Fakier ..... A44C 17/001  
63/12

FOREIGN PATENT DOCUMENTS

CN 300735534 \* 1/2008

OTHER PUBLICATIONS

pc07132 Sun Square, Wolkonsky, Stonechat, Jul. 1997, [online],  
[site visited Nov. 19, 2021]. Retrieved from url:http://www.  
facetdiagrams.org/database/files/pc07132.html (Year: 1997).\*  
Tampopo, Marco Voltolini, Apr. 6, 2011, [online] [site visited Nov.  
3, 2021]. Retrieved from url:https://www.gemologyproject.com/  
wiki/index.php?title=Voltolini\_-\_Tampopo (Year: 2011).\*

\* cited by examiner

Primary Examiner — Tracey J Bell

(74) *Attorney, Agent, or Firm* — Ostrager Chong Flaherty  
& Broitman P.C.

(57) **CLAIM**

We claim the ornamental design for a square emerald cut  
stone, as shown and described.

**DESCRIPTION**

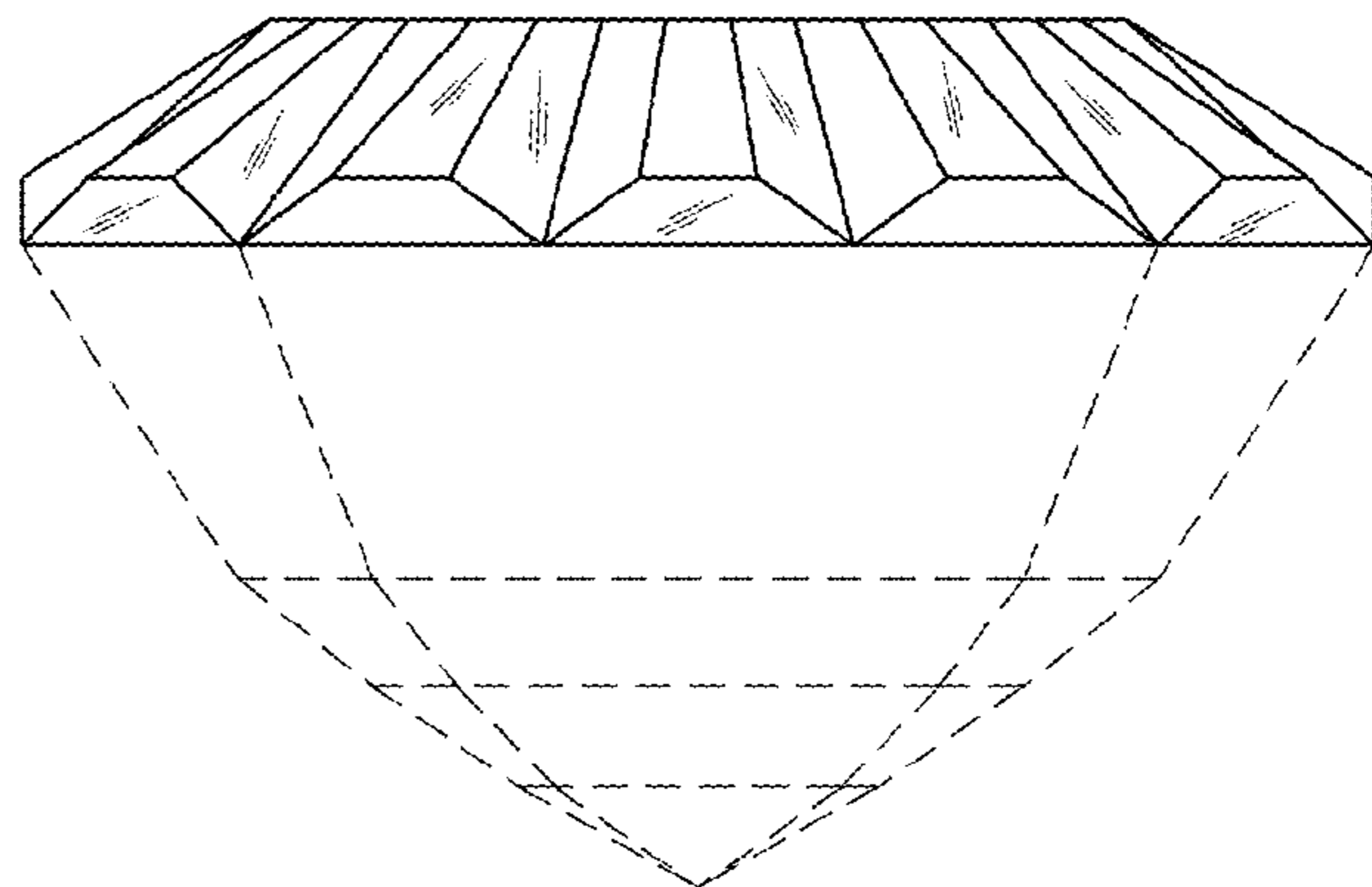
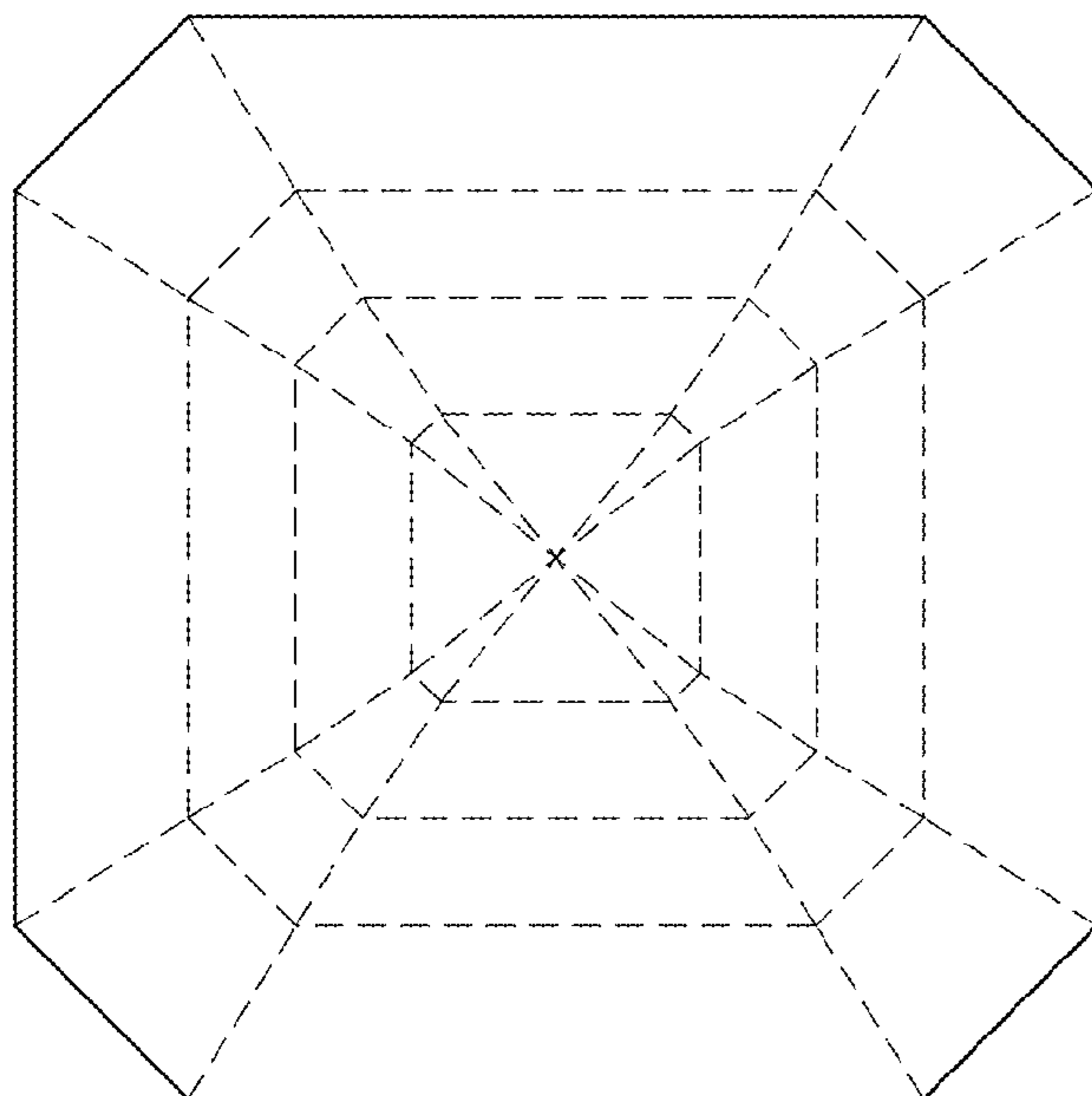
FIG. 1 is a top, front, and right side perspective view of a  
square emerald cut stone;  
FIG. 2 is a bottom, front, and left side perspective view  
thereof;  
FIG. 3 is a top view thereof;  
FIG. 4 is a bottom view thereof; and,  
FIG. 5 is a side view thereof, all side views being the same.  
The broken lines in FIGS. 1, 2, 4, and 5 depict portions of  
the square emerald cut stone that form no part of the claimed  
design.

**1 Claim, 3 Drawing Sheets**

(56) **References Cited**

U.S. PATENT DOCUMENTS

- D500,961 S \* 1/2005 Krochmal ..... A44C 17/001  
D11/90
- D524,687 S \* 7/2006 Moller ..... D11/90
- D547,230 S \* 7/2007 Unterbrunner ..... D11/90
- D550,115 S \* 9/2007 Pandya ..... D11/90
- D741,214 S \* 10/2015 Mezhibovsky ..... D11/90
- D746,169 S \* 12/2015 Mezhibovsky ..... D11/90
- D751,939 S \* 3/2016 Vartanian ..... D11/1
- D782,934 S \* 4/2017 Riviere ..... D11/42
- D851,534 S \* 6/2019 Bhosale ..... D11/91
- D852,084 S \* 6/2019 Ho ..... D11/92



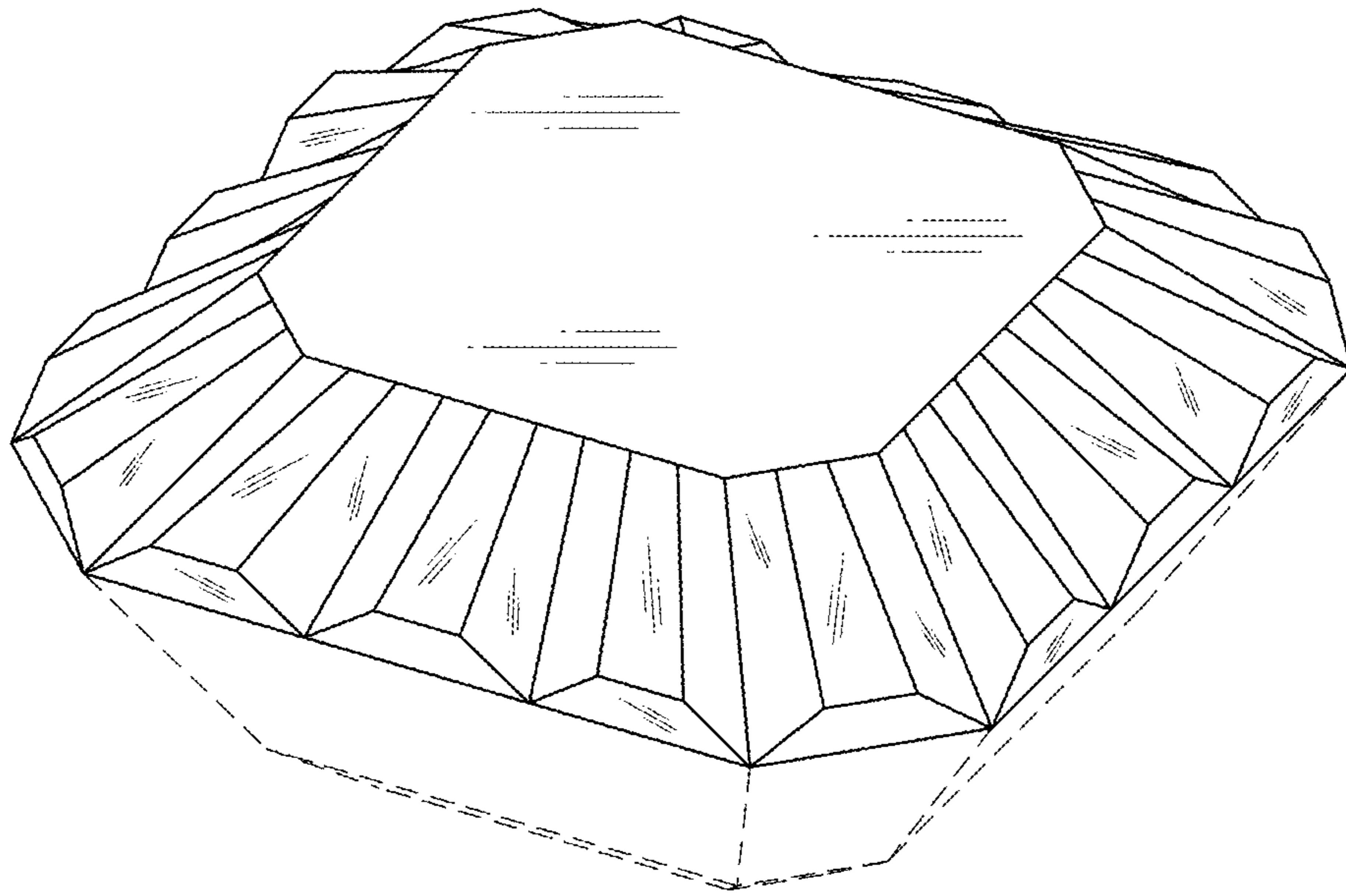


FIG. 1

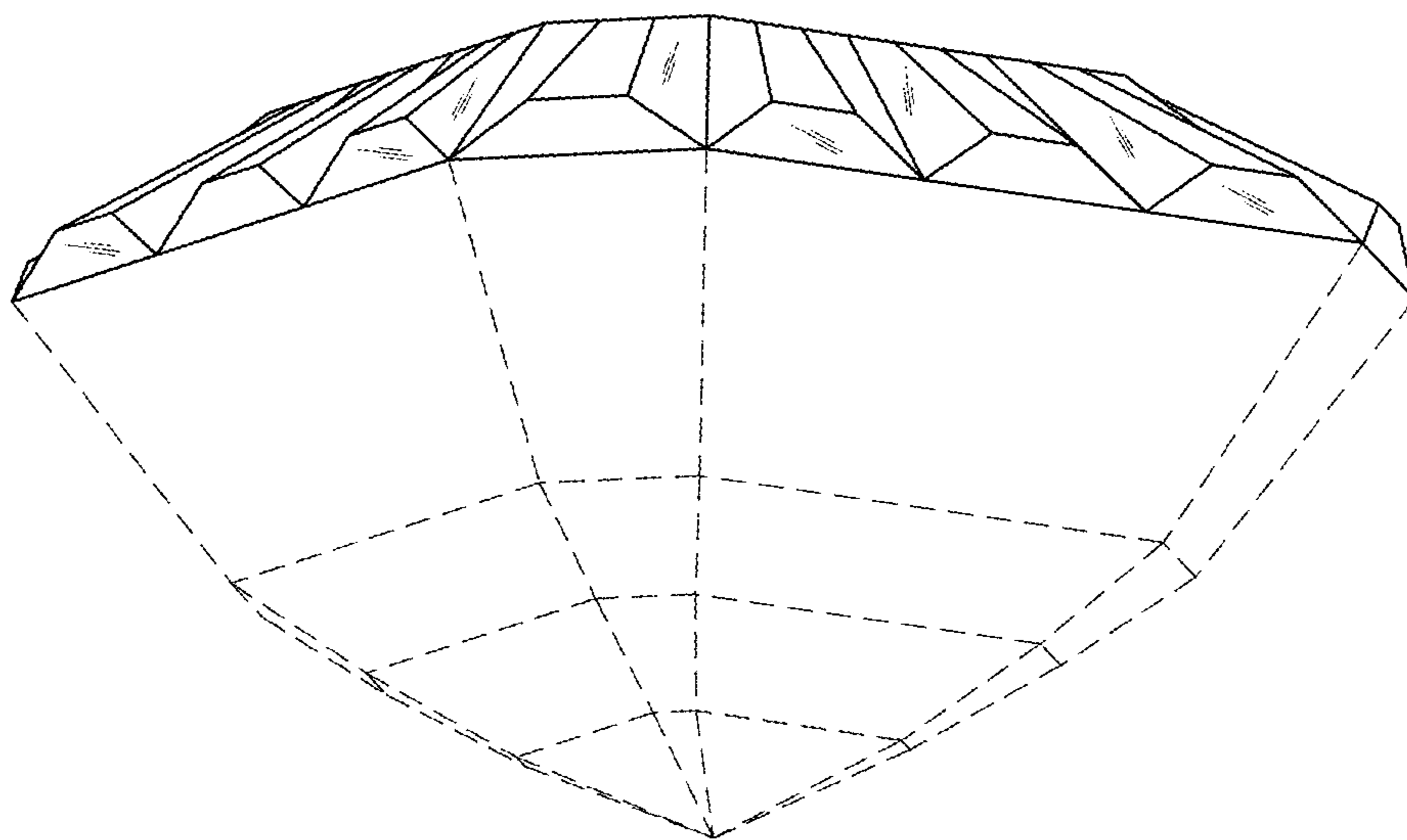


FIG. 2

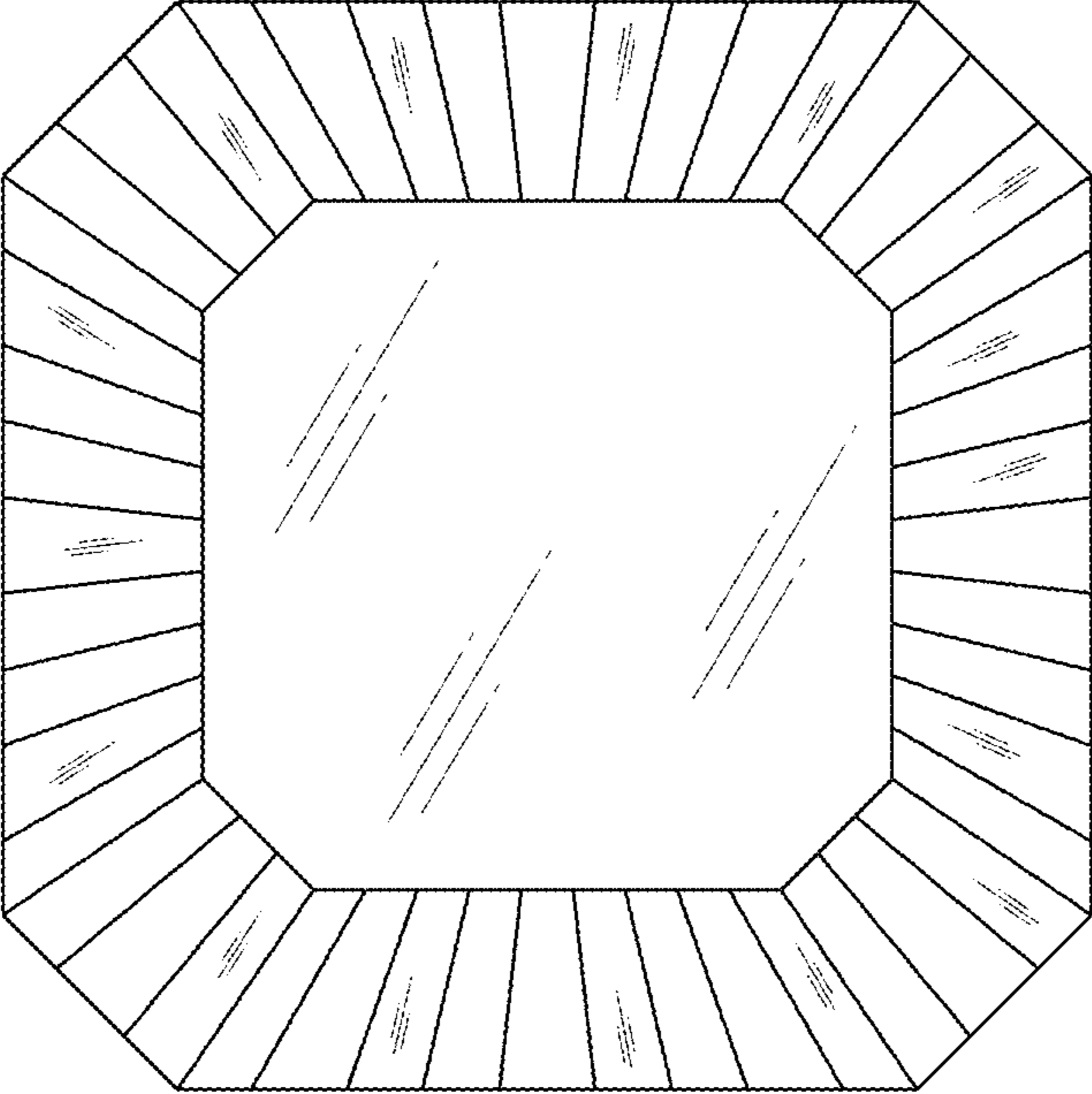


FIG. 3

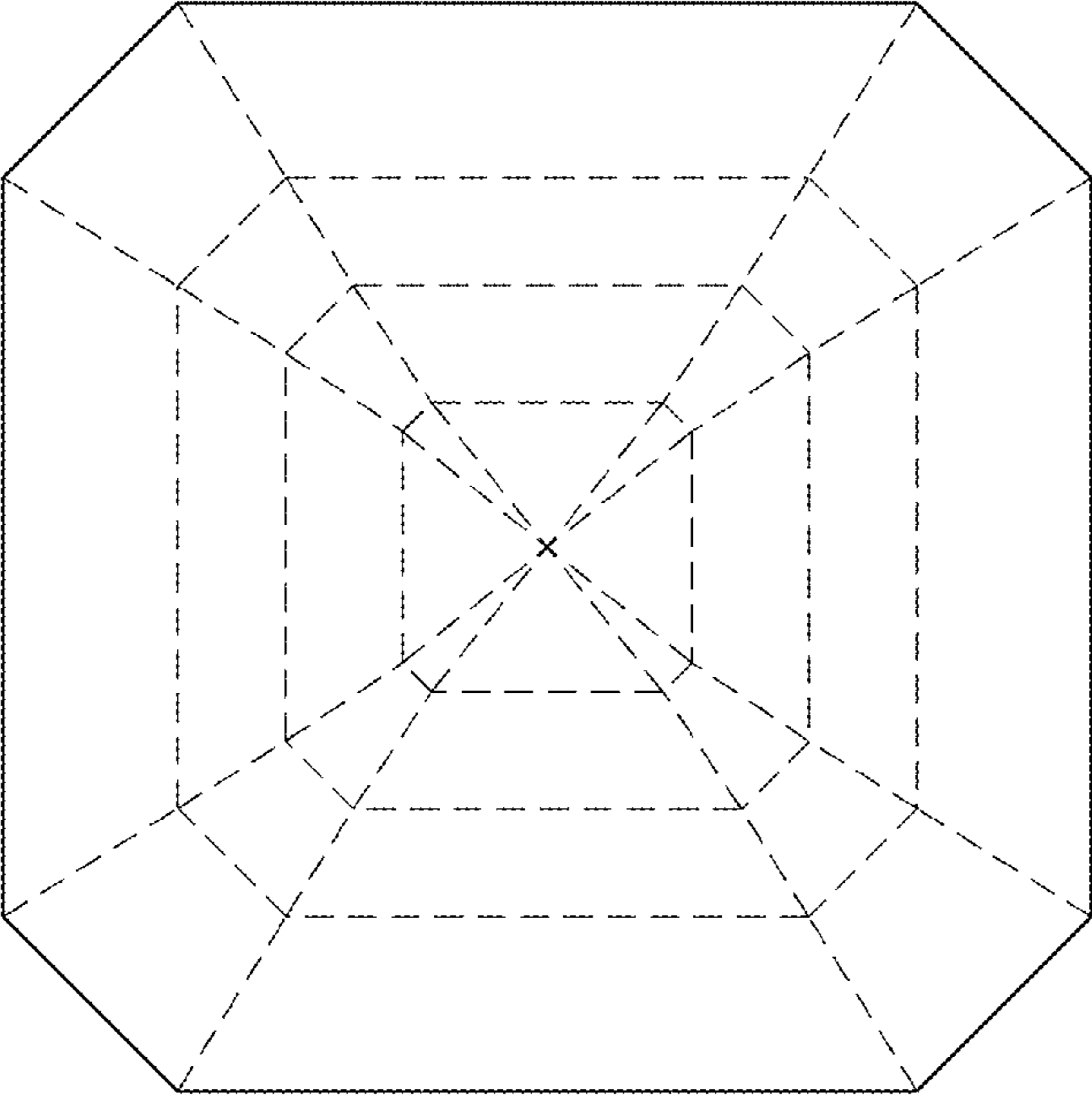


FIG. 4

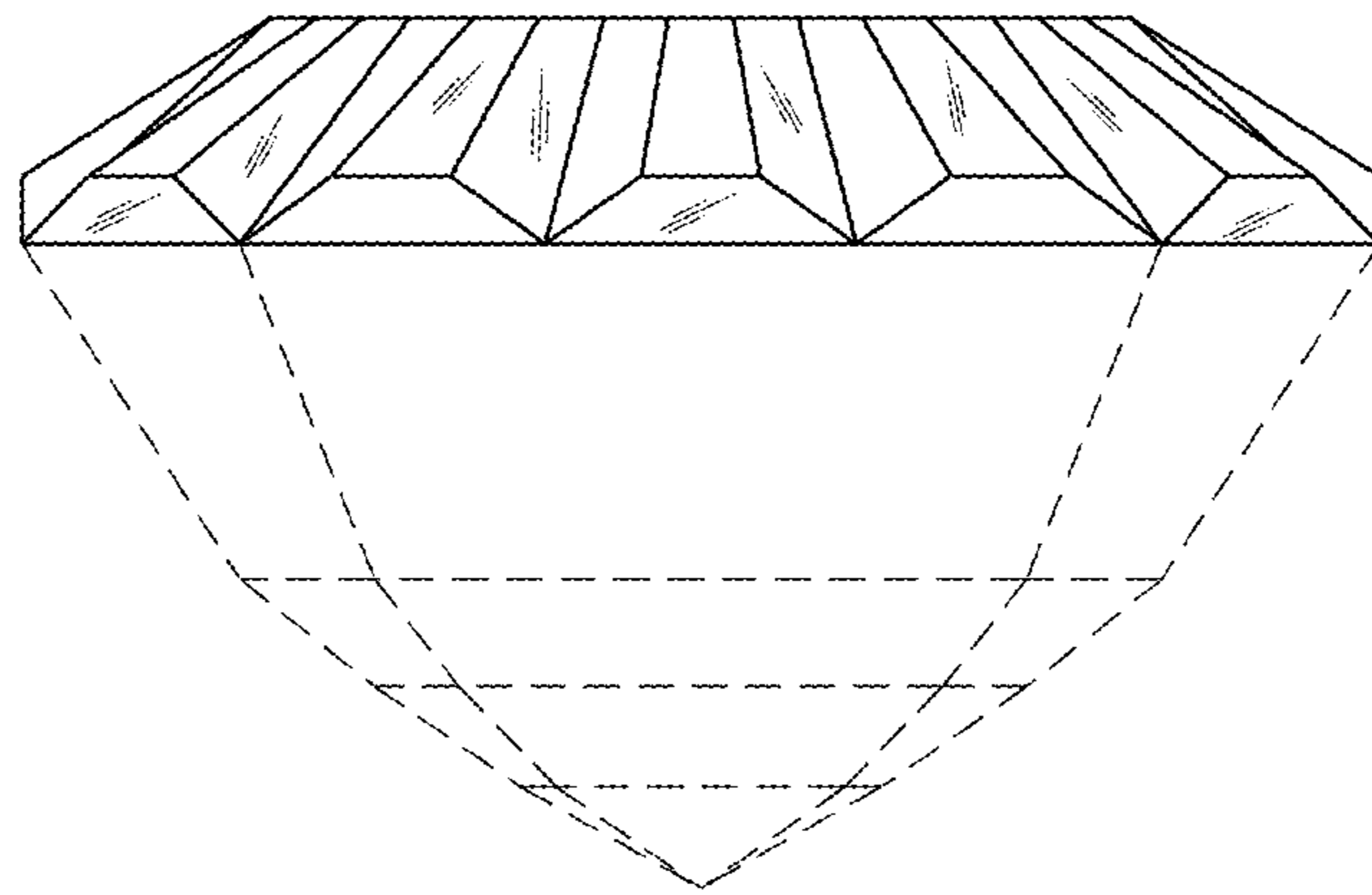


FIG. 5