



US00D955276S

(12) **United States Design Patent**  
**Padeh et al.**

(10) **Patent No.:** **US D955,276 S**

(45) **Date of Patent:** **\*\* Jun. 21, 2022**

(54) **MARQUISE STONE**

(71) Applicant: **Dov Padeh**, Cedarhurst, NY (US)

(72) Inventors: **Dov Padeh**, Cedarhurst, NY (US); **Wolf Gluck**, Monroe, NY (US)

(73) Assignee: **Dov Padeh**, Cedarhurst, NY (US)

(\*\*) Term: **15 Years**

(21) Appl. No.: **29/764,191**

(22) Filed: **Dec. 29, 2020**

(51) **LOC (13) Cl.** ..... **11-01**

(52) **U.S. Cl.**  
USPC ..... **D11/90**

(58) **Field of Classification Search**  
USPC ... D11/1, 3, 7, 8, 26, 34-40, 42, 43, 79, 86,  
D11/89-92, 14, 30, 44, 56, 81, 103, 16  
CPC ..... A44C 17/00; A44C 17/001; A44C 17/002;  
A44C 17/003; A44C 17/005; A44C  
17/006; A44C 17/007; A44C 17/008  
See application file for complete search history.

(56) **References Cited**

**U.S. PATENT DOCUMENTS**

D447,978 S	*	9/2001	Stern	.....	D11/90
D491,094 S	*	6/2004	Mehta	.....	D11/90
D498,170 S	*	11/2004	Mehta	.....	D11/90
D513,714 S	*	1/2006	Sanghvi	.....	D11/90
D547,690 S	*	7/2007	Shah	.....	D11/90
D588,493 S	*	3/2009	Forster	.....	D11/90
D593,442 S	*	6/2009	Forster	.....	D11/90
D593,443 S	*	6/2009	Forster	.....	D11/90
D593,899 S	*	6/2009	Forster	.....	D11/90
D594,370 S	*	6/2009	Forster	.....	D11/90
D594,371 S	*	6/2009	Forster	.....	D11/90
D594,373 S	*	6/2009	Forster	.....	D11/90
D594,374 S	*	6/2009	Forster	.....	D11/90

D594,376 S	*	6/2009	Forster	.....	D11/90
D594,772 S	*	6/2009	Forster	.....	D11/90
D597,883 S	*	8/2009	Forster	.....	D11/90
D647,816 S	*	11/2011	Ehrenstrasser	.....	D11/90
D852,084 S	*	6/2019	Ho	.....	D11/92

**OTHER PUBLICATIONS**

pc03065 Double Pseudo Marquise, Charles Johnston, 1987, [online], [site visited Nov. 4, 2021]. Retrieved from url: <http://www.facetdiagrams.org/database/files/pc03065.html> (Year: 1987).\*

Tampopo, Marco Voltolini, Apr. 6, 2011, [online] [site visited Nov. 3, 2021]. Retrieved from url: [https://www.gemologyproject.com/wiki/index.php?title=Voltolini\\_-\\_Tampopo](https://www.gemologyproject.com/wiki/index.php?title=Voltolini_-_Tampopo) (Year: 2011).\*

\* cited by examiner

*Primary Examiner* — Tracey J Bell

(74) *Attorney, Agent, or Firm* — Ostrager Chong Flaherty & Broitman P.C.

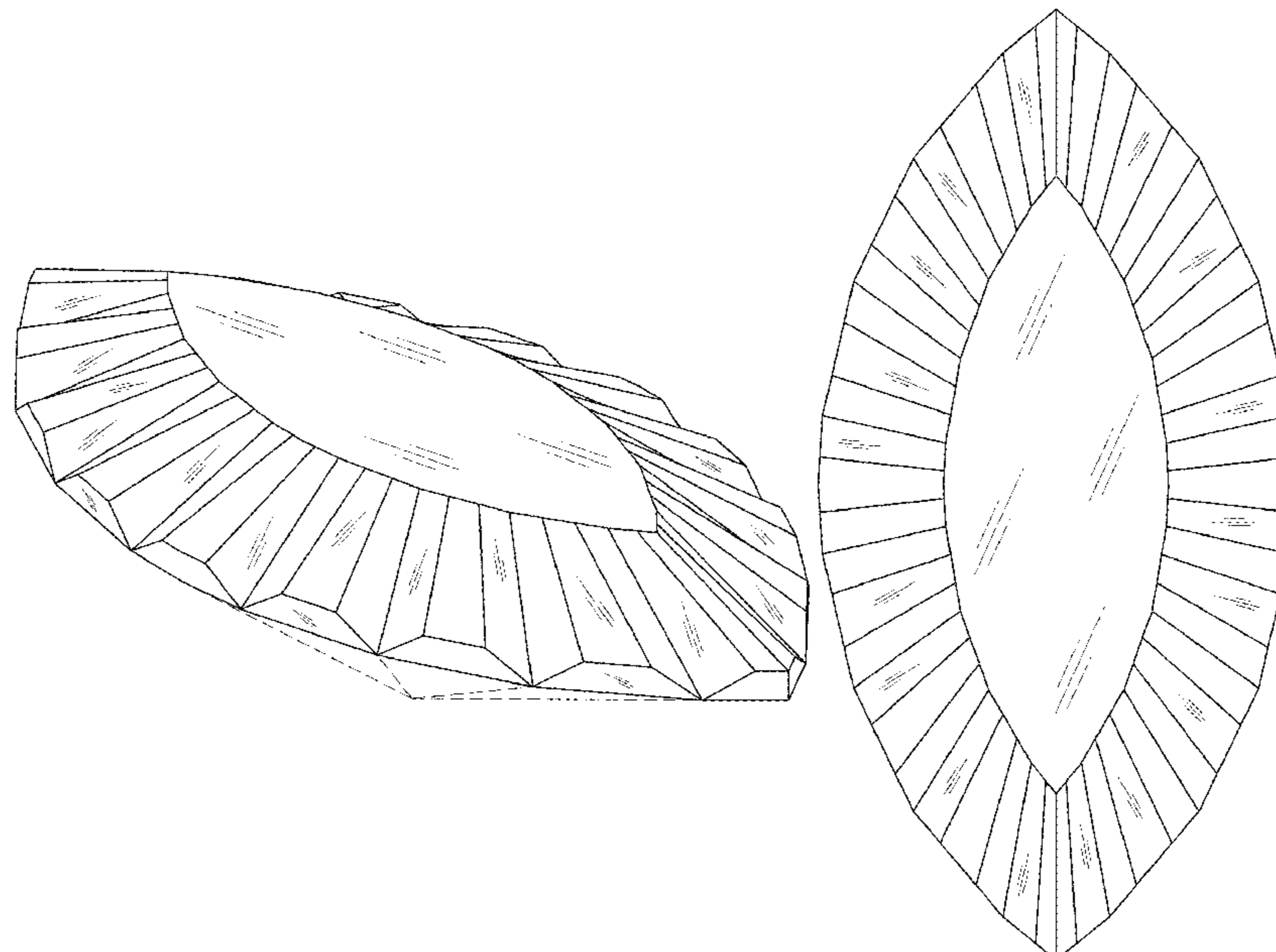
(57) **CLAIM**

We claim the ornamental design for a marquise stone, as shown and described.

**DESCRIPTION**

FIG. 1 is a top, front, and right side perspective view of a marquise stone;  
FIG. 2 is a bottom, rear, and left side perspective view thereof;  
FIG. 3 is a top view thereof;  
FIG. 4 is a bottom view thereof; and  
FIG. 5 is a left side view thereof, the right side view being a mirror image thereof; and,  
FIG. 6 is a front side view thereof, the rear side view being a mirror image thereof.  
The broken lines in FIGS. 1, 2, 4, 5, and 6 depict portions of the marquise stone that form no part of the claimed design.

**1 Claim, 3 Drawing Sheets**



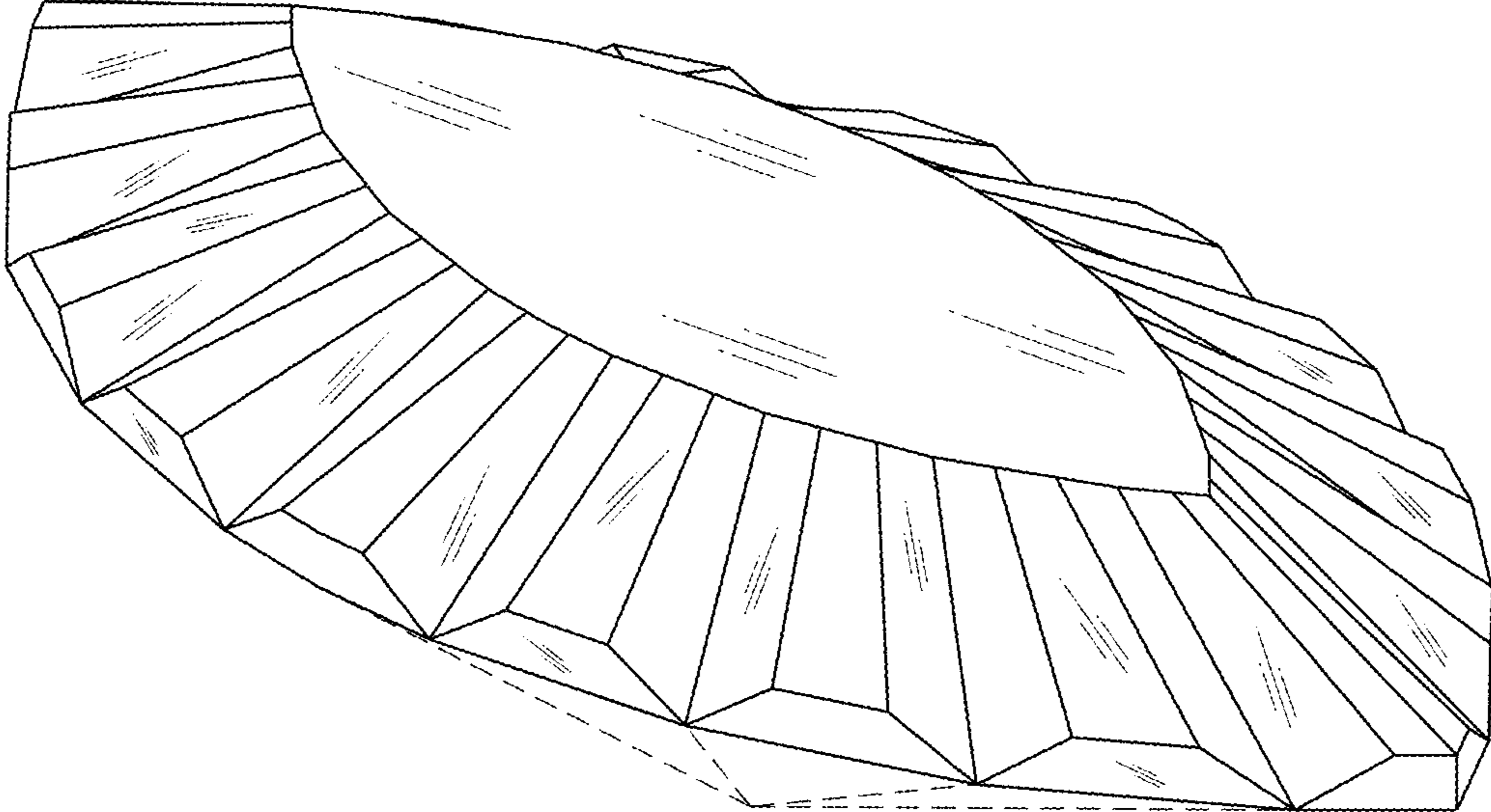


FIG. 1

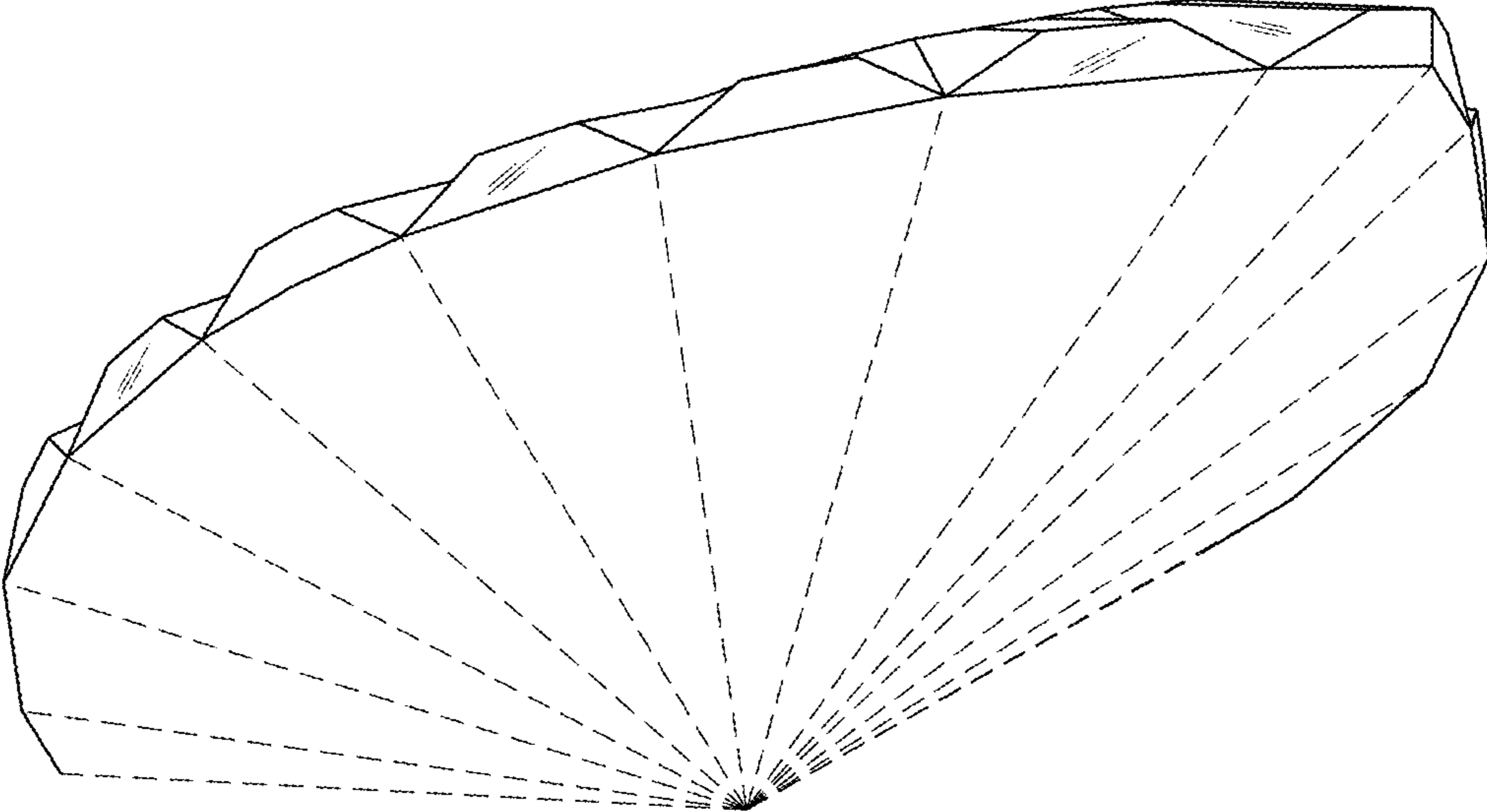


FIG. 2

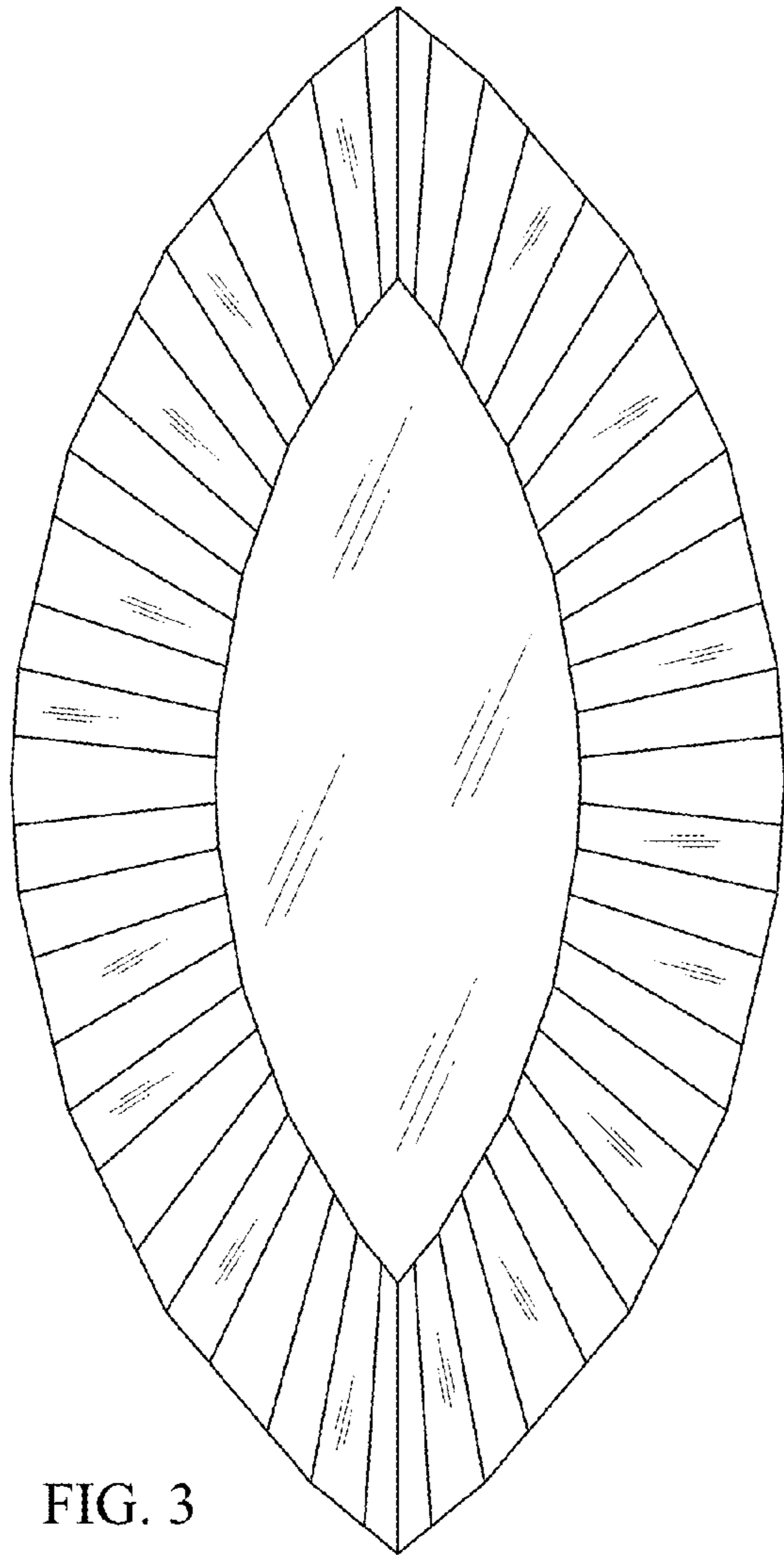


FIG. 3

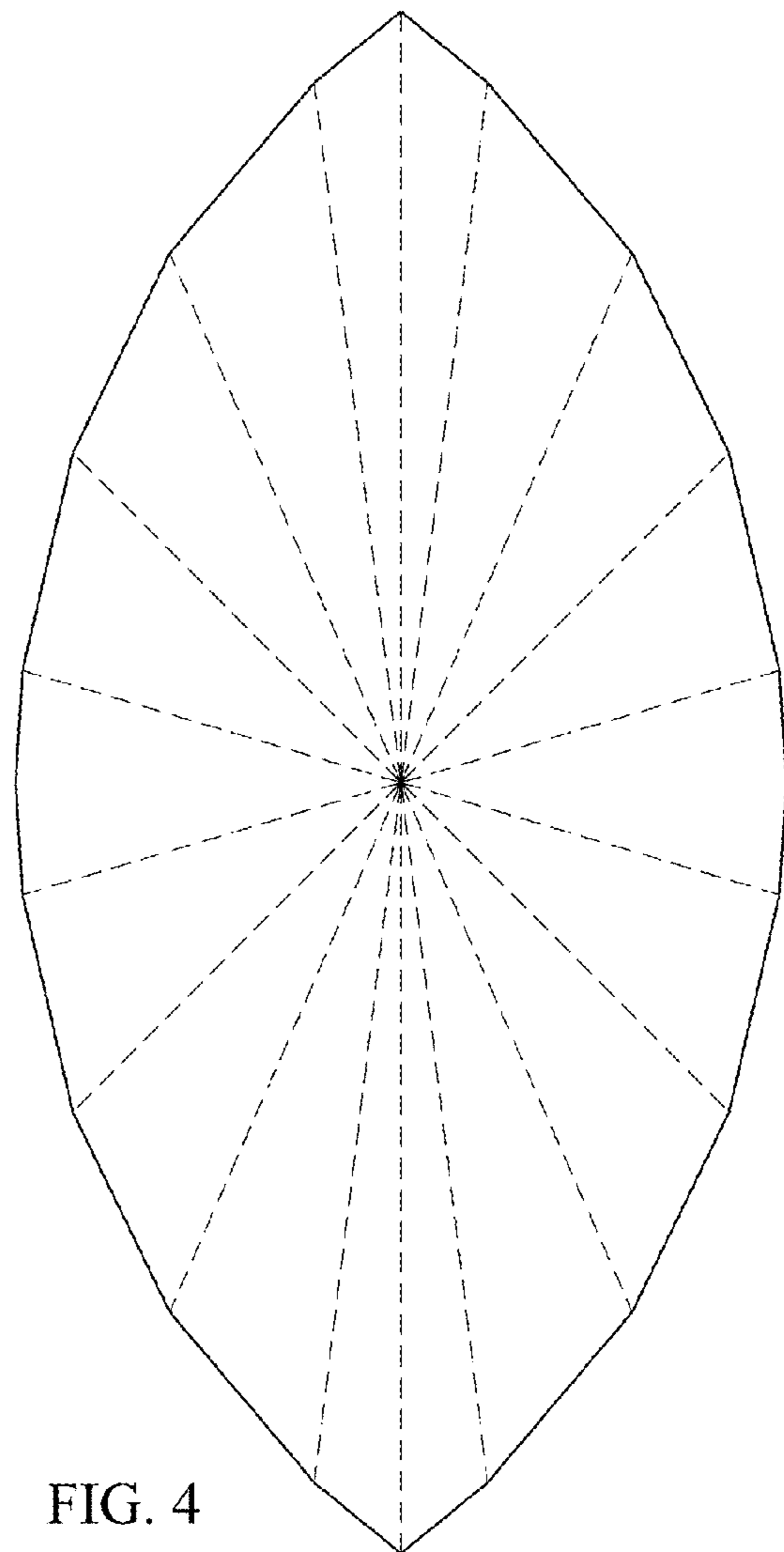


FIG. 4

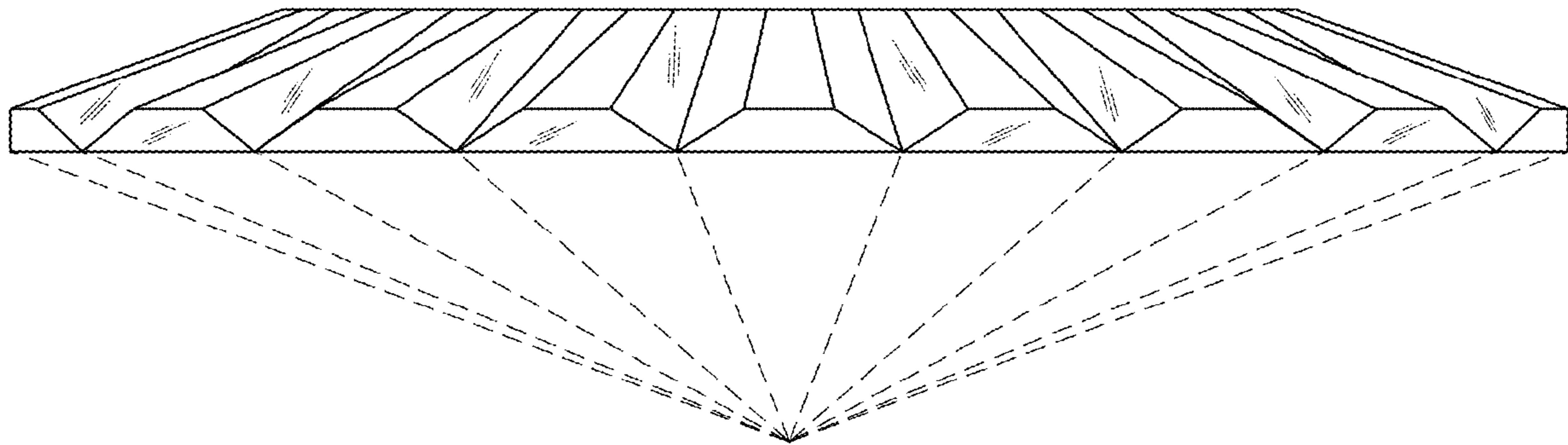


FIG. 5

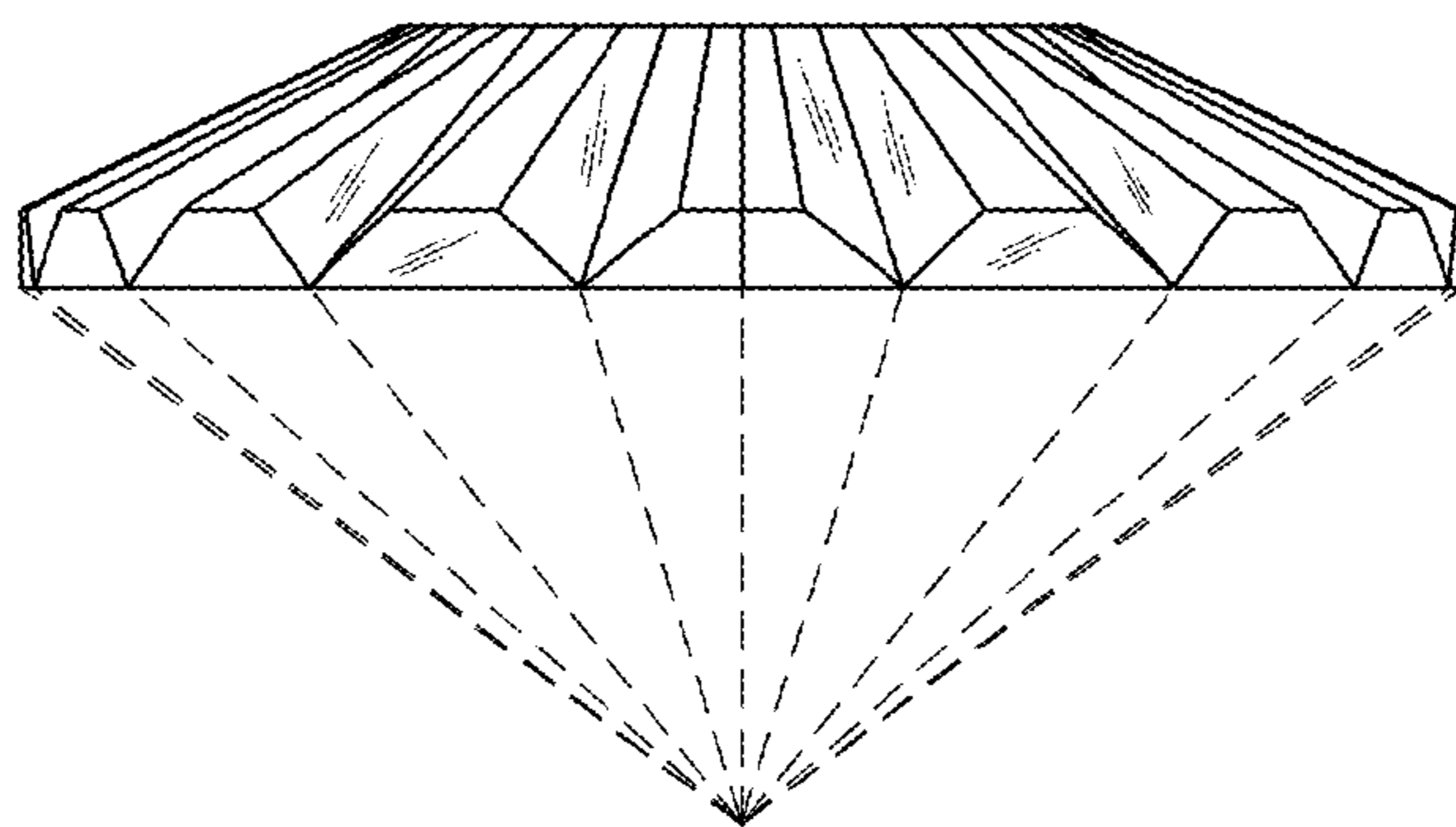


FIG. 6