



US00D955275S

(12) **United States Design Patent**
Padeh et al.

(10) **Patent No.:** **US D955,275 S**
(45) **Date of Patent:** **** Jun. 21, 2022**

(54) **OVAL STONE**

FOREIGN PATENT DOCUMENTS

- (71) Applicant: **Dov Padeh**, Cedarhurst, NY (US)
- (72) Inventors: **Dov Padeh**, Cedarhurst, NY (US); **Wolf Gluck**, Monroe, NY (US)
- (73) Assignee: **Dov Padeh**, Cedarhurst, NY (US)
- (**) Term: **15 Years**
- (21) Appl. No.: **29/764,188**
- (22) Filed: **Dec. 29, 2020**
- (51) **LOC (13) Cl.** **11-01**
- (52) **U.S. Cl.**
USPC **D11/90**
- (58) **Field of Classification Search**
USPC ... D11/1, 3, 7, 8, 26, 34-40, 42, 43, 79, 86,
D11/89-92, 16; D1/106, 127
CPC A44C 17/00; A44C 17/001; A44C 17/002;
A44C 17/003; A44C 17/005; A44C
17/006; A44C 17/007; A44C 17/008
See application file for complete search history.

CN	300735533	*	1/2008
CN	301588263	*	6/2011

OTHER PUBLICATIONS

Pc02133a Ten Ray Star Oval, Wolkonsky, Angles, Apr. 1994, [online], [site visited Nov. 19, 2021]. Retrieved from url:http://www.facetdiagrams.org/database/files/pc02133a.html (Year: 1994).*

Tampopo, Marco Voltolini, Apr. 6, 2011, [online] [site visited Nov. 3, 2021]. Retrieved from url:https://www.gemologyproject.com/wiki/index.php?title=Voltolini_-_Tampopo (Year: 2011).*

* cited by examiner

Primary Examiner — Tracey J Bell

(74) *Attorney, Agent, or Firm* — Ostrager Chong Flaherty & Broitman P.C.

(57) **CLAIM**

We claim the ornamental design for a oval stone, as shown and described.

(56) **References Cited**

DESCRIPTION

U.S. PATENT DOCUMENTS

- | | | | | | |
|-----------------|---|---------|--------------|-------|-------------|
| D571,250 S | * | 6/2008 | Lichtenstein | | A44C 17/001 |
| | | | | | D11/90 |
| D592,540 S | * | 5/2009 | Rydlwicz | | D11/90 |
| D596,525 S | * | 7/2009 | Peled | | D11/90 |
| D608,684 S | * | 1/2010 | Swarovski | | D11/90 |
| D647,815 S | * | 11/2011 | Froehlich | | D11/90 |
| D738,778 S | * | 9/2015 | Rydlwicz | | D11/90 |
| D813,084 S | * | 3/2018 | Slowinski | | D11/90 |
| D851,537 S | * | 6/2019 | Shah | | D11/92 |
| D852,084 S | * | 6/2019 | Ho | | D11/92 |
| D868,615 S | * | 12/2019 | Bhosale | | D11/91 |
| D886,659 S | * | 6/2020 | Mehta | | D11/91 |
| D897,886 S | * | 10/2020 | Slowinski | | D11/90 |
| 2008/0271488 A1 | * | 11/2008 | Rydlwicz | | A44C 17/001 |
| | | | | | 63/32 |

FIG. 1 is a top, front, and right side perspective view of an oval stone;

FIG. 2 is a bottom, front, and left side perspective view thereof;

FIG. 3 is a top view thereof;

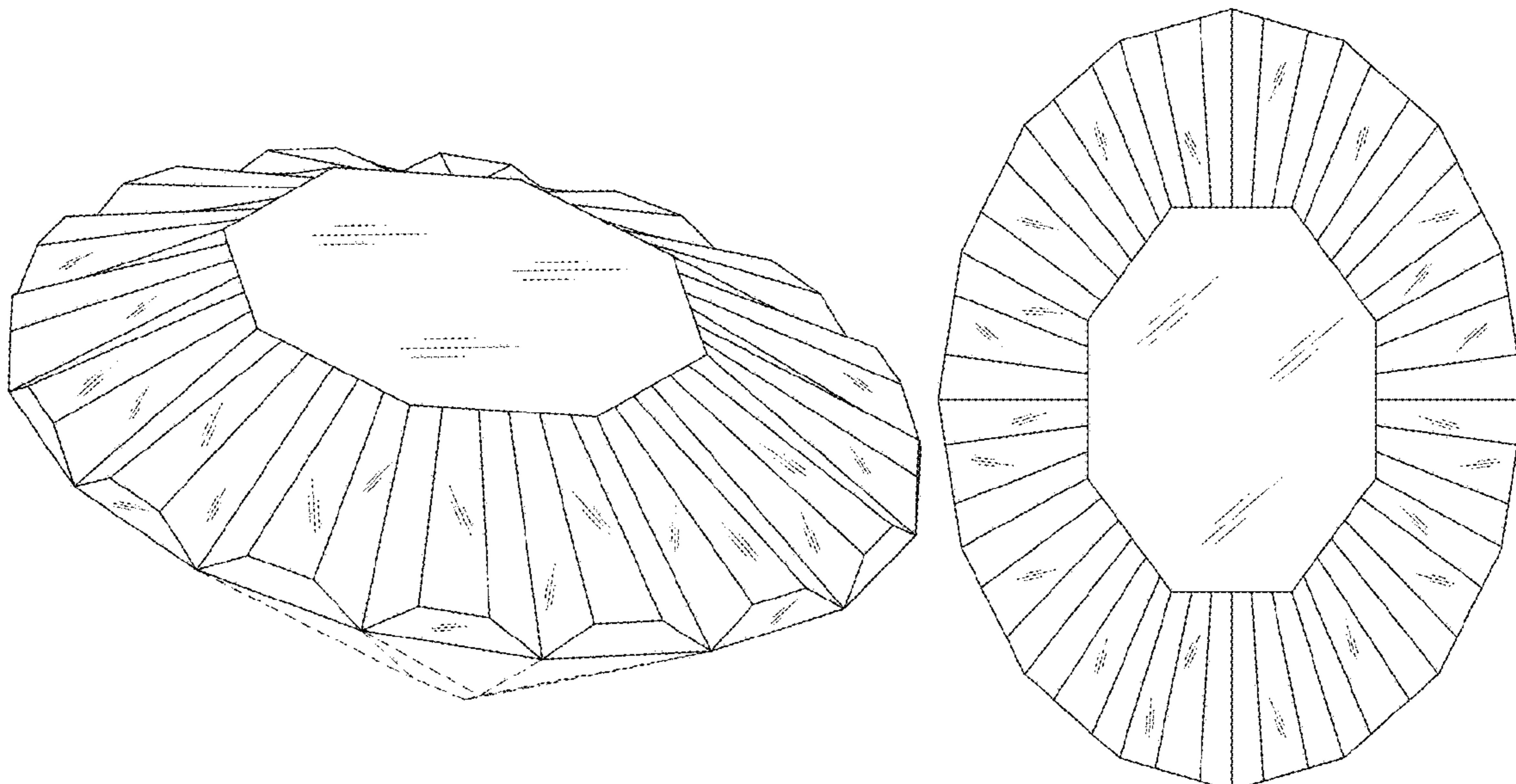
FIG. 4 is a bottom view thereof; and

FIG. 5 is a left side view thereof, the right side view being a mirror image thereof; and,

FIG. 6 is a front side view thereof, the rear side view being a mirror image thereof.

The broken lines in FIGS. 1, 2, 4, 5, and 6 depict portions of the oval stone that form no part of the claimed design.

1 Claim, 3 Drawing Sheets



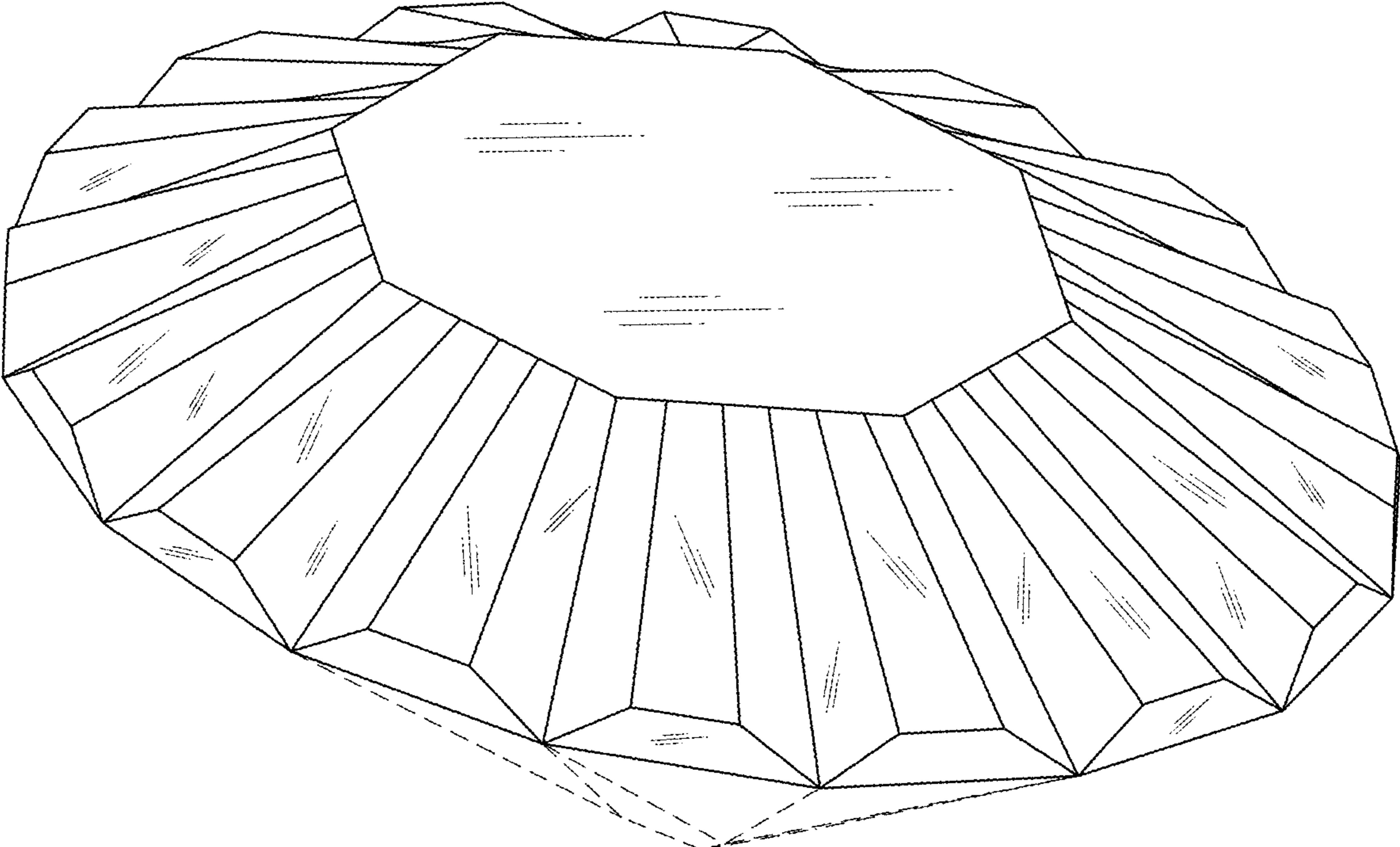


FIG. 1

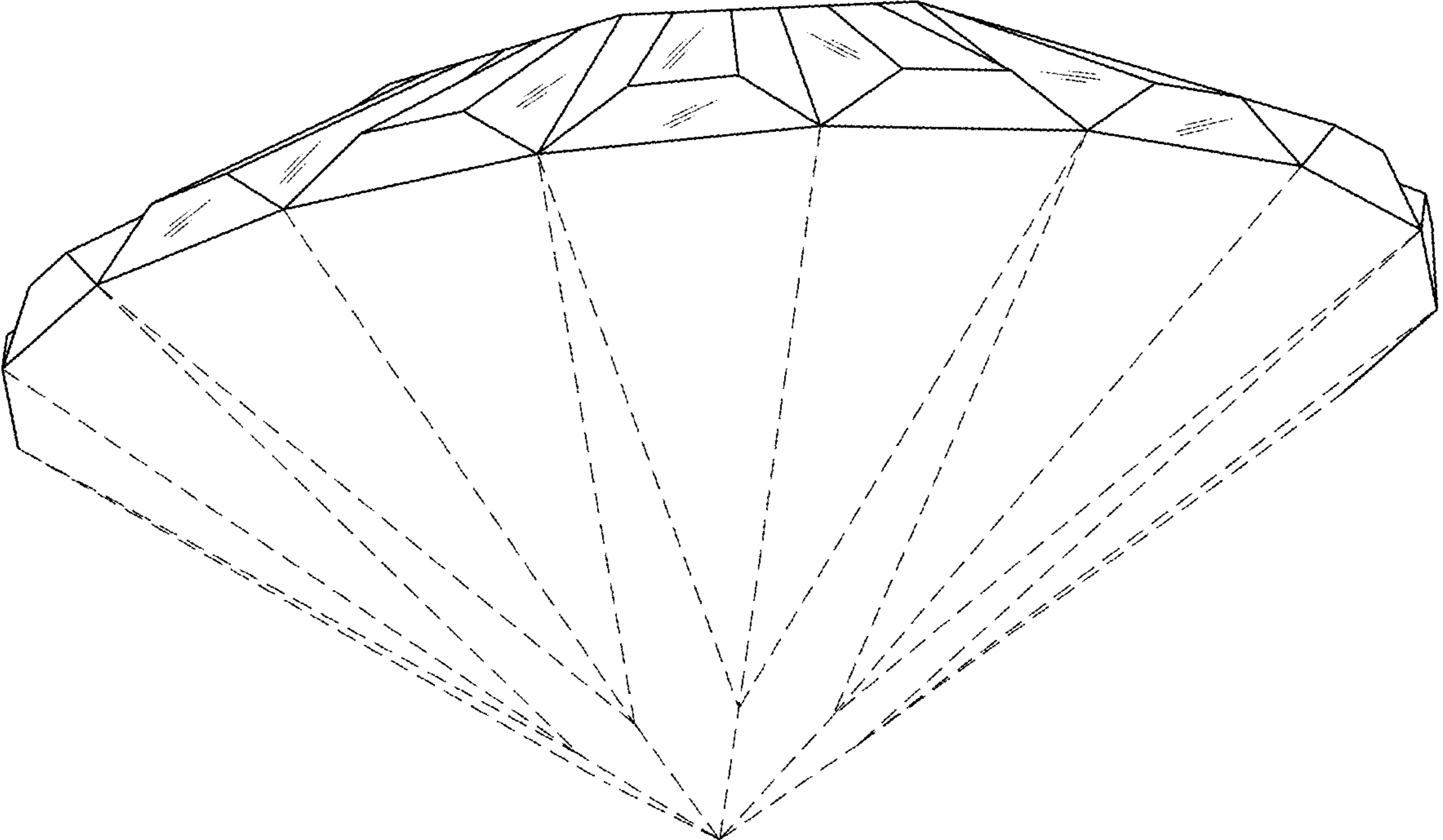


FIG. 2

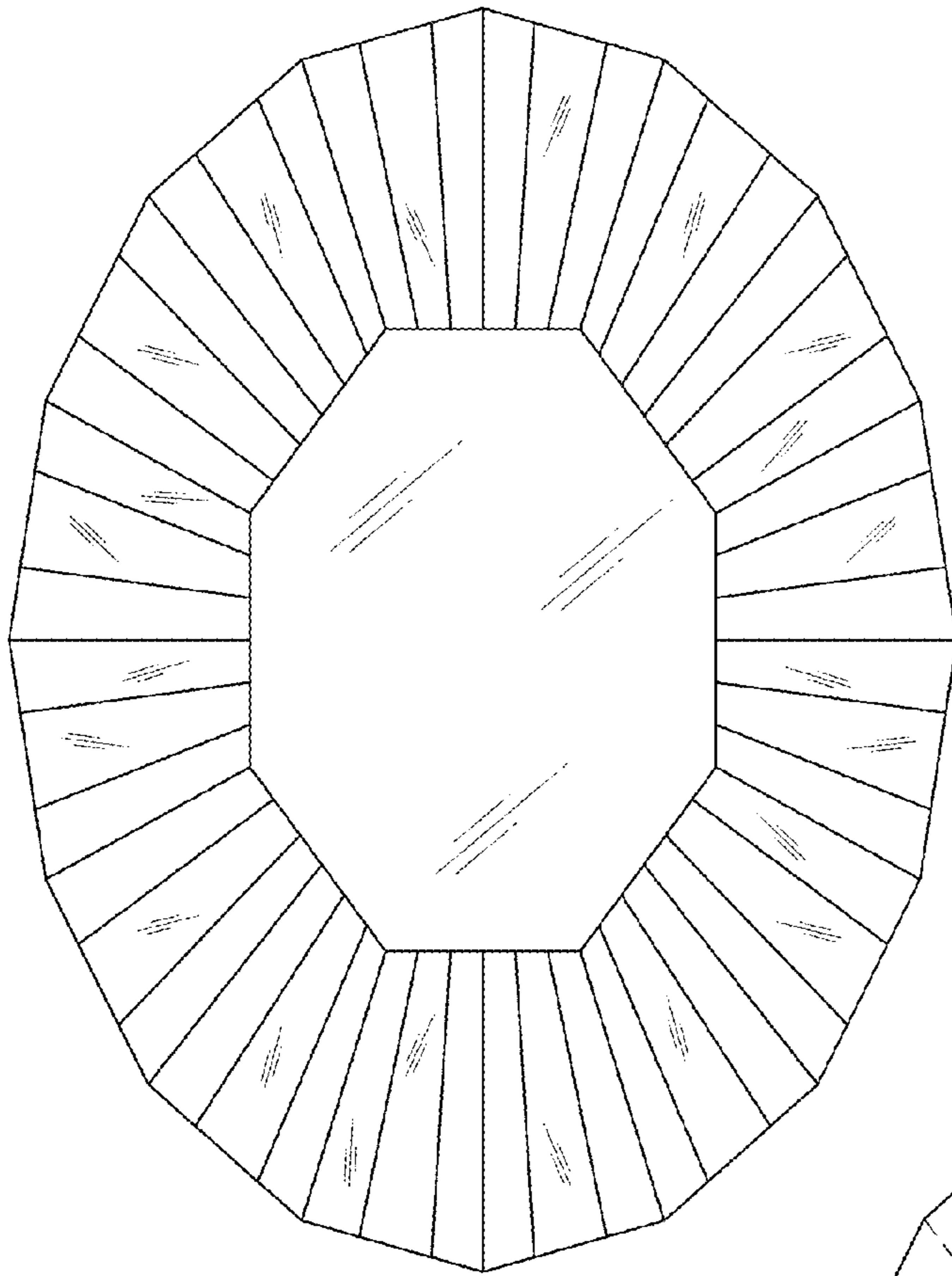


FIG. 3

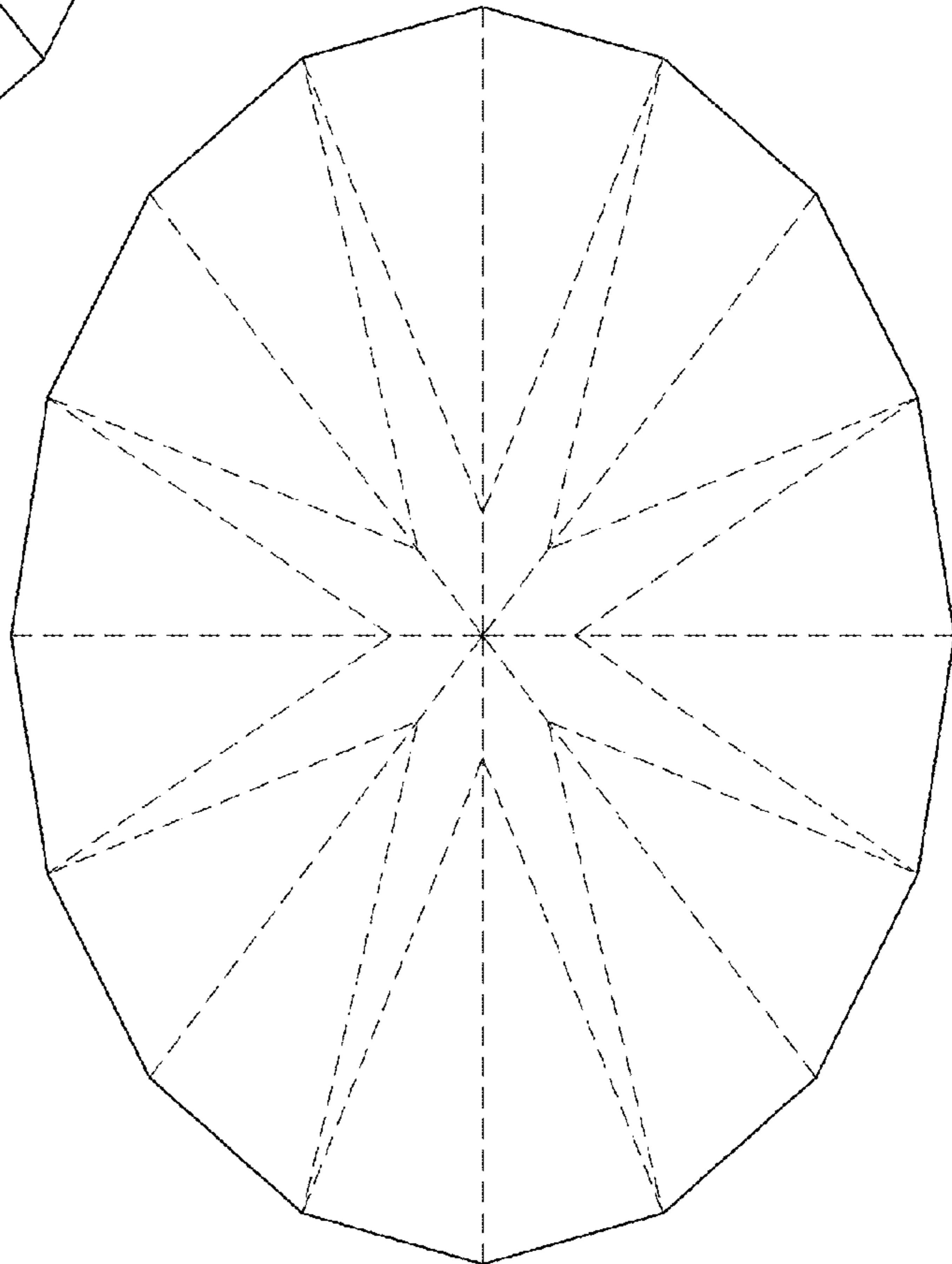


FIG. 4

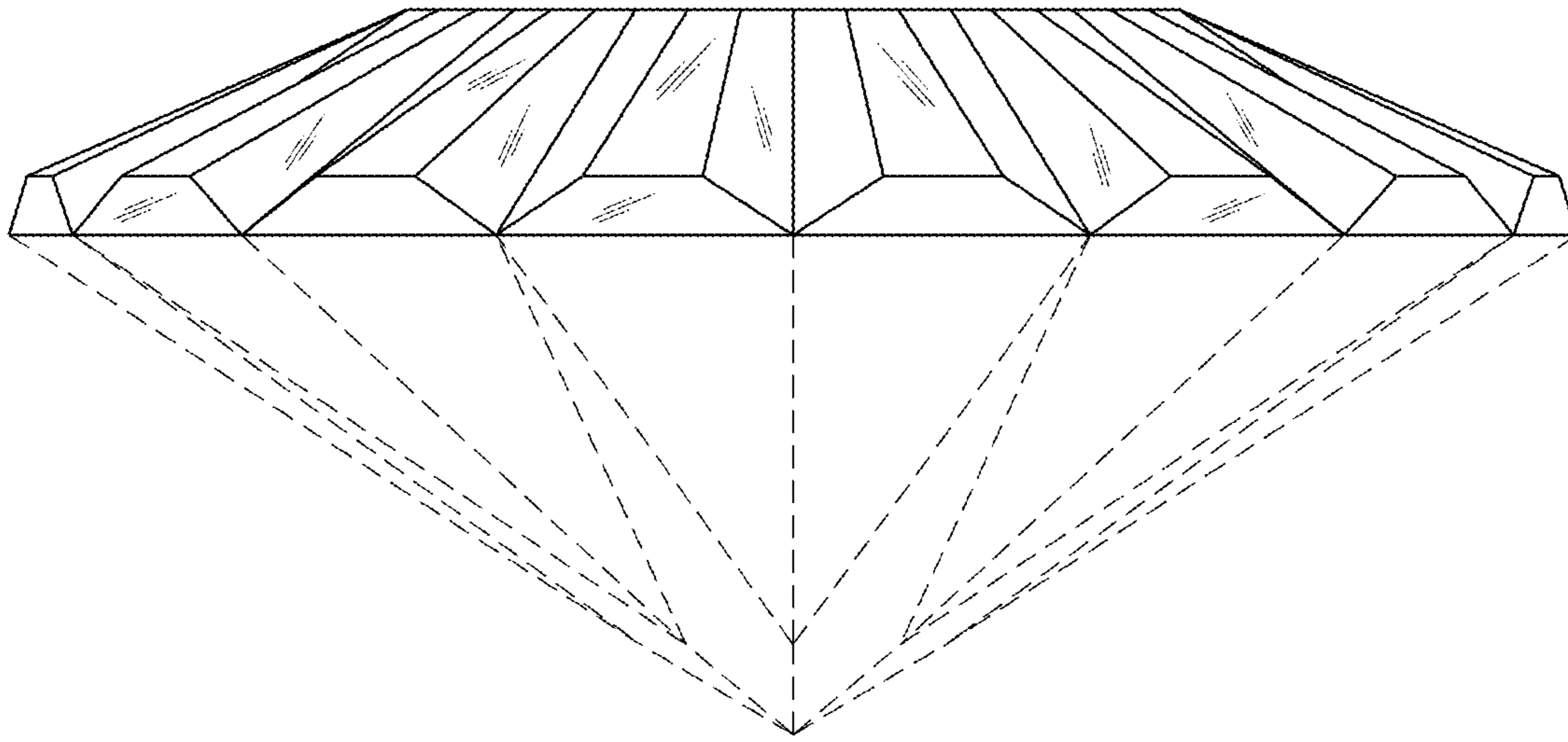


FIG. 5

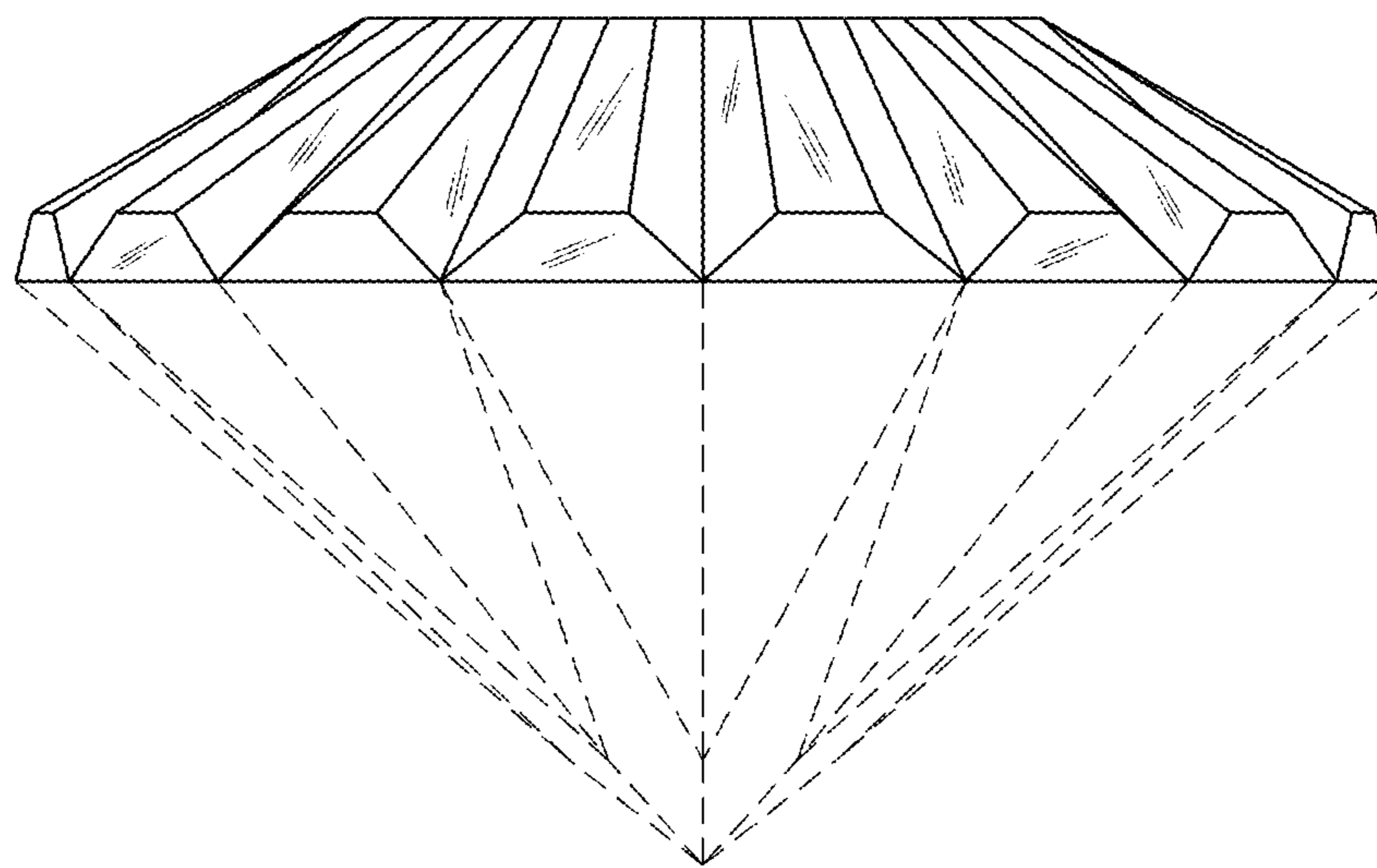


FIG. 6