



US00D955274S

(12) **United States Design Patent**
Padeh et al.

(10) **Patent No.:** **US D955,274 S**
(45) **Date of Patent:** **** Jun. 21, 2022**

- (54) **ROUND STONE**
- (71) Applicant: **Dov Padeh**, Cedarhurst, NY (US)
- (72) Inventors: **Dov Padeh**, Cedarhurst, NY (US); **Wolf Gluck**, Monroe, NY (US)
- (73) Assignee: **Dov Padeh**, Cedarhurst, NY (US)
- (**) Term: **15 Years**
- (21) Appl. No.: **29/764,186**
- (22) Filed: **Dec. 29, 2020**
- (51) **LOC (13) Cl.** **11-01**
- (52) **U.S. Cl.**
USPC **D11/90**
- (58) **Field of Classification Search**
USPC ... D11/1, 3, 7, 8, 26, 34-40, 42, 43, 79, 86,
D11/89-92, 16; D1/106, 127
CPC A44C 17/00; A44C 17/001; A44C 17/002;
A44C 17/003; A44C 17/005; A44C
17/006; A44C 17/007; A44C 17/008
See application file for complete search history.

D616,785 S * 6/2010 Slowinski D11/90
 D618,583 S * 6/2010 Slowinski D11/90
 2011/0265514 A1* 11/2011 Fakier A44C 17/001
 63/12

FOREIGN PATENT DOCUMENTS

CN 300735532 * 1/2008
 CN 301624040 * 7/2011

OTHER PUBLICATIONS

Tampopo, Marco Voltolini, Apr. 6, 2011, [online] [site visited Nov. 3, 2021]. Retrieved from url:https://www.gemologyproject.com/wiki/index.php?title=Voltolini_-_Tampopo (Year: 2011).*

* cited by examiner

Primary Examiner — Tracey J Bell

(74) *Attorney, Agent, or Firm* — Ostrager Chong Flaherty & Broitman P.C.

(57) **CLAIM**

We claim the ornamental design for a round stone, as shown and described.

(56) **References Cited**

U.S. PATENT DOCUMENTS

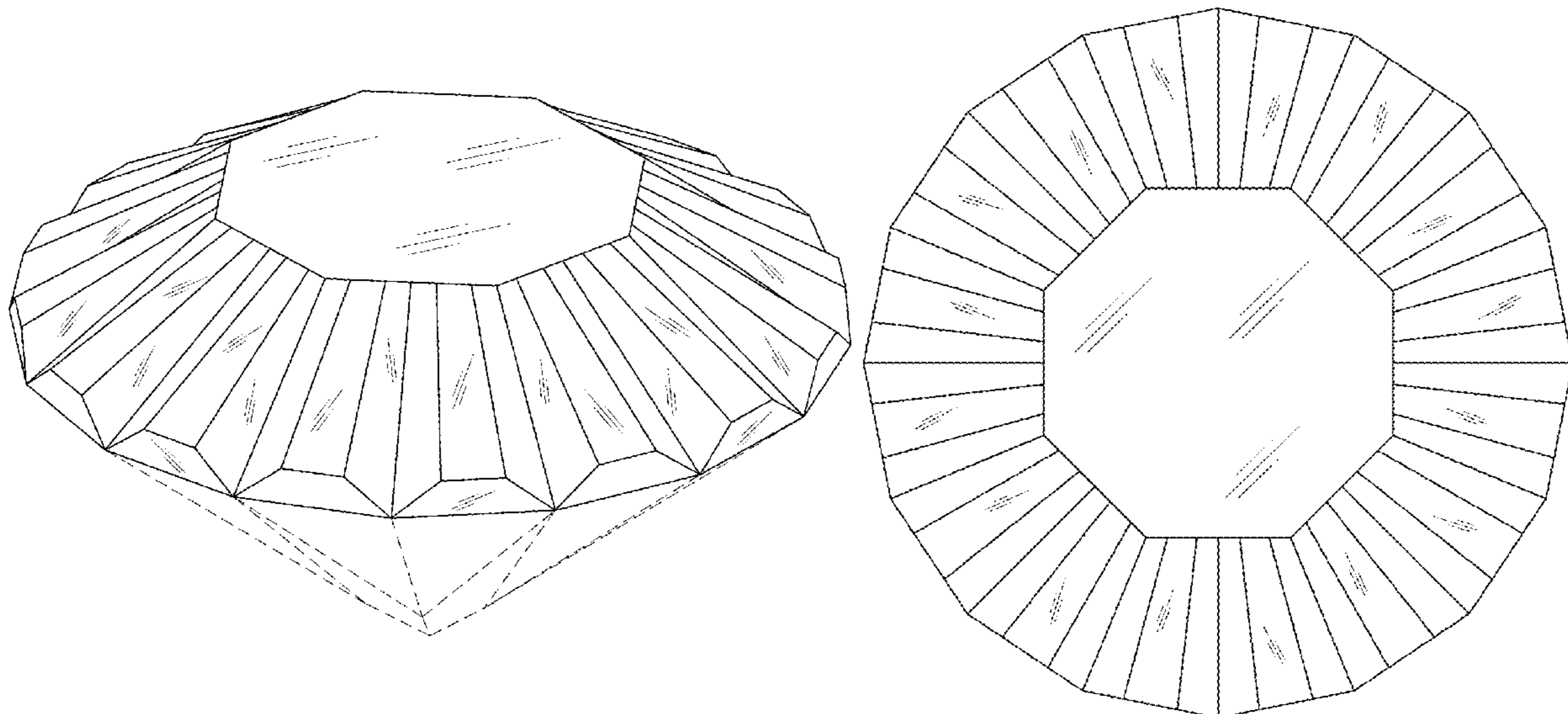
- D58,307 S * 7/1921 Davidson A44C 17/001
D11/90
- D407,036 S * 3/1999 Reisigl D11/90
- D444,098 S * 6/2001 Hurwitz D11/90
- D454,089 S * 3/2002 Steiner D11/90
- D463,313 S * 9/2002 Bamminger D11/90
- D487,411 S * 3/2004 Bamminger D11/90
- D520,902 S * 5/2006 Namdar D11/90
- D546,229 S * 7/2007 Womack D11/90
- D565,994 S * 4/2008 Weitman D11/90
- D588,952 S * 3/2009 Schneider D11/90

DESCRIPTION

FIG. 1 is a top and side perspective view of a round stone; FIG. 2 is a bottom and side perspective view thereof; FIG. 3 is a top view thereof; FIG. 4 is a bottom view thereof; and, FIG. 5 is a side view thereof, all sides having the same side view.

The broken lines in FIGS. 1, 2, 4, and 5 depict portions of the round stone that form no part of the claimed design.

1 Claim, 3 Drawing Sheets



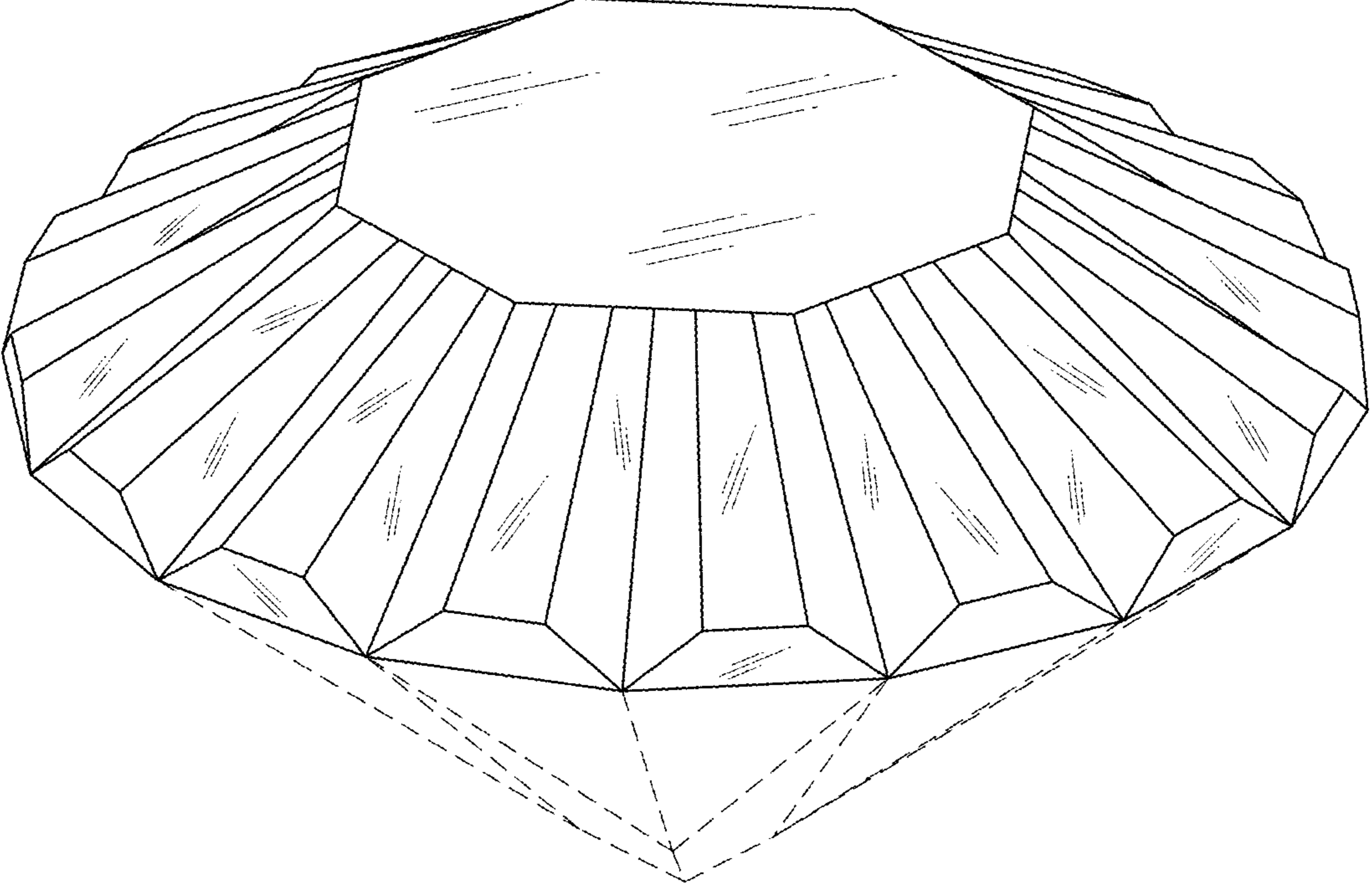


FIG. 1

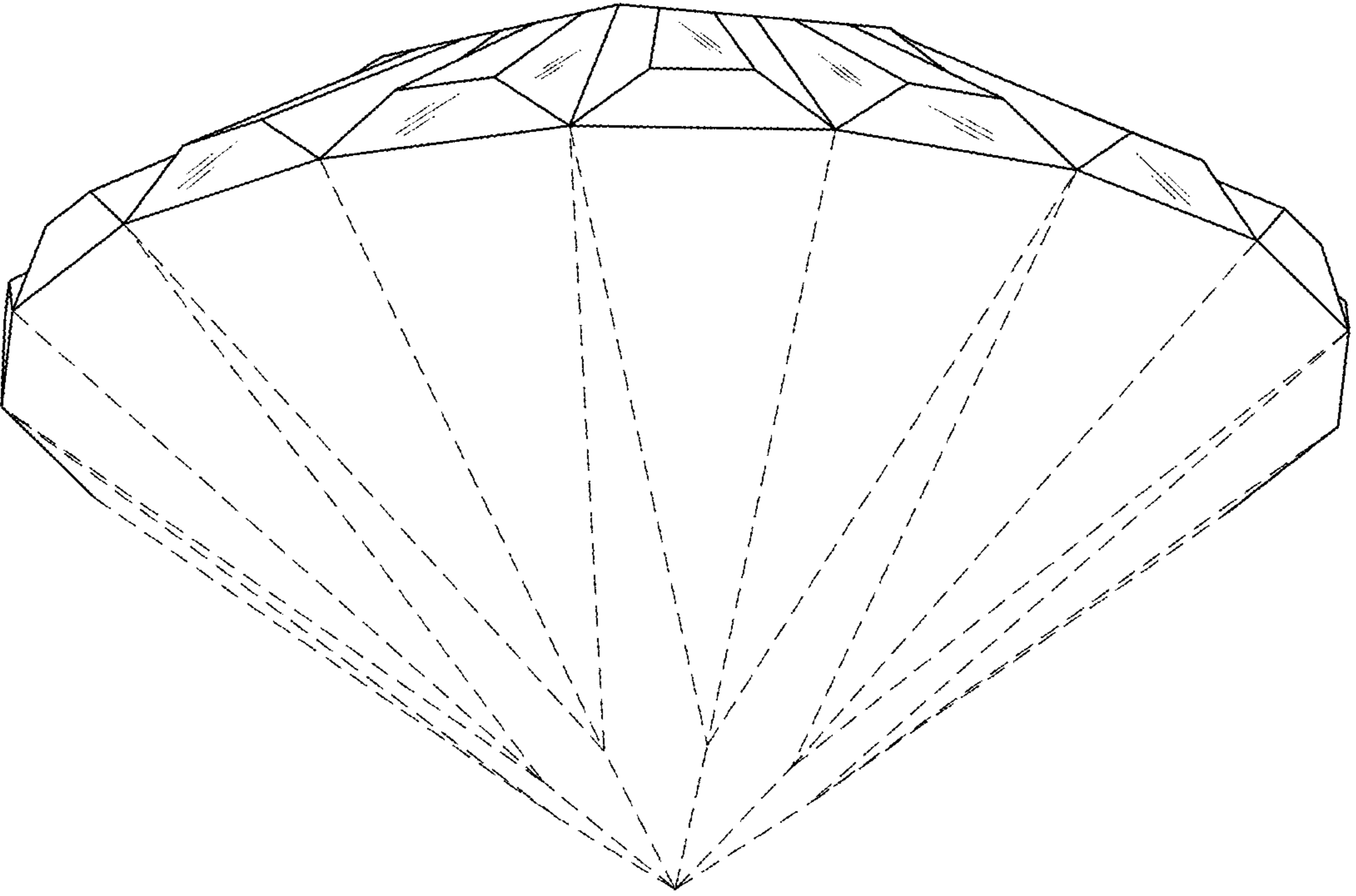


FIG. 2

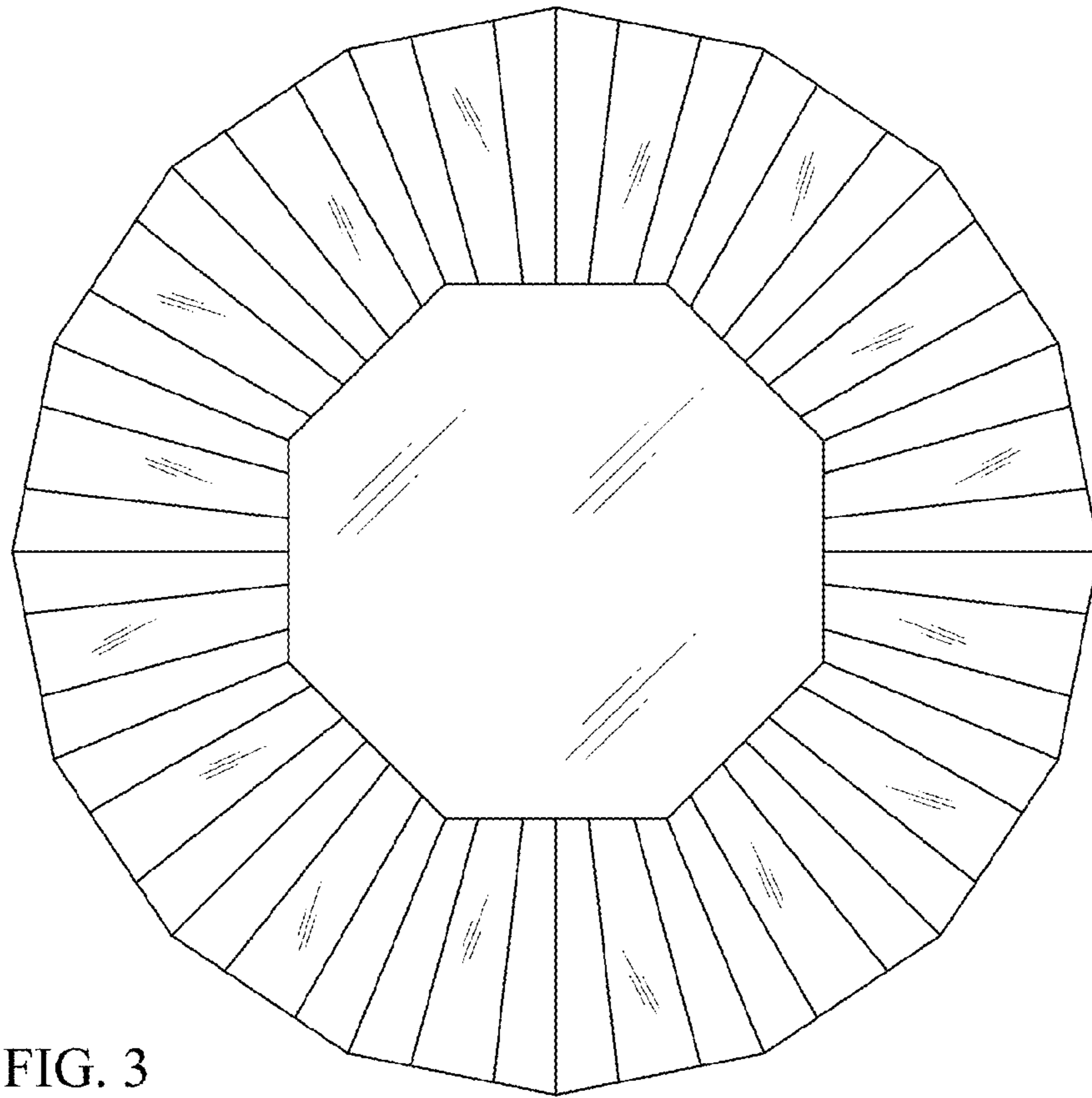


FIG. 3

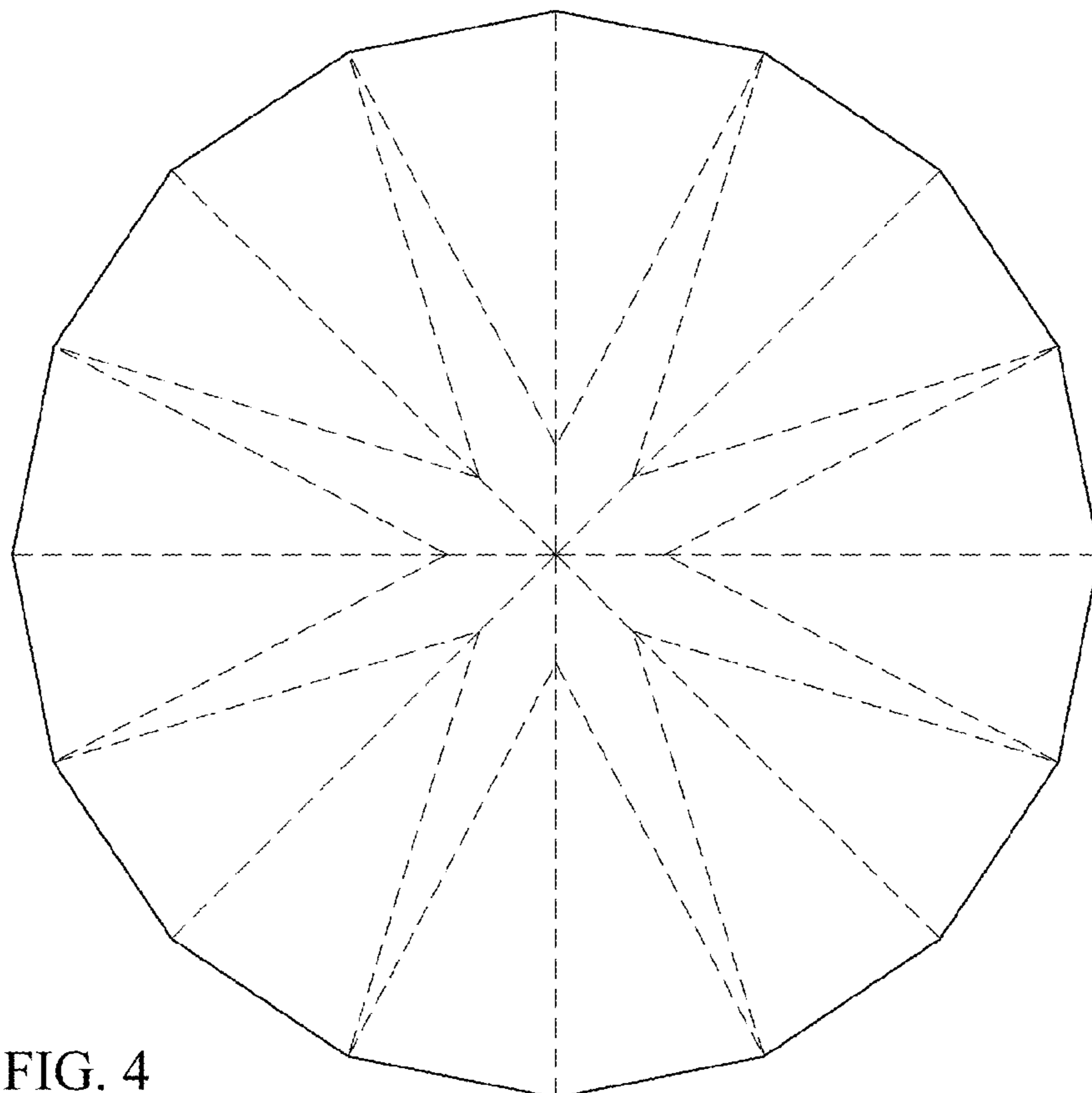


FIG. 4

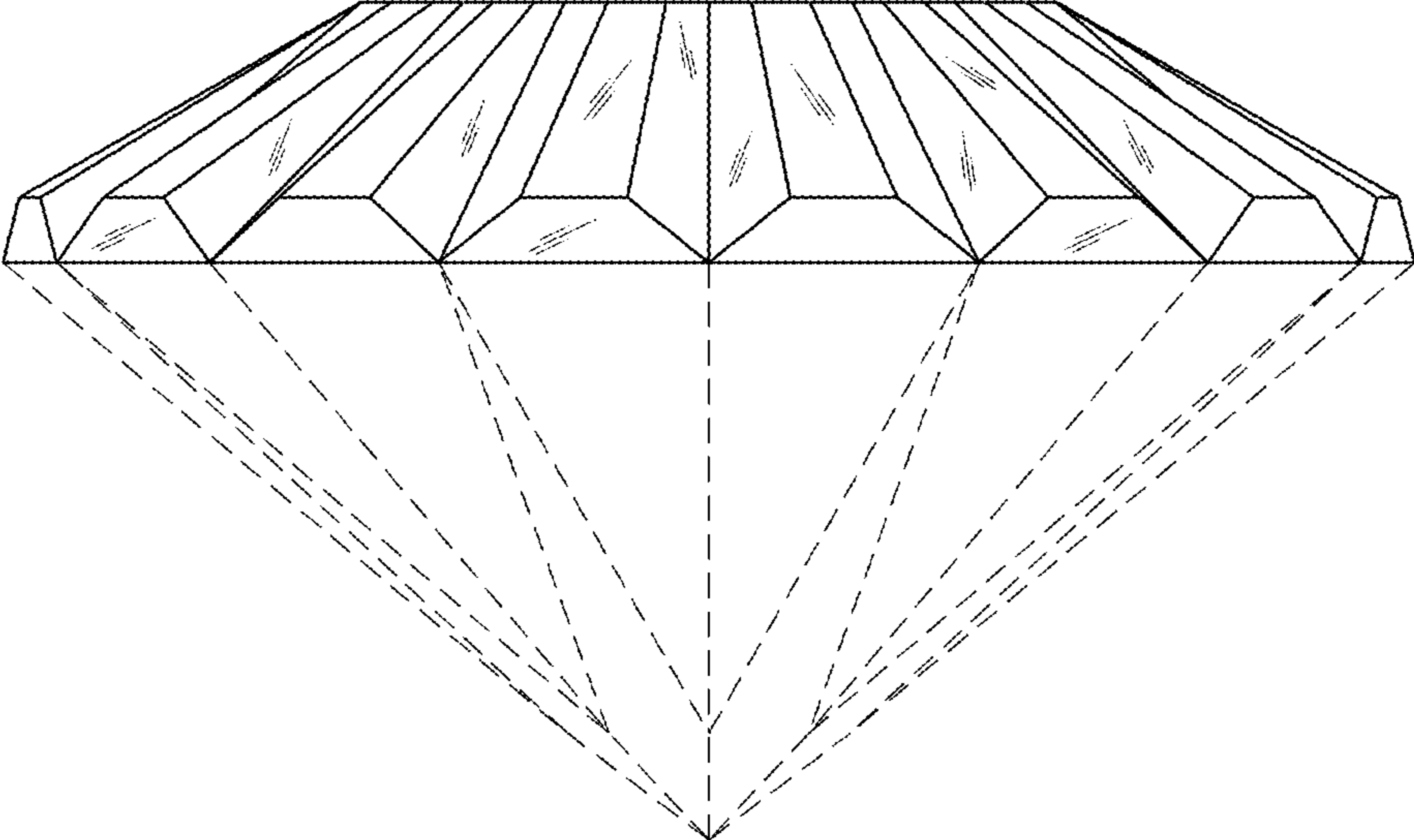


FIG. 5