



US00D955253S

(12) **United States Design Patent**  
**McManigal et al.**

(10) **Patent No.:** **US D955,253 S**  
(45) **Date of Patent:** **\*\* \*Jun. 21, 2022**

(54) **VIDEO DOORBELL**

(71) Applicant: **Arlo Technologies, Inc.**, Carlsbad, CA (US)

(72) Inventors: **Scott McManigal**, Newport Beach, CA (US); **Christopher Fonzo**, Carlsbad, CA (US); **Tommy Ahn**, Northbrook, IL (US); **Scott Chung**, San Diego, CA (US)

(73) Assignee: **Arlo Technologies, Inc.**, Carlsbad, CA (US)

(\*) Notice: This patent is subject to a terminal disclaimer.

(\*\*) Term: **15 Years**

(21) Appl. No.: **29/777,474**

(22) Filed: **Apr. 6, 2021**

(51) **LOC (13) Cl.** ..... **10-05**

(52) **U.S. Cl.**  
USPC ..... **D10/118.2**

(58) **Field of Classification Search**  
USPC ..... D10/118.2, 106.6, 106.7, 106.8, 116.1, D10/118; D13/171, 174; D14/159, 358; D16/202, 203, 208, 209  
CPC ... G08B 3/00; G08B 3/10; G08B 7/00; G08B 7/06; G08B 13/196; G06F 17/30; G09F 27/00  
See application file for complete search history.

(56) **References Cited**

**U.S. PATENT DOCUMENTS**

D800,201 S \* 10/2017 Song ..... D16/202  
D830,872 S \* 10/2018 Jacob ..... D10/118.2  
D836,147 S \* 12/2018 Rao ..... D16/203  
D839,846 S \* 2/2019 Altonen ..... D13/171  
D850,314 S \* 6/2019 Laurans ..... D10/118.2

D850,315 S \* 6/2019 Laurans ..... D10/118.2  
D853,264 S \* 7/2019 Laurans ..... D10/118.2  
D871,483 S \* 12/2019 Chang ..... D16/203  
D879,640 S \* 3/2020 Jacob ..... D10/118.2  
D883,833 S \* 5/2020 Jacob ..... D10/118.2  
D883,834 S \* 5/2020 Jacob ..... D10/118.2  
D892,662 S \* 8/2020 Wang ..... D10/118.2  
D892,663 S \* 8/2020 Han et al.  
D894,774 S \* 9/2020 Yu ..... D10/118.2  
D906,147 S \* 12/2020 Jacob ..... D10/118.2  
D906,148 S \* 12/2020 Jacob ..... D10/118.2  
D906,149 S \* 12/2020 Jacob ..... D10/118.2  
D906,150 S \* 12/2020 Jacob ..... D10/118.2  
D906,151 S \* 12/2020 Jacob ..... D10/118.2  
D906,398 S \* 12/2020 Wang ..... D16/203  
D921,510 S \* 6/2021 Zeng ..... D10/118.2  
D924,712 S \* 7/2021 Tseng ..... D10/118.2  
D926,067 S \* 7/2021 Jacob ..... D10/118.2

\* cited by examiner

*Primary Examiner* — George D. Kirschbaum

*Assistant Examiner* — Lillian Windham

(74) *Attorney, Agent, or Firm* — Boyle Fredrickson S.C.

(57) **CLAIM**

The ornamental design for a video doorbell, as shown and described.

**DESCRIPTION**

FIG. 1 is a top, front, right side perspective view of a camera showing our new design;  
FIG. 2 is a front elevation view thereof;  
FIG. 3 is a rear elevation view thereof;  
FIG. 4 is a right-side elevation view thereof;  
FIG. 5 is a left-side elevation view thereof;  
FIG. 6 is a top plan view thereof; and,  
FIG. 7 is a bottom plan view thereof.

The evenly-spaced broken lines in the drawings represent unclaimed portions of the design, and the dash-dot broken lines represent boundaries of the claimed design. All of the broken lines form no part of the claimed design.

**1 Claim, 7 Drawing Sheets**

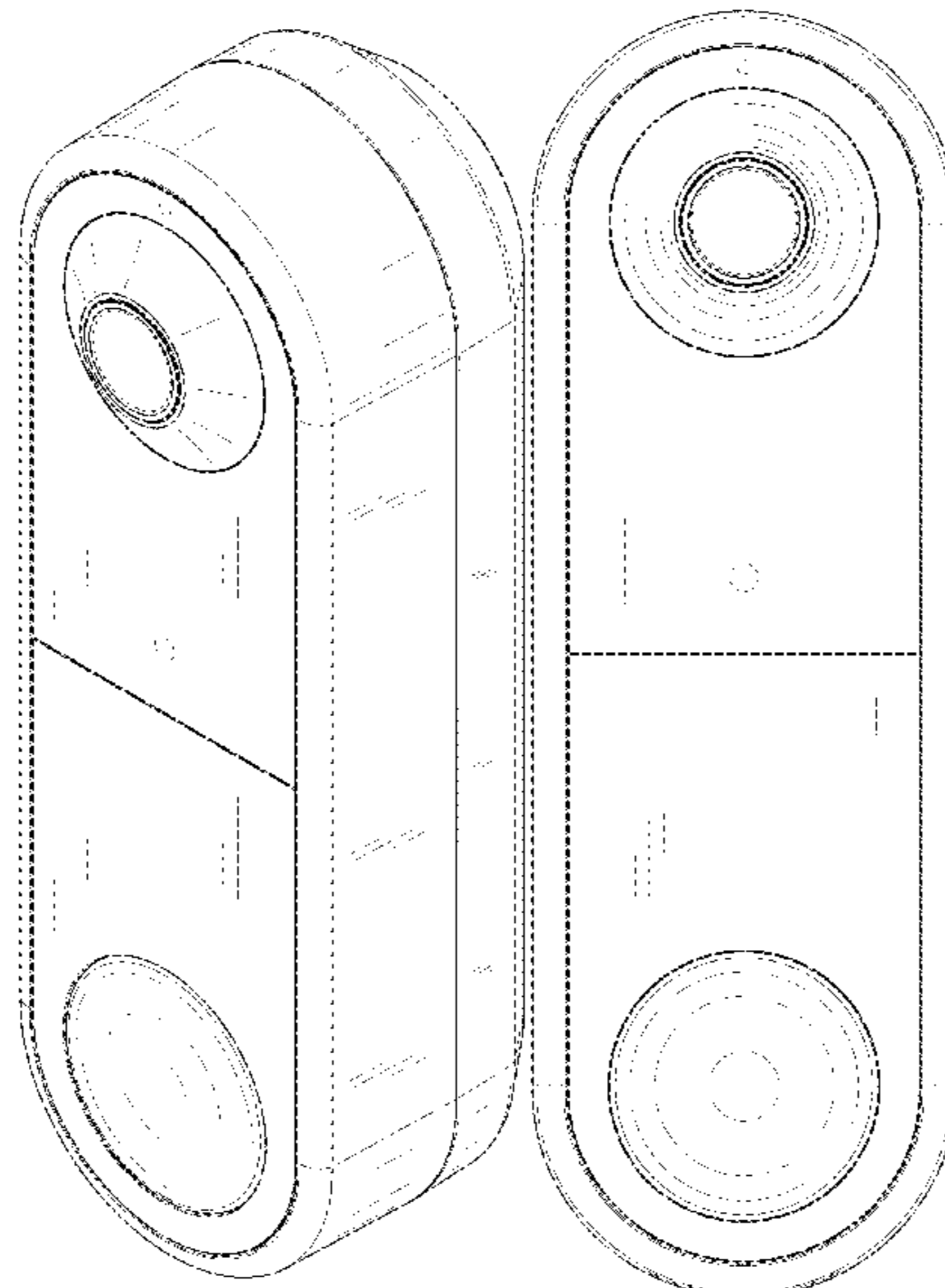
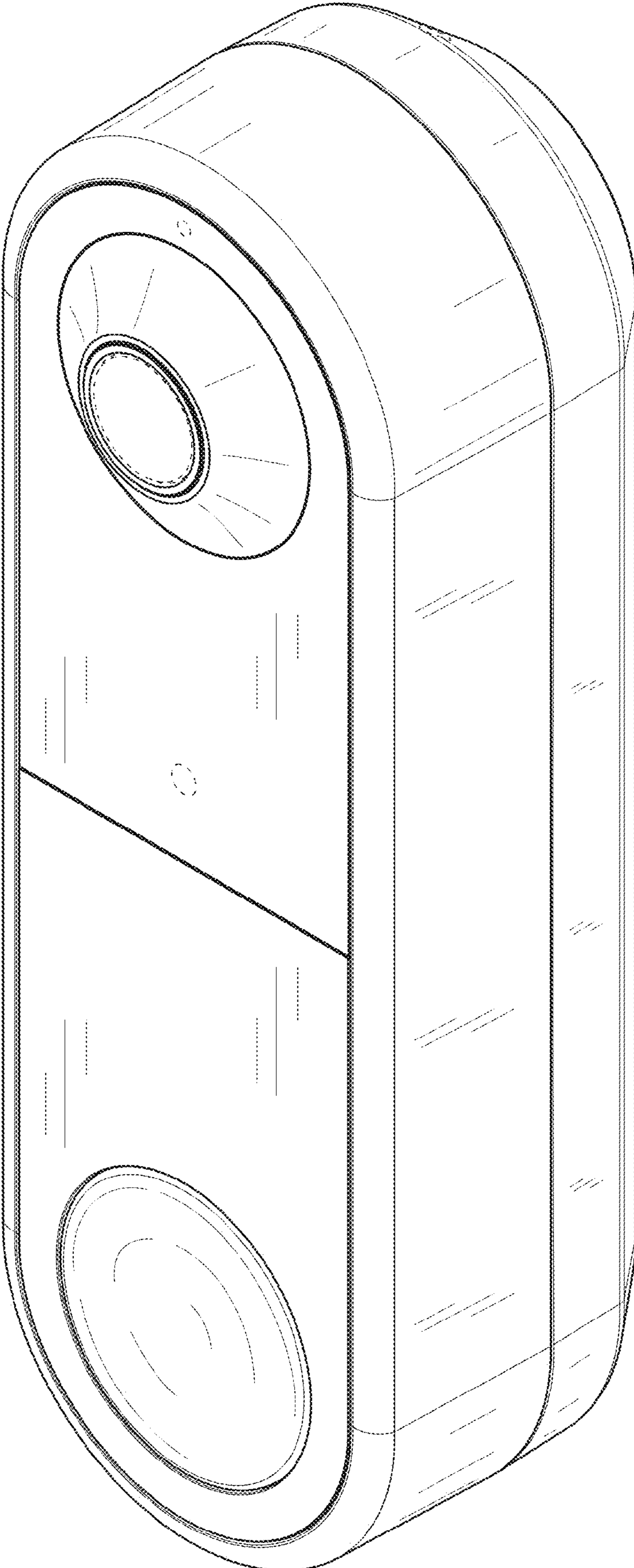


FIG. 1



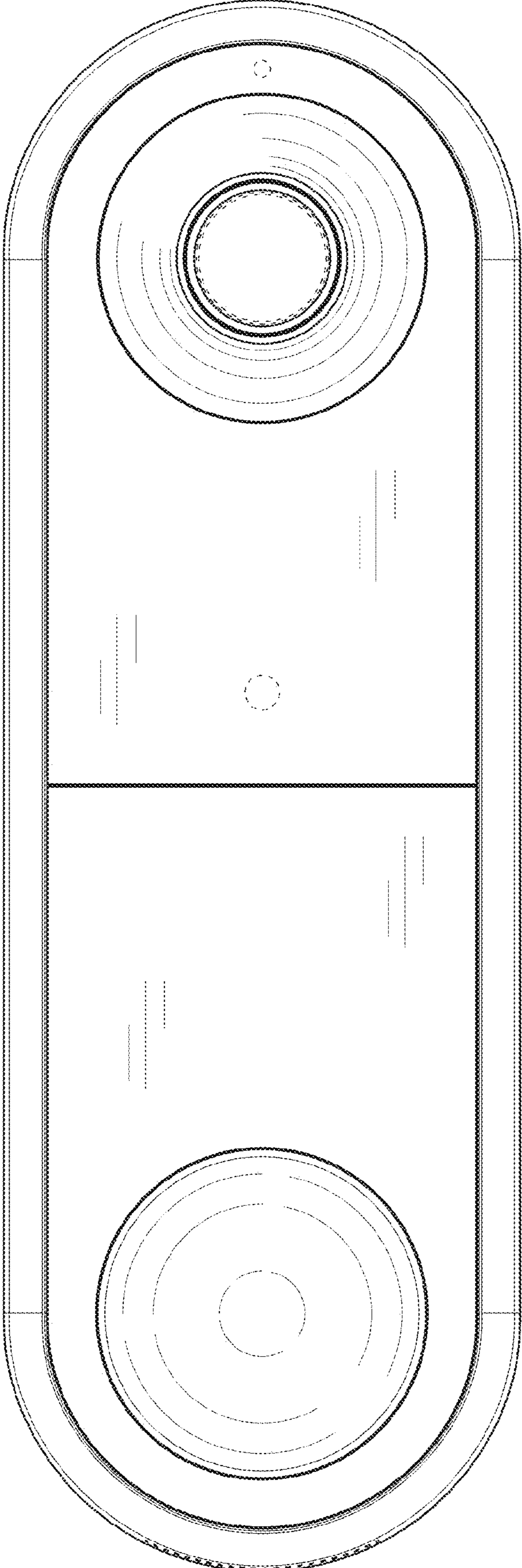


FIG. 2



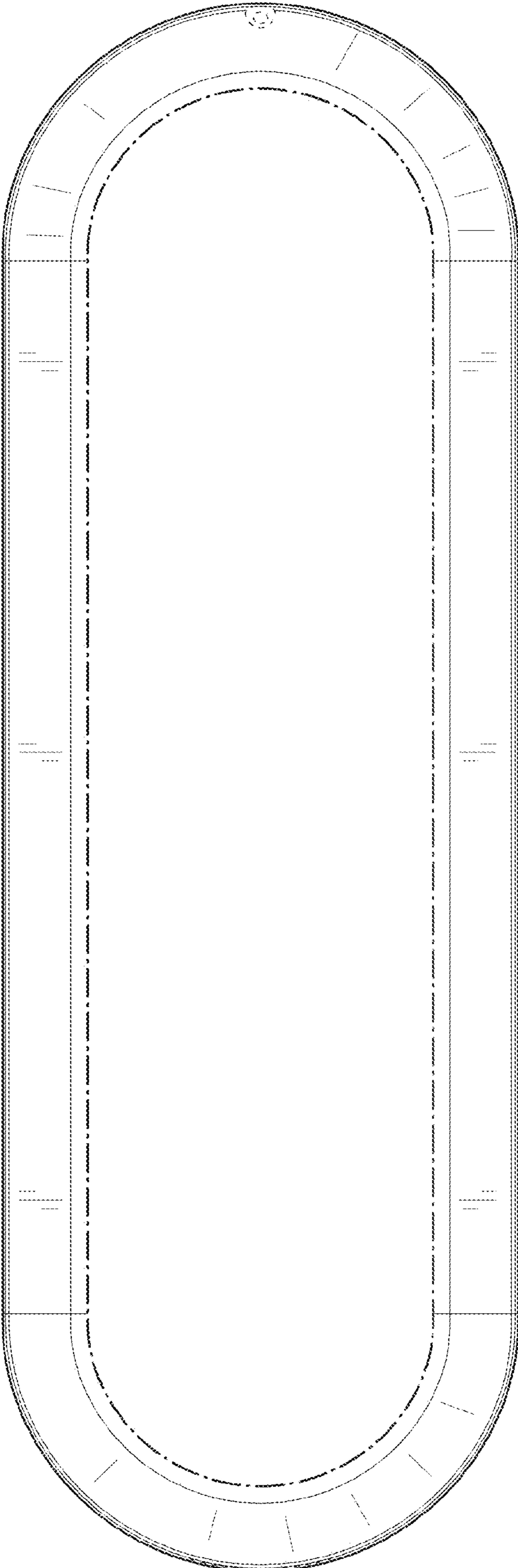


FIG. 3

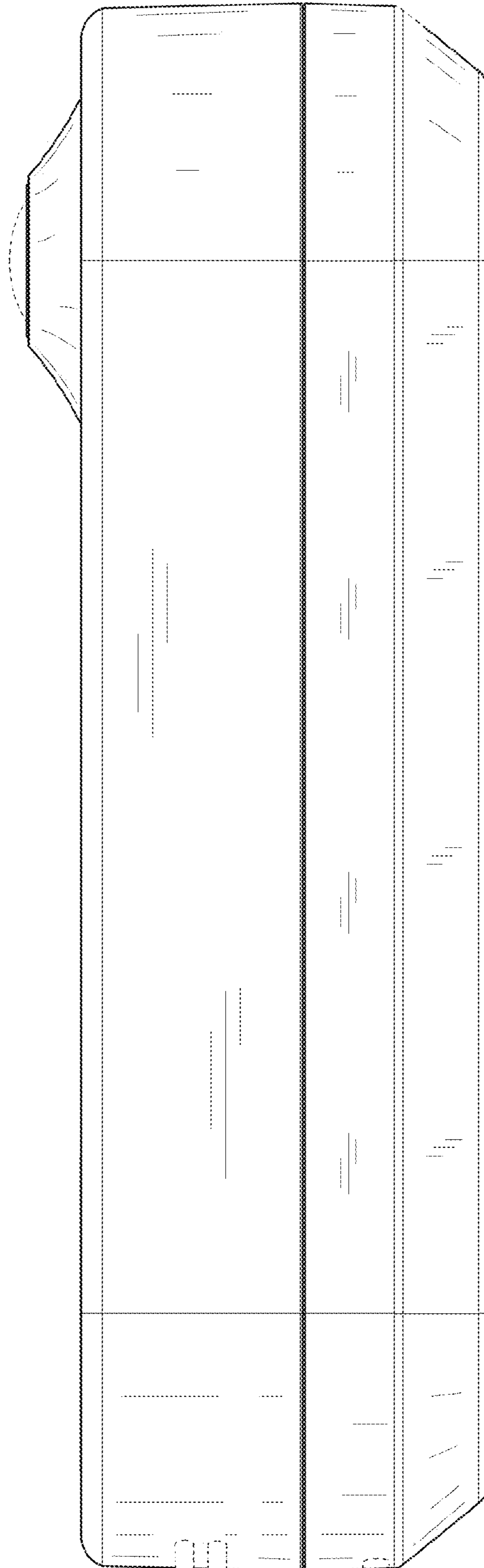


FIG. 4

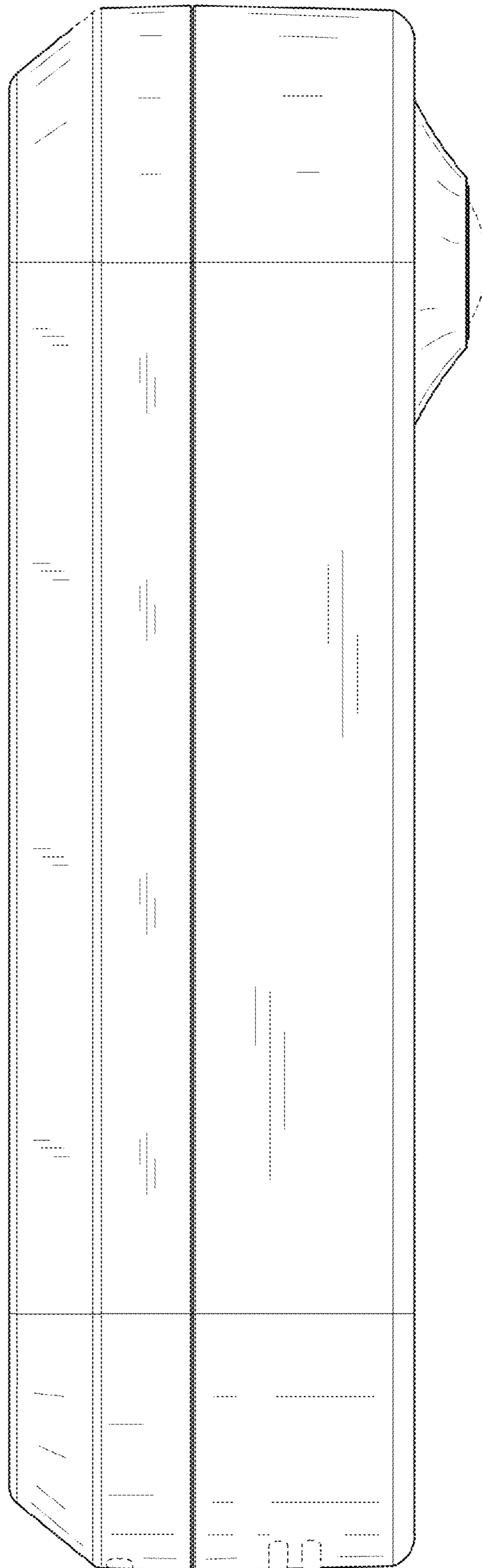


FIG. 5

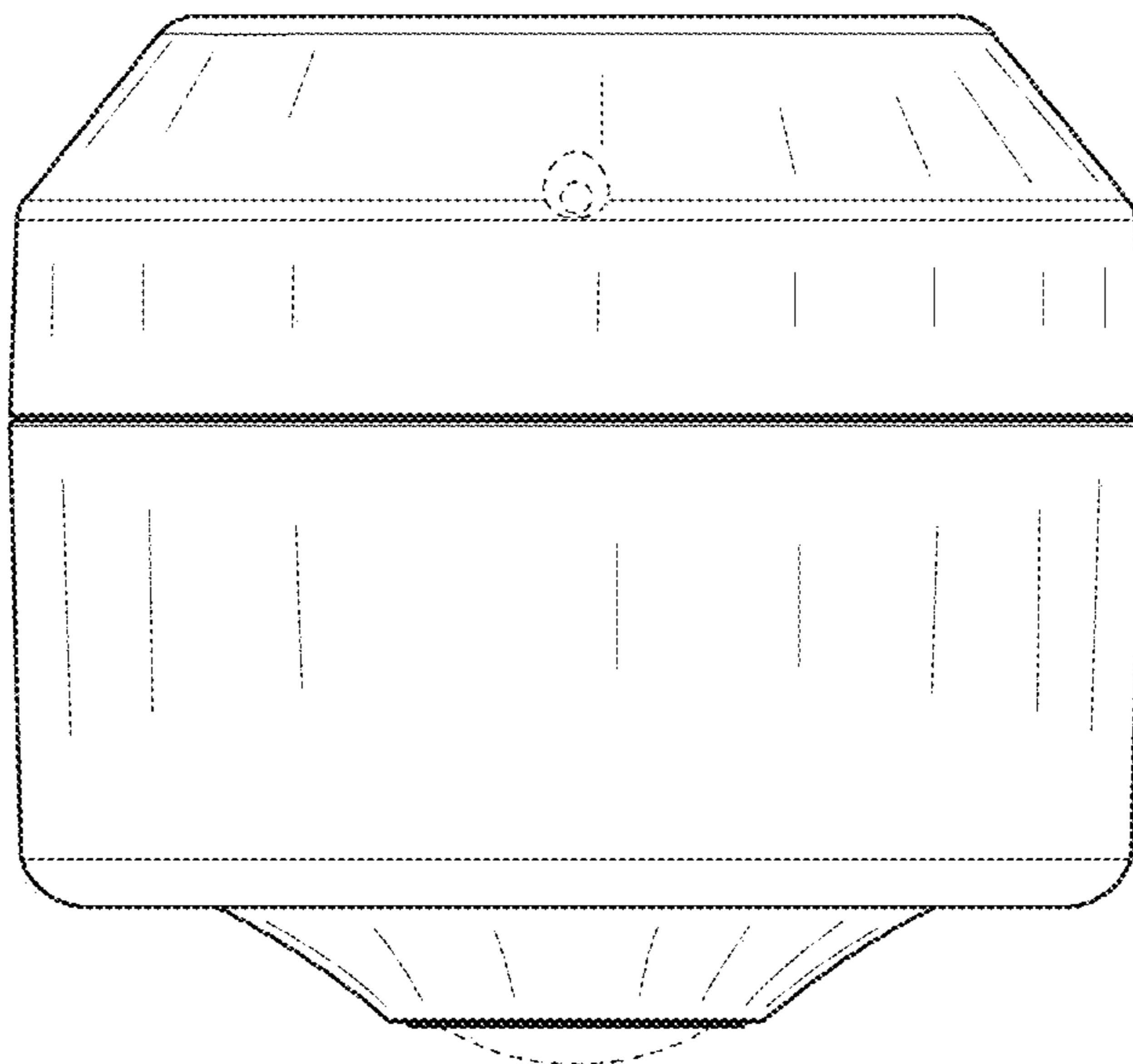


FIG. 6

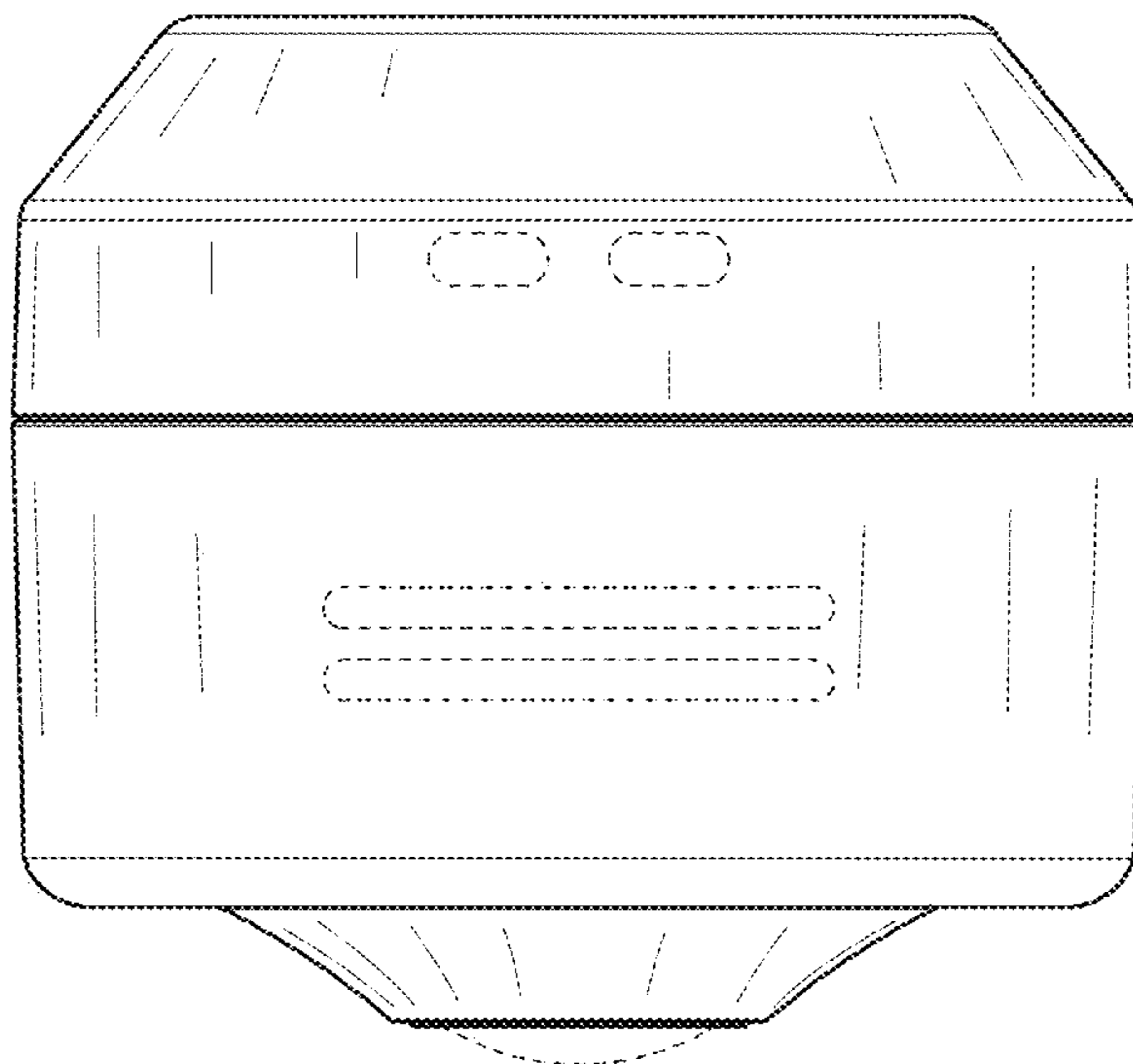


FIG. 7