



US00D955252S

(12) **United States Design Patent**  
**Scalisi et al.**

(10) **Patent No.:** **US D955,252 S**  
(45) **Date of Patent:** **\*\* \*Jun. 21, 2022**

- (54) **DOORBELL CHIME**
- (71) Applicant: **SkyBell Technologies, Inc.**, Irvine, CA (US)
- (72) Inventors: **Joseph Frank Scalisi**, Yorba Linda, CA (US); **Joon Sung**, Riverside, CA (US)
- (73) Assignee: **SkyBell Technologies IP, LLC**, Irvine, CA (US)
- (\*) Notice: This patent is subject to a terminal disclaimer.

- D422,521 S 4/2000 Morrow
- D425,221 S 5/2000 Burns
- D441,346 S 5/2001 Bonn
- D442,617 S 5/2001 Ohmori
- D455,767 S 4/2002 Tsang
- D455,768 S 4/2002 Tsang
- D480,741 S 10/2003 Berger
- D506,404 S 6/2005 Kaczmarek
- D506,693 S 6/2005 Kaczmarek
- D509,842 S 9/2005 Ou
- 7,015,943 B2 3/2006 Chiang
- 7,113,578 B2 9/2006 Unger

(Continued)

(\*\*) Term: **15 Years**

(21) Appl. No.: **29/719,241**

(22) Filed: **Jan. 2, 2020**

(51) **LOC (13) Cl.** ..... **10-05**

(52) **U.S. Cl.**  
USPC ..... **D10/118.2**

(58) **Field of Classification Search**  
USPC ..... D10/106.6, 106.7, 106.8, 116.1, 118, D10/118.2, 121-124, 126; D13/171, 174; D14/358; D16/202, 203, 208, 209, 215  
CPC ... G08B 3/00; G08B 3/10; G08B 7/00; G08B 7/06; G08B 13/1436; G08B 13/1463; G08B 13/1481

See application file for complete search history.

(56) **References Cited**

**U.S. PATENT DOCUMENTS**

- 1,230,643 A 6/1917 Anderson
- D179,803 S 3/1957 Gillette
- D215,375 S 9/1969 Doggert
- D225,379 S 12/1972 Gallagher
- 4,172,967 A 10/1979 Porter
- D297,222 S 8/1988 Rauch
- 5,148,468 A 9/1992 Marrick
- D371,086 S 6/1996 Collins
- D404,673 S 1/1999 Gordon

**OTHER PUBLICATIONS**

Skybell; Answer Door with Smart Phone; MySkyBell.com (later SkyBell.com); Downloaded on Nov. 18, 2013 from <URL: <http://www.myskybell.com>>.

(Continued)

*Primary Examiner* — Joseph Kukella

(74) *Attorney, Agent, or Firm* — Gallium Law; Wesley Schwie, Esq.; Justin Schwechter

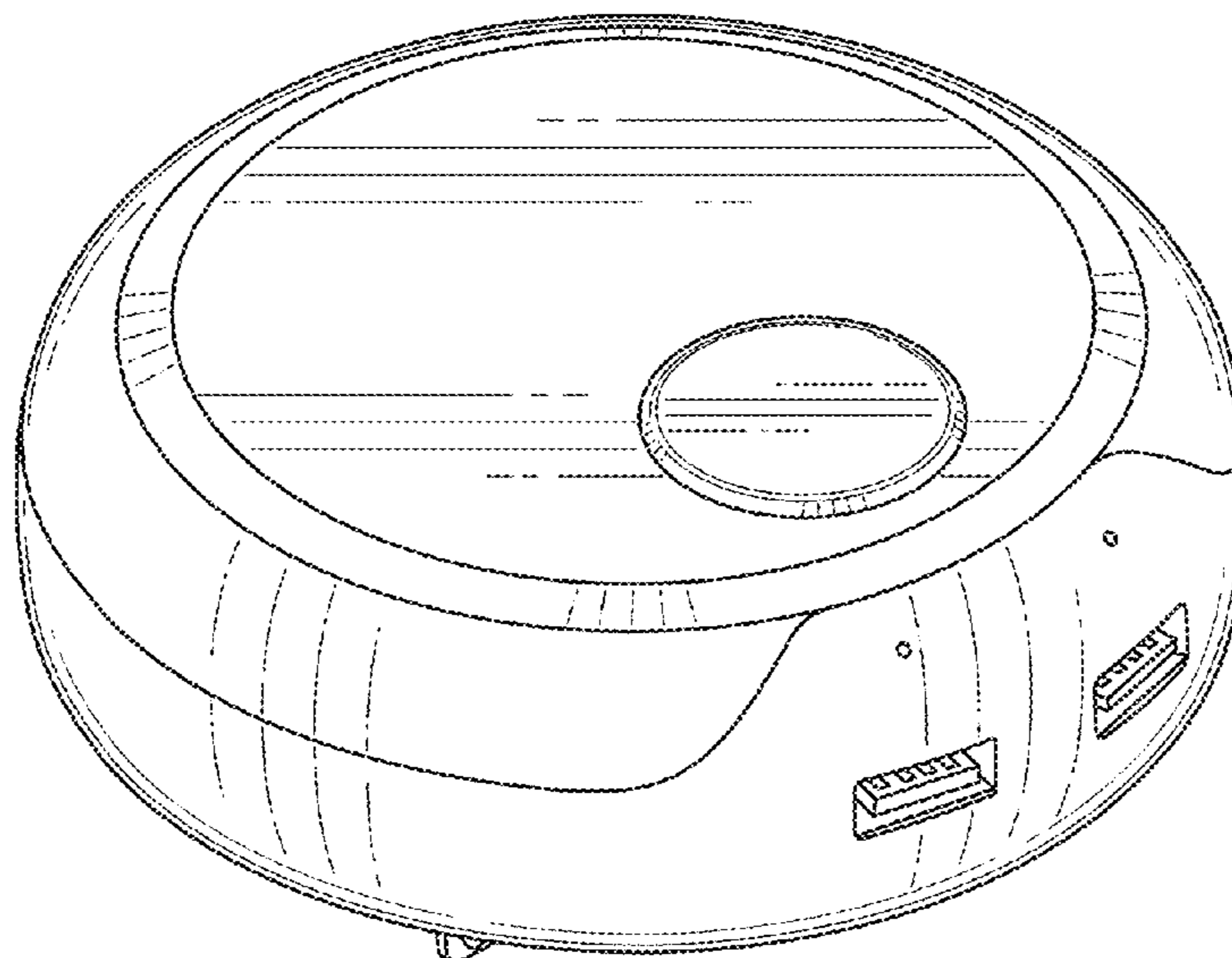
(57) **CLAIM**

The ornamental design for a doorbell chime, as shown and described.

**DESCRIPTION**

FIG. 1 is a top, first side, and front perspective view of a doorbell chime embodying the new design;  
 FIG. 2 is a bottom, first side, and back perspective view thereof;  
 FIG. 3 is a front view thereof;  
 FIG. 4 is a back view thereof;  
 FIG. 5 is a first side view thereof;  
 FIG. 6 is a second side view thereof;  
 FIG. 7 is a top view thereof; and,  
 FIG. 8 is a bottom view thereof.

**1 Claim, 8 Drawing Sheets**



(56)

References Cited

U.S. PATENT DOCUMENTS

D530,231 S 10/2006 Kawabata  
 D534,566 S 1/2007 Ishii  
 D537,095 S 2/2007 Alden  
 D575,316 S 8/2008 Liu  
 D577,301 S 9/2008 Johnson  
 D592,231 S 5/2009 Schnell  
 D627,671 S 11/2010 Gonzales  
 D640,756 S 6/2011 Busse  
 D645,005 S 9/2011 Menheere  
 D645,071 S 9/2011 Hinkel  
 D657,410 S 4/2012 Helaoui  
 D659,197 S 5/2012 Slone  
 D664,178 S 7/2012 Hinkel  
 D677,297 S 3/2013 Bart  
 D679,309 S 4/2013 Park  
 D680,015 S 4/2013 Hauser  
 D687,328 S 8/2013 Clymer  
 D689,536 S 9/2013 Li  
 D689,828 S 9/2013 Pierson  
 D692,847 S 11/2013 Barley  
 D694,305 S 11/2013 Katori  
 D694,306 S 11/2013 Katori  
 D711,275 S 8/2014 Scalisi  
 8,834,044 B2 9/2014 Uehara  
 D719,205 S 12/2014 Matsumoto  
 D719,994 S 12/2014 Wang  
 D721,755 S 1/2015 Åhman  
 D727,769 S 4/2015 Scalisi  
 D727,989 S 4/2015 Hasuda  
 D729,179 S 5/2015 Cheung  
 D729,678 S 5/2015 Scalisi  
 D729,859 S 5/2015 Shin  
 D730,422 S 5/2015 Kim  
 D733,780 S 7/2015 Chen  
 D734,801 S 7/2015 Yang  
 D736,294 S 8/2015 Scalisi  
 9,113,051 B1 8/2015 Scalisi  
 D739,942 S 9/2015 Pernu  
 D746,165 S 12/2015 Li  
 D746,166 S 12/2015 Li  
 D747,384 S 1/2016 Scalisi  
 D747,385 S 1/2016 Scalisi  
 D747,755 S 1/2016 Scalisi  
 D747,756 S 1/2016 Scalisi  
 D748,178 S 1/2016 Scalisi  
 D748,179 S 1/2016 Scalisi  
 D748,180 S 1/2016 Scalisi  
 9,230,424 B1 1/2016 Scalisi  
 D748,709 S 2/2016 Jeong  
 D751,446 S 3/2016 Lin  
 D752,674 S 3/2016 Katori  
 D756,828 S 5/2016 Wettre  
 D757,587 S 5/2016 Li  
 9,342,936 B2 5/2016 Scalisi  
 D758,470 S 6/2016 Kircher  
 D766,121 S 9/2016 Scalisi  
 D773,947 S 12/2016 Scarcella  
 D776,180 S 1/2017 Fiedler  
 9,584,775 B2 2/2017 Siminoff  
 D795,115 S 8/2017 Parker  
 D795,728 S 8/2017 Parker  
 D795,937 S 8/2017 Chang  
 9,769,435 B2 9/2017 Scalisi  
 D799,359 S 10/2017 Zhang  
 D800,077 S 10/2017 Windstrup  
 D800,816 S 10/2017 Fujita  
 D803,922 S 11/2017 Chang  
 D803,923 S 11/2017 Tudosoiu  
 D808,912 S 1/2018 Dimberg  
 D809,951 S 2/2018 Yang  
 D810,970 S 2/2018 Thompson  
 D812,577 S 3/2018 Turksu  
 D813,212 S 3/2018 Nangeroni  
 D824,791 S \* 8/2018 Scalisi ..... D10/118  
 D825,539 S 8/2018 Lu

10,041,639 B1 8/2018 Thompson  
 D830,870 S 10/2018 Shepher  
 D837,168 S 1/2019 Altonen  
 D837,169 S 1/2019 Altonen  
 D838,305 S 1/2019 Chang  
 D840,258 S \* 2/2019 Scalisi ..... D10/118.2  
 D840,460 S \* 2/2019 Scalisi ..... D16/203  
 D852,077 S \* 6/2019 Seaberry ..... D10/118  
 D912,123 S \* 3/2021 Scalisi ..... D16/203  
 2004/0124978 A1 7/2004 Chen  
 2008/0036862 A1 2/2008 Lang  
 2013/0045763 A1 2/2013 Ruiz  
 2013/0335568 A1 12/2013 Tang  
 2014/0125754 A1 5/2014 Haywood  
 2014/0301729 A1 10/2014 Okamura  
 2015/0022618 A1 1/2015 Siminoff  
 2015/0049191 A1 2/2015 Scalisi  
 2015/0228167 A1 8/2015 Scalisi  
 2016/0191864 A1 6/2016 Siminoff  
 2016/0284170 A1 9/2016 Kasmir  
 2016/0300476 A1 10/2016 Kasmir  
 2017/0048495 A1 2/2017 Scalisi  
 2017/0084131 A1 3/2017 Harrison  
 2017/0084132 A1 3/2017 Scalisi  
 2017/0280109 A1 9/2017 Scalisi  
 2017/0339262 A1 11/2017 Scalisi  
 2017/0373876 A1 12/2017 Scalisi  
 2017/0373877 A1 12/2017 Scalisi  
 2018/0069722 A1 3/2018 Scalisi

OTHER PUBLICATIONS

Glate; DefenDoor by Glate LLC; Downloaded on Dec. 11, 2014 from <URL: <https://www.kickstarter.com/projects/85455040/defendoor-a-home-security-system-that-syncs-with-y>>.  
 EyeTalk; EyeTalk for Home; Downloaded on May 24, 2013 from <URL: <http://www.revolutionaryconceptsinc.com/forhome.html>>.  
 Made in China; Wholesale Wireless Multi Family Music Electric Doorbell Christmas Smart Round Bell Round Chime; Downloaded on Jun. 21, 2018 from <URL: <https://linptechdoorbell.en.made-in-china.com/product/NKAJVuiXCLYj/China-Wholesale-Wireless-Multi-Family-Music-Electric-Doorbell-Christmas-Smart-Round-Bell-Round-Chime.html>>.  
 Youtube; SkyBell Wi-Fi Video Doorbell; Sep. 11, 2015; Downloaded on Jun. 21, 2018 from <URL: <https://www.youtube.com/watch?v=ARQsMkjUYgs>>.  
 Wantitall; Wireless Doorbell, Govee IP66 Waterproof Door Bell Chime Kit with LED Flash, 1 Push Button and 1 Fireproof Plug-in Receiver, 1000 Feet Operating Range, 5 Levels Volume, 38 Melodies to Choose, White; Downloaded Feb. 15, 2019 from <URL: [https://www.wantitall.co.za/tools/wireless-doorbell-govee-ip66-waterproof-door-bell-chime-kit-with-led-flash-1-push-button-and-1-firep\\_b07f1lzmsj](https://www.wantitall.co.za/tools/wireless-doorbell-govee-ip66-waterproof-door-bell-chime-kit-with-led-flash-1-push-button-and-1-firep_b07f1lzmsj)>.  
 Wantitall; Coolqiya Wireless Remote Doorbells Chime with 1 Door Button and 1 Plug in Receiver, No Battery Required for Receiver, Black; Downloaded Feb. 15, 2019 from <URL: [https://www.wantitall.co.za/tools/coolqiya-wireless-remote-doorbells-chime-with-1-door-button-and-1-plug-in-receiver-no-battery-quir\\_b0713vnc3n](https://www.wantitall.co.za/tools/coolqiya-wireless-remote-doorbells-chime-with-1-door-button-and-1-plug-in-receiver-no-battery-quir_b0713vnc3n)>.  
 Chewy; Mighty Paw Smart Bell 2.0 Potty Training Dog Doorbell, White; Downloaded Feb. 15, 2019 from <URL: <https://www.chewy.com/mighty-paw-smart-bell-20-potty/dp/162573>>.  
 Amazon; Self Powered Wireless Doorbell Kit: 1 Remote Button and 1 Plug in Receiver with 38 Chimes and LED Indicator, No Batteries Required for Remote Button and Receiver, Linbell G3 with learning Code; Mar. 27, 2017; Downloaded Feb. 15, 2019 from <URL: [https://www.amazon.com/Self-Powered-Wireless-Doorbell-Kit/dp/B06XWBMH4G/ref=sr\\_1\\_359?s=lamps-light&ie=UTF8&qid=1548376997&sr=1-359&keywords=doorbell+chime](https://www.amazon.com/Self-Powered-Wireless-Doorbell-Kit/dp/B06XWBMH4G/ref=sr_1_359?s=lamps-light&ie=UTF8&qid=1548376997&sr=1-359&keywords=doorbell+chime)>.  
 Amazon; Plug-in Night Light, Light Sensitive, Low Light Warm LED Nightlight with Sensor, Daylight White, Round, Soft Glow, 4 Pack, for Indoor Use; Aug. 13, 2018; Downloaded Feb. 15, 2019 from <URL: <https://www.amazon.com/Bedroom-Bathroom-Kitchen->



(56)

**References Cited**

OTHER PUBLICATIONS

Daylight-M1801/dp/B07GDPFLM3/ref=sr\_1\_28?ie=UTF8&qid=1548377192&sr=8-28&keywords=round+night+light>.

\* cited by examiner

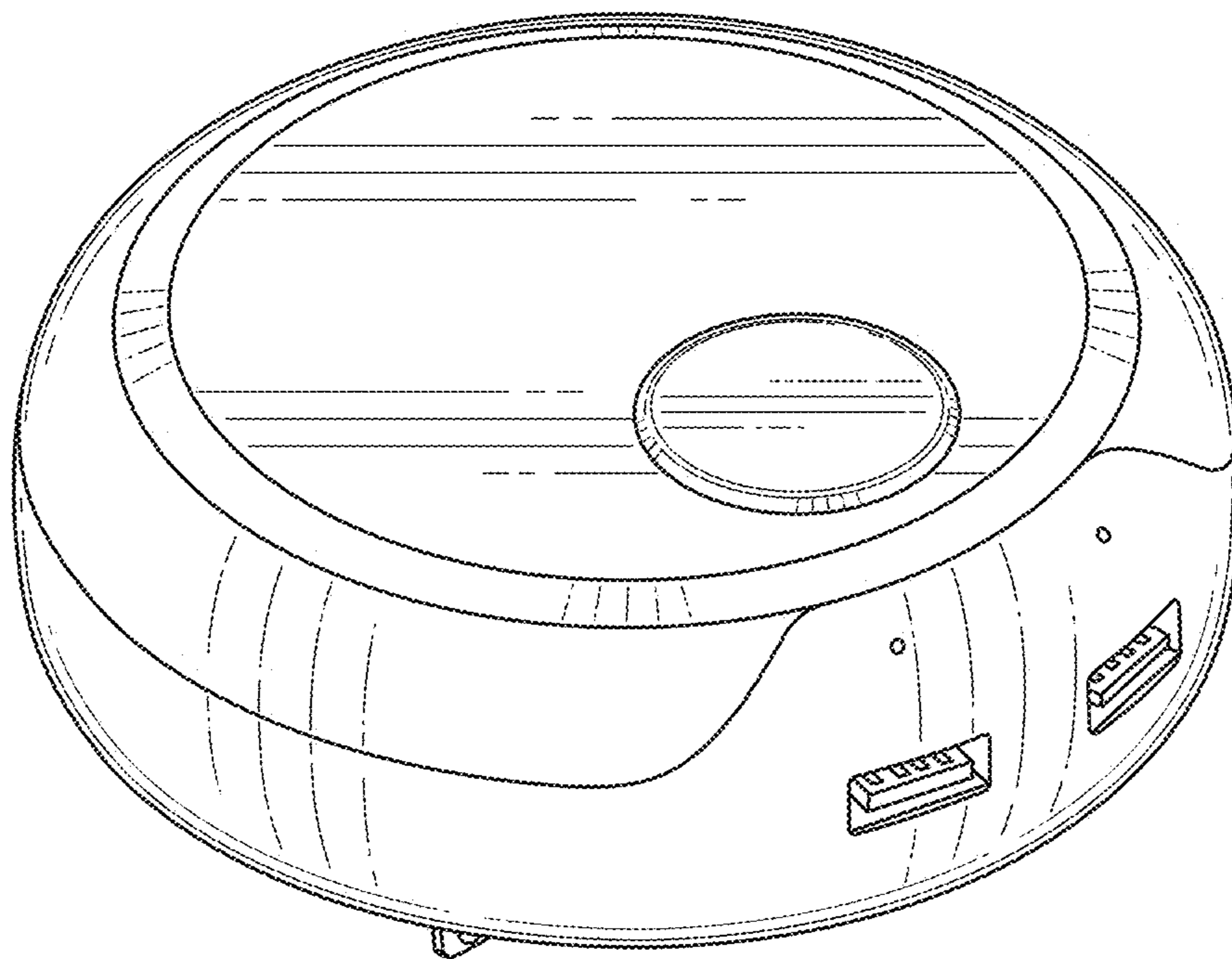


FIG. 1

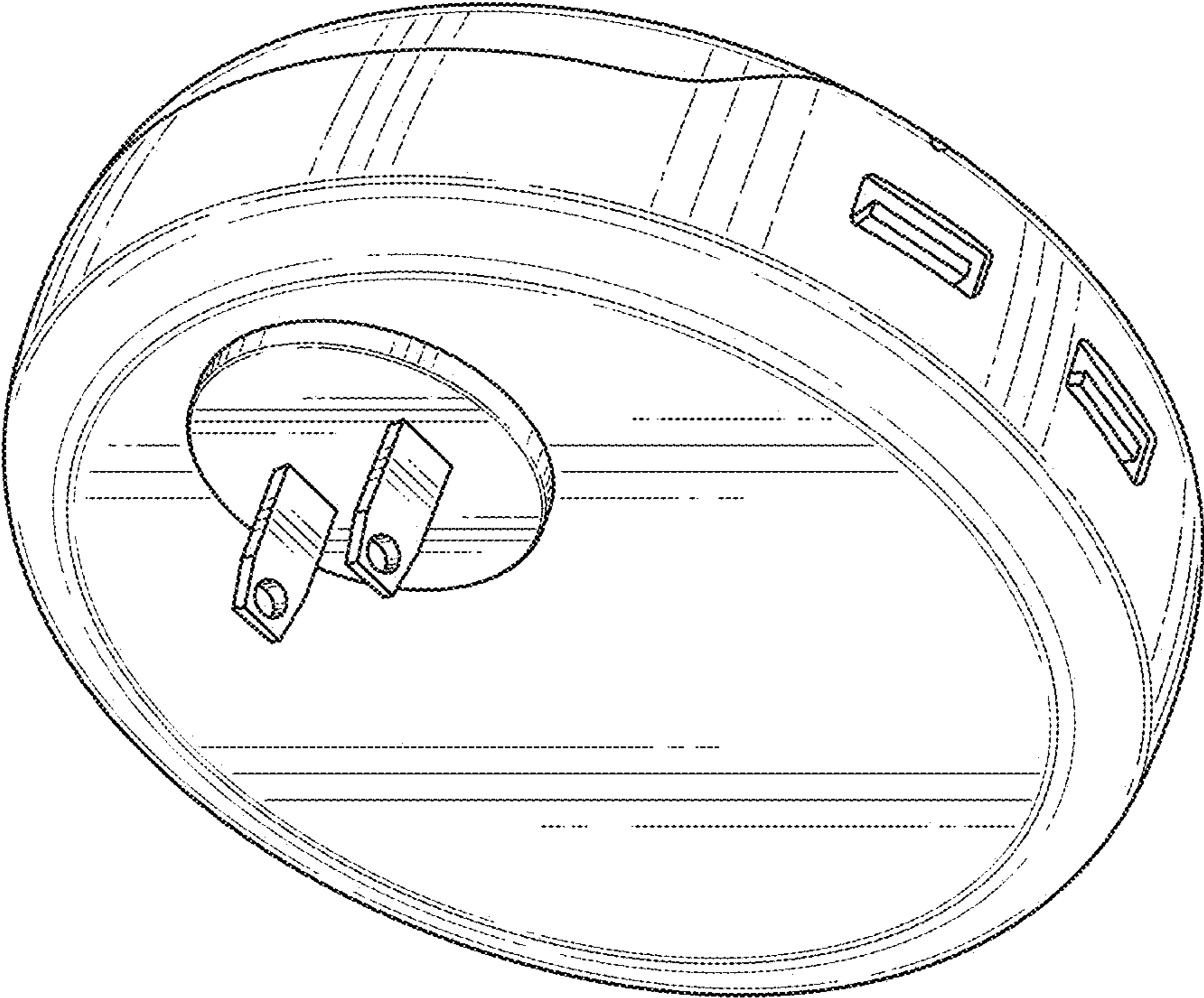


FIG. 2

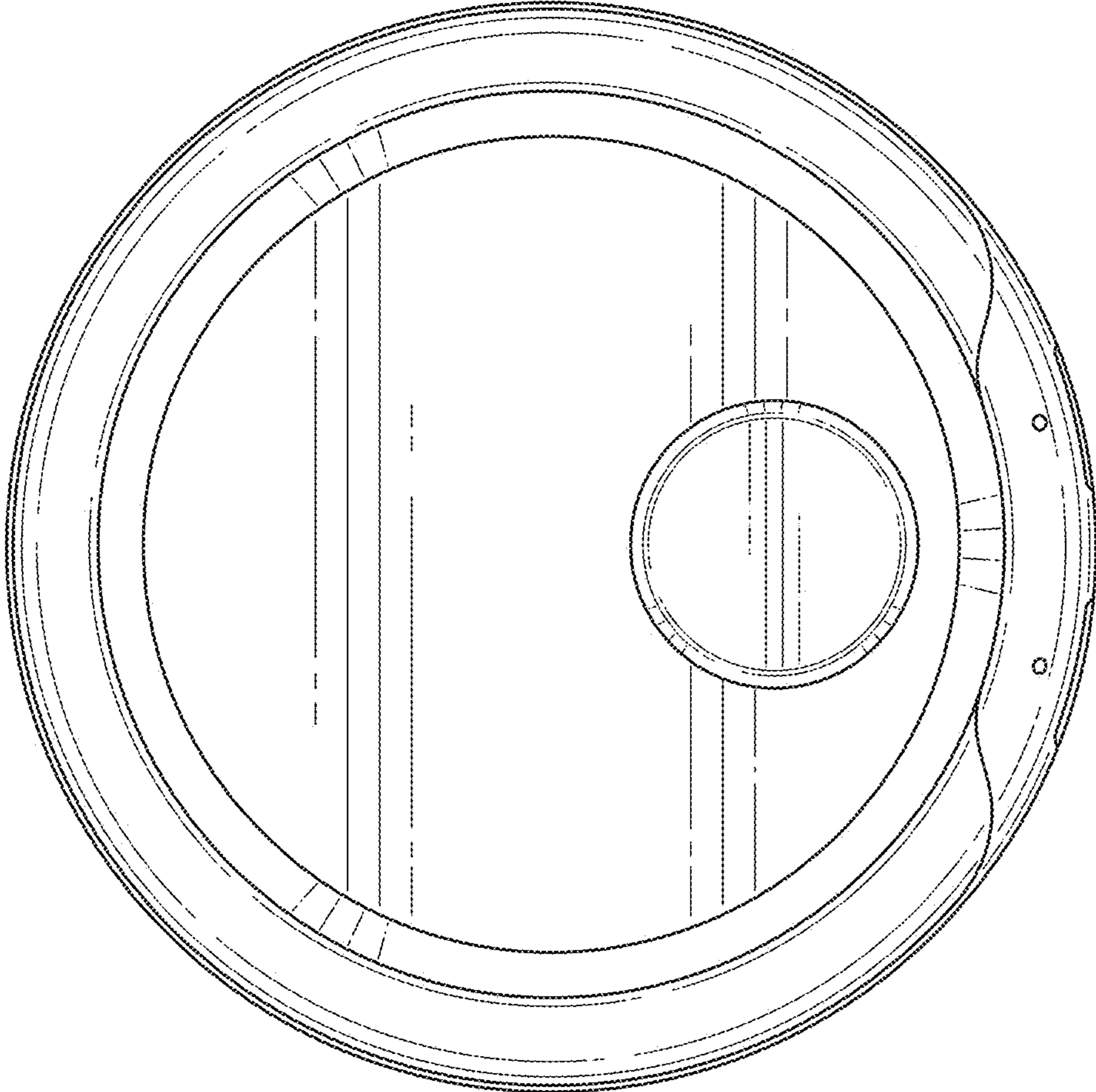


FIG. 3

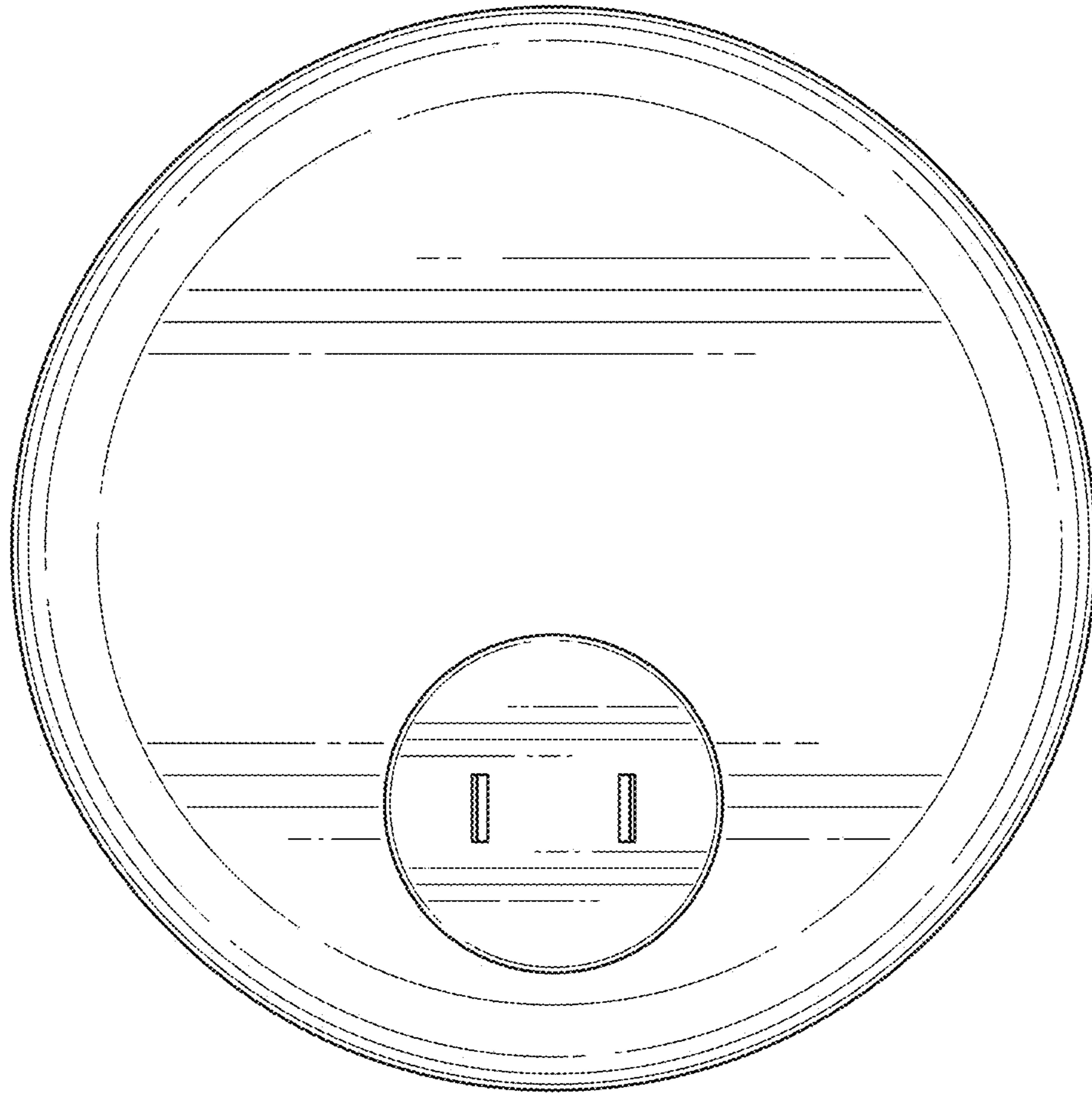


FIG. 4

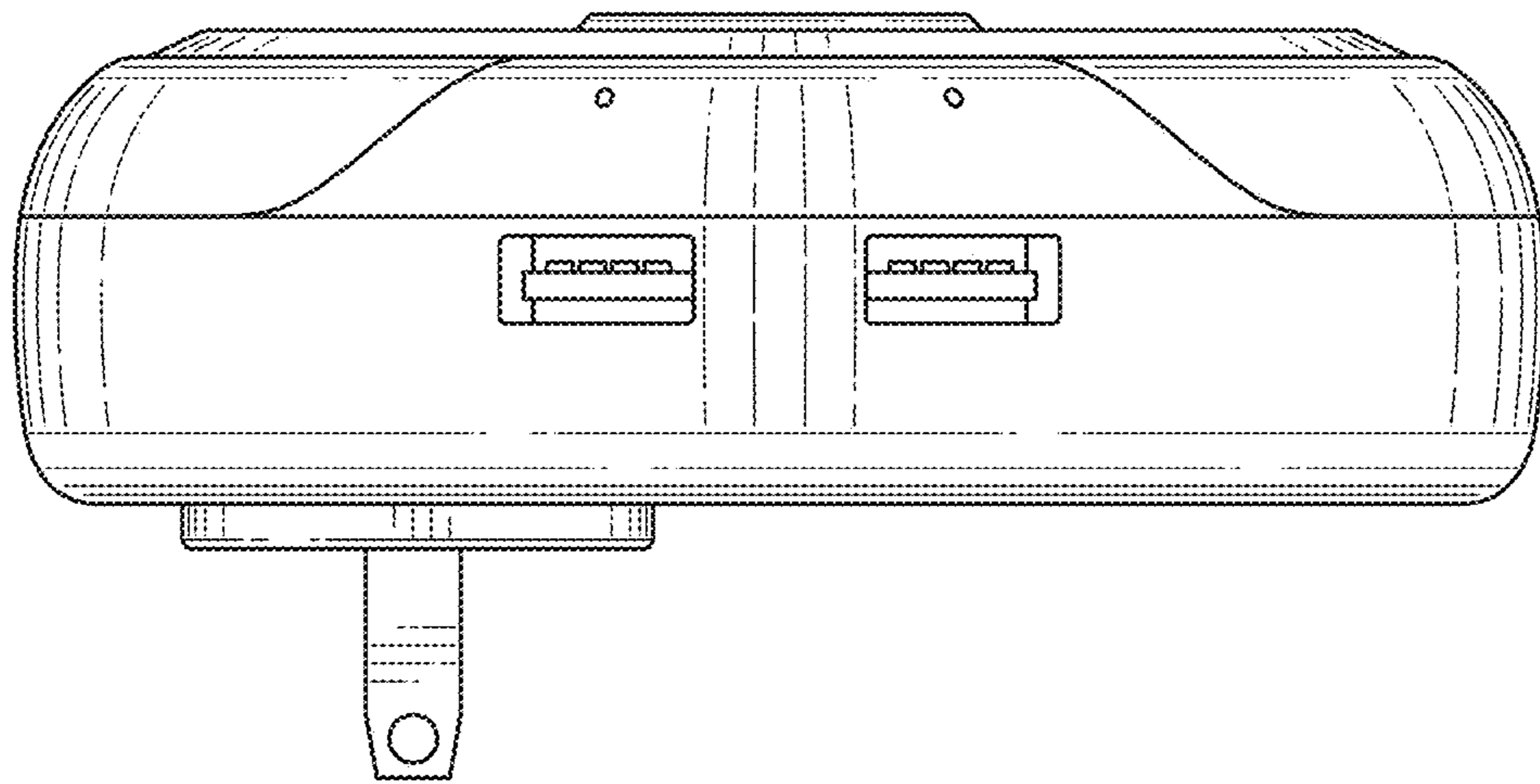


FIG. 5



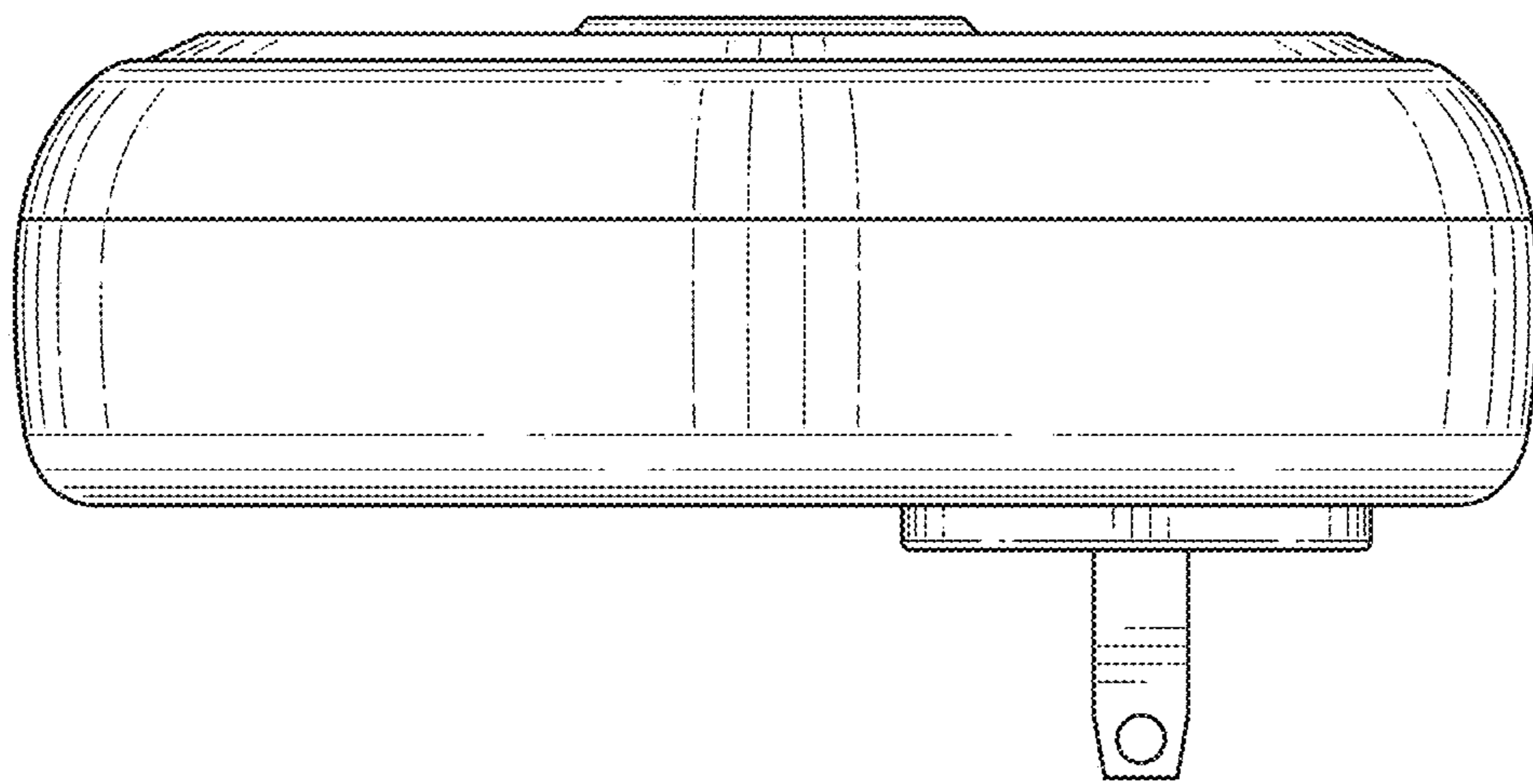


FIG. 6

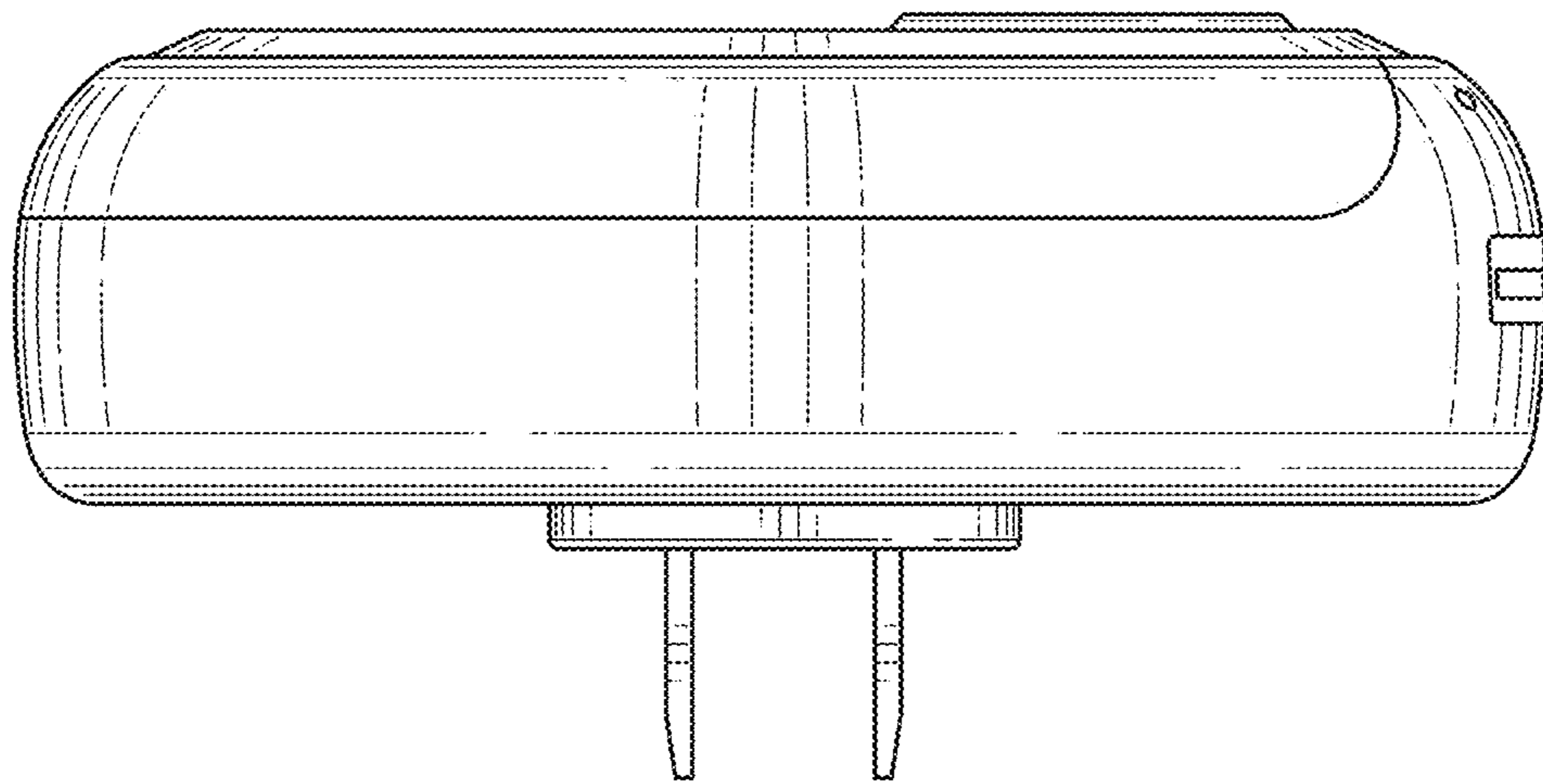


FIG. 7

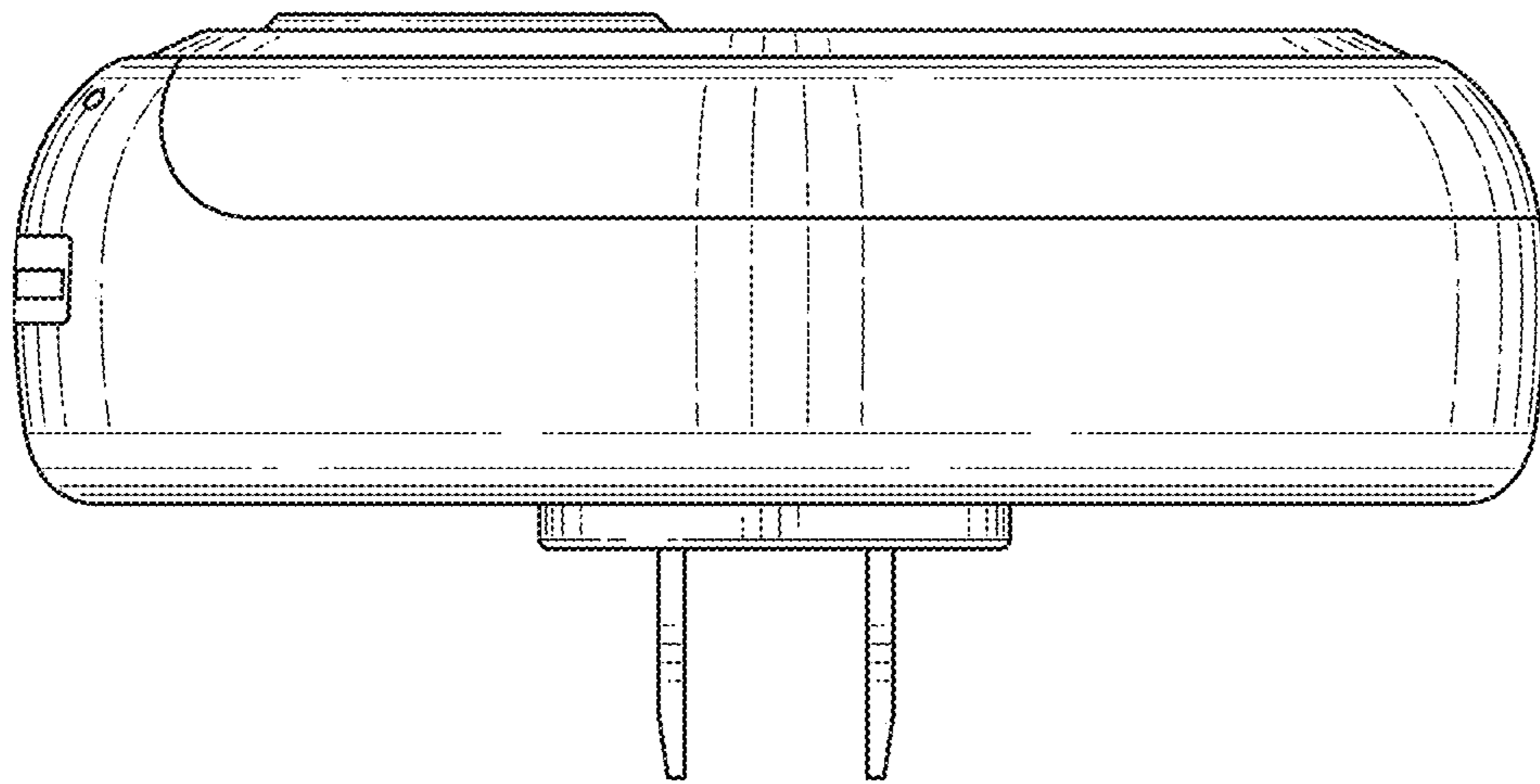


FIG. 8