



US00D955250S

(12) **United States Design Patent**  
**Gallagher et al.**

(10) **Patent No.:** **US D955,250 S**  
(45) **Date of Patent:** **\*\* Jun. 21, 2022**

- (54) **LEAK DETECTION APPARATUS**
- (71) Applicant: **Powerhouse Engine Solutions**  
**Switzerland IP Holding GmbH, Zug**  
(CH)
- (72) Inventors: **Shawn Gallagher**, Erie, PA (US); **Pisey**  
**Leute**, Waterford, PA (US); **Manuel**  
**Flores**, Erie, PA (US); **Jesse Brigden**,  
Westfield, NY (US)
- (73) Assignee: **Powerhouse Engine Solutions**  
**Switzerland IP Holding GmbH, Zug**  
(CH)
- (\*\*) Term: **15 Years**
- (21) Appl. No.: **29/740,816**
- (22) Filed: **Jul. 7, 2020**
- (51) **LOC (13) Cl.** ..... **10-05**
- (52) **U.S. Cl.**  
USPC ..... **D10/101; D10/96**
- (58) **Field of Classification Search**  
USPC ..... D10/75-82, 104.1, 56, 106.91, 106.9,  
D10/106.4, 67, 65, 61, 85, 86, 96-103;  
D8/382-386; D23/262-264  
CPC ... B23K 33/008; F01N 13/14; F01N 2470/06;  
B21C 37/151; Y10T 29/49398; F17D  
5/06; F16L 9/18; F16L 55/1022; F16L  
2201/30; F16L 23/032; G01M 3/18;  
G01M 3/00; G01F 23/02; G01F 1/05;  
G01F 1/22; G01F 1/26; G01F 1/28; G01F  
15/06; G01F 23/0015  
See application file for complete search history.

D726,288 S \* 4/2015 Sisk ..... D23/263  
D832,123 S \* 10/2018 Nakai ..... D10/96  
D834,976 S \* 12/2018 Cooper ..... D10/96  
(Continued)

**FOREIGN PATENT DOCUMENTS**

CN 305903128 \* 12/2019  
CN 305967116 \* 4/2020  
(Continued)

**OTHER PUBLICATIONS**

Dorman Store,Evaporative Emissions System Leak Detection Pump,  
Date first available Nov. 1, 2010, [online]retrieved Oct. 7, 2021,avail-  
able from [https://www.amazon.com/Dorman-310-207-Fuel-Vapor-Detection/dp/B000TYQ92A/ref=sr\\_1\\_8?crid=3MVQ85IJCTRTP&dchild=1&keywords=leak+detection+pump&qid=1633635852&s](https://www.amazon.com/Dorman-310-207-Fuel-Vapor-Detection/dp/B000TYQ92A/ref=sr_1_8?crid=3MVQ85IJCTRTP&dchild=1&keywords=leak+detection+pump&qid=1633635852&s) (Year: 2010).  
(Continued)

*Primary Examiner* — Keli L Hill  
*Assistant Examiner* — Sara S Sahneh  
(74) *Attorney, Agent, or Firm* — McCoy Russell LLP

(57) **CLAIM**

The ornamental design for a leak detection apparatus, as shown and described.

**DESCRIPTION**

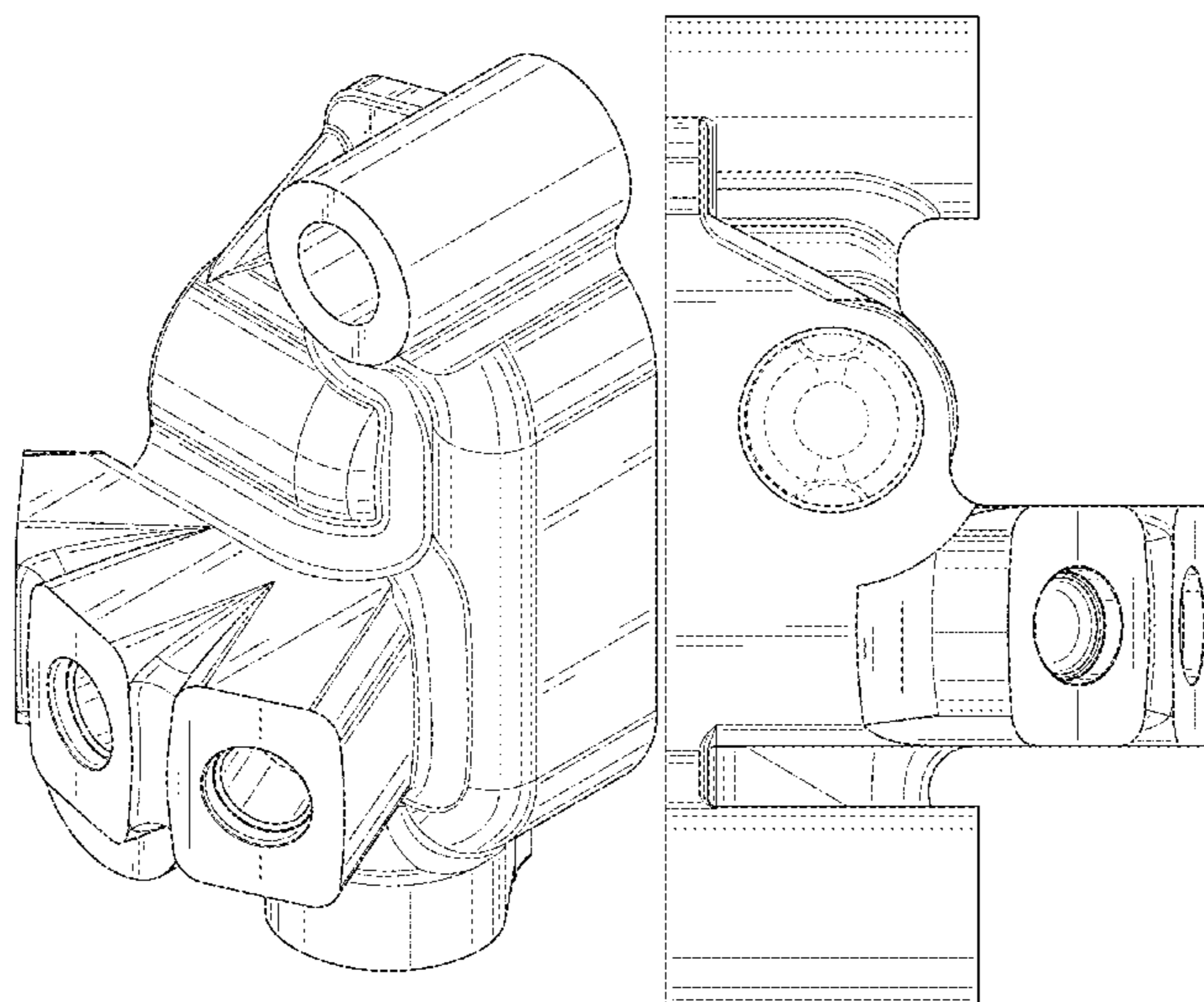
FIG. 1 is a front-top-right perspective view of a leak detection apparatus according to the present invention. FIG. 2 is a front view of the leak detection apparatus. FIG. 3 is a rear view of the leak detection apparatus. FIG. 4 is a left side view of the leak detection apparatus. FIG. 5 is a right side view of the leak detection apparatus. FIG. 6 is a top view of the leak detection apparatus; and, FIG. 7 is a bottom view of the leak detection apparatus. The broken lines in FIGS. 1, 2, 4, and 7 illustrate portions of the leak detection apparatus that form no part of the claimed design.

**1 Claim, 7 Drawing Sheets**

(56) **References Cited**

**U.S. PATENT DOCUMENTS**

D337,959 S \* 8/1993 Lawhon ..... D10/103  
D608,231 S \* 1/2010 Fauveau ..... D10/101  
D710,226 S \* 8/2014 Furey ..... D10/96



(56)

**References Cited**

U.S. PATENT DOCUMENTS

D845,805 S \* 4/2019 Williams ..... D10/96  
D867,913 S \* 11/2019 Hietala ..... D10/96  
D885,170 S \* 5/2020 McMullin ..... D8/382  
D902,253 S \* 11/2020 Now ..... D15/5  
2001/0037836 A1 \* 11/2001 Yoshitoshi ..... B21C 37/151  
138/115  
2020/0191679 A1 \* 6/2020 Wang ..... G01M 3/00  
2020/0200329 A1 \* 6/2020 Valentin de Oliveira .....  
F17D 5/06

FOREIGN PATENT DOCUMENTS

EM 008400568-0001 \* 7/2020  
EM 008338016-0001 \* 12/2020  
EM 008355861-0001 \* 12/2020  
KR 300747213.0000 \* 6/2014  
KR 301058239.0000 \* 8/2019

OTHER PUBLICATIONS

Aqua Cure, Leak Arresting Device 1/4" PF , [online]retrieved Oct. 7,  
2021,available from <https://www.aquacure.co.uk/water-leak-detection-equipment/leak-detection-device-14-pf-Id1> (Year: 2021).\*

\* cited by examiner

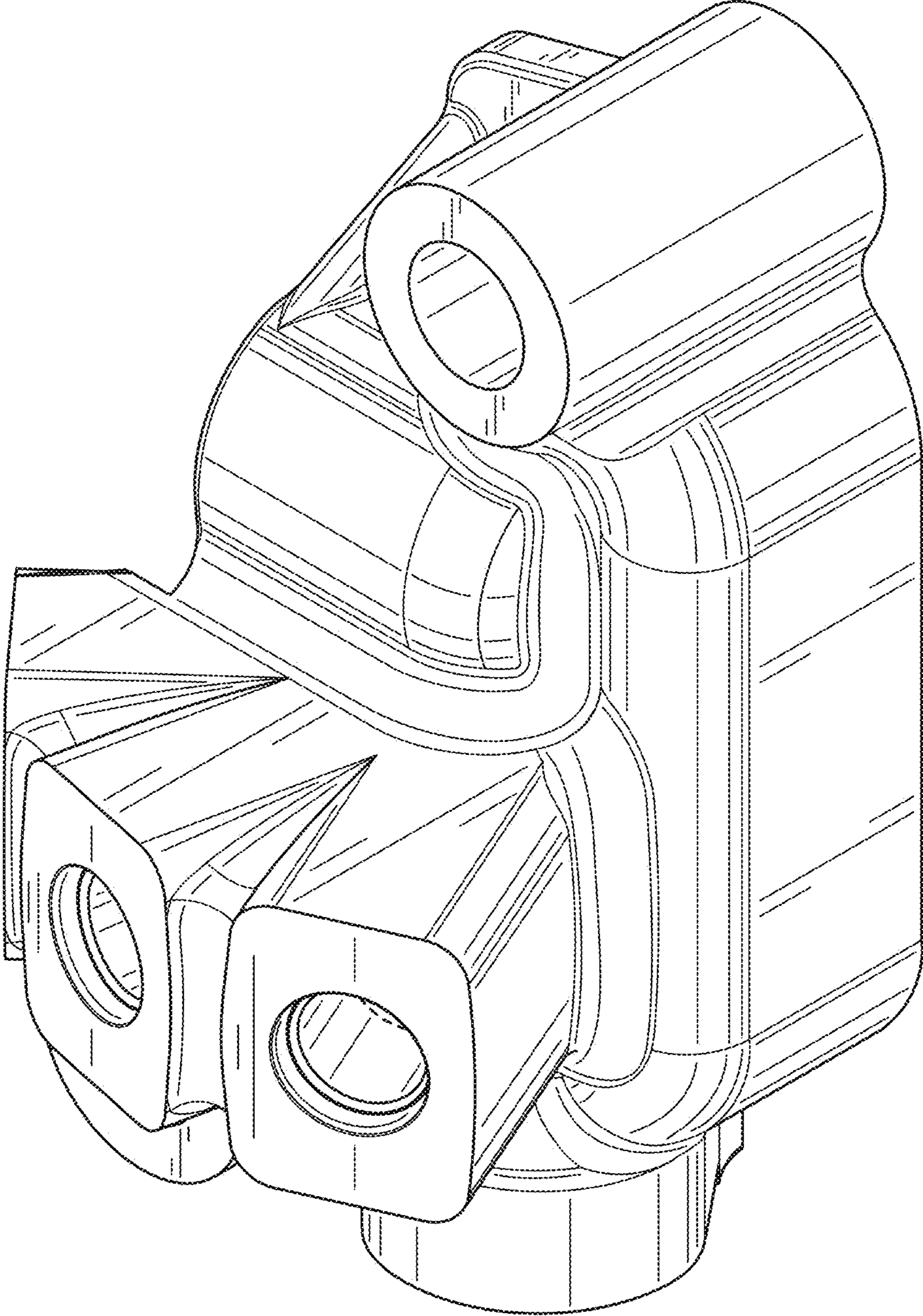


FIG. 1

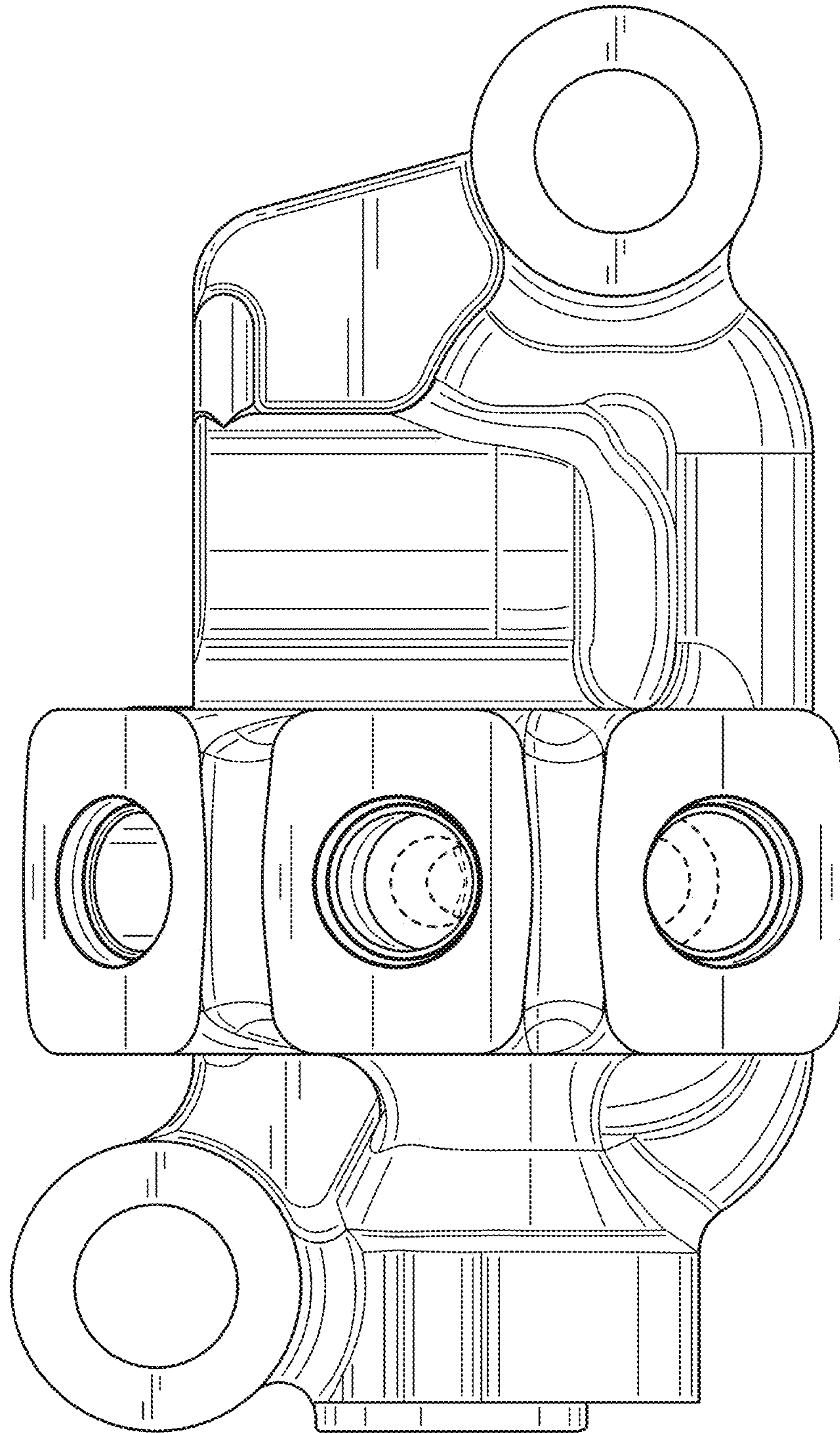


FIG. 2

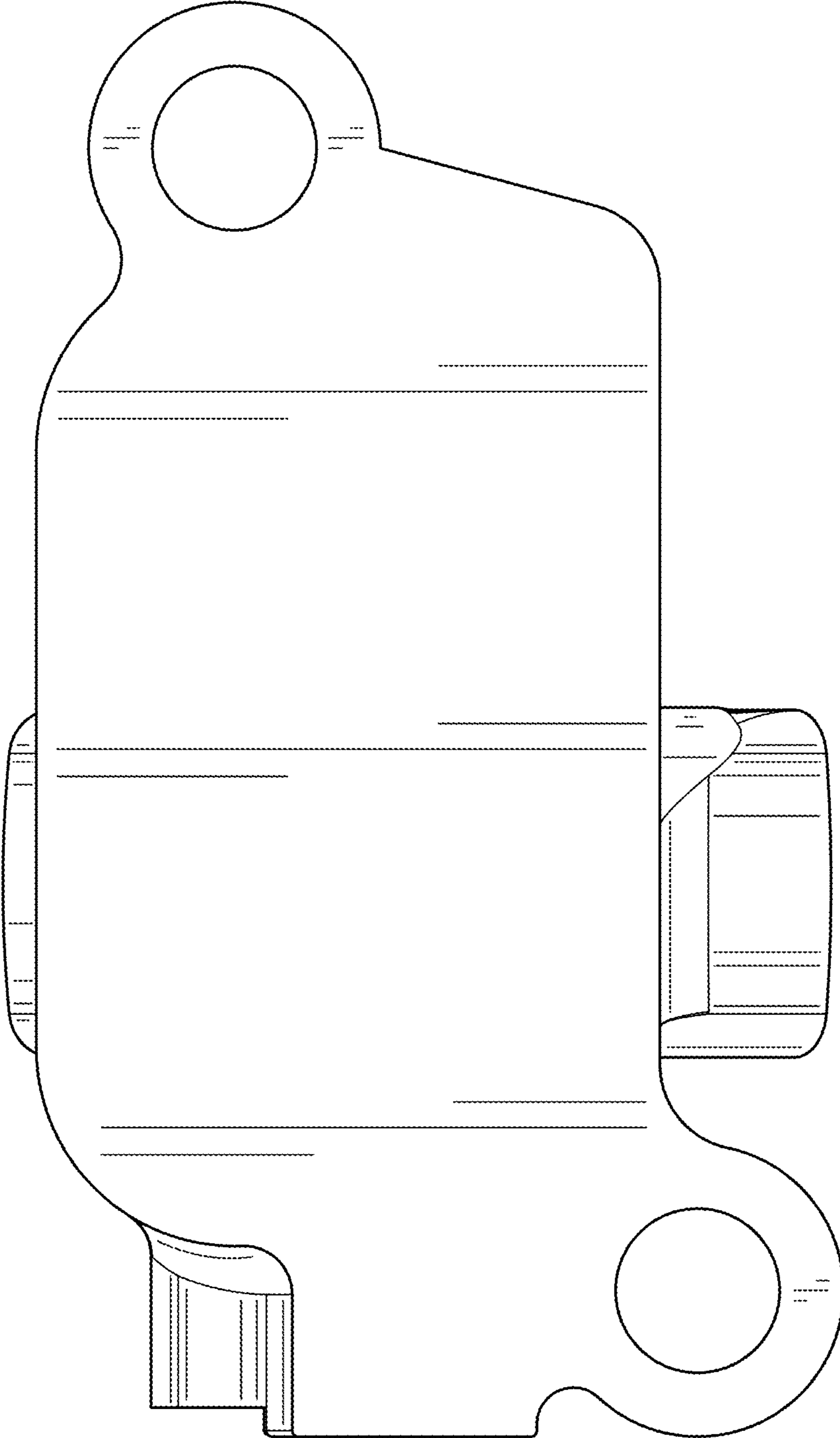


FIG. 3

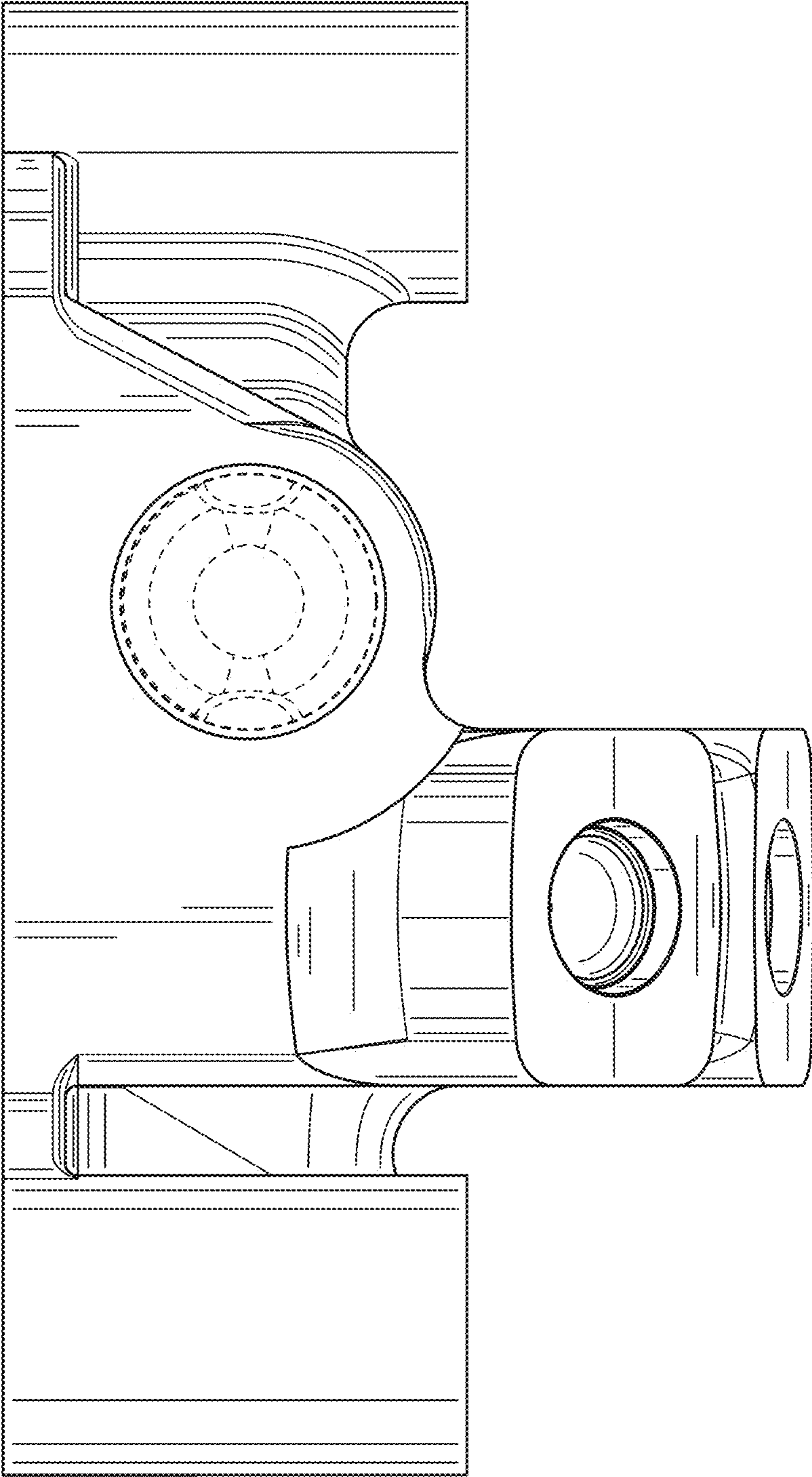


FIG. 4

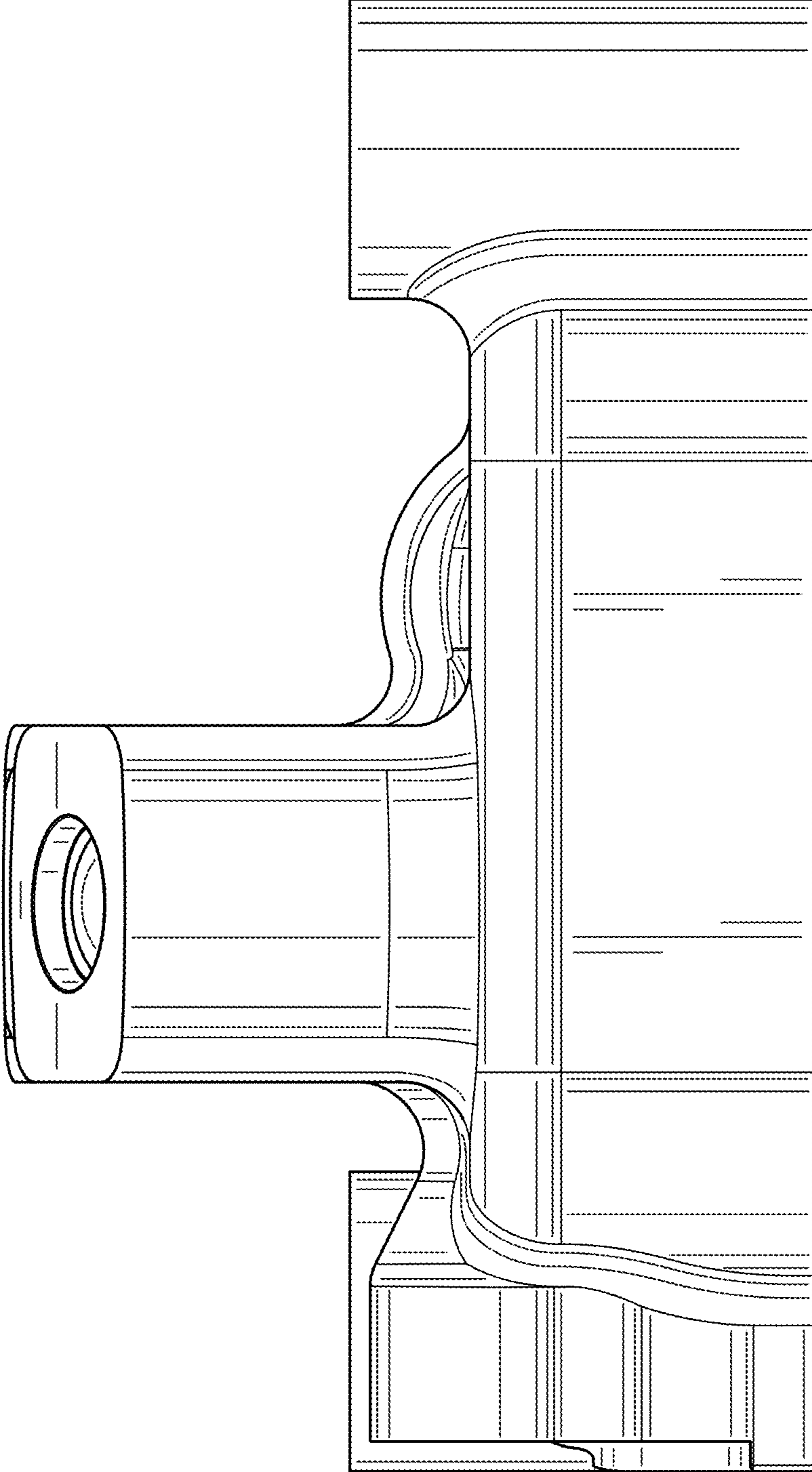


FIG. 5

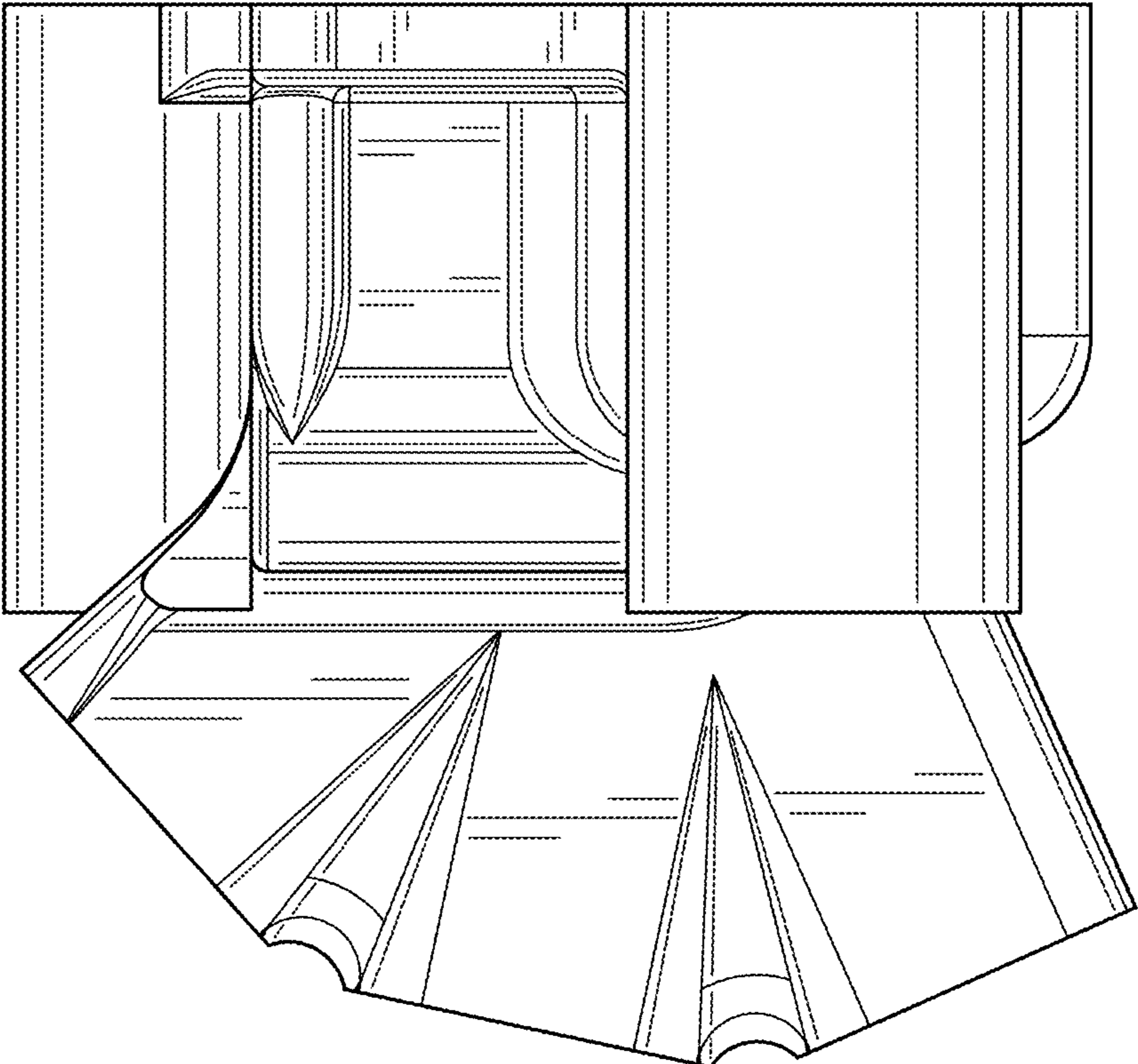


FIG. 6



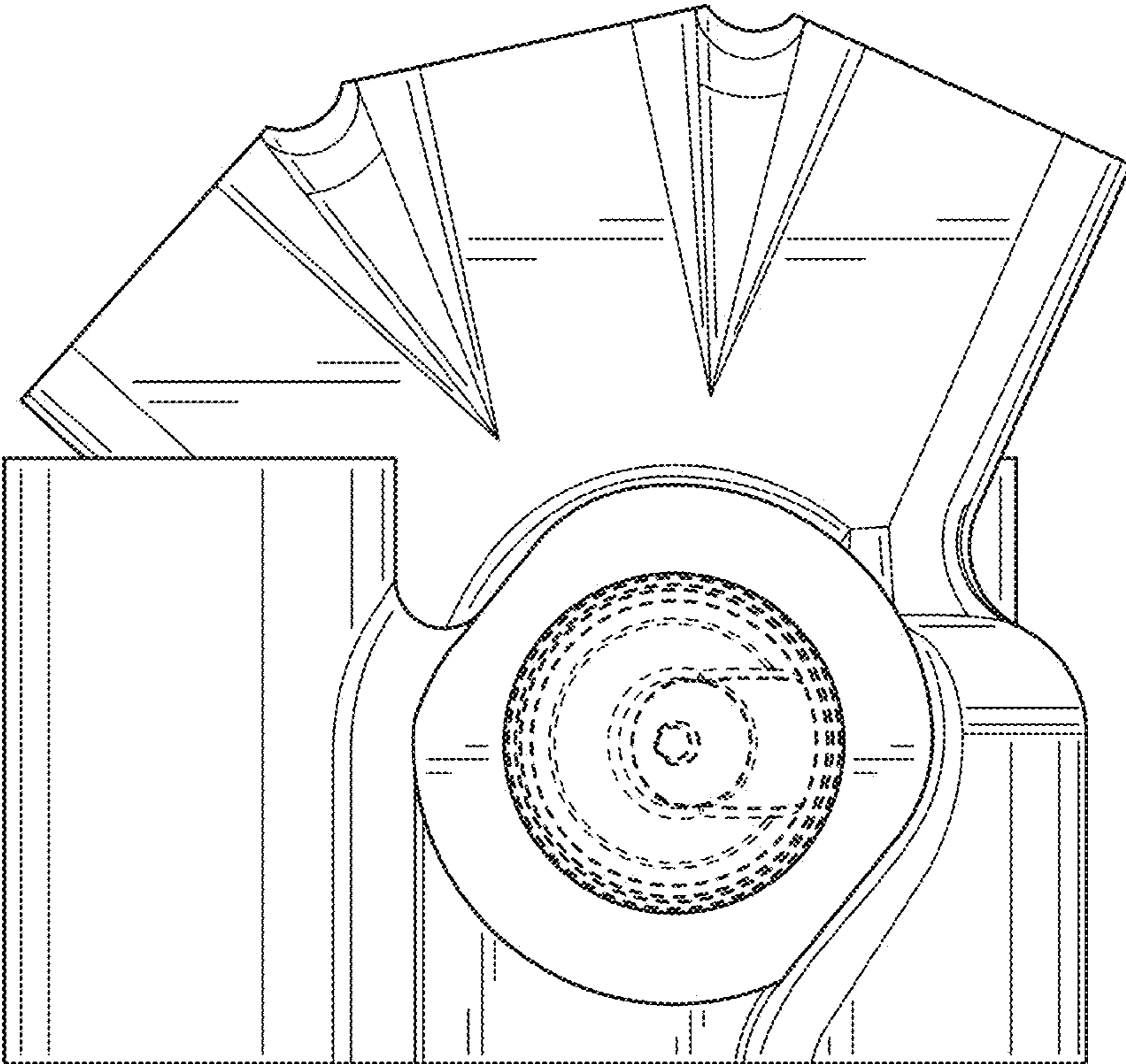


FIG. 7