



US00D955248S

(12) **United States Design Patent**
Kimberley et al.

(10) **Patent No.:** **US D955,248 S**
(45) **Date of Patent:** **** Jun. 21, 2022**

(54) **PLUG FOR TESTING BUILDING PIPEWORK**

(71) Applicants: **Bruce Kimberley**, Berowra (AU); **Ian Kimberley**, Hornsby (AU)

(72) Inventors: **Bruce Kimberley**, Berowra (AU); **Ian Kimberley**, Hornsby (AU)

(**) Term: **15 Years**

(21) Appl. No.: **29/715,740**

(22) Filed: **Dec. 4, 2019**

(30) **Foreign Application Priority Data**

Jun. 14, 2019 (AU) 201913314

(51) **LOC (13) Cl.** **10-05**

(52) **U.S. Cl.**
USPC **D10/96**

(58) **Field of Classification Search**
USPC D10/96-103, 85; D23/259-261
CPC F16L 1/00; F16L 1/024; F16L 3/00; F16L 5/00; F16L 9/00; F16L 17/00; F16L 2101/30; F16L 2101/20; F16L 2101/10; F16L 41/082; F16L 55/00; F16L 55/11; F16L 55/1141; F16K 5/025; F16K 5/0257; Y10T 408/9048; Y10T 292/205; E03F 5/04; G01M 3/02

See application file for complete search history.

(56) **References Cited**

U.S. PATENT DOCUMENTS

| | | | | | |
|-----------|------|---------|--------------|-------|-------------------------|
| 4,122,592 | A * | 10/1978 | Ehret | | F16L 55/10 73/40.5 R |
| 6,055,931 | A * | 5/2000 | Sanford, Jr. | | A01J 5/044 119/14.47 |
| 6,267,001 | B1 * | 7/2001 | Duncan | | F16K 13/04 73/49.1 |
| 7,013,711 | B1 * | 3/2006 | Herbers | | G01M 3/2815 73/49.1 |
| 7,665,486 | B2 * | 2/2010 | Coscarella | | F16L 55/11 137/68.21 |
| D904,066 | S * | 12/2020 | Cittadino | | D15/138 |
| D941,440 | S * | 1/2022 | Lu | | D23/260 |

(Continued)

FOREIGN PATENT DOCUMENTS

| | | | |
|----|----------------|---|---------|
| CN | 302788228 | * | 8/2013 |
| CN | 306477224 | * | 11/2020 |
| KR | 300962450.0000 | * | 12/2017 |
| KR | 301027082.0000 | * | 10/2019 |

OTHER PUBLICATIONS

Oatey Store, Mechanical Test Plug, Date first available Jul. 25, 2007, [online]retrieved Feb. 2, 2022, available from https://www.amazon.com/Oatey-33402-Mechanical-Plastic-3-Inch/dp/B000H5WVQY/ref=sr_1_3?crd=1AYHBA4OFQY6T&keywords=Plug+test+for+pipe&qid=1643813173&sprefix=plug+test+for+pipe%2Caps%2C62&sr=8 (Year: 2007).*

(Continued)

Primary Examiner — Keli L Hill
Assistant Examiner — Sara S Sahneh
(74) *Attorney, Agent, or Firm* — Greenberg Traurig, LLP

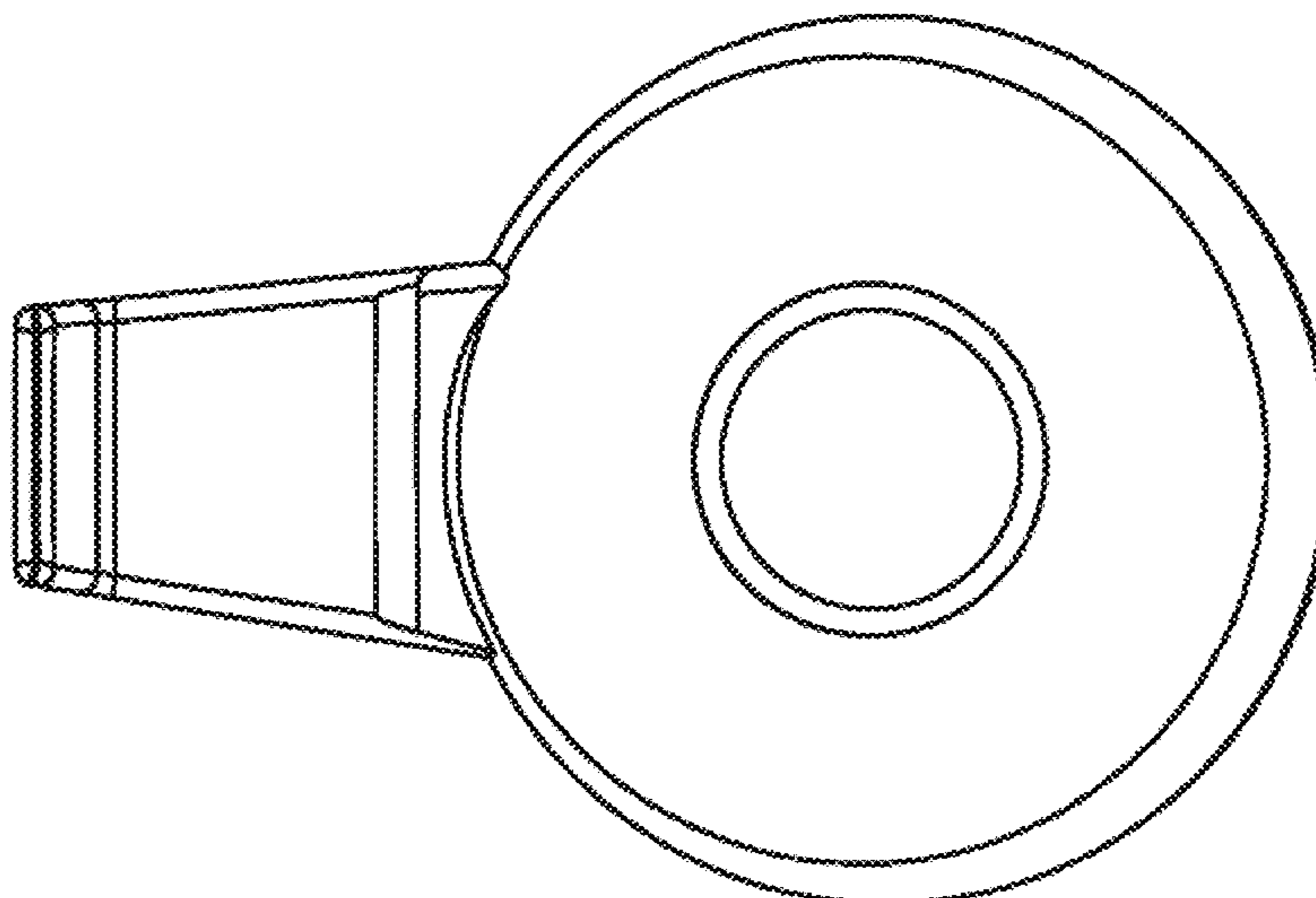
(57) **CLAIM**

We claim the ornamental design for a plug for testing building pipework, as shown and described.

DESCRIPTION

FIG. 1 is a top view of a plug for testing building pipework; FIG. 2 is a side view of the plug for testing building pipework shown in FIG. 1; FIG. 3 is a bottom view of the plug for testing building pipework shown in FIG. 1; FIG. 4 is a front view of the plug for testing building pipework shown in FIG. 1; FIG. 5 is a rear view of the plug for testing building pipework shown in FIG. 1; FIG. 6 is a front perspective view of the plug for testing building pipework shown in FIG. 1; and, FIG. 7 is a rear perspective view of the plug for testing building pipework shown in FIG. 1.

1 Claim, 2 Drawing Sheets



(56)

References Cited

U.S. PATENT DOCUMENTS

2004/0055364 A1* 3/2004 Brewer G01M 3/022
73/49.1
2011/0011865 A1* 1/2011 Cook F01M 11/0004
220/288
2015/0240983 A1* 8/2015 Champlone F16L 55/1141
138/93
2017/0175372 A1* 6/2017 Huang E03D 1/306
2020/0207521 A1* 7/2020 Hu F16J 15/166
2021/0372397 A1* 12/2021 Wu F04B 53/1027

OTHER PUBLICATIONS

DANCO Store, PlugAll Mechanical Test, Date first available Sep. 6, 2017, [online]retrieved Feb. 2, 2022,available from [Cherne Store, 276348 3 in-4 in. Multi-Size Test-Ball Plug, Date first available Feb. 13, 2012, \[online\]retrieved Feb. 2, 2022,available from \[https://www.amazon.com/dp/B0078RED92/ref=sspa_dk_detail_2?pd_rd_i=B0078RED92&pd_rd_w=2IBwm&pf_rd_p=9fd3ea7c-b77c-42ac-b43b-c872\]\(https://www.amazon.com/dp/B0078RED92/ref=sspa_dk_detail_2?pd_rd_i=B0078RED92&pd_rd_w=2IBwm&pf_rd_p=9fd3ea7c-b77c-42ac-b43b-c872\) \(Year: 2012\).*](https://www.amazon.com/PlugAll-Mechanical-Cleanout-Clean-outs-10839/dp/B075FNTYCD/ref=sr_1_7?crid=1AYHBA4OFQY6T&keywords=Plug+test+for+pipe&qid=1643813173&srefix=plug+test+for+pipe%20(Year: 2017).*</p></div><div data-bbox=)

Cherne Industries, Pipe Plug,Date first available Nov. 28, 2020, [online]retrieved Feb. 2, 2022,available from https://www.amazon.com/Pipe-Plug-Mechanical-Size-5/dp/B08PC47SKC/ref=sr_1_1?crid=2AQUF770LVGKS&keywords=Mechanical+Pipe+Plug&qid=1643813034&srefix=mechanical+pipe+plug%20Caps%20C120&sr=8-1 (Year: 2020).*

* cited by examiner

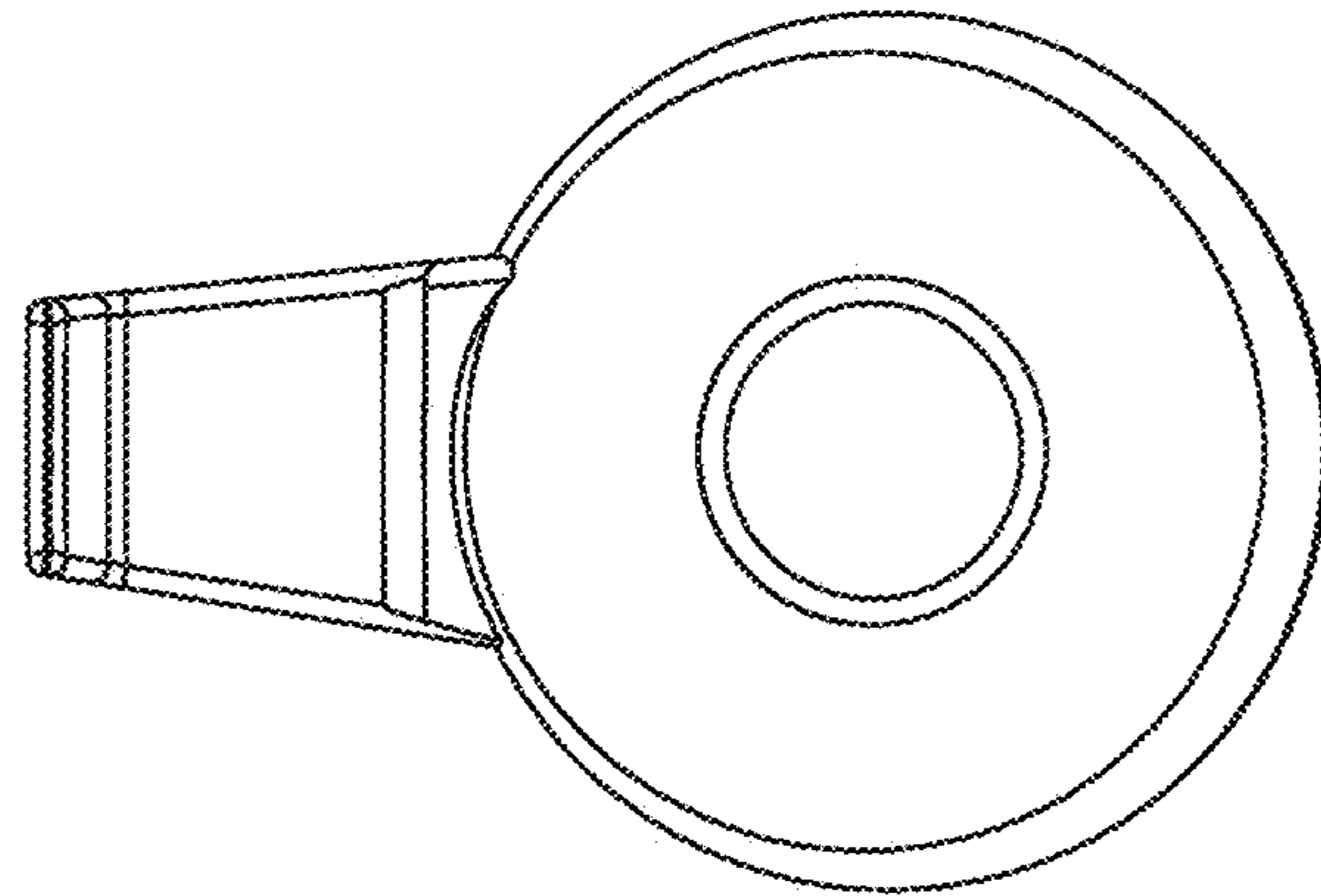


FIG. 1

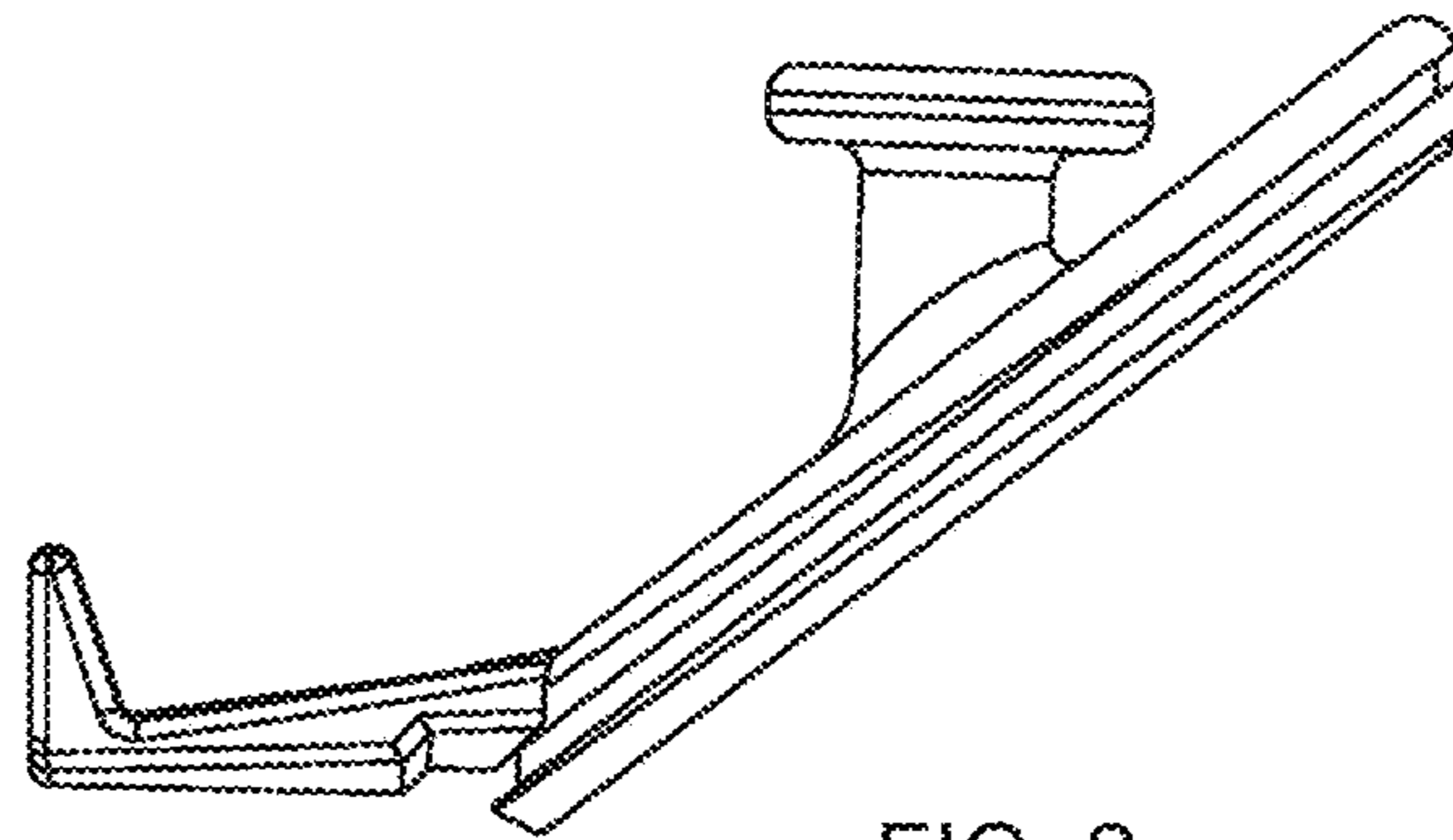


FIG. 2

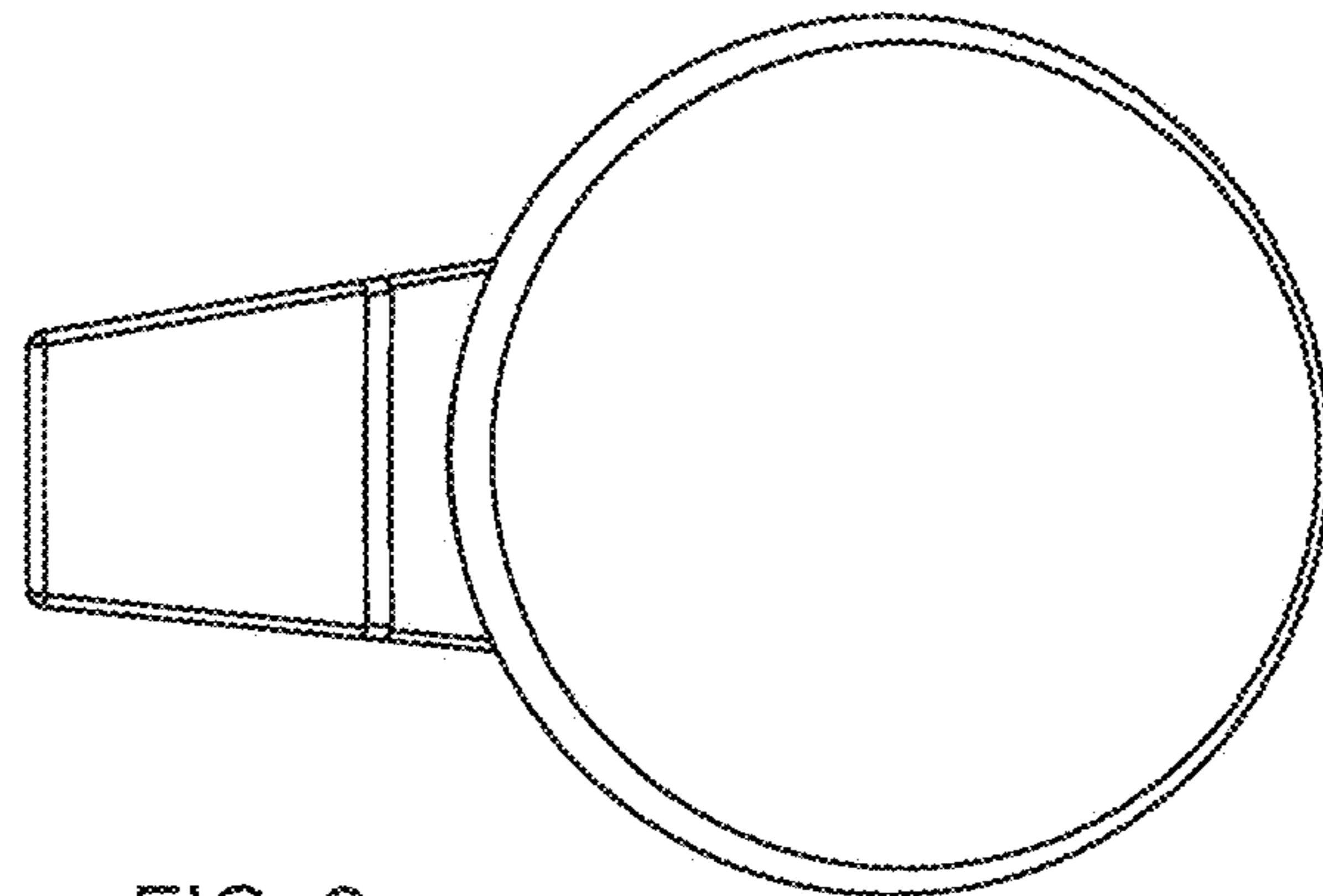


FIG. 3

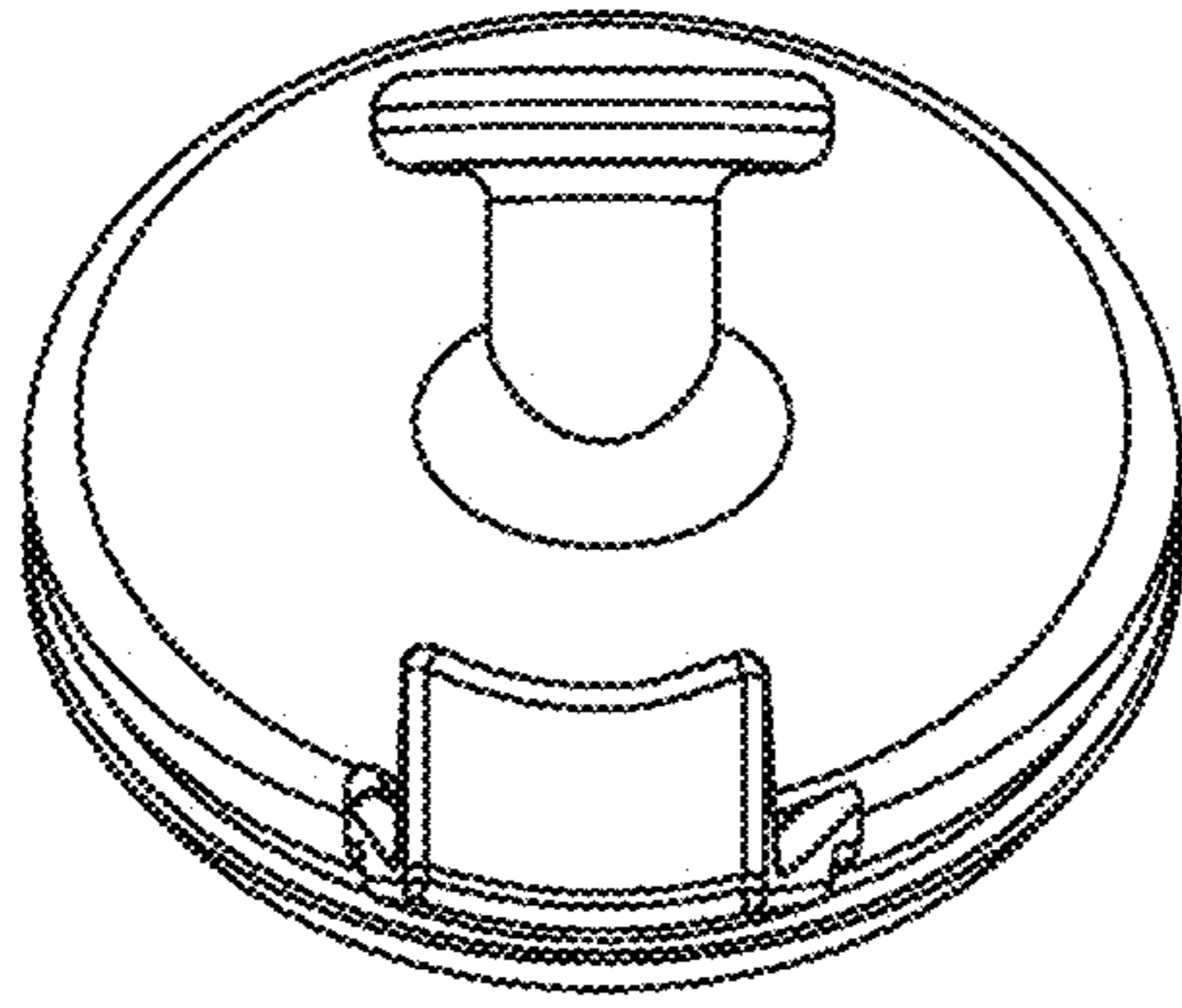


FIG. 4

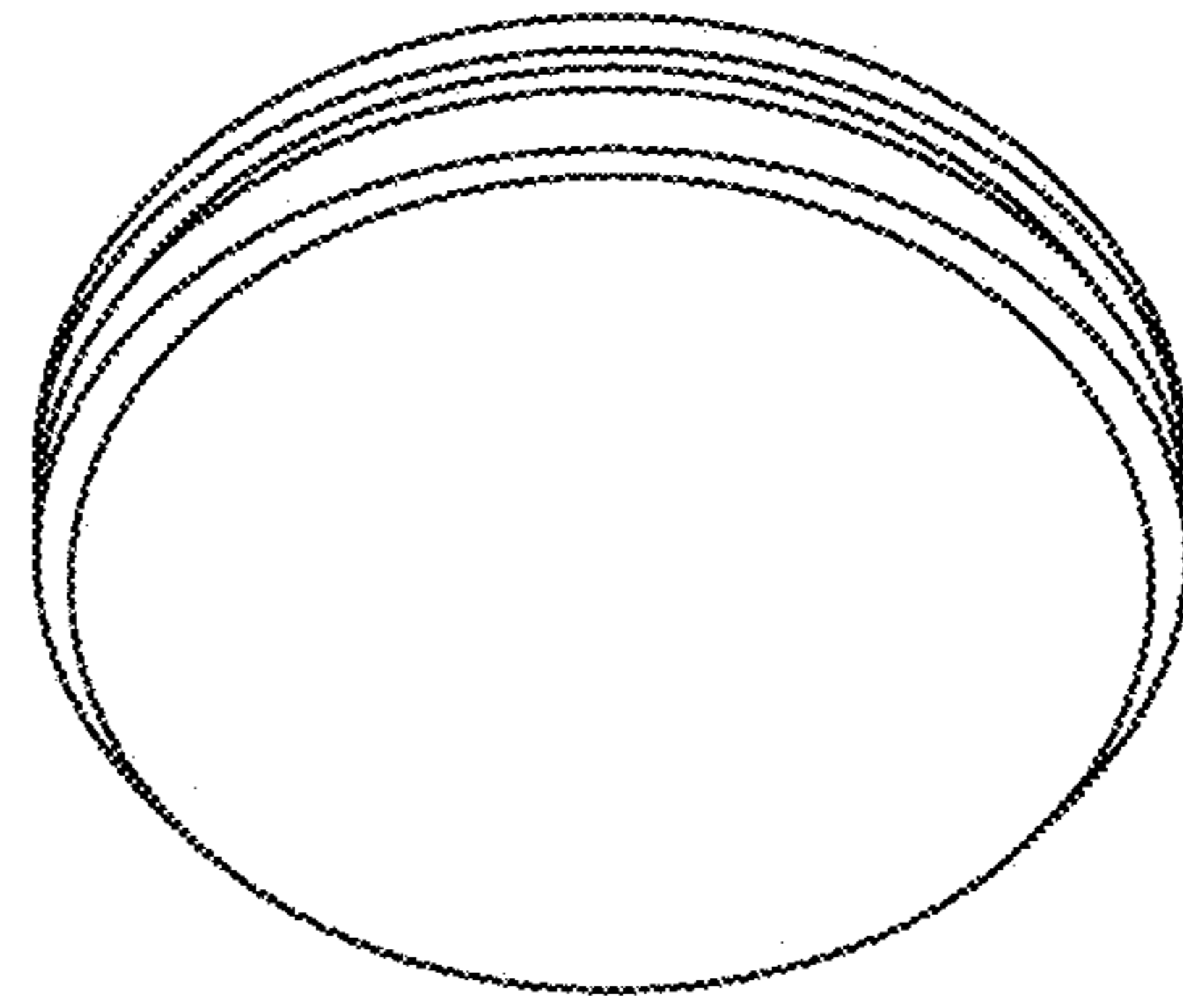


FIG. 5

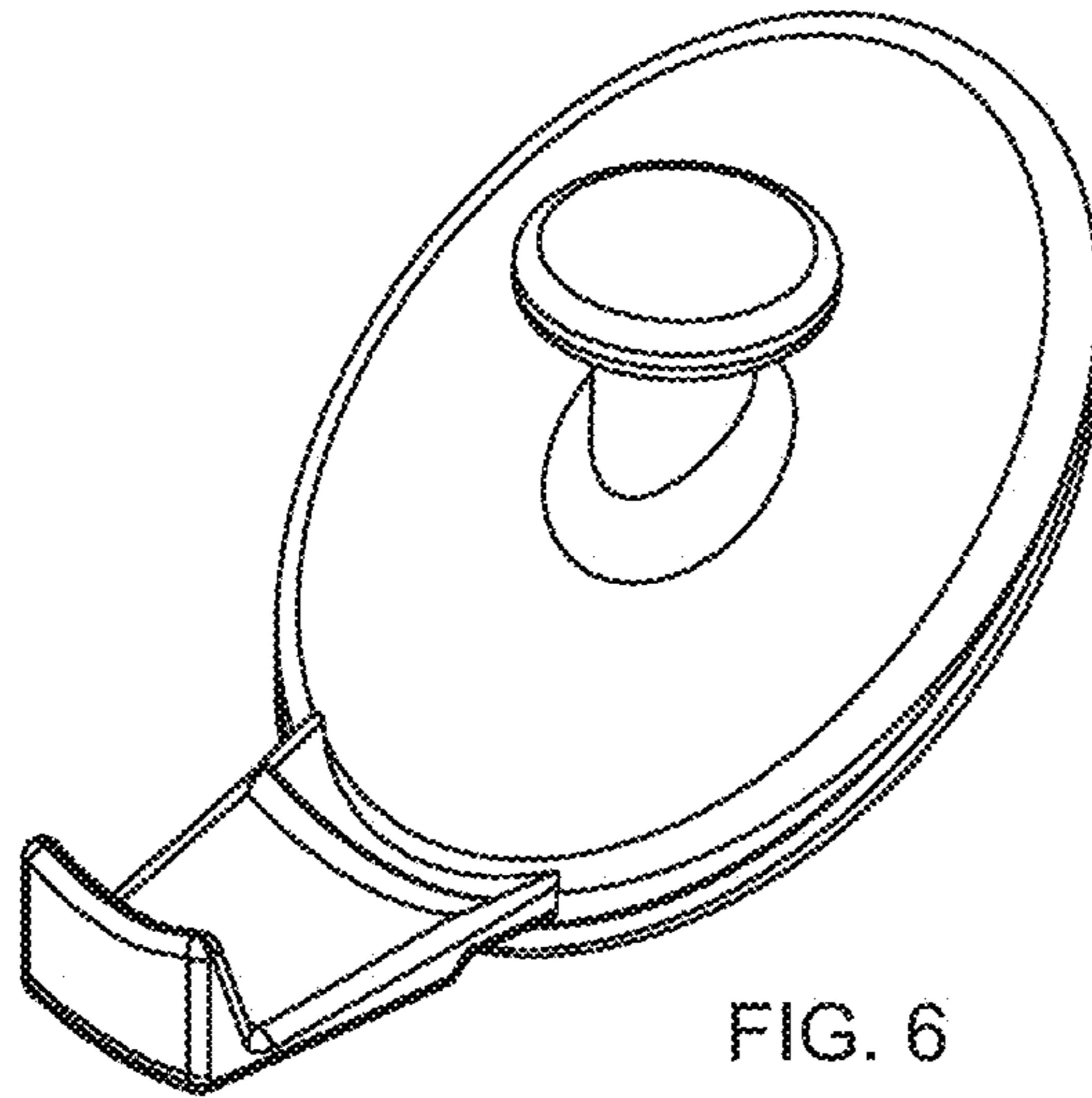


FIG. 6

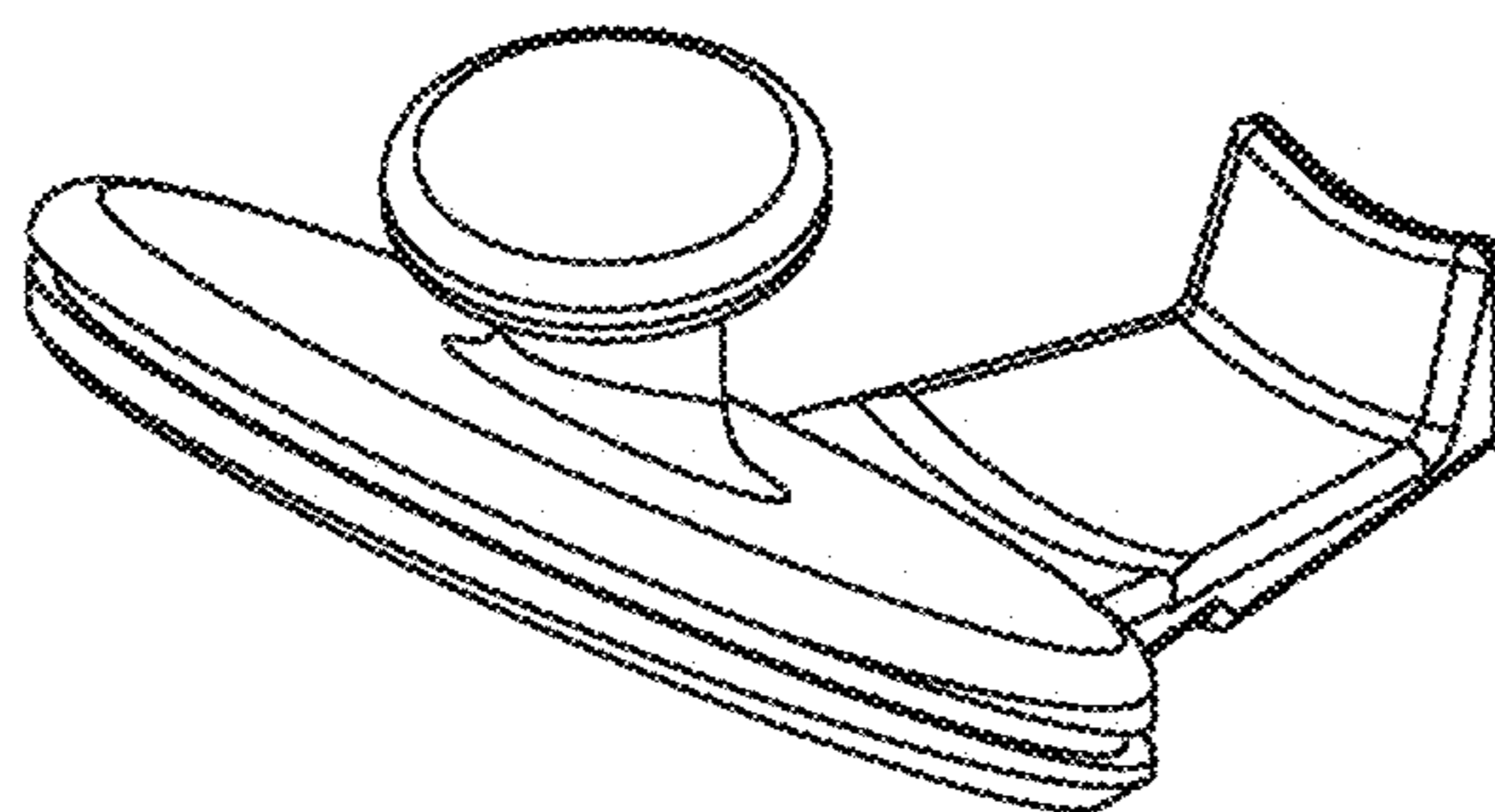


FIG. 7