



US00D955244S

(12) **United States Design Patent**
Simard et al.

(10) **Patent No.:** **US D955,244 S**
(45) **Date of Patent:** **** Jun. 21, 2022**

(54) **OPTICAL FIBER INSPECTION PROBE**

(71) Applicant: **EXFO Inc.**, Quebec (CA)
(72) Inventors: **Michael Simard**, Boischatel (CA);
Manuel Leveille, Montreal (CA);
Olivier Patry, Montreal (CA)

(73) Assignee: **EXFO INC.**

(**) Term: **15 Years**

(21) Appl. No.: **29/749,181**

(22) Filed: **Sep. 3, 2020**

(51) **LOC (13) Cl.** **10-04**

(52) **U.S. Cl.**
USPC **D10/78**

(58) **Field of Classification Search**

USPC D8/61; D10/78
CPC G01N 21/01; G01N 2021/0106; G01N
2021/0112; G01N 2021/0118; G01N
2021/015; G01N 2021/0156; G01N
2021/1795; G01N 2021/1797; G02B
7/008; G02B 23/2453; G02B 23/2476;
G02B 23/2486; H04N 2005/2255; H04N
5/2256; H04N 5/23241; H04N 5/2354;
H04N 5/2252; H02J 7/0047; H02J
2007/0049; H02J 2007/005

See application file for complete search history.

(56) **References Cited**

U.S. PATENT DOCUMENTS

D713,751 S * 9/2014 Nadeau D10/78
D751,434 S * 3/2016 Nadeau D10/78

OTHER PUBLICATIONS

FI-3000 / FI2-7300 FiberInspectorTM Ultra Camera Datasheet from
Fluke Networks, Mar. 2020.
FiberCheck Sidewinder Datasheet from Viavi Solutions, as per Jul.
2020.

* cited by examiner

Primary Examiner — Antoine Duval Davis

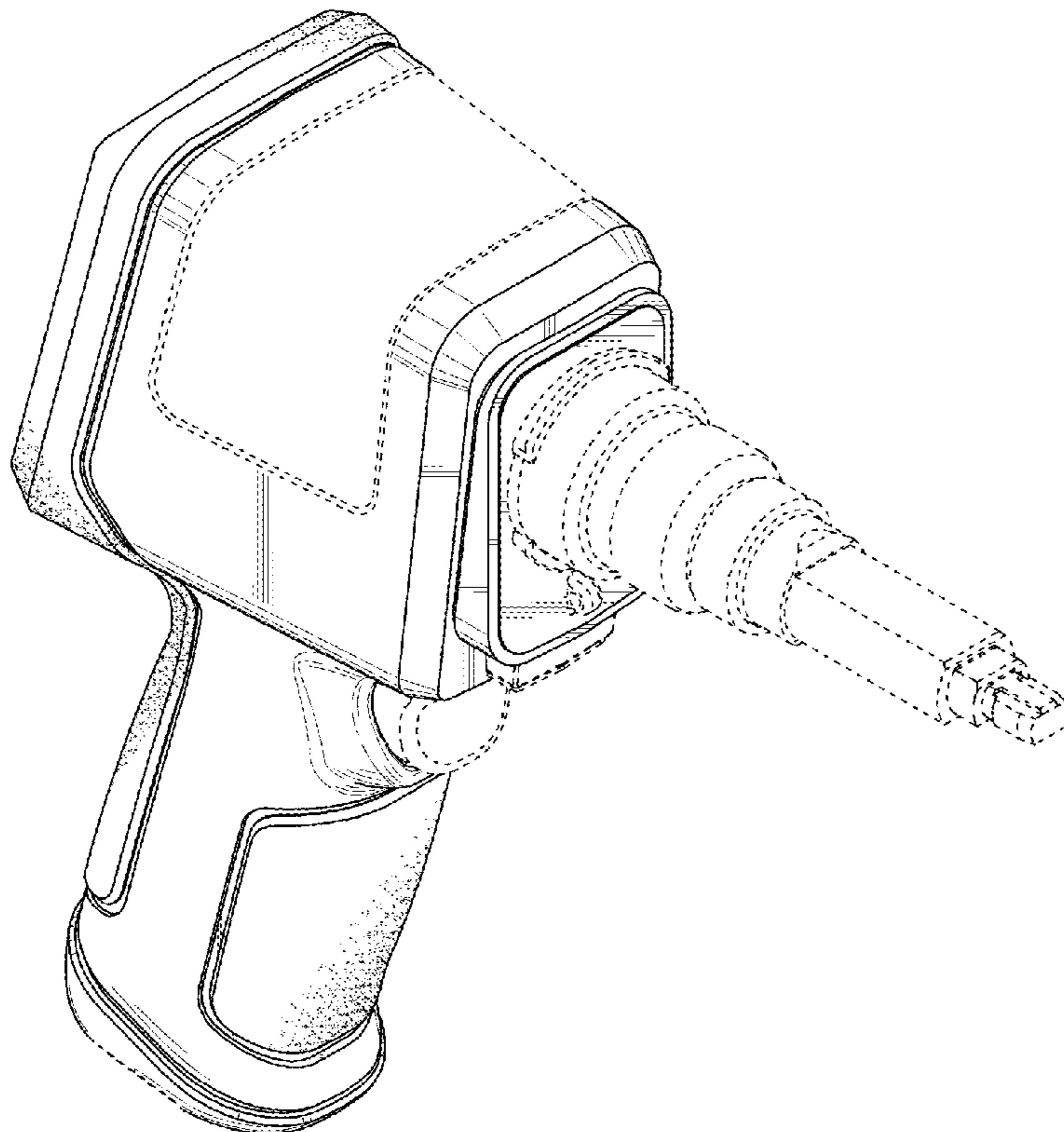
(57) **CLAIM**

The ornamental design for an optical fiber inspection probe,
as shown and described.

DESCRIPTION

FIG. 1 is a perspective view of an optical fiber inspection
probe showing the new design;
FIG. 2 is a right-side elevation view thereof;
FIG. 3 is a left-side elevation view thereof;
FIG. 4 is a rear elevation view thereof;
FIG. 5 is a front elevation view thereof;
FIG. 6 is a top plan view thereof; and,
FIG. 7 is a bottom plan view thereof.
The portions shown in broken lines depict environmental
structure only and do not form part of the claimed design.

1 Claim, 7 Drawing Sheets



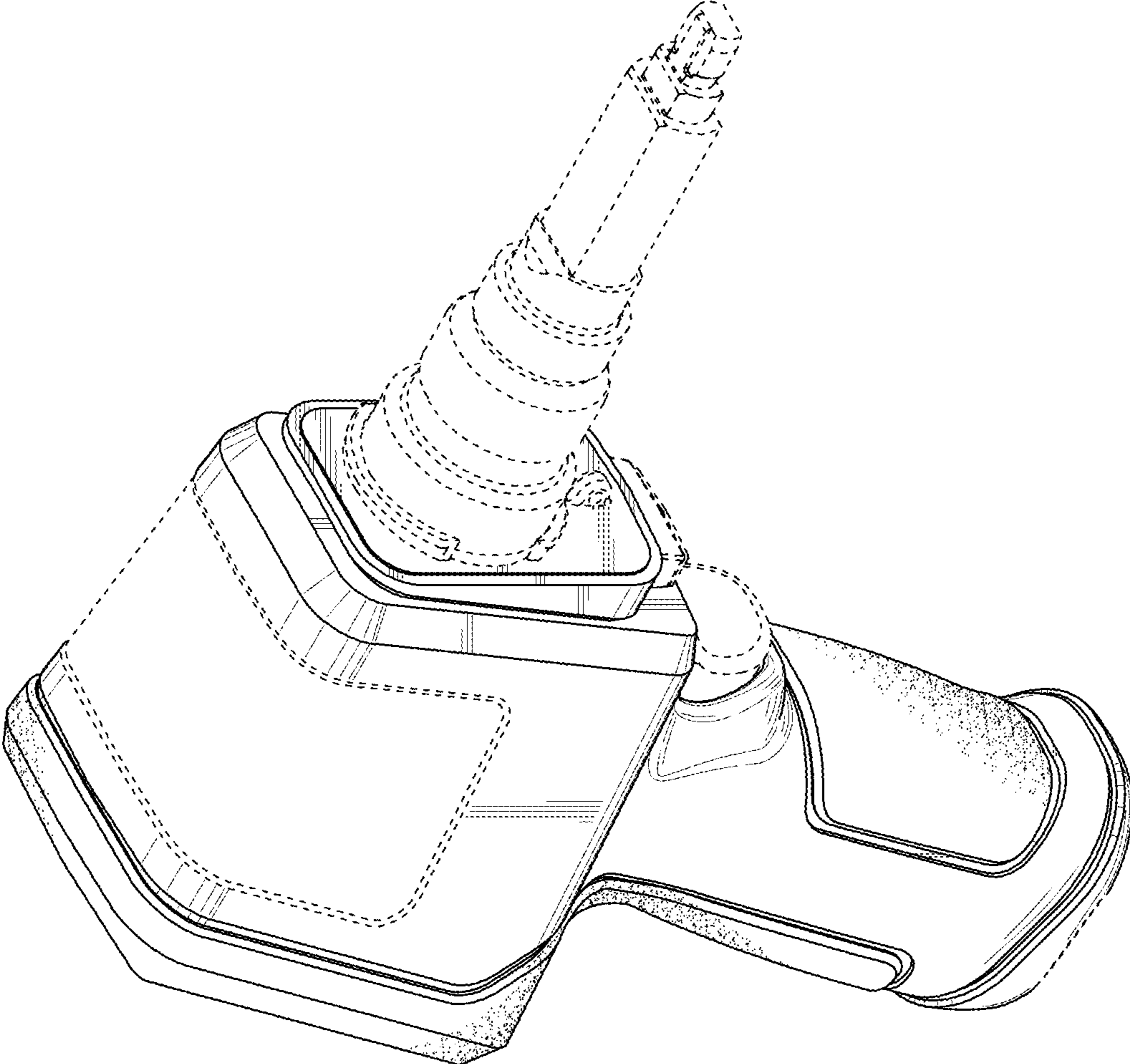


FIG. 1

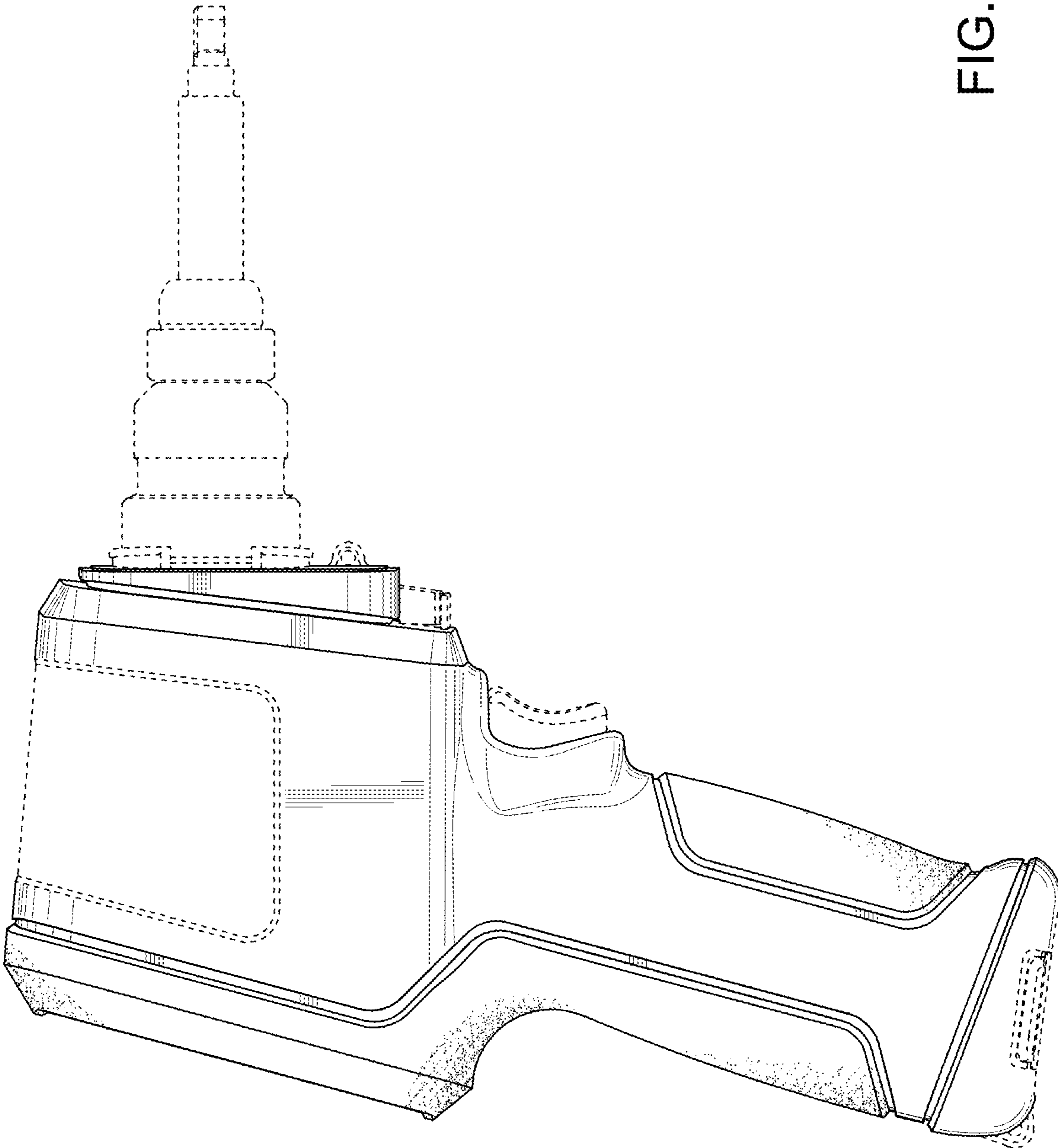


FIG. 2

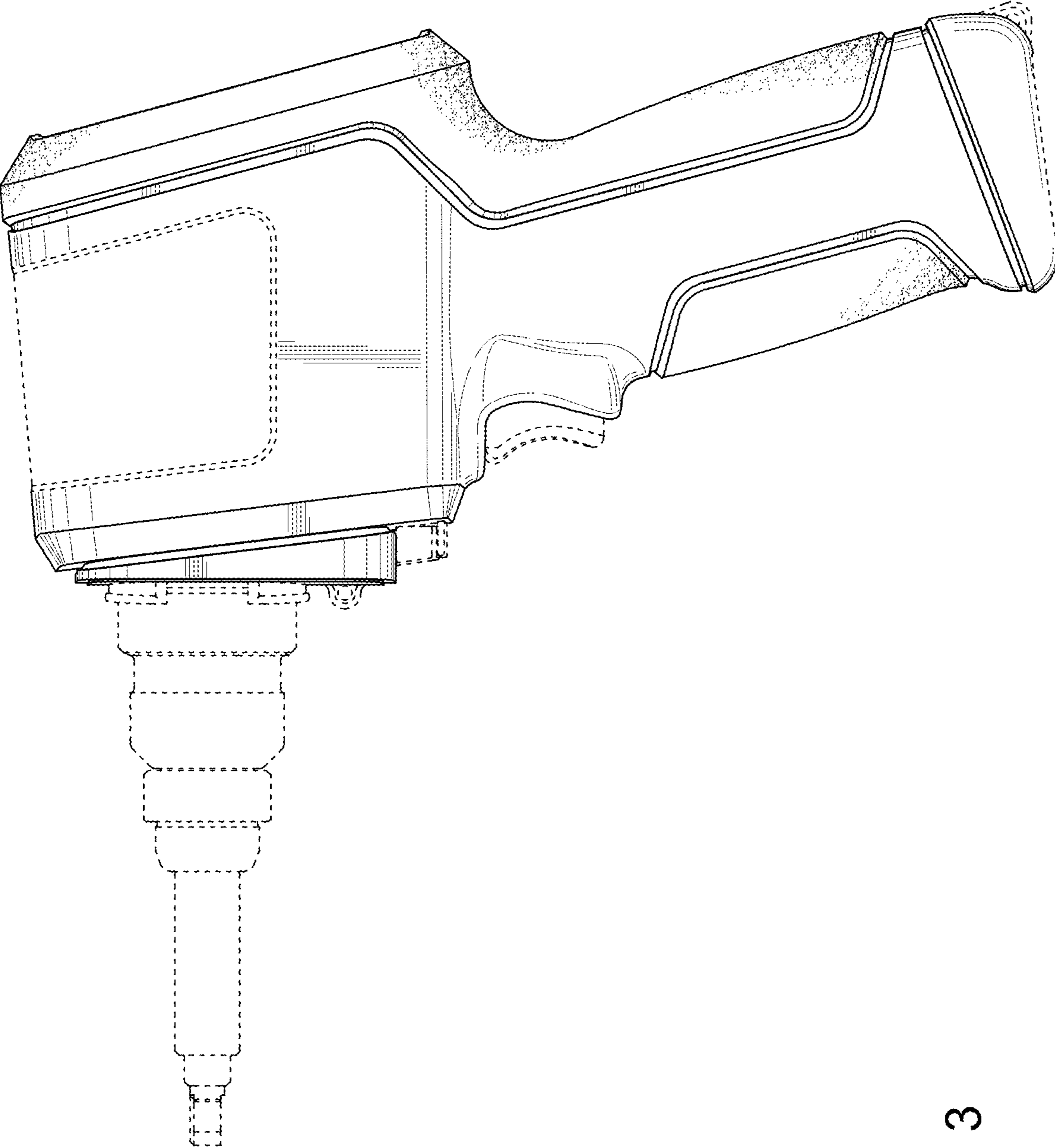


FIG. 3

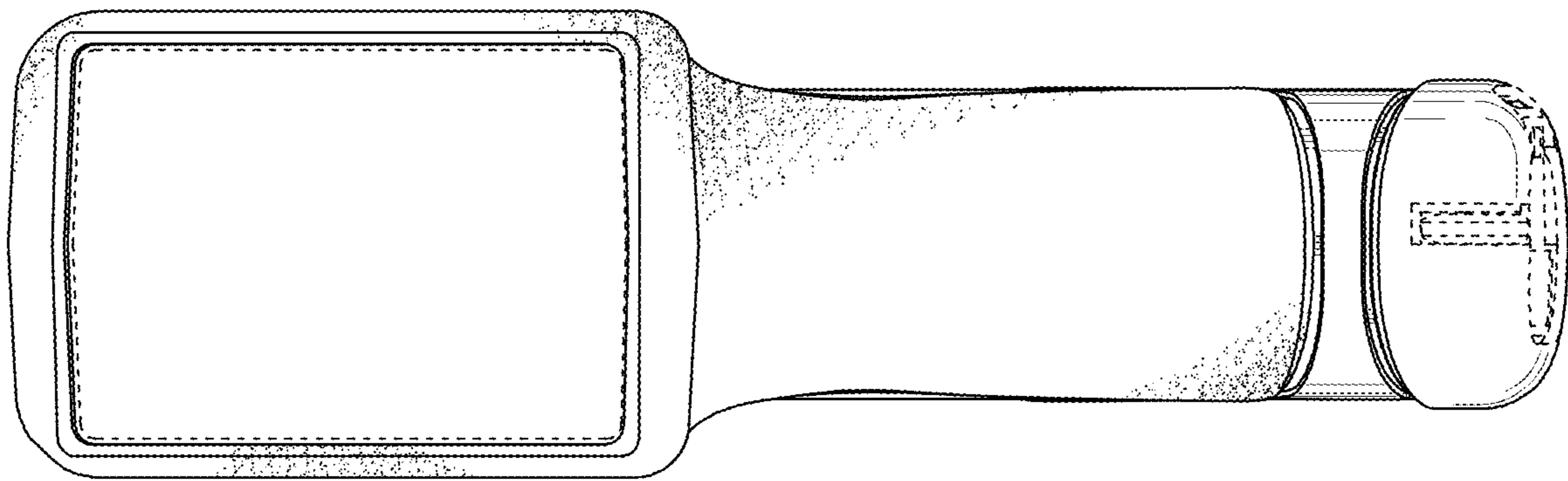


FIG. 4

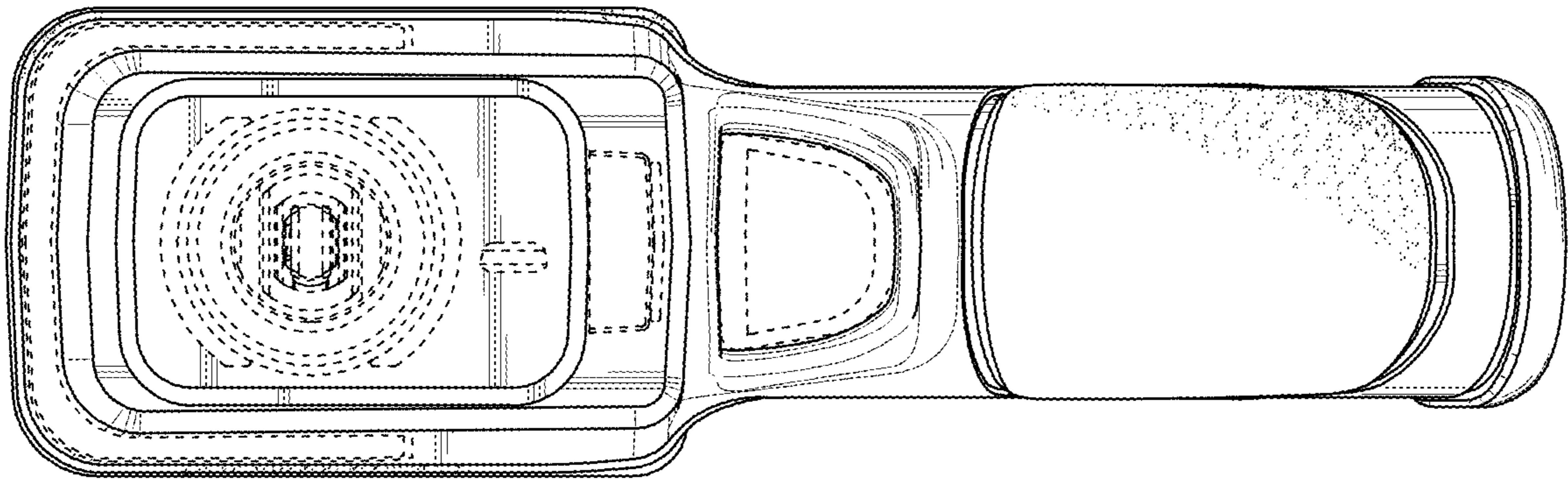


FIG. 5

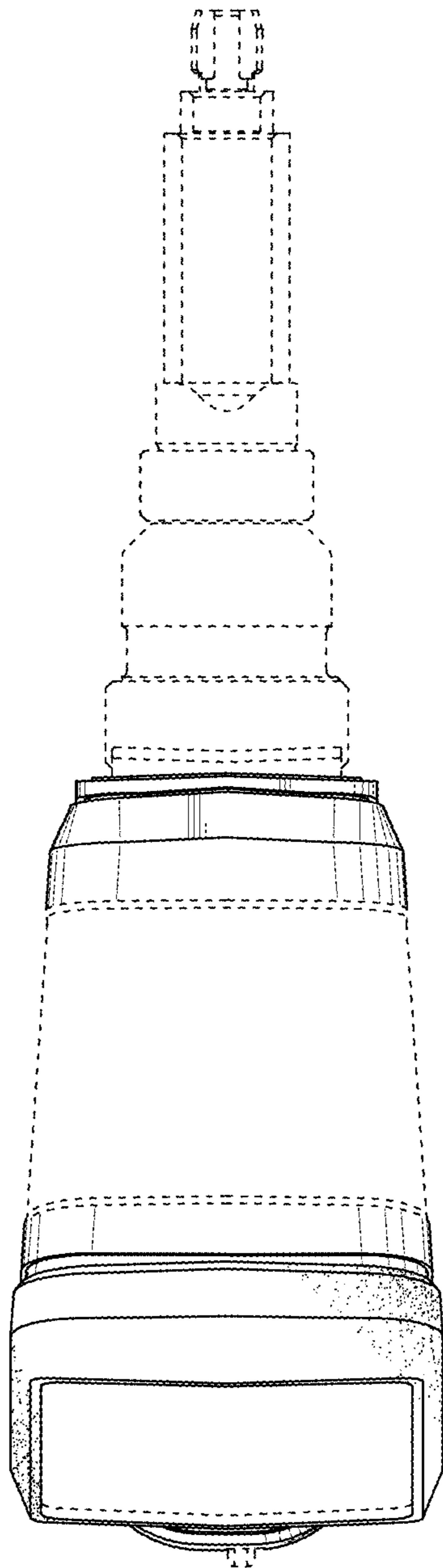


FIG. 6

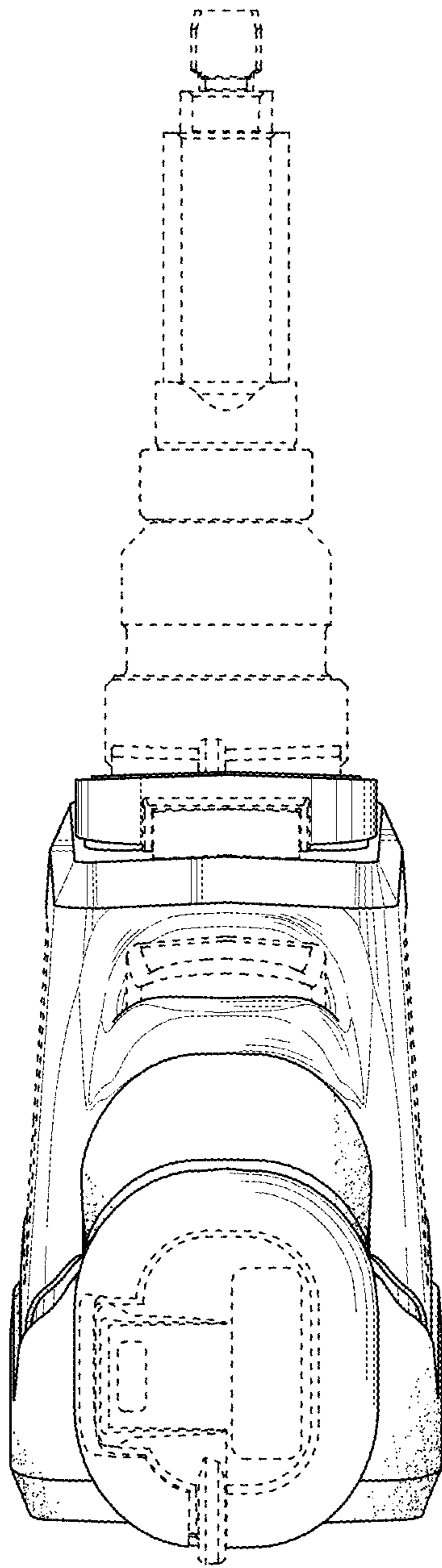


FIG. 7