



US00D955243S

(12) **United States Design Patent** (10) **Patent No.:** **US D955,243 S**
Lee (45) **Date of Patent:** **** Jun. 21, 2022**

(54) **COVER FOR TRACKING DEVICE OR THE LIKE**

(71) Applicant: **ELAGO CO. LTD**, Goyang-si (KR)

(72) Inventor: **Chanwoo Lee**, Goyang-si (KR)

(73) Assignee: **elago CO. LTD**, Goyang-si (KR)

(**) Term: **15 Years**

(21) Appl. No.: **29/795,063**

(22) Filed: **Jun. 16, 2021**

(51) **LOC (13) Cl.** **10-04**

(52) **U.S. Cl.**
USPC **D10/70**

(58) **Field of Classification Search**
USPC D10/74, 65, 60; D14/344, 314, 496, 384;
D3/269
CPC A45F 2200/0508
See application file for complete search history.

(56) **References Cited**

U.S. PATENT DOCUMENTS

5,375,749	A *	12/1994	Oliva	A45F 5/02 24/3.9
D516,579	S *	3/2006	Nakamura	D14/496
7,050,841	B1	5/2006	Onda		
D530,698	S *	10/2006	Lee	D14/138 G
D559,860	S *	1/2008	Andre	D14/496
D569,389	S	5/2008	Andre et al.		
D588,610	S *	3/2009	Andre	D14/496
D589,530	S *	3/2009	Andre	D14/496
D601,172	S *	9/2009	Andre	D14/496
D616,899	S *	6/2010	Andre	D14/496
D627,367	S *	11/2010	Andre	D14/496

(Continued)

FOREIGN PATENT DOCUMENTS

CN	302266672	1/2013
CN	303464890	11/2015
CN	306377144	3/2021

OTHER PUBLICATIONS

Elago Shuffle Case Compatible with Apple AirTags Case, Amazon, date first available Oct. 15, 2021, (online) URL: https://www.amazon.com/elago-Shuffle-Compatible-Apple-AirTags/dp/B09BHZXC9/ref=sr_1_7?keywords=ipod%2Bshuffle%2Bcase&qid=1650559796&sr=8-7&th=1 (Year: 2021).*

(Continued)

Primary Examiner — George D. Kirschbaum

Assistant Examiner — Antoinette Martine Suiter

(74) *Attorney, Agent, or Firm* — Paratus Law Group, PLLC

(57) **CLAIM**

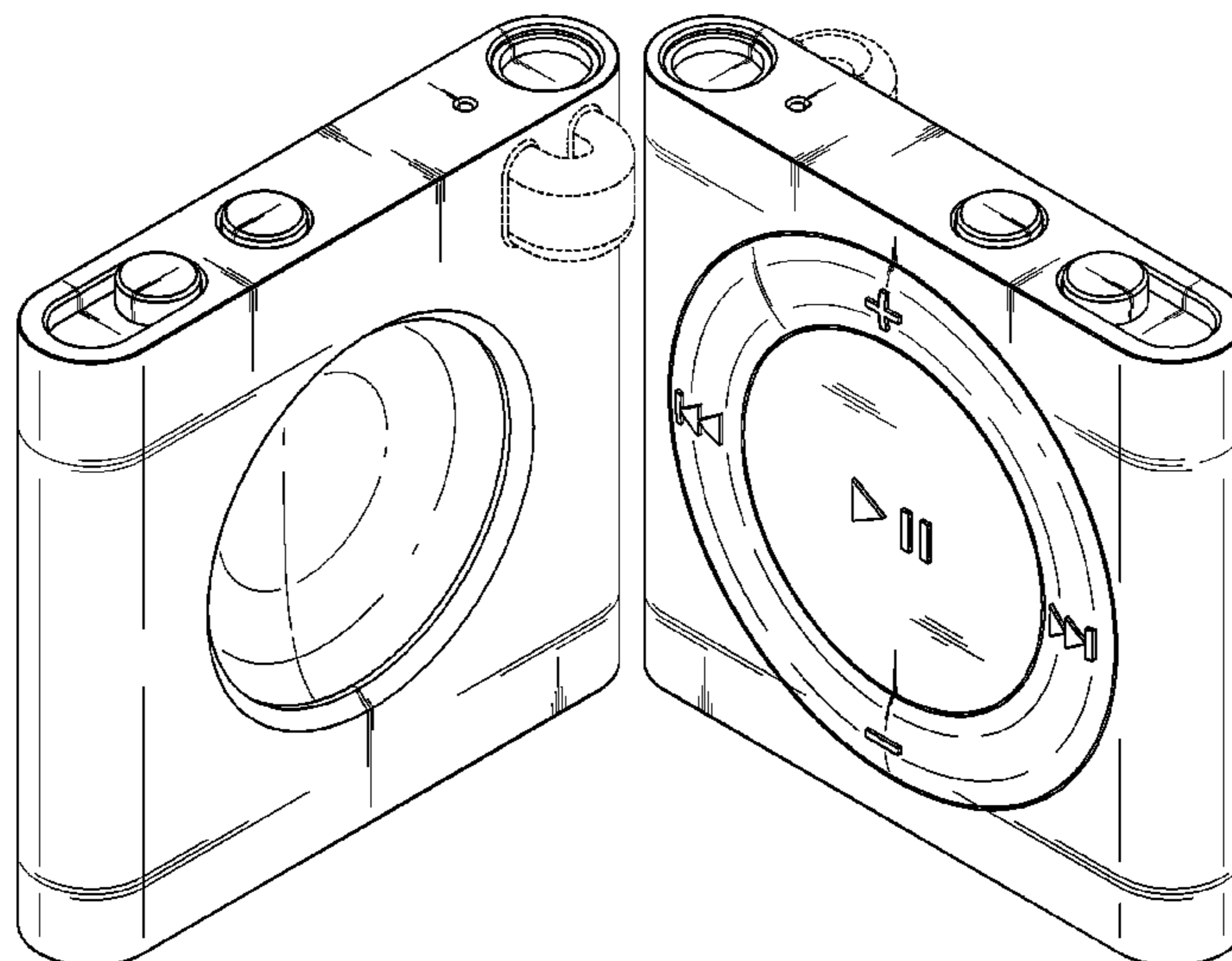
The ornamental design for a cover for tracking device or the like, as shown and described.

DESCRIPTION

FIG. 1 is a front, top, and left side perspective view of a cover for tracking device or the like, showing my design; FIG. 2 is a front view thereof; FIG. 3 is a back view thereof; FIG. 4 is a left side view thereof; FIG. 5 is a right side view thereof; FIG. 6 is a top view thereof; FIG. 7 is a bottom view thereof; FIG. 8 is a back, top, and left side perspective view thereof; FIG. 9 is a cross-sectional view taken in the direction of line 9-9 shown in FIG. 2; and, FIG. 10 is a front, top, and left side perspective view thereof in use.

The long dash short dash broken lines and arrows shown in FIG. 2 are used to identify the cross-sectional view and form no part of the claimed design. The evenly spaced broken lines shown in FIGS. 1, 2, 4-8, and 10 depict portions of the cover for tracking device or the like or environment and form no part of the claimed design.

1 Claim, 8 Drawing Sheets



(56)

References Cited

U.S. PATENT DOCUMENTS

D628,799 S * 12/2010 Andre D3/269
 D629,789 S * 12/2010 Andre D14/203.3
 D638,443 S 5/2011 Akana et al.
 D638,854 S * 5/2011 Andre D14/496
 D647,107 S * 10/2011 Akana D14/203.3
 D647,921 S * 11/2011 Akana D14/203.3
 D650,377 S 12/2011 Akana et al.
 D650,811 S * 12/2011 Andre D14/496
 D654,506 S * 2/2012 Akana D14/496
 D656,955 S * 4/2012 Akana D14/203.3
 D659,712 S * 5/2012 Andre D14/496
 D663,320 S * 7/2012 Akana D14/203.3
 D669,915 S * 10/2012 Akana D14/203.3
 D669,916 S * 10/2012 Andre D14/496
 D671,020 S * 11/2012 Collins D10/70
 D678,336 S * 3/2013 Akana D14/203.3
 D678,909 S * 3/2013 Akana D14/203.3
 D690,739 S * 10/2013 Akana D14/496
 D693,847 S * 11/2013 Andre D14/496
 D699,701 S * 2/2014 Kim D14/203.7
 D711,924 S * 8/2014 Akana D14/496
 D726,035 S 4/2015 Perez et al.

D734,362 S * 7/2015 Akana D14/496
 D739,439 S * 9/2015 Akana D14/496
 D792,404 S 7/2017 Nott et al.
 D804,971 S 12/2017 Heikkilä
 D825,359 S * 8/2018 Lee D10/70
 D860,832 S * 9/2019 Illouz D10/60
 D866,370 S 11/2019 Wheaton et al.
 D866,371 S 11/2019 Wheaton et al.
 D868,465 S 12/2019 Lee et al.
 D872,468 S 1/2020 Lee et al.
 D872,469 S 1/2020 Lee et al.
 D896,391 S * 9/2020 Moriguchi D10/70
 2013/0135796 A1 * 5/2013 Auclair A45C 11/00
 361/679.01

OTHER PUBLICATIONS

Elago Brings iPod Shuffle Vibes to your Apple AirTag with All-New Case, publication date Oct. 19, 2021, (online) URL: <https://9to5toys.com/2021/10/19/elago-ipod-shuffle-airtag/> (Year: 2021).*
 Apple iPod Shuffle 2010 (4th generation): unboxing and Demo, YouTube, publication date Sep. 7, 2010, (online) URL: <https://www.youtube.com/watch?v=dSSQiSngiqw> (Year: 2010).*

* cited by examiner

FIG. 1

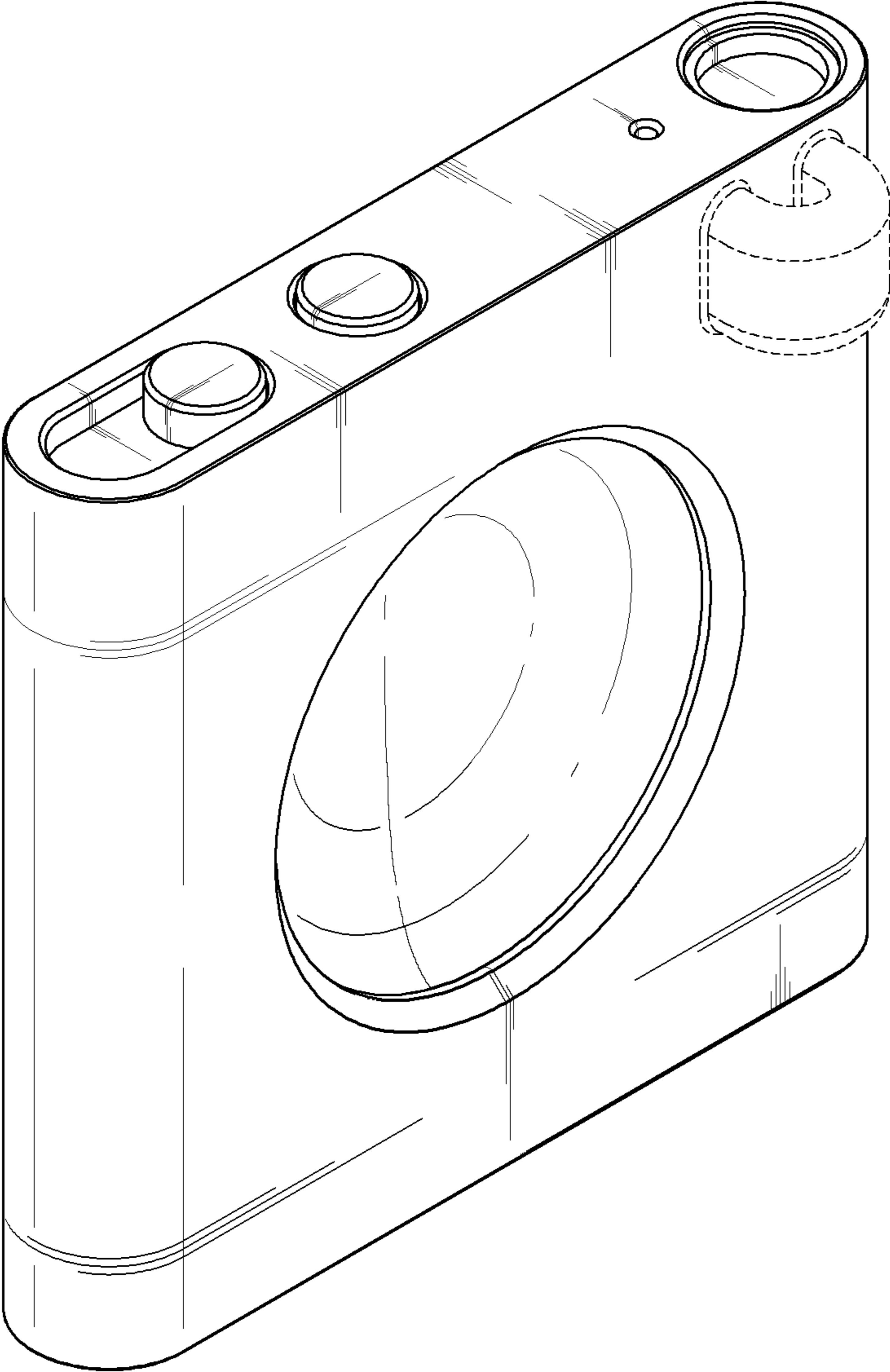


FIG. 2

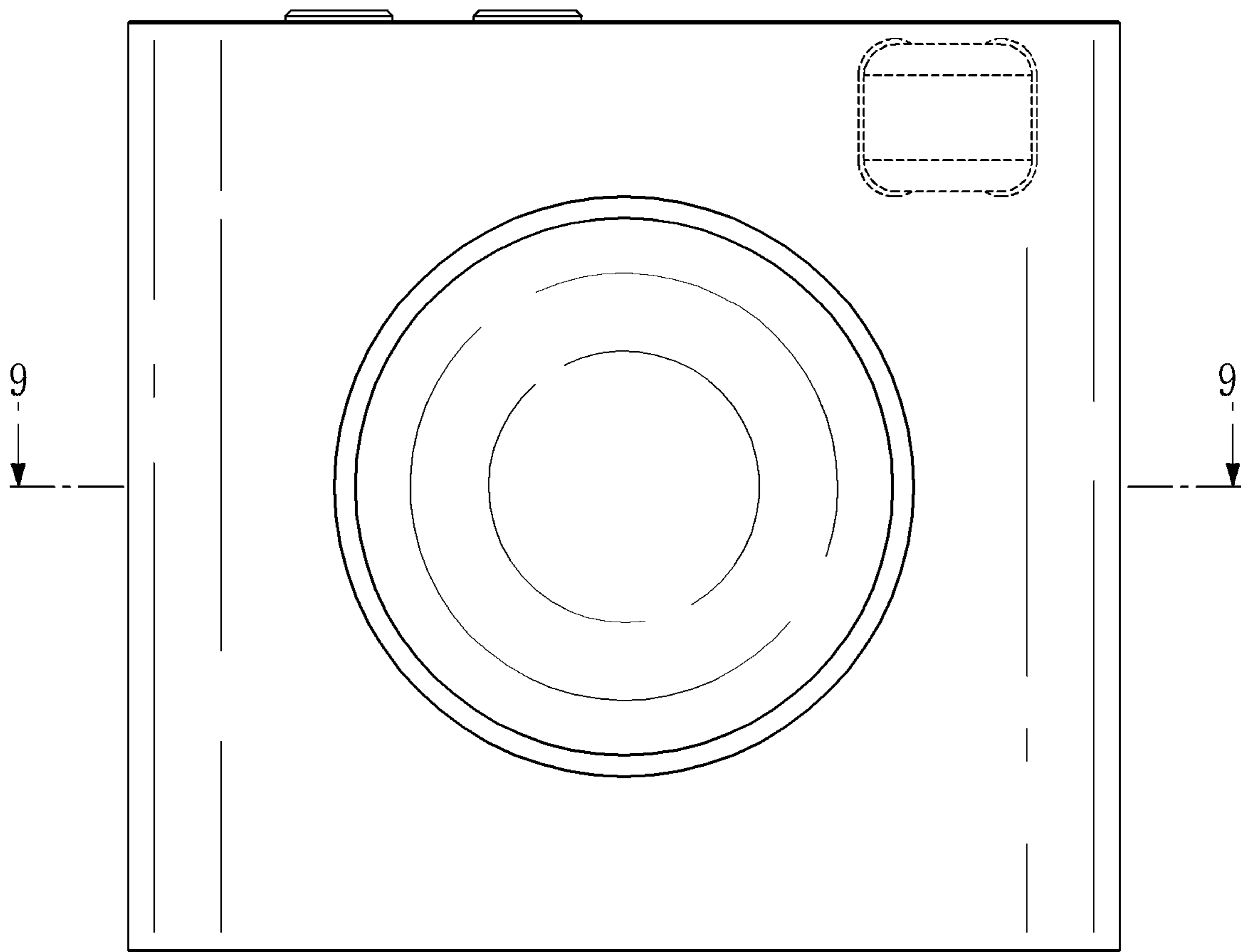


FIG. 3

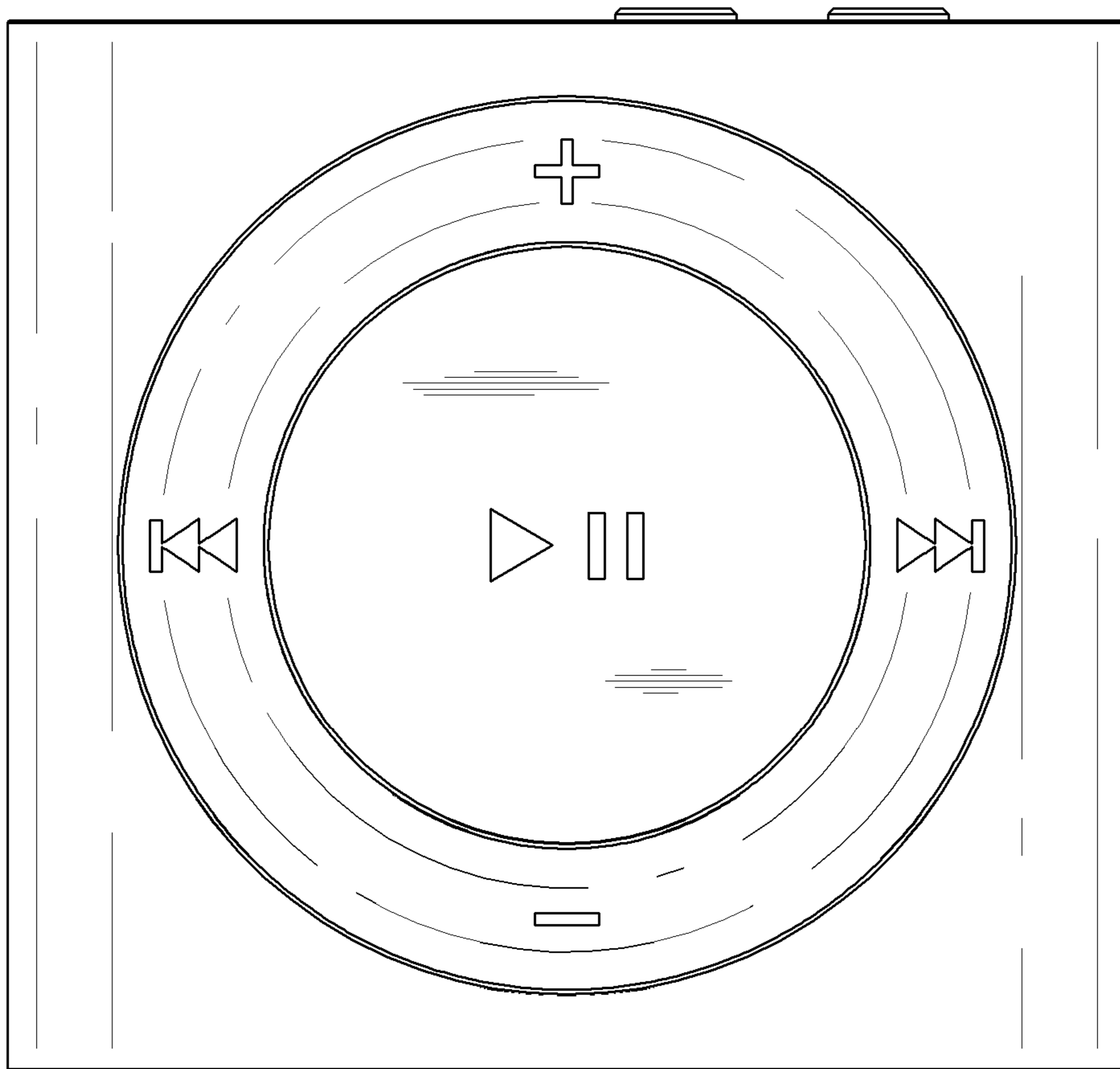


FIG. 4

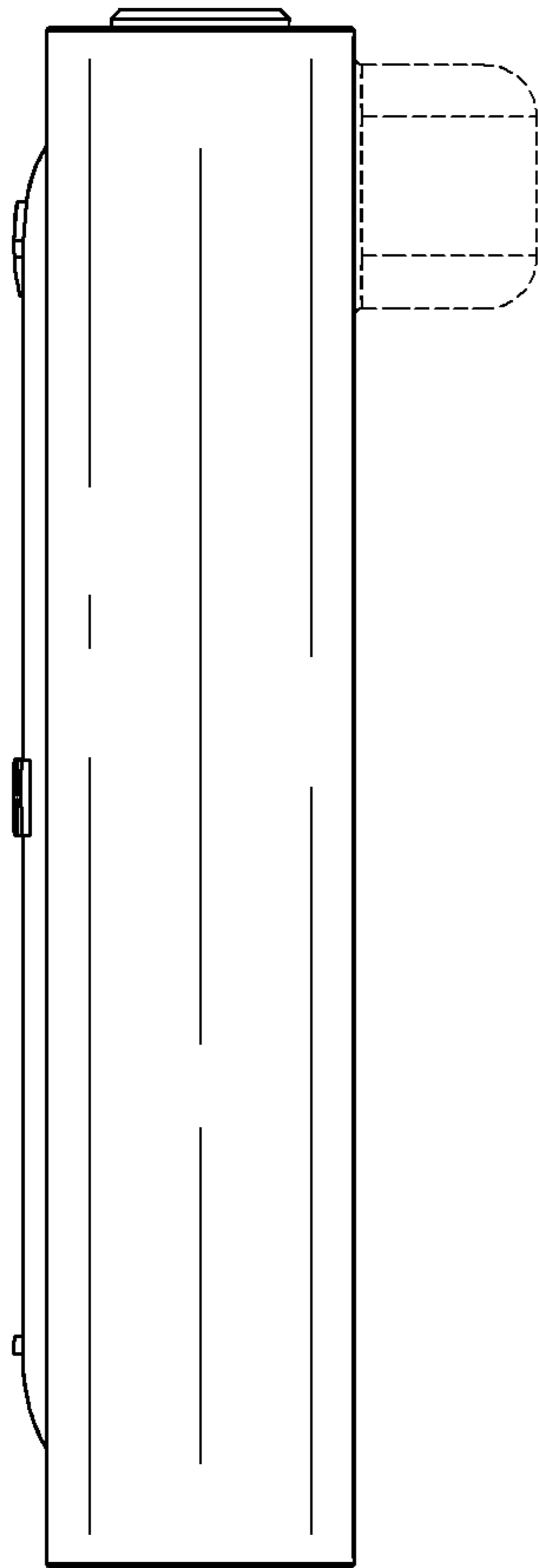


FIG. 5

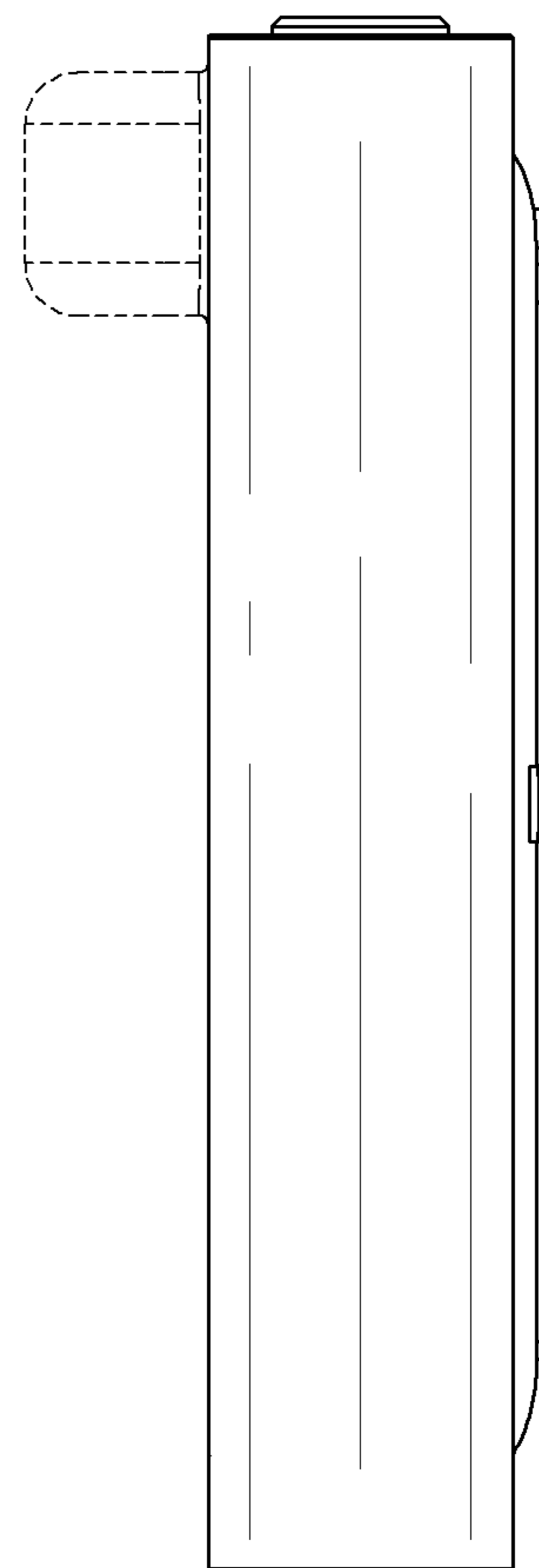


FIG. 6

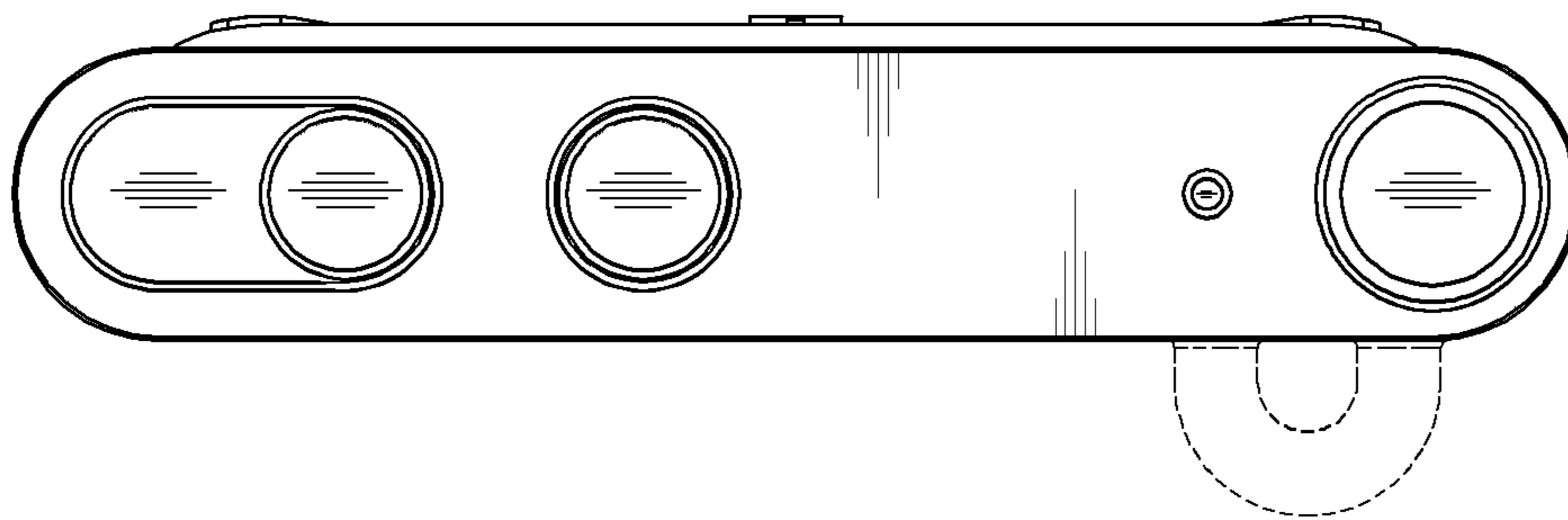


FIG. 7

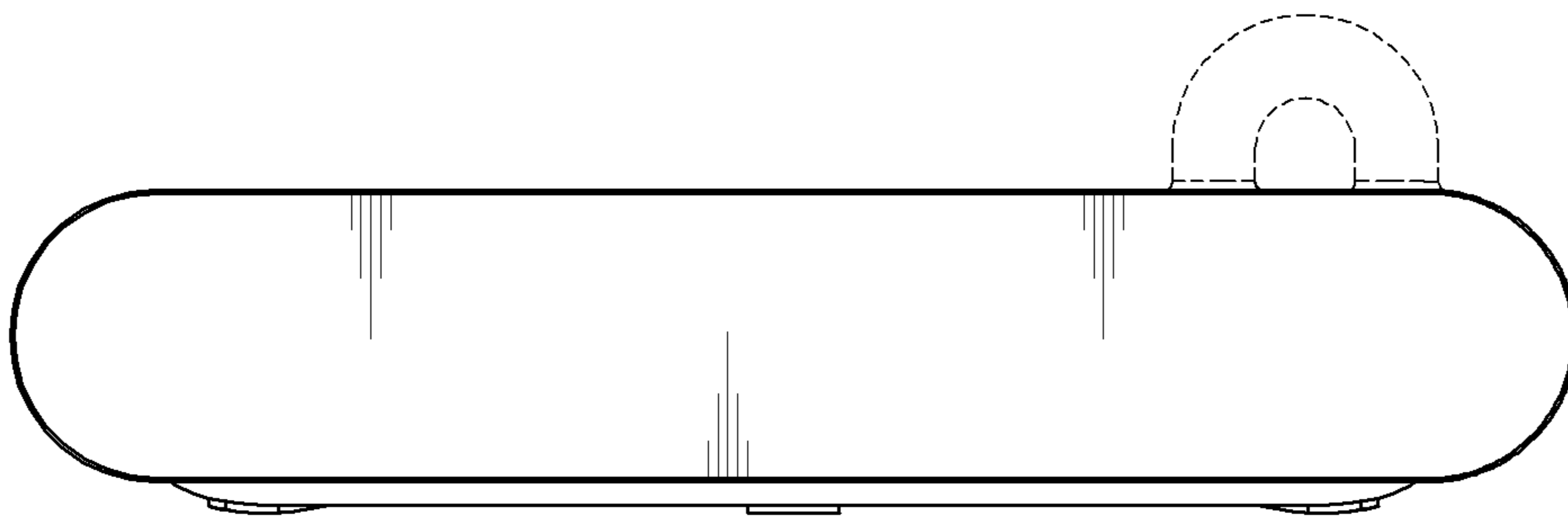


FIG. 9

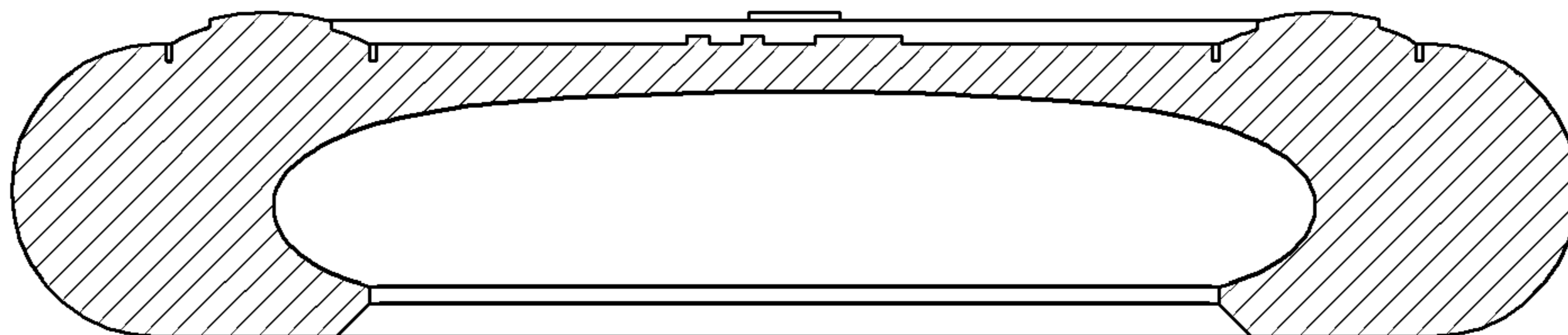


FIG. 10

