



US00D955242S

(12) **United States Design Patent**
Liu et al.

(10) **Patent No.:** **US D955,242 S**
(45) **Date of Patent:** **** Jun. 21, 2022**

(54) **RANGEFINDER**

(71) Applicants: **SINTAI OPTICAL (SHENZHEN) CO., LTD.**, Shenzhen (CN); **ASIA OPTICAL CO., INC.**, Taichung (TW)

(72) Inventors: **Hua-Tang Liu**, Taichung (TW); **Han Lu**, Taichung (TW); **Yang-Yang Yu**, Taichung (TW)

(73) Assignees: **ASIA OPTICAL INTERNATIONAL LTD.**, Taichung (TW); **SINTAI OPTICAL (SHENZHEN) CO., LTD.**, Shenzhen (CN)

(**) Term: **15 Years**

(21) Appl. No.: **29/763,033**

(22) Filed: **Dec. 21, 2020**

(30) **Foreign Application Priority Data**

Jul. 1, 2020 (TW) 109303499

(51) **LOC (13) Cl.** **10-04**

(52) **U.S. Cl.**
USPC **D10/70; D16/130**

(58) **Field of Classification Search**
USPC D16/130, 131, 132, 133, 135, 136, 200,
D16/202, 203, 219, 230; D10/70
CPC G02B 23/00; G02B 23/16; G01C 3/00;
G01C 3/04; G01C 3/06
See application file for complete search history.

(56) **References Cited**

U.S. PATENT DOCUMENTS

D532,026 S * 11/2006 Sosniak D16/130
D547,780 S * 7/2007 Meinzer D16/132
D611,848 S * 3/2010 Liu D10/70
D674,831 S * 1/2013 Wunnicke D16/132
D716,858 S * 11/2014 Kobayashi D16/132

D723,080 S * 2/2015 Kobayashi D16/132
D863,996 S * 10/2019 Shao D10/70
D870,174 S * 12/2019 Ueno D16/132
D895,457 S * 9/2020 Zhang D10/70
D895,458 S * 9/2020 Nyhart D10/70
D944,668 S * 3/2022 Li D10/70
2020/0340809 A1 * 10/2020 Chang G01C 3/14

OTHER PUBLICATIONS

HALO Z1200 Range Finder, HALO, retrieved Mar. 4, 2022, <https://www.academy.com/p/halo-z1200-6x-laser-range-finder> (Year: 2022).*

* cited by examiner

Primary Examiner — Richard Kearney

Assistant Examiner — Benjamin M Weeks

(74) *Attorney, Agent, or Firm* — McClure, Qualey & Rodack, LLP

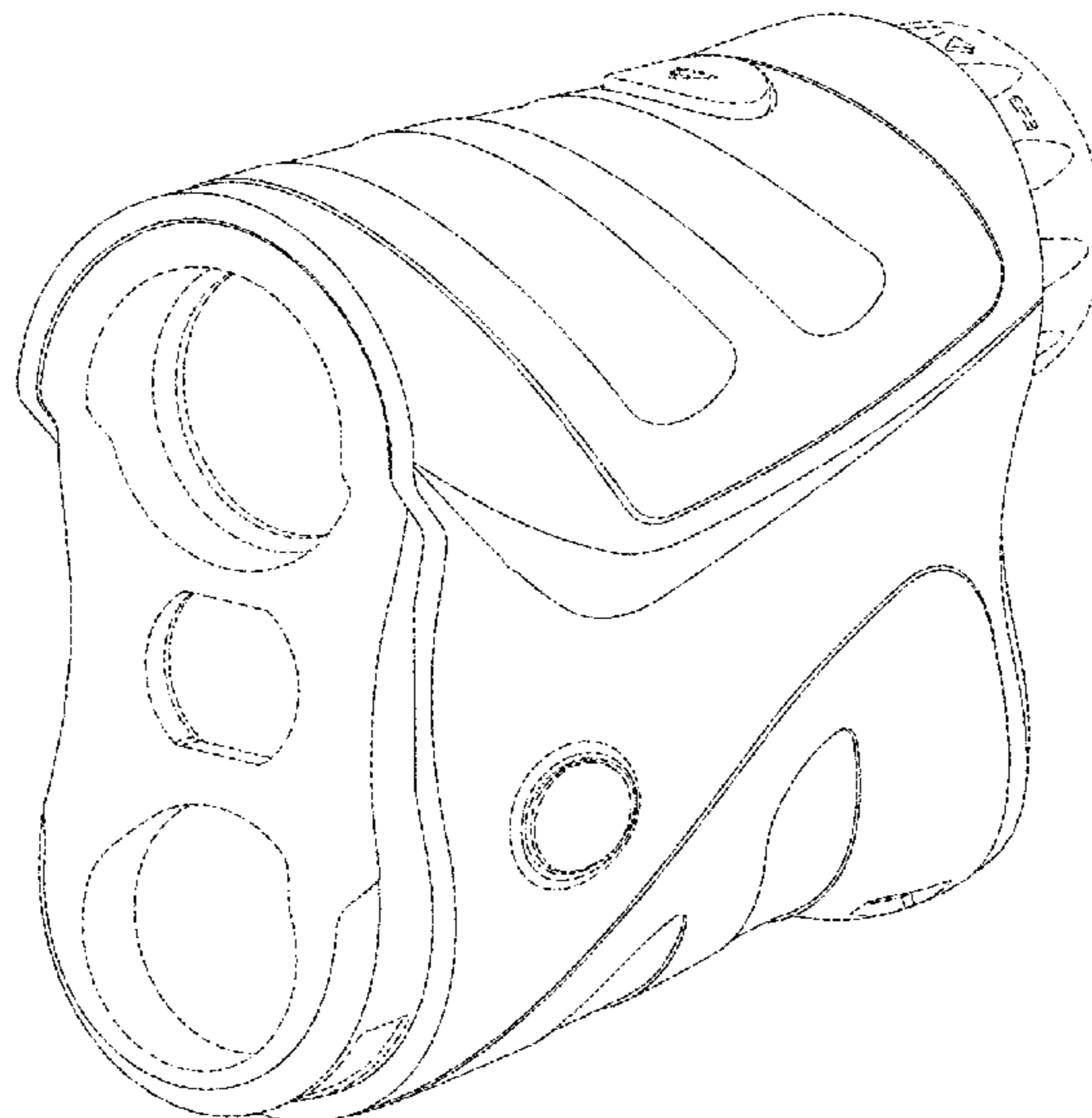
(57) **CLAIM**

The ornamental design for a rangefinder, as shown and described.

DESCRIPTION

FIG. 1 is a front, left perspective view of a rangefinder, showing our new design;
FIG. 2 is a front view thereof;
FIG. 3 is a rear view thereof;
FIG. 4 is a left side view thereof;
FIG. 5 is a right side view thereof;
FIG. 6 is a top plan view thereof;
FIG. 7 is a bottom plan view thereof;
FIG. 8 is a rear, right perspective view thereof; and,
FIG. 9 is a front, left perspective view thereof with the shading lines, which only help to show the shape and do not depict any surface decoration.
The broken lines in the drawings depict portions of the rangefinder that form no part of the claimed design.

1 Claim, 9 Drawing Sheets



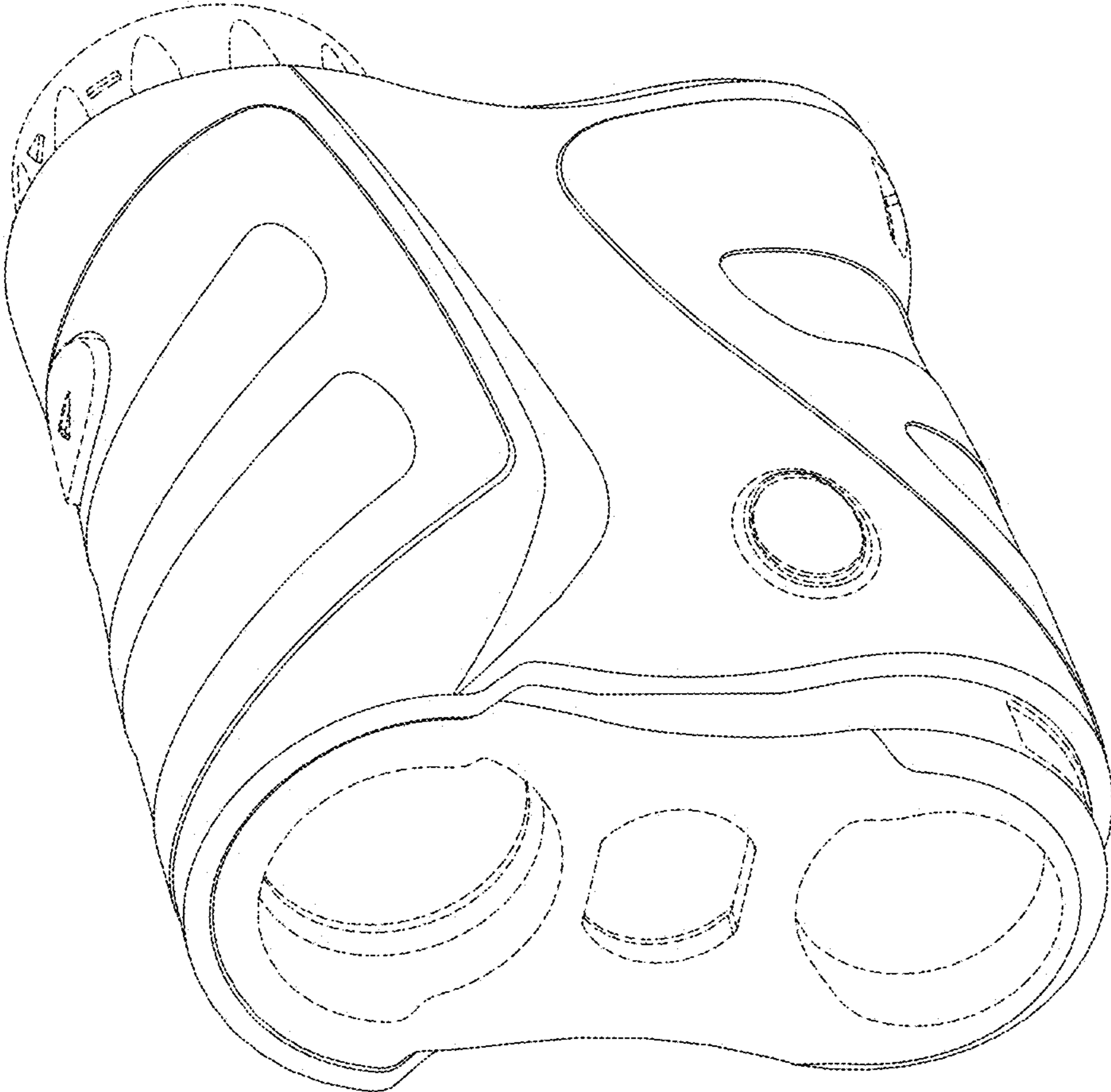


FIG. 1

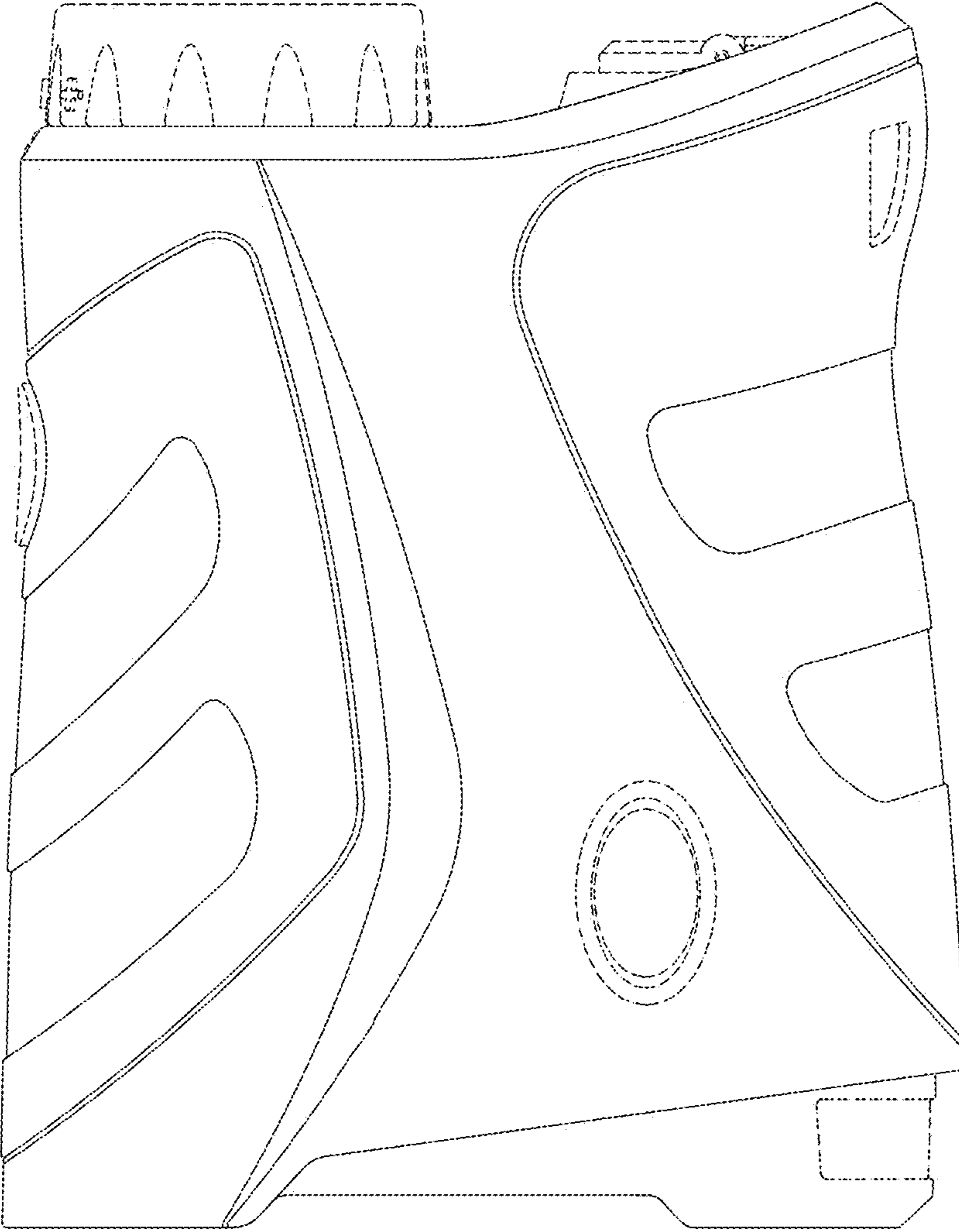


FIG. 2

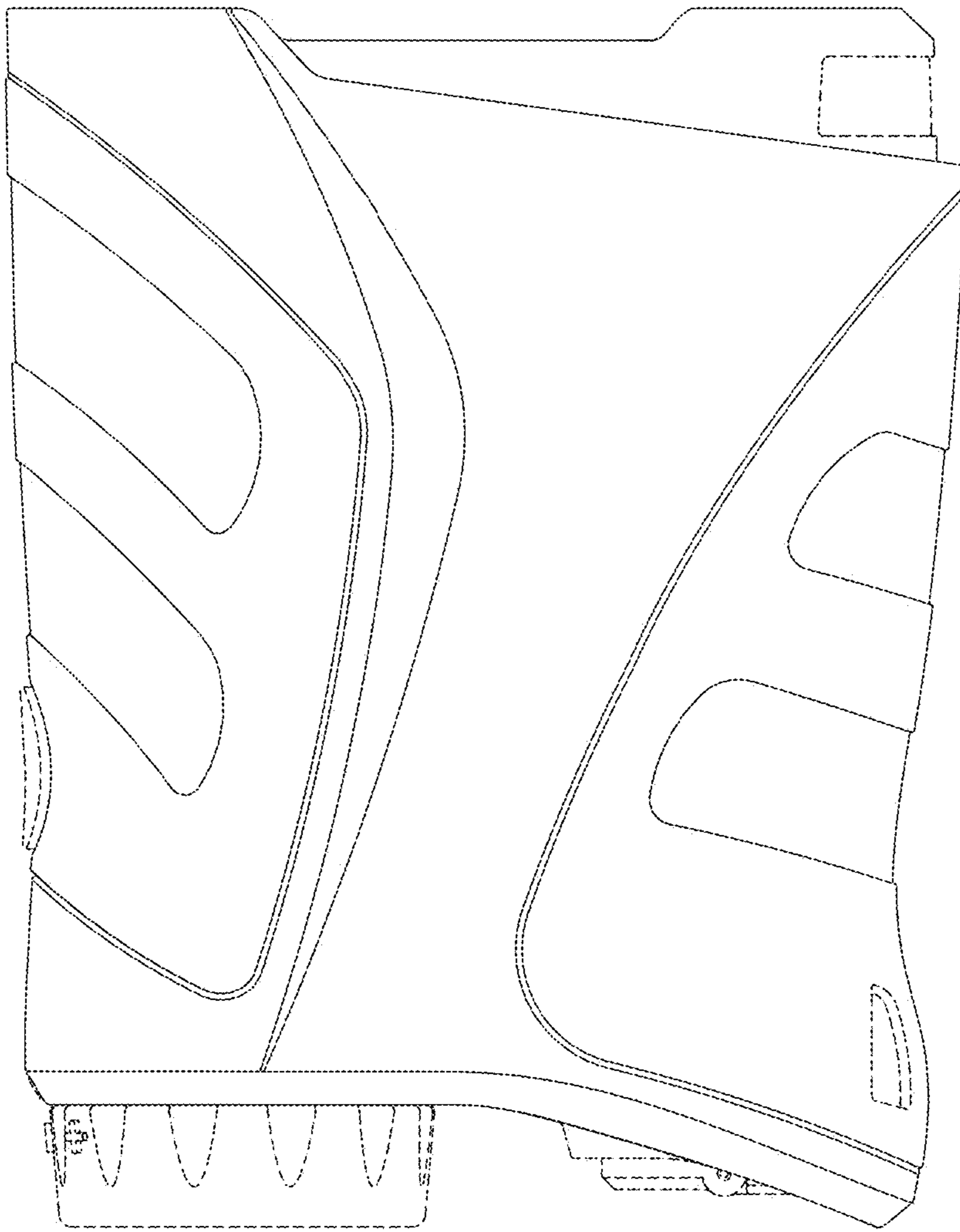


FIG. 3

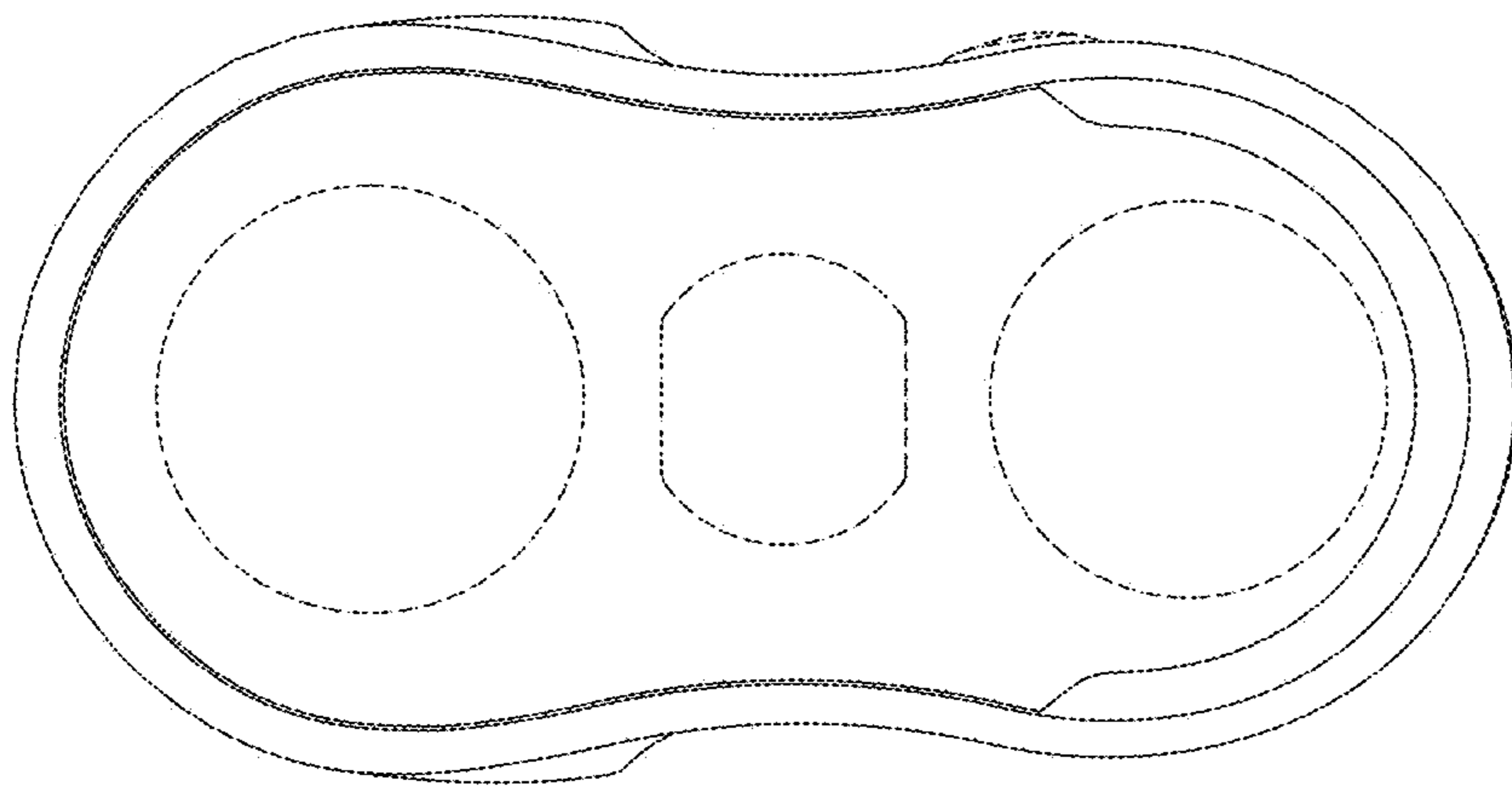


FIG. 4

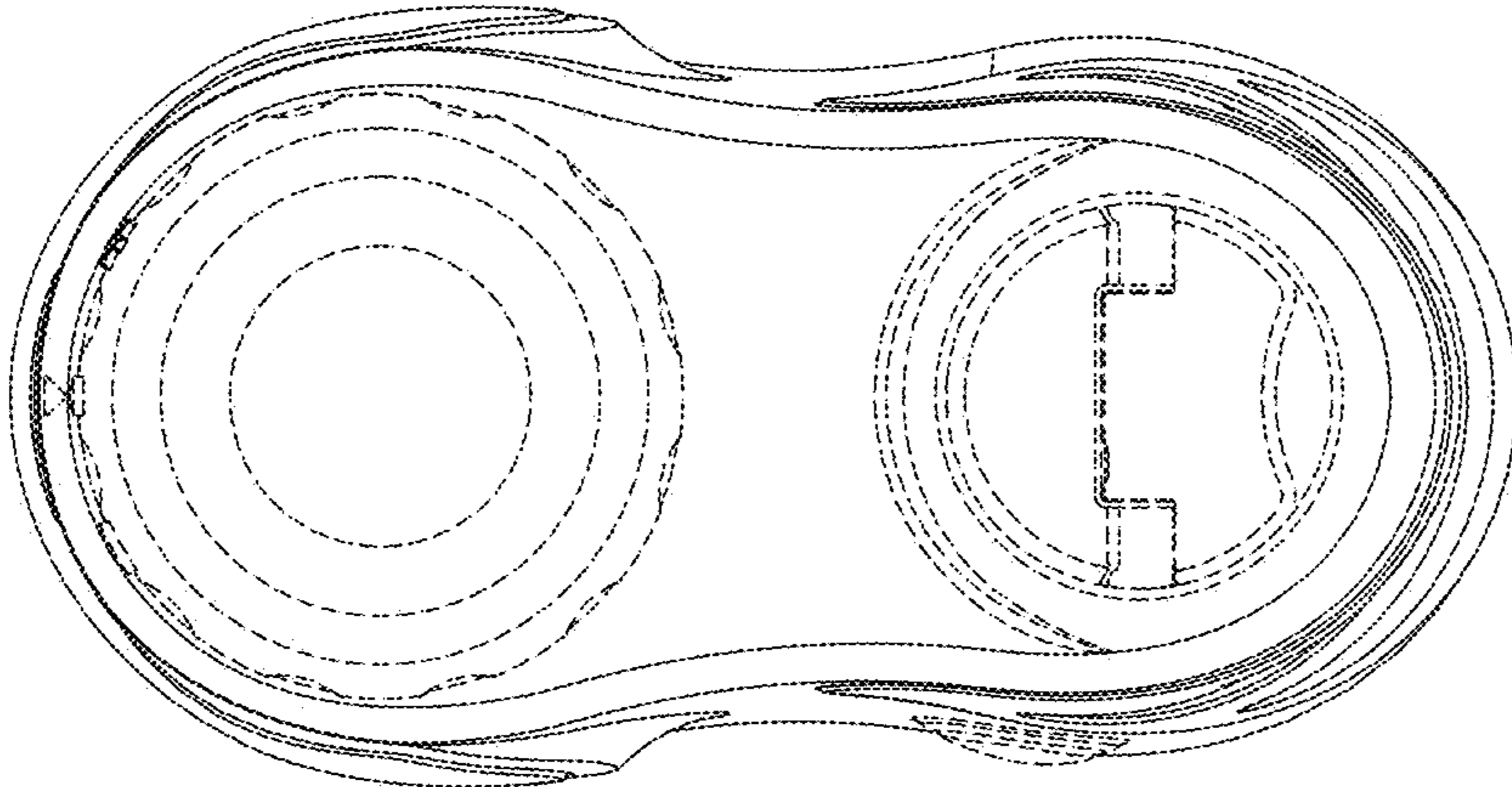


FIG. 5

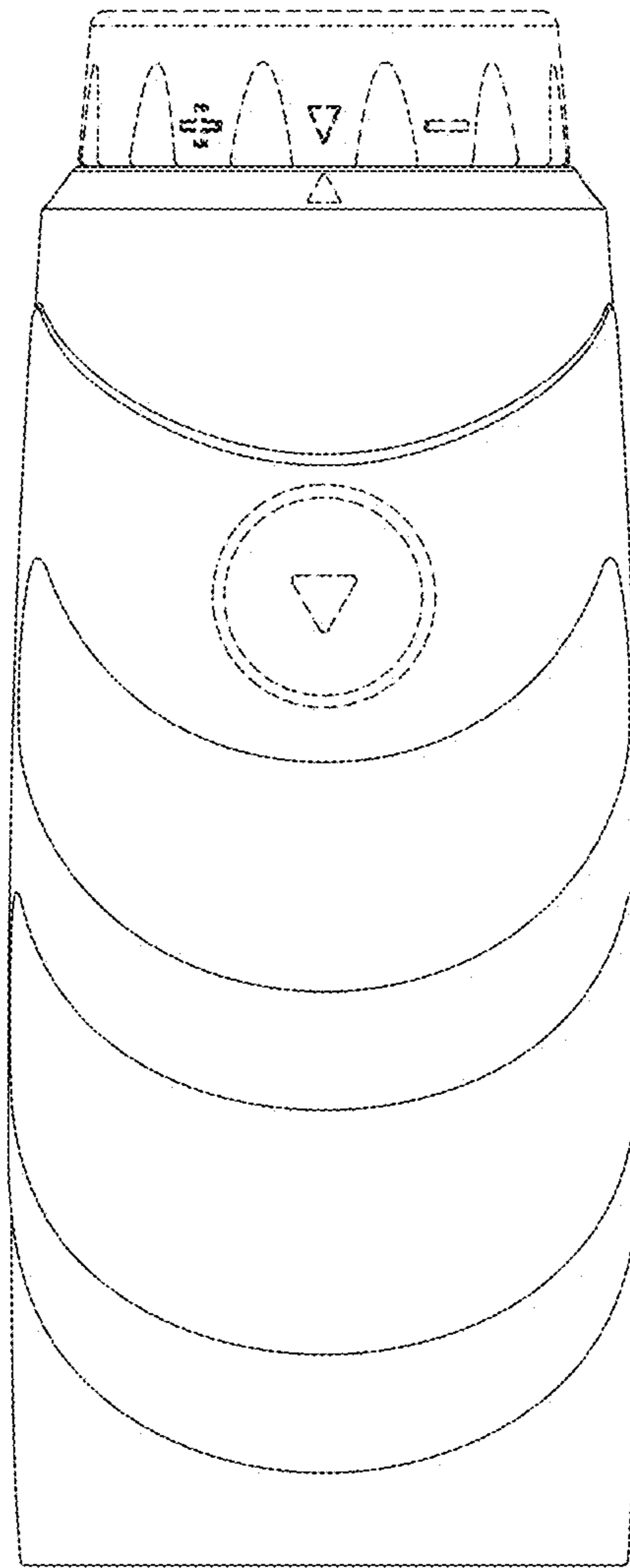


FIG. 6

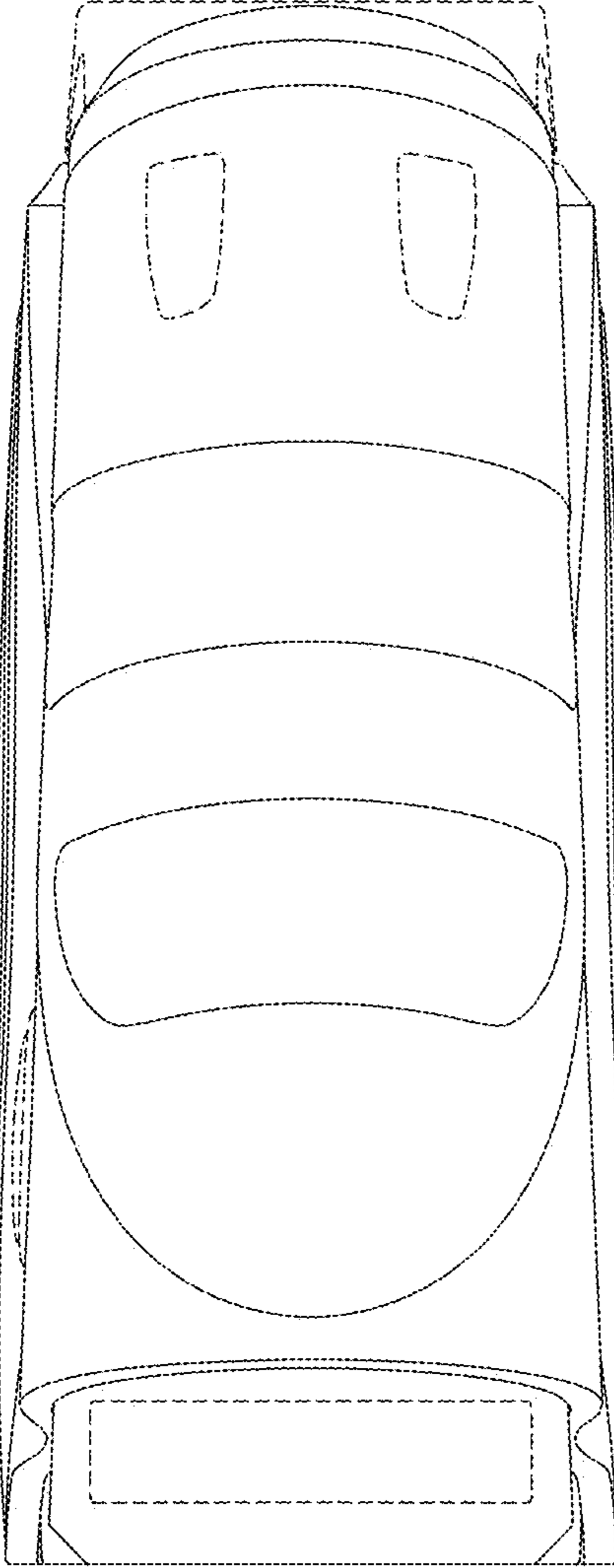


FIG. 7

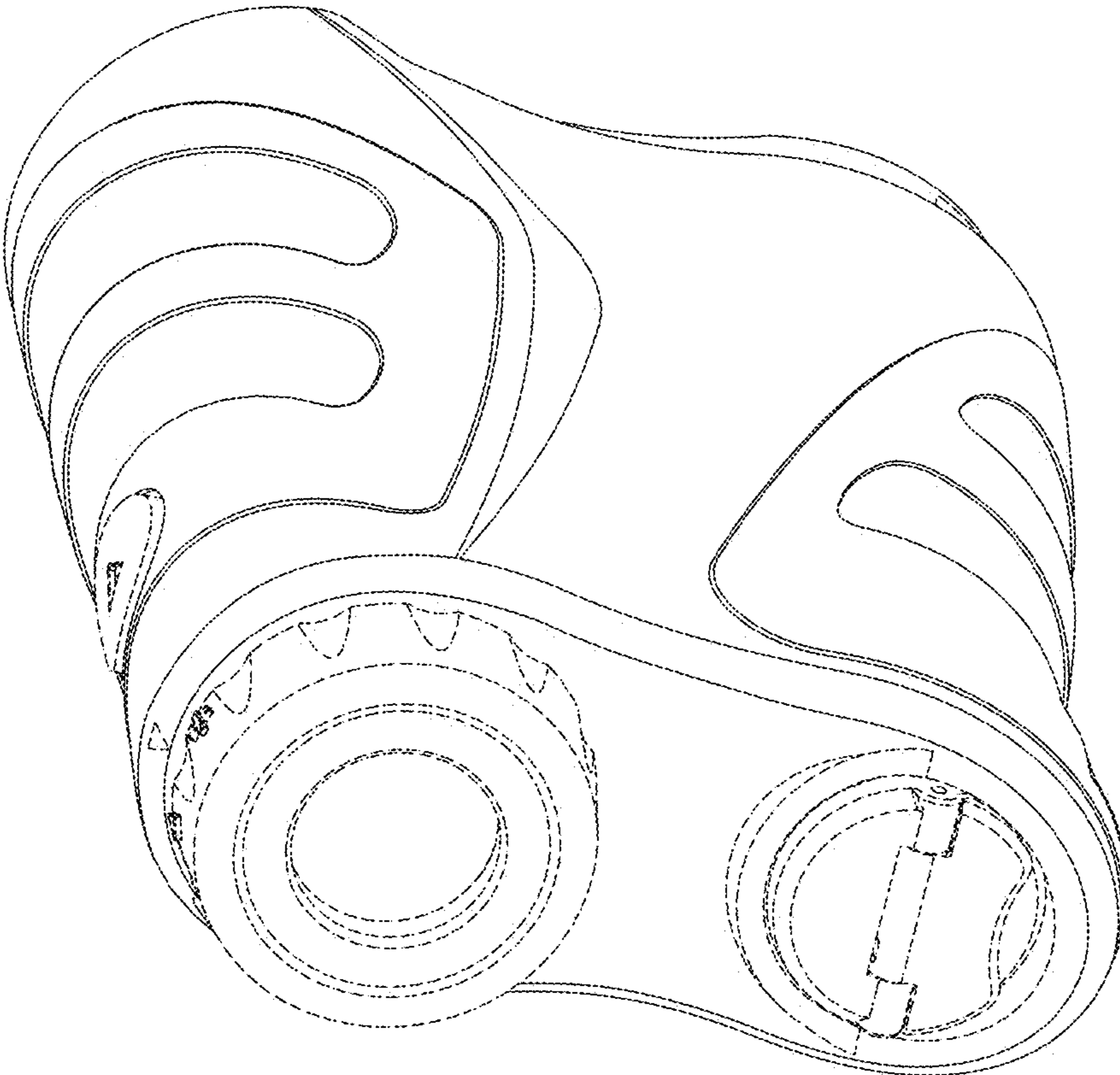


FIG. 8

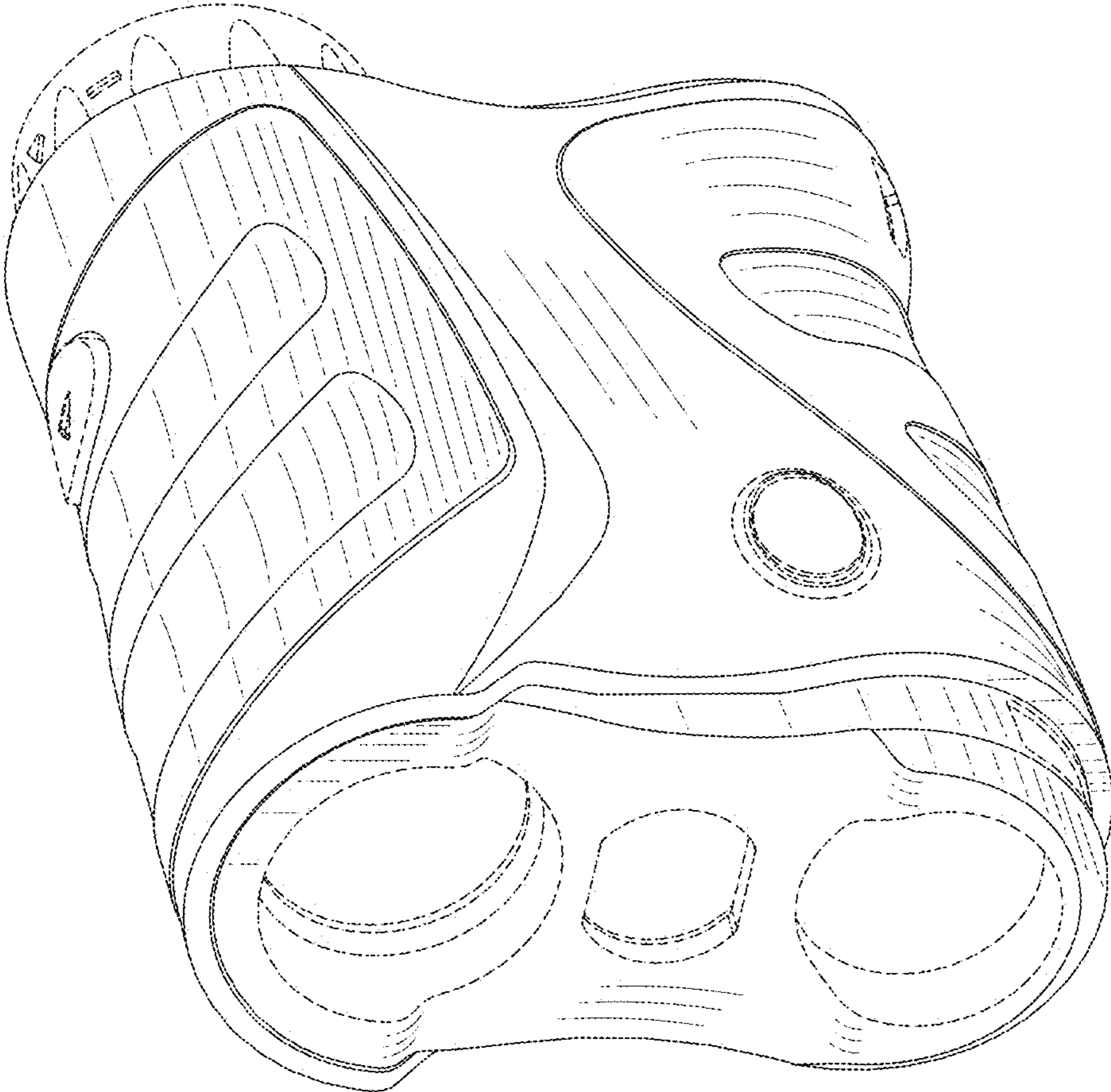


FIG. 9