



US00D955241S

(12) **United States Design Patent**  
**Wojciechowski et al.**

(10) **Patent No.:** **US D955,241 S**  
(45) **Date of Patent:** **\*\* Jun. 21, 2022**

- (54) **TORPEDO LEVEL**
- (71) Applicant: **Johnson Level & Tool Mfg. Co., Inc.**,  
Mequon, WI (US)
- (72) Inventors: **Timothy J. Wojciechowski**, Hubertus,  
WI (US); **David Mencil**, Menomonee  
Falls, WI (US)
- (73) Assignee: **Johnson Level & Tool Mfg. Co., Inc.**,  
Mequon, WI (US)
- (\*\*) Term: **15 Years**

- D301,553 S 6/1989 Makofsky et al.
- 4,876,798 A 10/1989 Zimmerman
- D320,360 S 10/1991 Kennedy
- D332,226 S 1/1993 Hutchins et al.
- D355,134 S 2/1995 Kennedy
- D412,857 S 8/1999 Howard et al.
- D415,436 S 10/1999 Martone
- D469,370 S 1/2003 Gruetzmacher et al.
- D472,168 S 3/2003 Levinson
- 6,568,095 B2 5/2003 Snyder
- 6,782,628 B2 8/2004 Liao
- D503,635 S 4/2005 Kallabis
- D507,194 S 7/2005 Budrow et al.

(Continued)

- (21) Appl. No.: **29/749,637**
  - (22) Filed: **Sep. 8, 2020**
  - (51) **LOC (13) Cl.** ..... **10-04**
  - (52) **U.S. Cl.**  
USPC ..... **D10/69**
  - (58) **Field of Classification Search**  
USPC ..... D10/69  
CPC ... G01C 9/24; G01C 9/26; G01C 9/28; G01C  
9/30; G01C 9/32; G01C 9/34; G01C  
9/36; G01C 9/00; G01C 9/005; G01C  
9/02; G01C 9/04; G01C 9/06; G01C  
9/08; G01C 9/10; G01C 9/12; G01C  
9/14; G01C 9/16; G01C 9/18; G01C  
9/20; G01C 9/22; G01C 2009/005; G01C  
2009/062; G01C 2009/064; G01C  
2009/066; G01C 2009/068; G01C  
2009/102; G01C 2009/105; G01C  
2009/107; G01C 2009/182; G01C  
2009/185; G01C 2009/187
- See application file for complete search history.

**FOREIGN PATENT DOCUMENTS**

- CN 302841208 6/2014
- TW D186344 11/2017

**OTHER PUBLICATIONS**

Taiwan Design Patent Application No. 109305387, Taiwan IPO Search Report dated Mar. 31, 2021, 1 page.

*Primary Examiner* — Antoine Duval Davis

(74) *Attorney, Agent, or Firm* — Boyle Fredrickson S.C.

(57) **CLAIM**

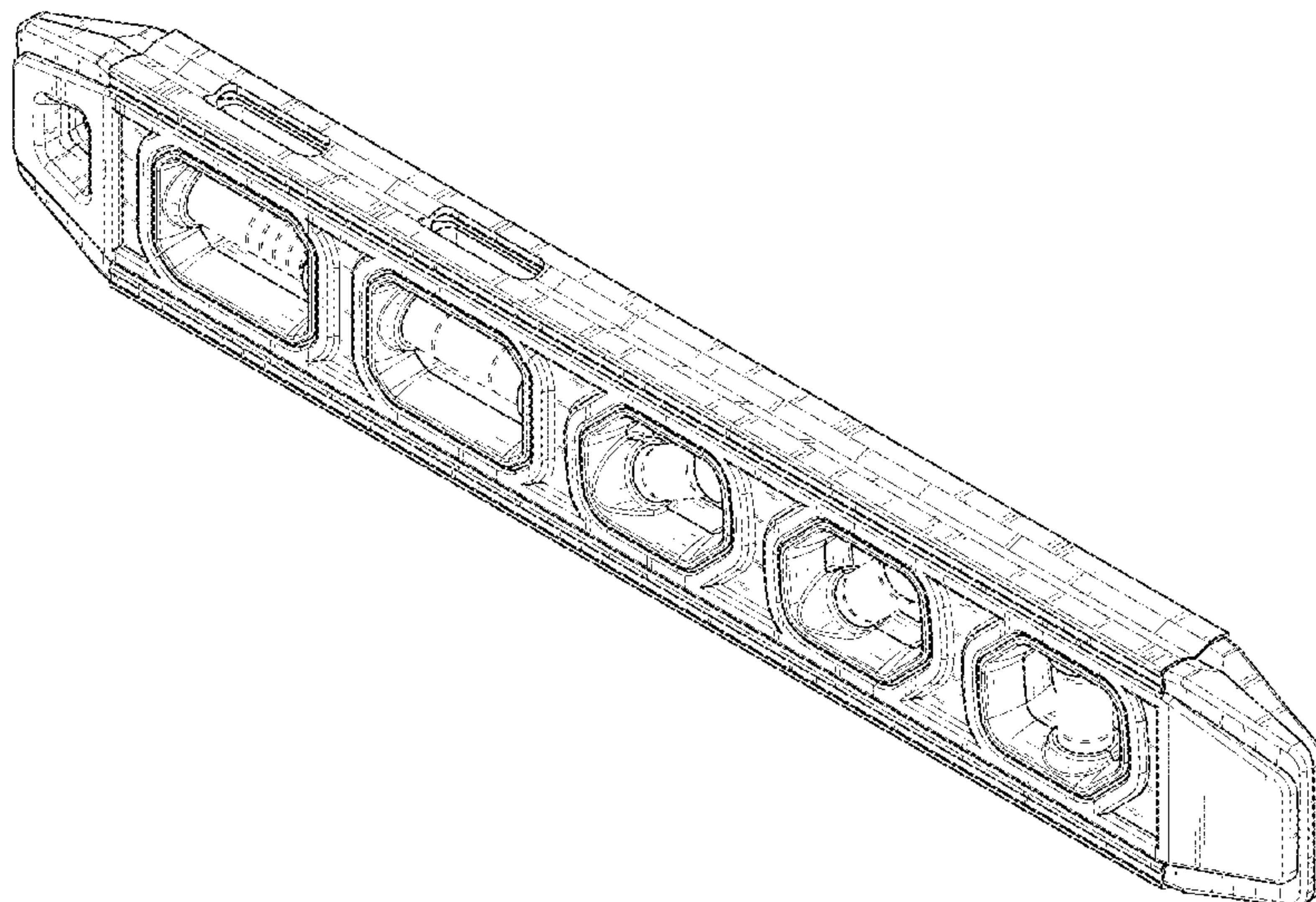
The ornamental design of a torpedo level, as shown and described.

**DESCRIPTION**

FIG. 1 is an isometric view of a torpedo level incorporating our new design, wherein the portions in phantom form no part of the claimed design;  
 FIG. 2 is a first side elevation view thereof;  
 FIG. 3 is a second side elevation view thereof;  
 FIG. 4 is a top plan view thereof;  
 FIG. 5 is a bottom plan view thereof;  
 FIG. 6 is a first end elevation view thereof; and,  
 FIG. 7 is a second end elevation view thereof.

**1 Claim, 7 Drawing Sheets**

- (56) **References Cited**  
U.S. PATENT DOCUMENTS
- D224,663 S 8/1972 de Jong
- D280,185 S 8/1985 Wright
- 4,593,475 A 6/1986 Mayes
- 4,829,676 A 5/1989 Waldron



(56)

**References Cited**

## U.S. PATENT DOCUMENTS

D513,198	S	12/2005	Levinson	
D519,863	S	5/2006	Kim	
D521,882	S	5/2006	Kim	
7,086,166	B2	8/2006	Helda et al.	
7,152,335	B2	12/2006	Nichols	
D582,302	S	12/2008	Johnson et al.	
7,472,487	B2	1/2009	Tran et al.	
D597,872	S	8/2009	Gofer	
D597,873	S	8/2009	Gofer	
D625,630	S	10/2010	Levinson	
D628,914	S	12/2010	Kim et al.	
7,946,045	B2	5/2011	Allemand	
D644,946	S	9/2011	Silberberg	
D644,947	S	9/2011	Silberberg	
8,061,051	B2	11/2011	Allemand	
D694,659	S	12/2013	Yong et al.	
D704,577	S	5/2014	Levinson	
D723,955	S	3/2015	Wojciechowski et al.	
D723,956	S	3/2015	Johnson et al.	
D729,645	S	5/2015	Wojciechowski et al.	
D750,512	S	3/2016	Wojciechowski et al.	
D751,428	S	3/2016	Johnson et al.	
D777,589	S	1/2017	Wojciechowski et al.	
D796,973	S	9/2017	Wojciechowski	
D800,585	S	10/2017	Wojciechowski	
D811,247	S	2/2018	Wojciechowski et al.	
D936,498	S *	11/2021	Wojciechowski .....	D10/69
2005/0252016	A1	11/2005	Helda et al.	
2008/0282562	A1	11/2008	Allemand	
2018/0010912	A1 *	1/2018	Captarencu .....	G01C 9/28
2018/0120104	A1 *	5/2018	Liao .....	G01C 9/28

\* cited by examiner



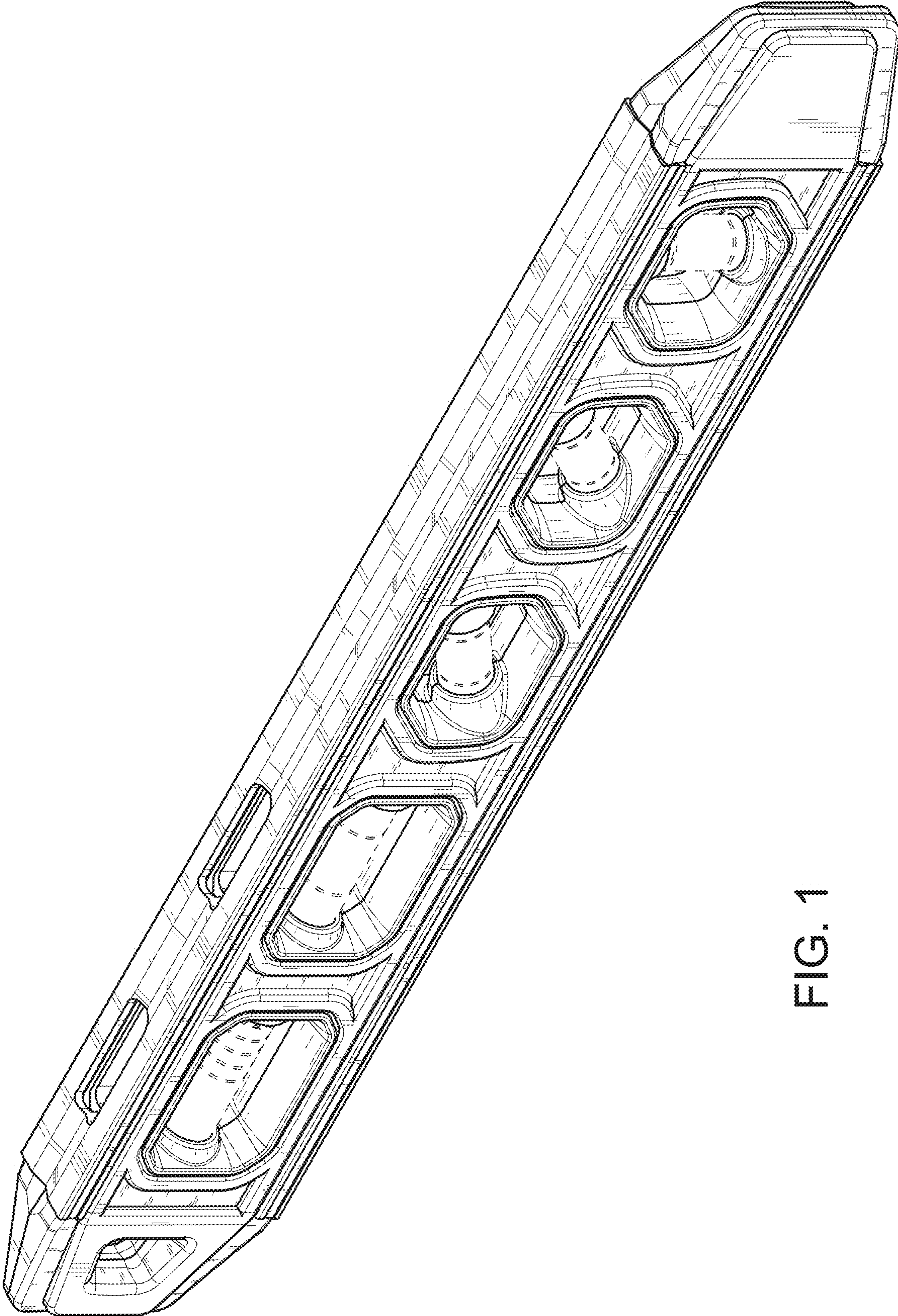


FIG. 1

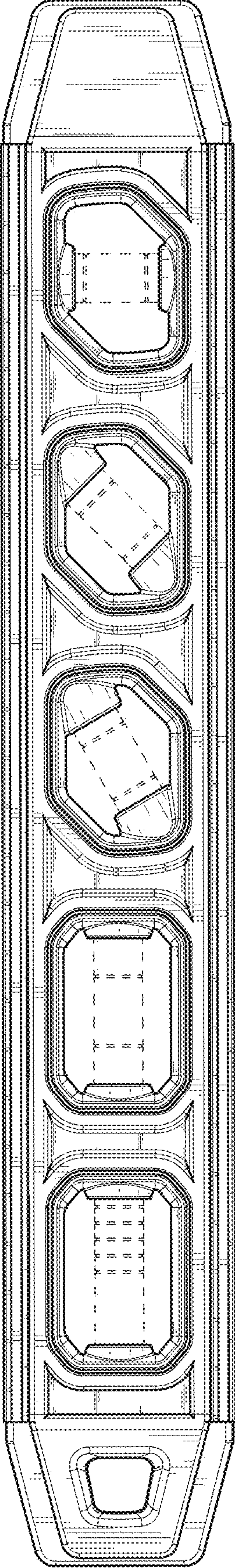


FIG. 2



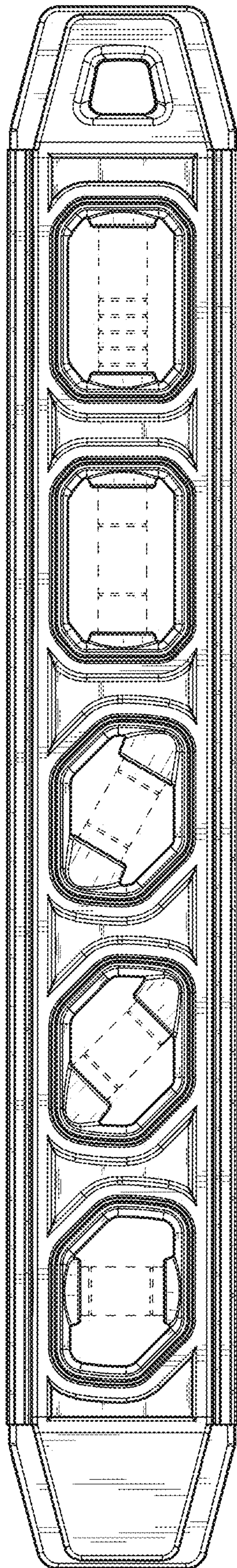


FIG. 3

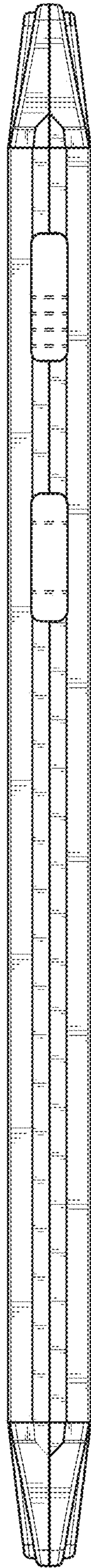


FIG. 4

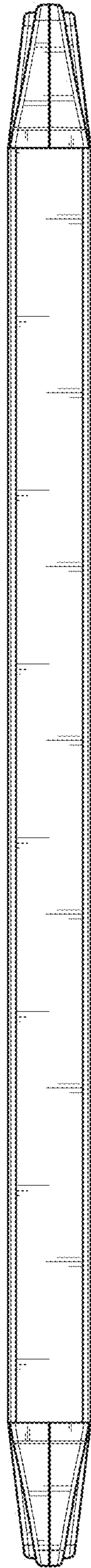


FIG. 5

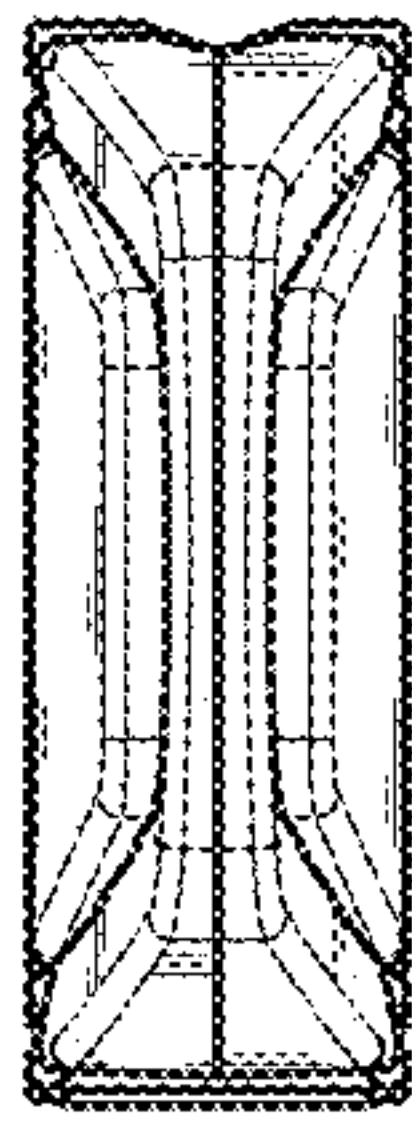


FIG. 6



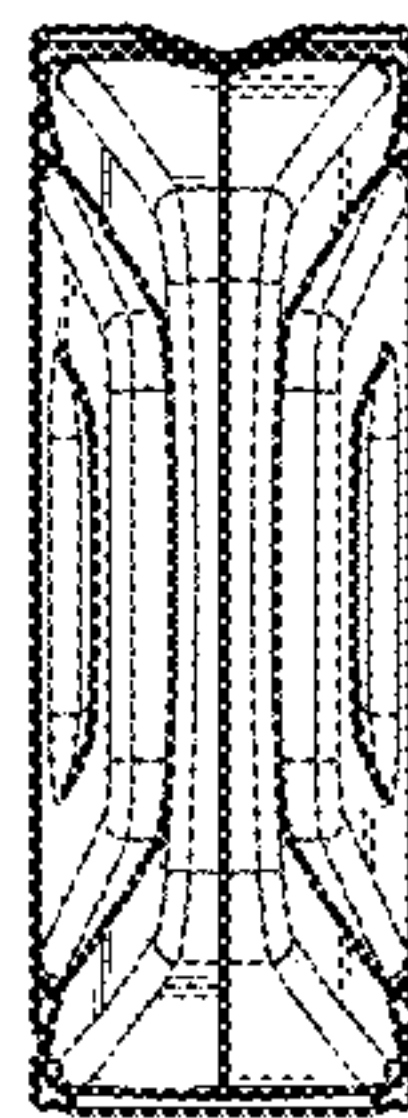


FIG. 7