



US00D955240S

(12) **United States Design Patent**  
**Wojciechowski et al.**

(10) **Patent No.:** **US D955,240 S**  
(45) **Date of Patent:** **\*\* Jun. 21, 2022**

- (54) **BOX BEAM LEVEL**
- (71) Applicant: **Johnson Level & Tool Mfg. Co., Inc.**,  
Mequon, WI (US)
- (72) Inventors: **Timothy J. Wojciechowski**, Hubertus,  
WI (US); **David Mencil**, Menomonee  
Falls, WI (US)
- (73) Assignee: **Johnson Level & Tool Mfg. Co., Inc.**,  
Mequon, WI (US)

D493,737 S 8/2004 Nickel  
 D498,132 S 11/2004 Lai  
 D513,391 S 1/2006 Kim  
 (Continued)

*Primary Examiner* — Antoine Duval Davis  
 (74) *Attorney, Agent, or Firm* — Boyle Fredrickson S.C.

(57) **CLAIM**

The ornamental design of a box beam level, as shown and described.

**DESCRIPTION**

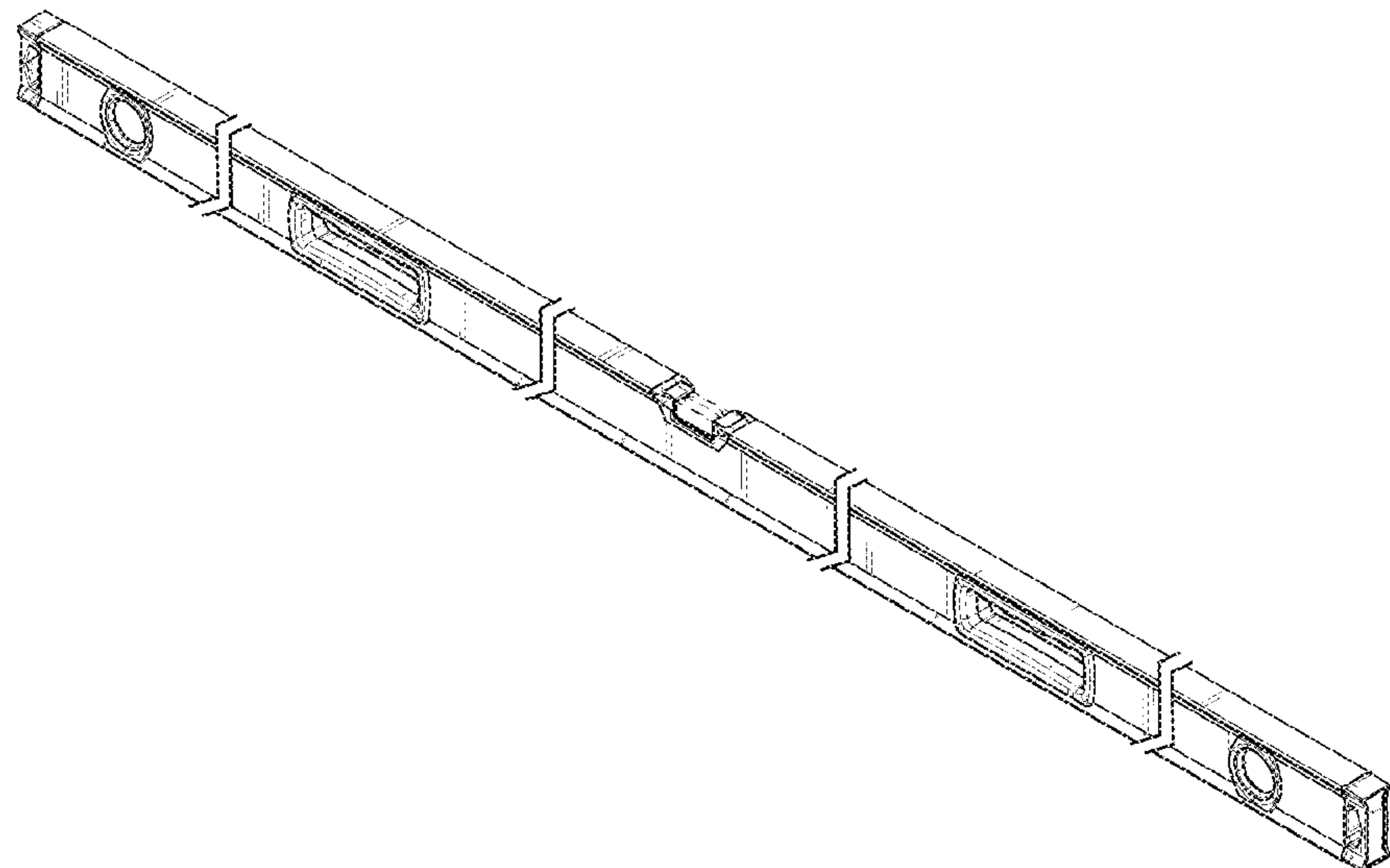
- (\*\*) Term: **15 Years**
- (21) Appl. No.: **29/749,619**
- (22) Filed: **Sep. 8, 2020**
- (51) **LOC (13) Cl.** ..... **10-04**
- (52) **U.S. Cl.**  
USPC ..... **D10/69**
- (58) **Field of Classification Search**  
USPC ..... D10/69  
CPC ... G01C 9/24; G01C 9/26; G01C 9/28; G01C  
9/30; G01C 9/32; G01C 9/34; G01C  
9/36; G01C 9/00; G01C 9/005; G01C  
9/02; G01C 9/04; G01C 9/06; G01C  
9/08; G01C 9/10; G01C 9/12; G01C  
9/14; G01C 9/16; G01C 9/18; G01C  
9/20; G01C 9/22; G01C 2009/005; G01C  
2009/062; G01C 2009/064; G01C  
2009/066; G01C 2009/068; G01C  
2009/102; G01C 2009/105; G01C  
2009/107; G01C 2009/182; G01C  
2009/185; G01C 2009/187  
See application file for complete search history.

FIG. 1 is an isometric view of a first embodiment of a box beam level incorporating our new design; FIG. 2 is a first side elevation view thereof; FIG. 3 is a second side elevation view thereof; FIG. 4 is a top plan view thereof; FIG. 5 is a bottom plan view thereof; FIG. 6 is a first end elevation view thereof; FIG. 7 is a second end elevation view thereof; FIG. 8 is an isometric view of a second embodiment of a box beam level incorporating our new design; FIG. 9 is a first side elevation view thereof; FIG. 10 is a second side elevation view thereof; FIG. 11 is a top plan view thereof; FIG. 12 is a bottom plan view thereof; FIG. 13 is a first end elevation view thereof; FIG. 14 is a second end elevation view thereof; FIG. 15 is an isometric view of a second embodiment of a box beam level incorporating our new design; FIG. 16 is a first side elevation view thereof; FIG. 17 is a second side elevation view thereof; FIG. 18 is a top plan view thereof; FIG. 19 is a bottom plan view thereof; FIG. 20 is a first end elevation view thereof; and, FIG. 21 is a second end elevation view thereof. The article is shown with a symbolic break in its length and width. The appearance of any portion of the article between the break lines forms no part of the claimed design.

(56) **References Cited**  
U.S. PATENT DOCUMENTS

D364,104 S 11/1995 Johnson  
 D459,251 S 6/2002 Scheyer  
 D469,370 S 1/2003 Gruetzmacher et al.

**1 Claim, 18 Drawing Sheets**



(56)

**References Cited**

U.S. PATENT DOCUMENTS

D521,399	S	5/2006	Johnson et al.	
7,073,270	B2	7/2006	Kim	
D555,523	S	11/2007	Nickel et al.	
D573,908	S	7/2008	Levinson	
D582,808	S	12/2008	Cook	
7,509,749	B1	3/2009	Stefanko	
D598,308	S	8/2009	Gofer	
D598,309	S	8/2009	Gofer	
7,797,848	B2	9/2010	Cobb et al.	
D633,400	S	3/2011	Wojciechowski et al.	
D634,221	S	3/2011	Wojciechowski et al.	
D643,320	S	8/2011	Lewis et al.	
D646,594	S	10/2011	Allemand	
D646,595	S	10/2011	Allemand	
D646,596	S	10/2011	Allemand	
D656,425	S	3/2012	Wojciechowski et al.	
8,925,212	B2	1/2015	Allemand	
D730,207	S	5/2015	Ben Josef et al.	
D735,064	S	7/2015	Wojciechowski et al.	
D735,065	S	7/2015	Wojciechowski et al.	
D743,281	S	11/2015	Wojciechowski et al.	
D750,511	S	3/2016	Wojciechowski et al.	
D751,430	S	3/2016	Johnson et al.	
10,731,982	B2 *	8/2020	Neitzell .....	G01C 9/36
2006/0248738	A1	11/2006	Tran et al.	

\* cited by examiner

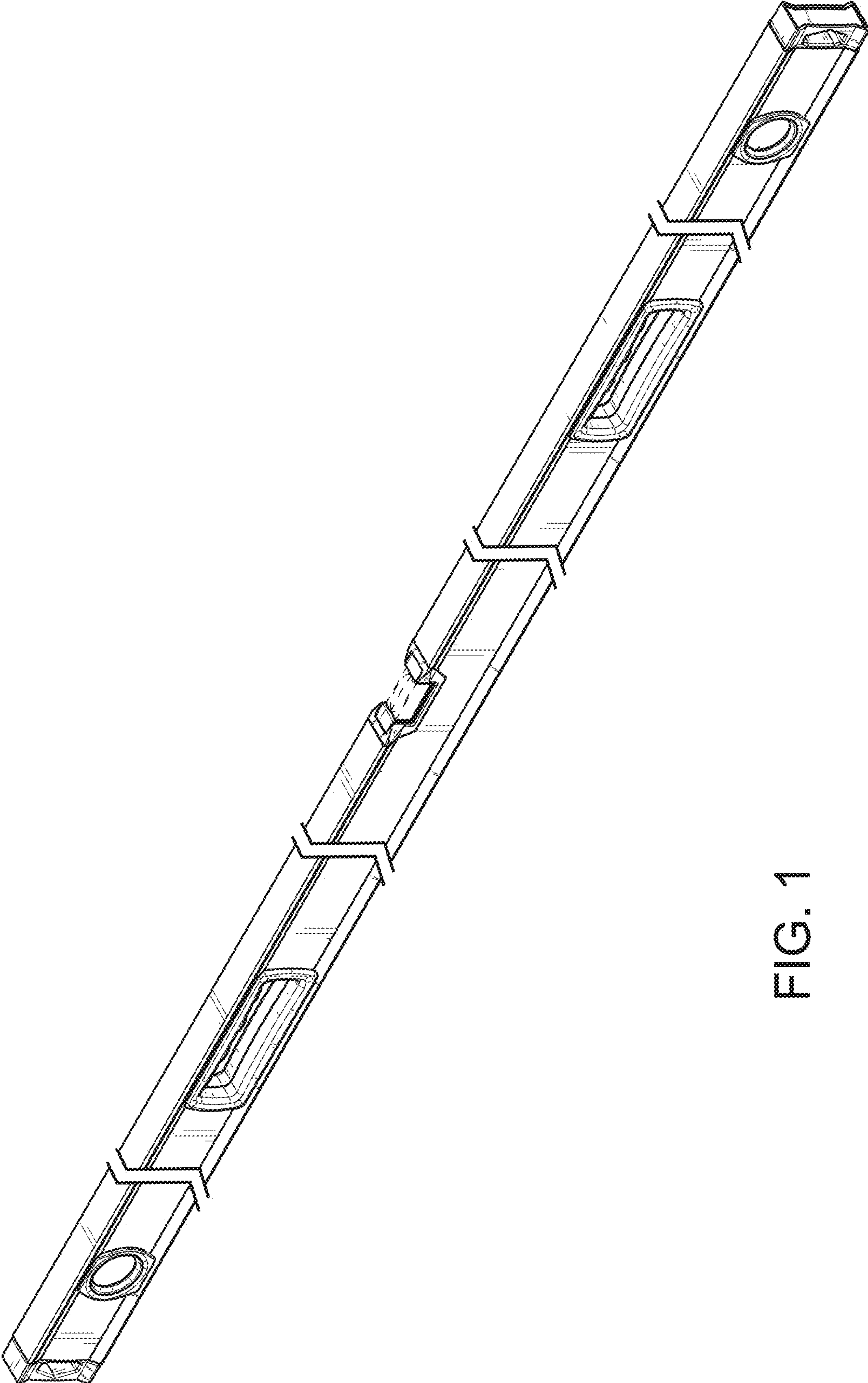


FIG. 1

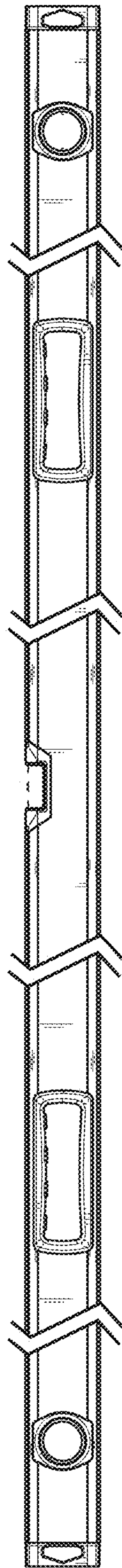


FIG. 2



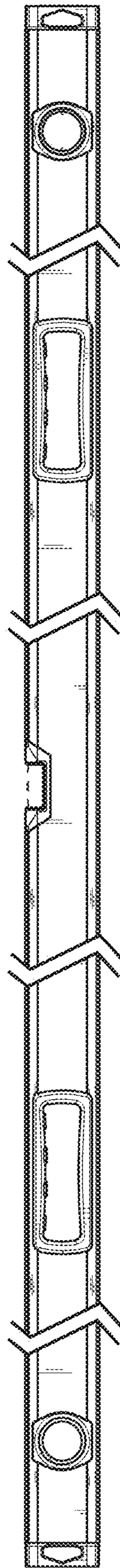


FIG. 3

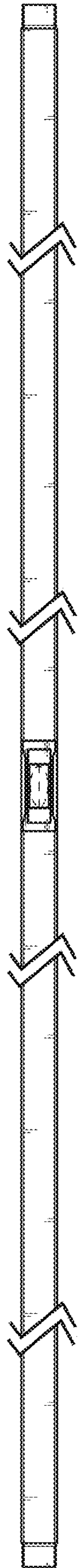


FIG. 4

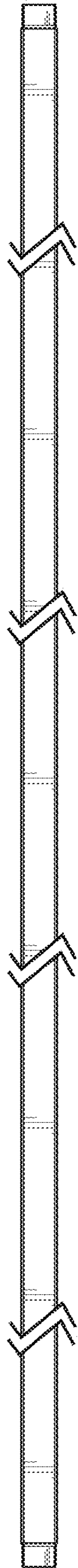


FIG. 5

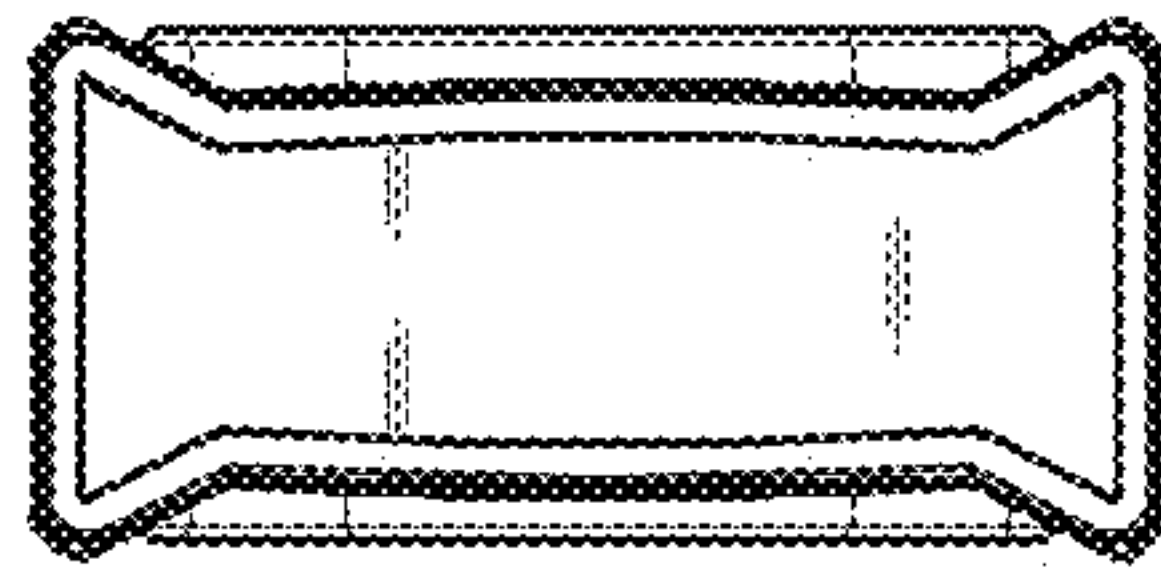


FIG. 7

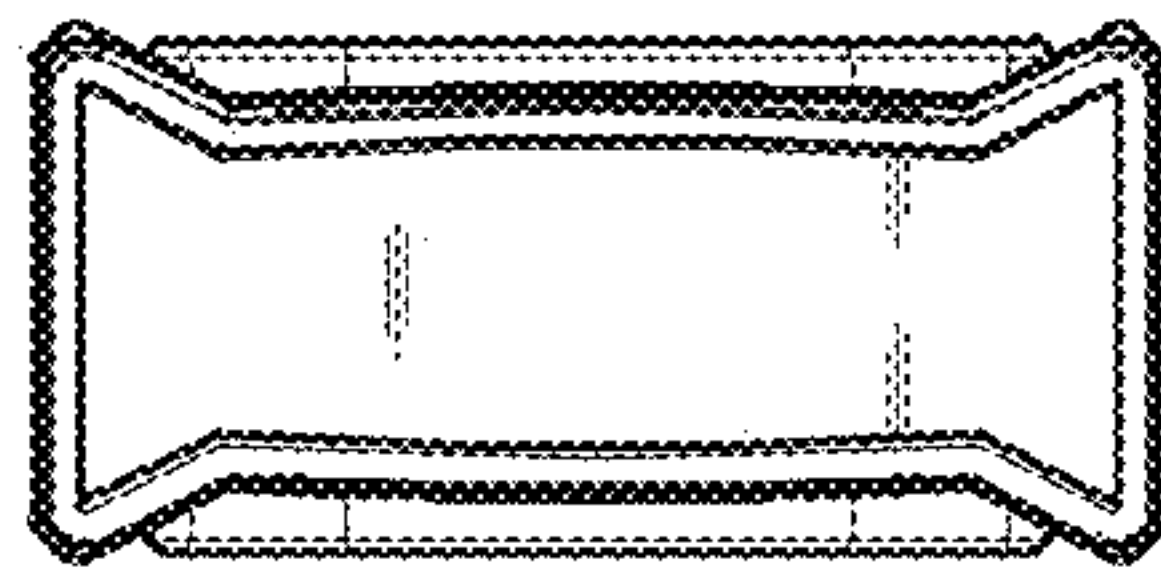


FIG. 6



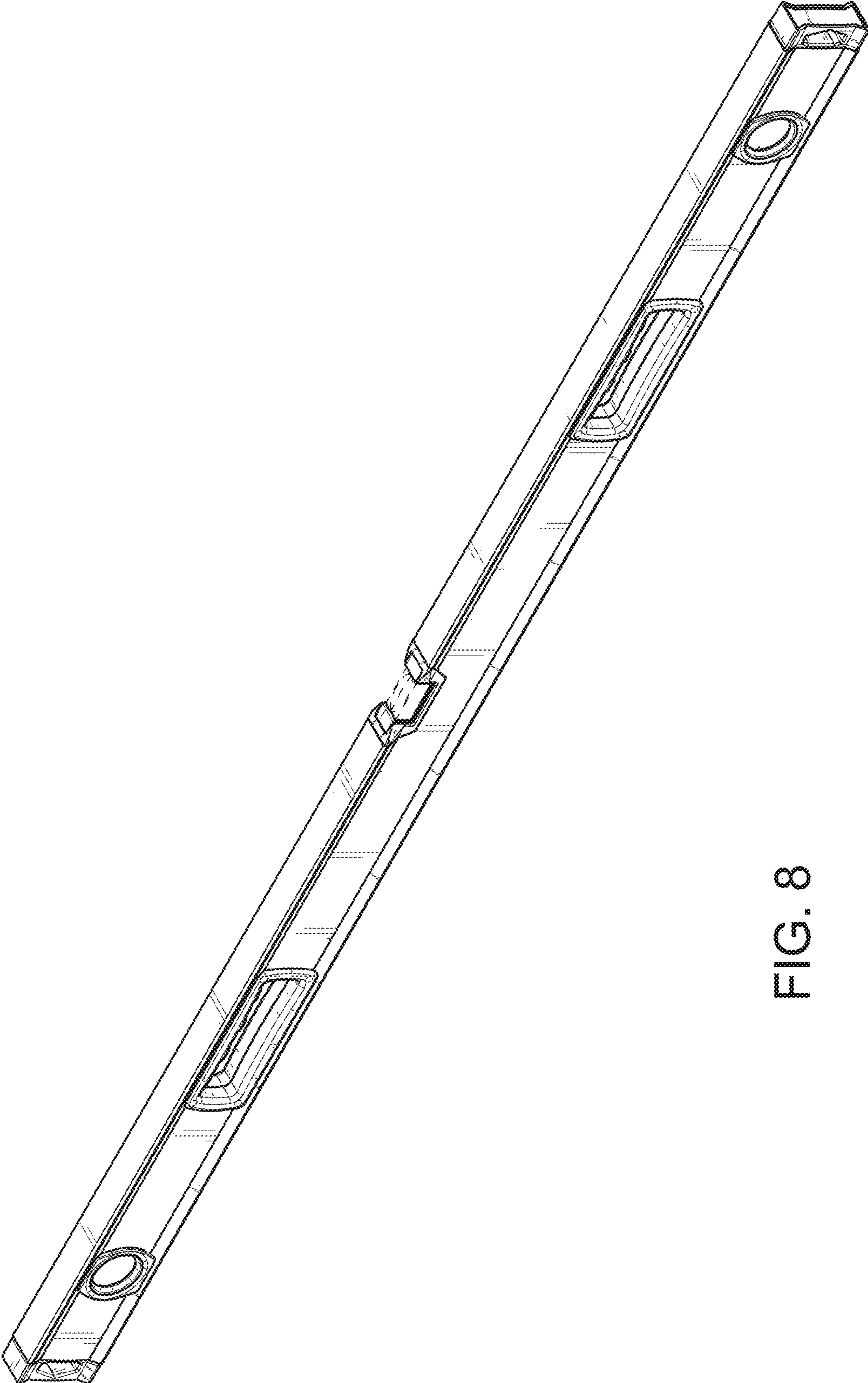


FIG. 8

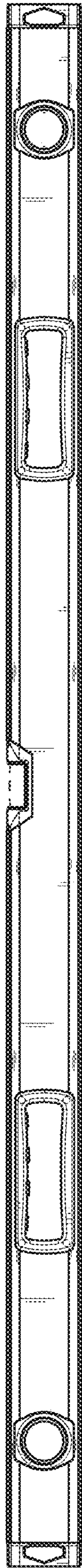


FIG. 9

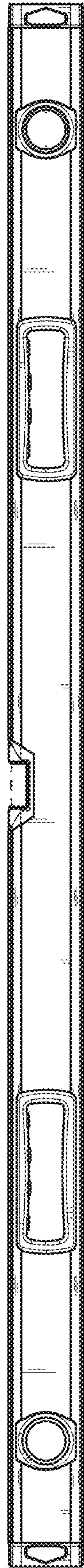


FIG. 10



FIG. 11



FIG. 12

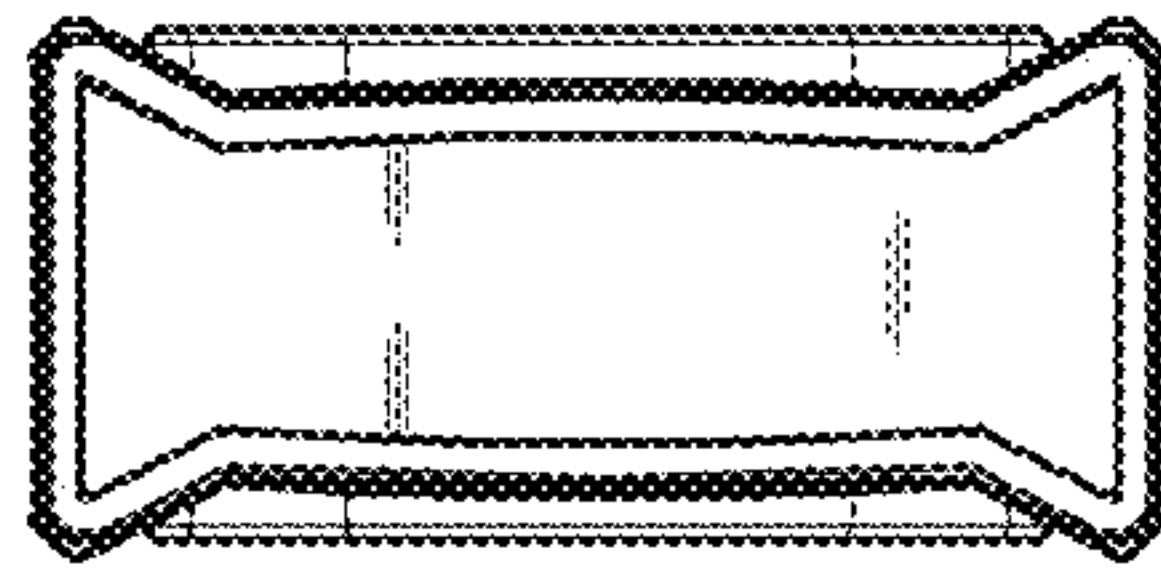


FIG. 14

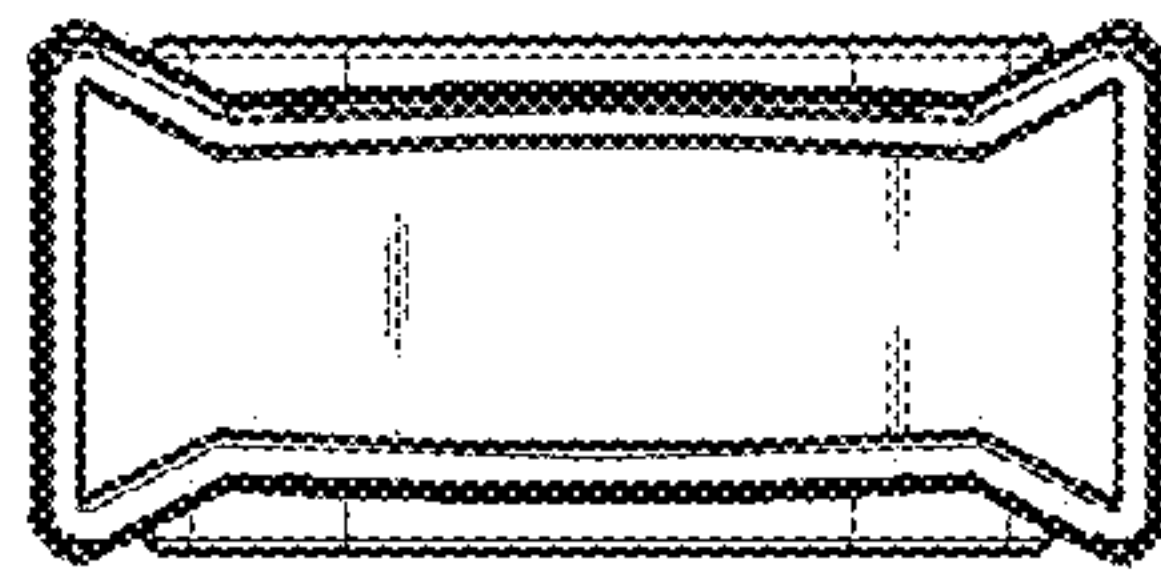


FIG. 13



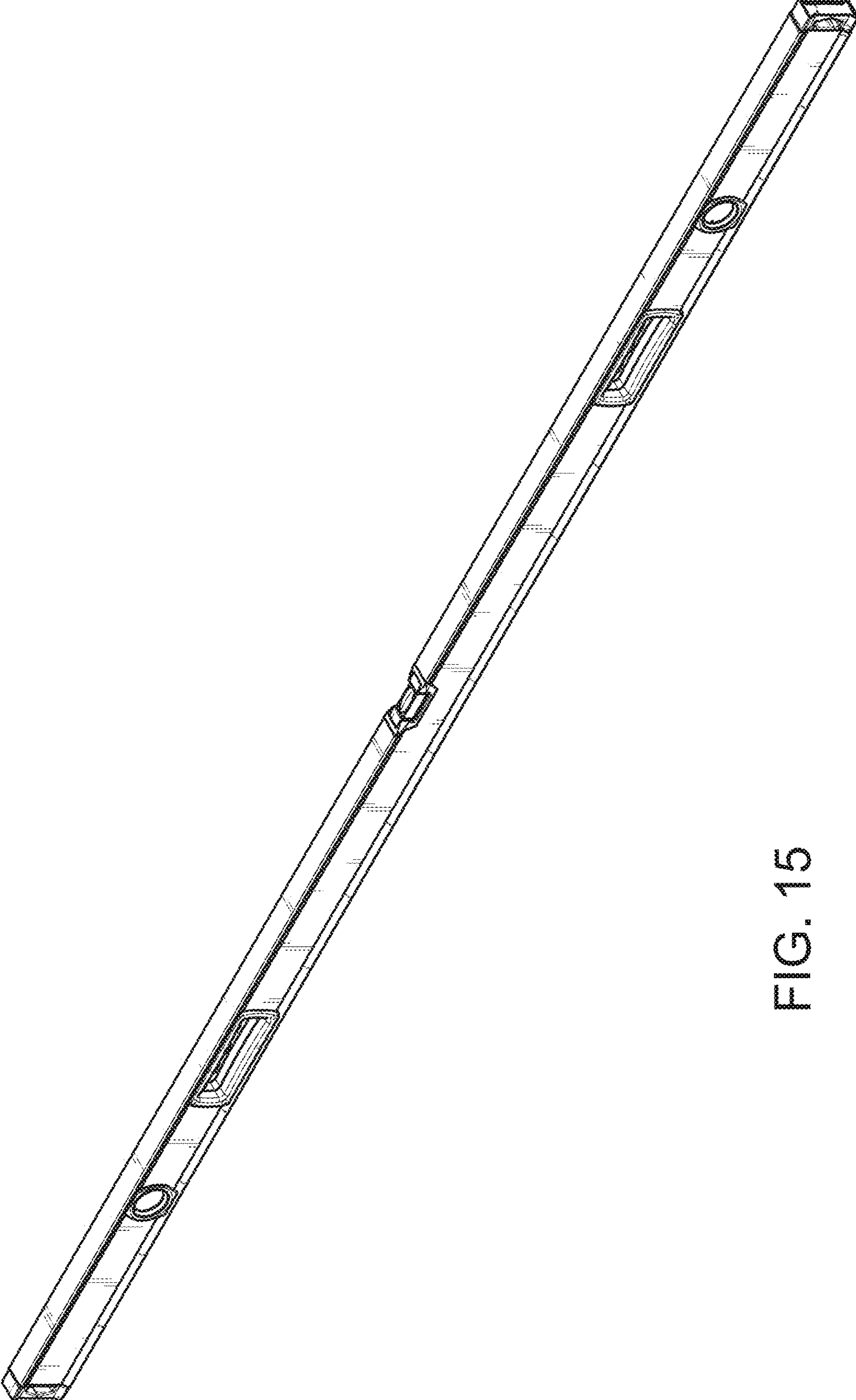


FIG. 15

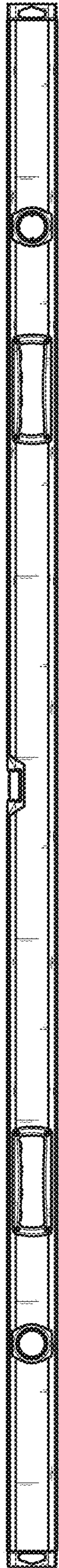


FIG. 16

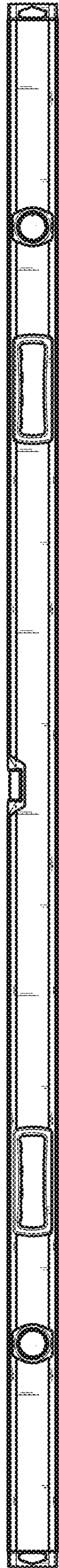


FIG. 17



FIG. 18



FIG. 19

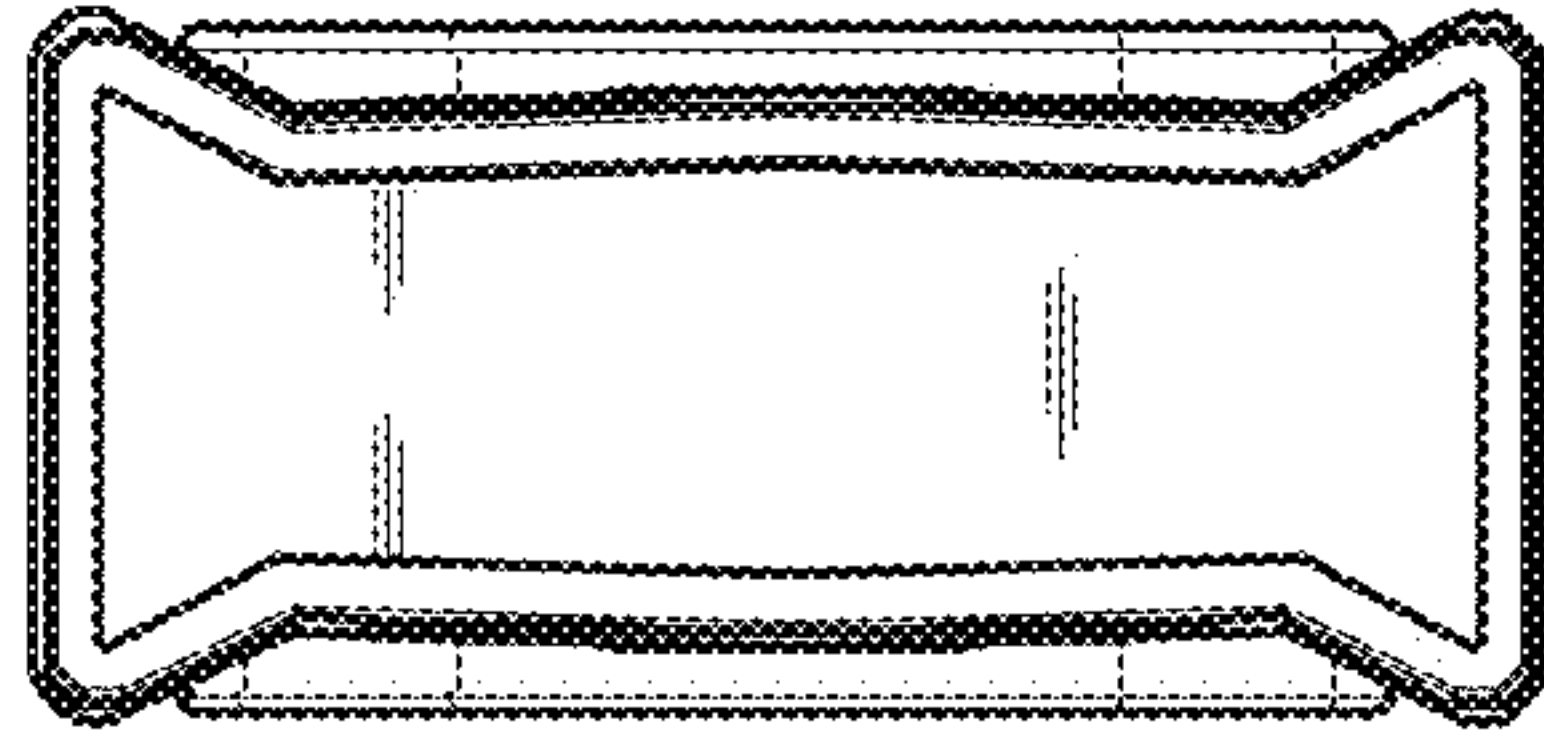


FIG. 21

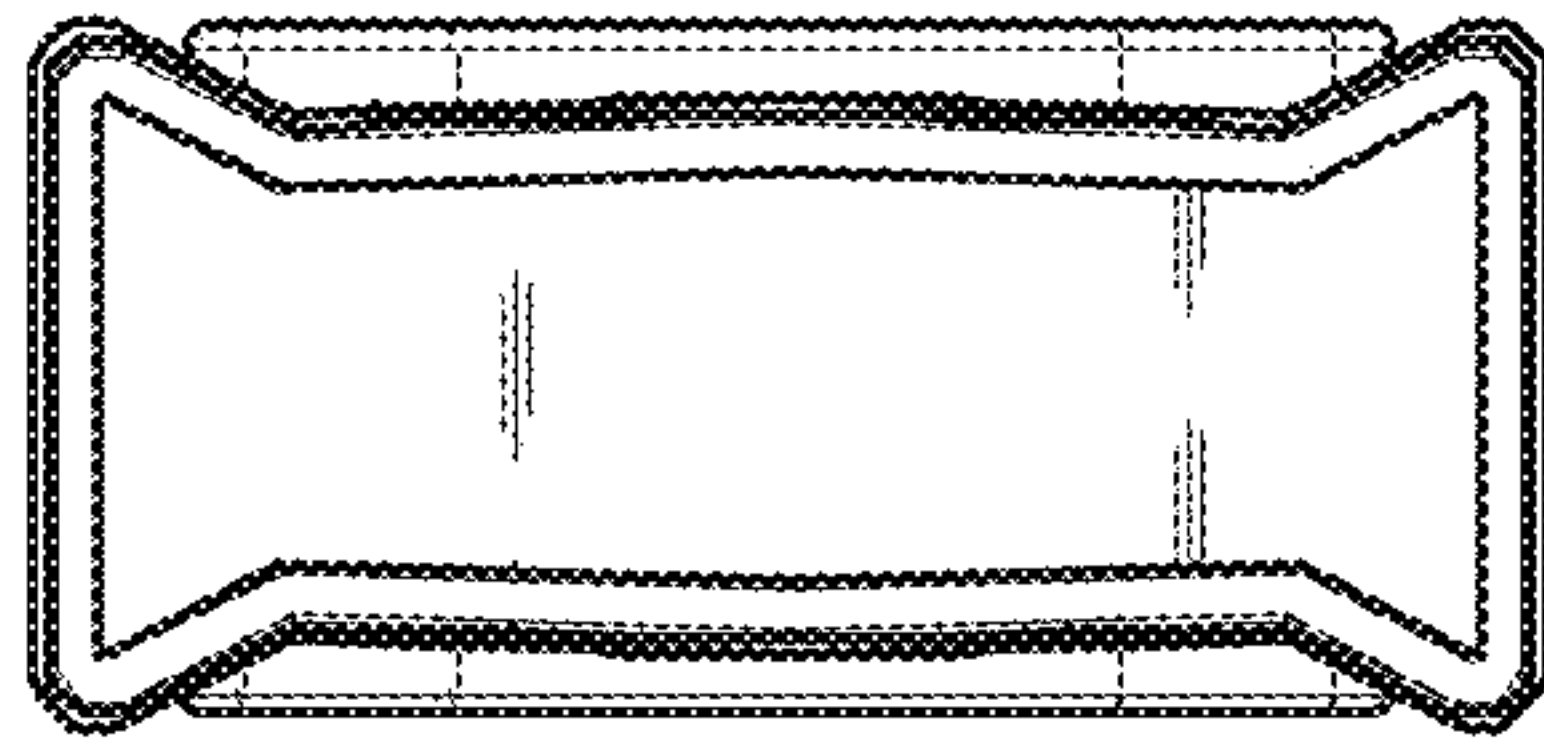


FIG. 20