



US00D955239S

(12) **United States Design Patent**
Wojciechowski et al.

(10) **Patent No.:** **US D955,239 S**
(45) **Date of Patent:** **** Jun. 21, 2022**

- (54) **BOX BEAM LEVEL**
- (71) Applicant: **Johnson Level & Tool Mfg. Co., Inc.**,
Mequon, WI (US)
- (72) Inventors: **Timothy J. Wojciechowski**, Hubertus,
WI (US); **David Mencil**, Menomonee
Falls, WI (US)
- (73) Assignee: **Johnson Level & Tool Mfg. Co., Inc.**,
Mequon, WI (US)
- (**) Term: **15 Years**
- (21) Appl. No.: **29/749,217**
- (22) Filed: **Sep. 3, 2020**
- (51) **LOC (13) Cl.** **10-04**
- (52) **U.S. Cl.**
USPC **D10/69**
- (58) **Field of Classification Search**
USPC D10/69
CPC ... G01C 9/24; G01C 9/26; G01C 9/28; G01C
9/30; G01C 9/32; G01C 9/34; G01C
9/36; G01C 9/00; G01C 9/005; G01C
9/02; G01C 9/04; G01C 9/06; G01C
9/08; G01C 9/10; G01C 9/12; G01C
9/14; G01C 9/16; G01C 9/18; G01C
9/20; G01C 9/22; G01C 2009/005; G01C
2009/062; G01C 2009/064; G01C
2009/066; G01C 2009/068; G01C
2009/102; G01C 2009/105; G01C
2009/107; G01C 2009/182; G01C
2009/185; G01C 2009/187
See application file for complete search history.

- (56) **References Cited**
U.S. PATENT DOCUMENTS
D315,521 S * 3/1991 Greenland D10/69
D364,104 S 11/1995 Johnson

- D459,251 S 6/2002 Scheyer
- D469,370 S 1/2003 Gruetzmacher et al.
- D493,737 S 8/2004 Nickel
- D498,132 S 11/2004 Lai
- D513,391 S 1/2006 Kim
- D521,399 S 5/2006 Johnson et al.
- 7,073,270 B2 7/2006 Kim
- D555,523 S 11/2007 Nickel et al.
- D573,908 S 7/2008 Levinson
- D582,808 S 12/2008 Cook
- 7,509,749 B1 3/2009 Stefanko
- D598,308 S 8/2009 Gofer
- D598,309 S 8/2009 Gofer
- 7,797,848 B2 9/2010 Cobb et al.
- D633,400 S 3/2011 Wojciechowski et al.
- D634,221 S 3/2011 Wojciechowski et al.
- D643,320 S 8/2011 Lewis et al.
- D646,594 S 10/2011 Allemand
- D646,595 S 10/2011 Allemand
- D646,596 S 10/2011 Allemand
- D656,425 S 3/2012 Wojciechowski et al.
- 8,925,212 B2 1/2015 Allemand
- D730,207 S 5/2015 Ben Josef et al.

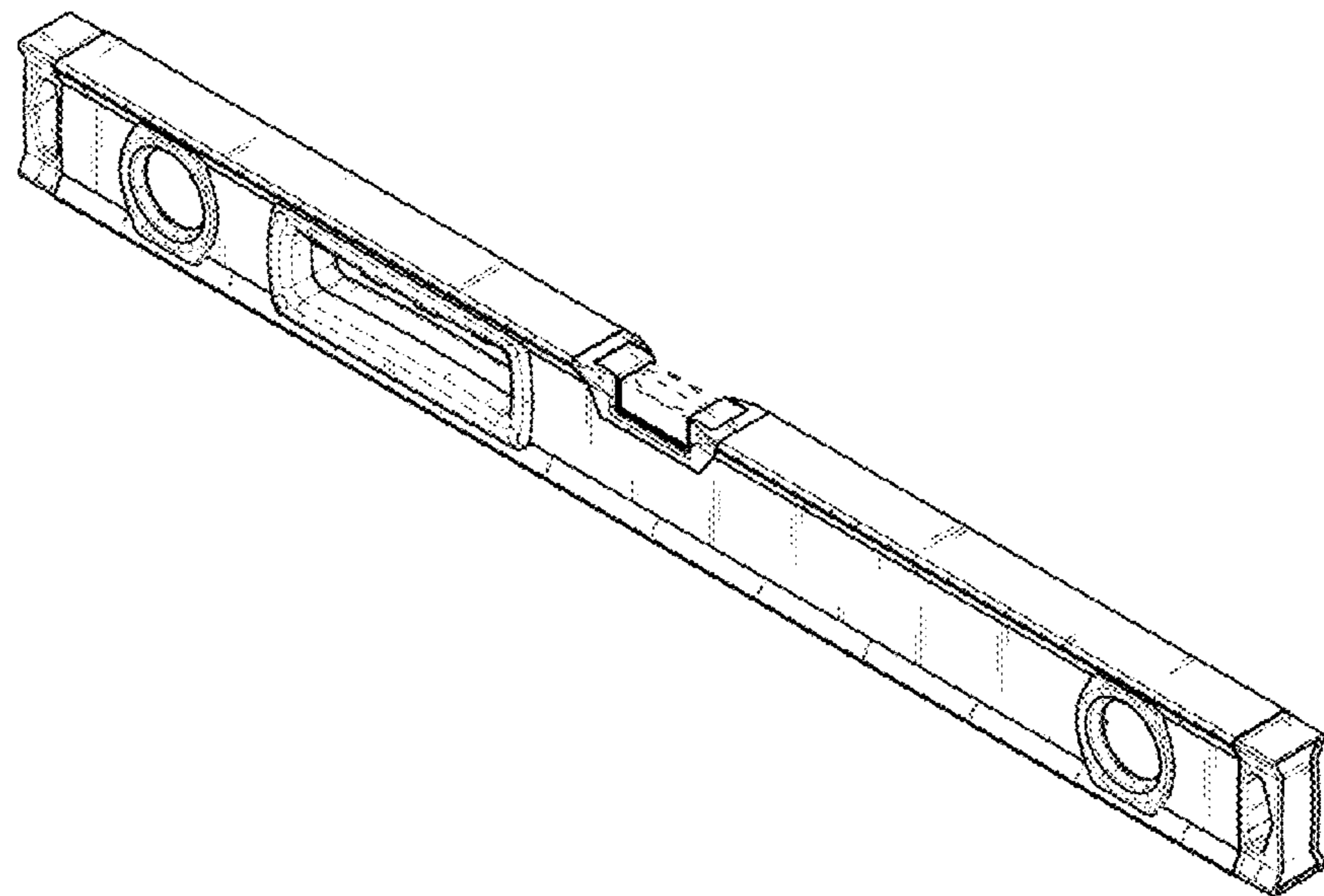
(Continued)

Primary Examiner — Antoine Duval Davis
(74) *Attorney, Agent, or Firm* — Boyle Fredrickson S.C.

(57) **CLAIM**
The ornamental design of a box beam level, as shown and described.

DESCRIPTION
FIG. 1 is an isometric view of a box beam level incorporating our new design, wherein the portions in phantom form no part of the claimed design;
FIG. 2 is a first side elevation view thereof;
FIG. 3 is a second side elevation view thereof;
FIG. 4 is a top plan view thereof;
FIG. 5 is a bottom plan view thereof;
FIG. 6 is a first end elevation view thereof; and,
FIG. 7 is a second end elevation view thereof.

1 Claim, 6 Drawing Sheets



(56)

References Cited

U.S. PATENT DOCUMENTS

D735,064	S	7/2015	Wojciechowski et al.	
D735,065	S	7/2015	Wojciechowski et al.	
D743,281	S	11/2015	Wojciechowski et al.	
D750,511	S	3/2016	Wojciechowski et al.	
D751,430	S	3/2016	Johnson et al.	
D936,499	S *	11/2021	Wojciechowski G01C 9/34 D10/69
D936,502	S *	11/2021	Wojciechowski D10/69
D936,503	S *	11/2021	Wojciechowski G01C 9/34 D10/69
2006/0248738	A1	11/2006	Tran et al.	
2020/0256673	A1 *	8/2020	Wojciechowski G01C 9/34
2020/0271448	A1 *	8/2020	Wojciechowski G01C 9/34

* cited by examiner

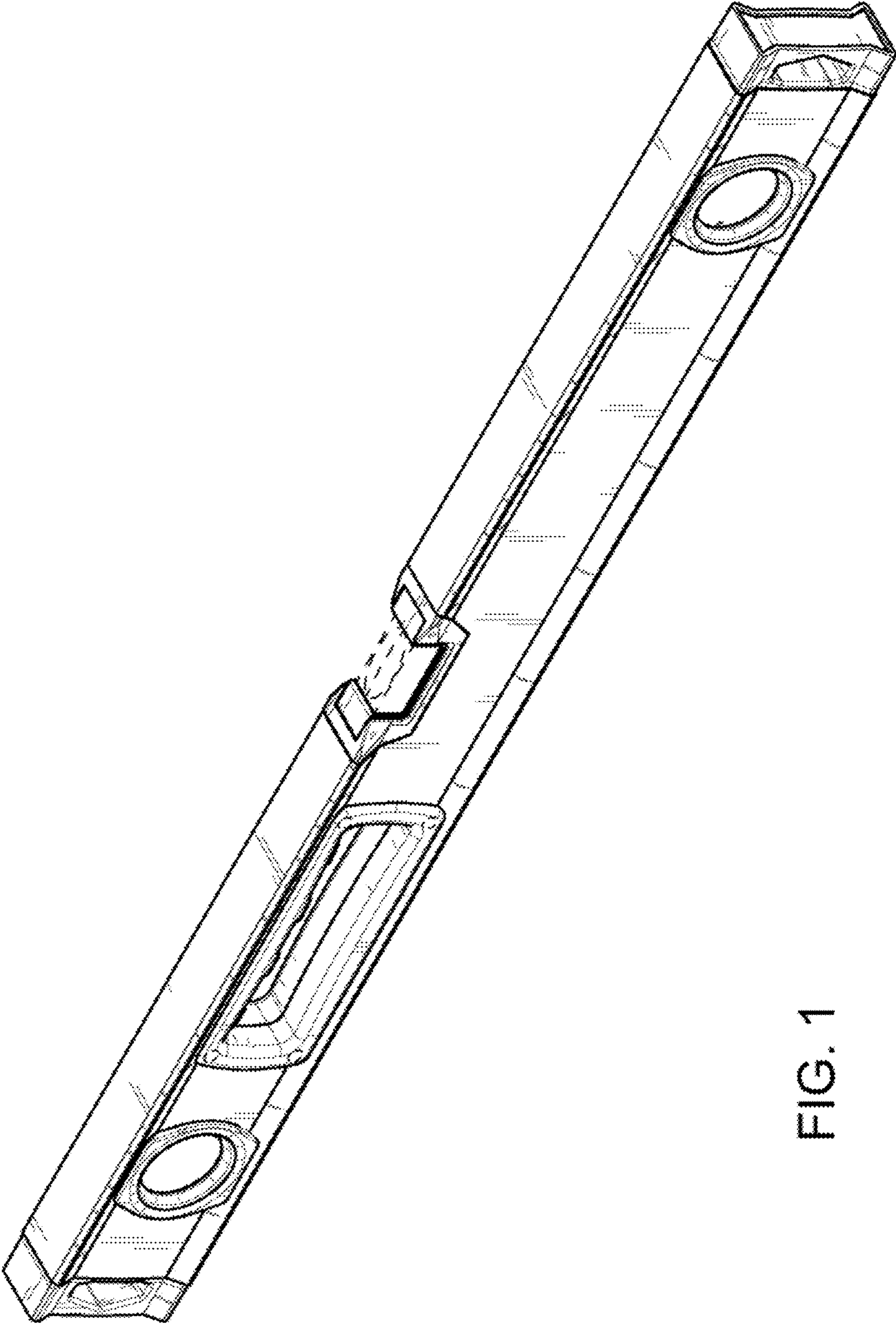


FIG. 1

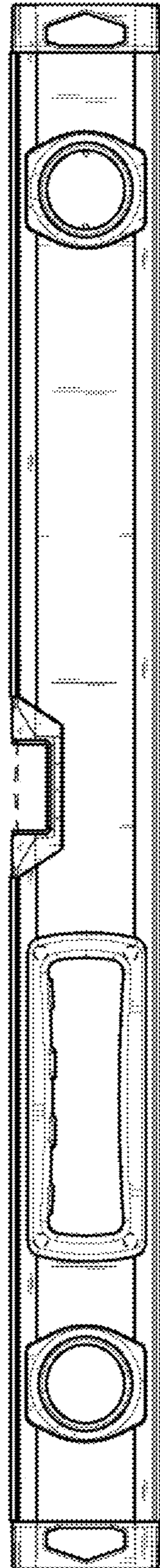


FIG. 2

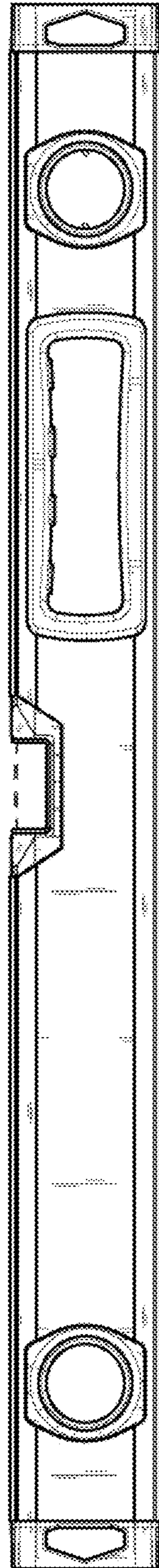


FIG. 3



FIG. 4

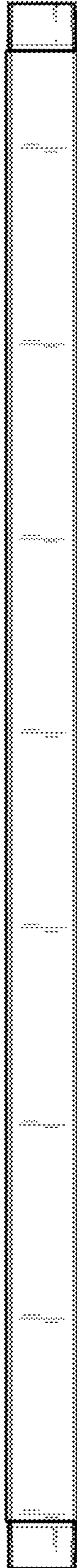


FIG. 5

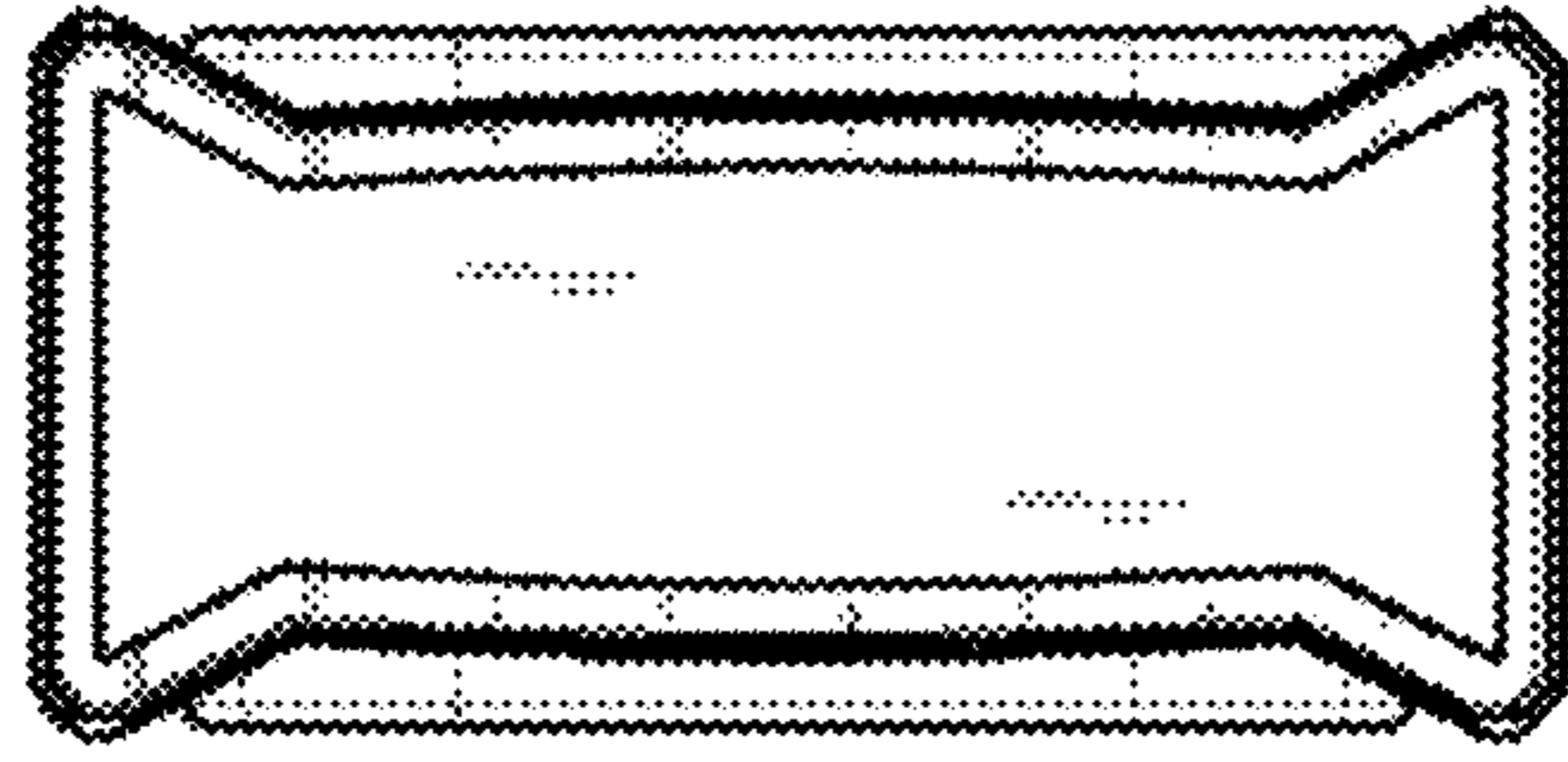


FIG. 7

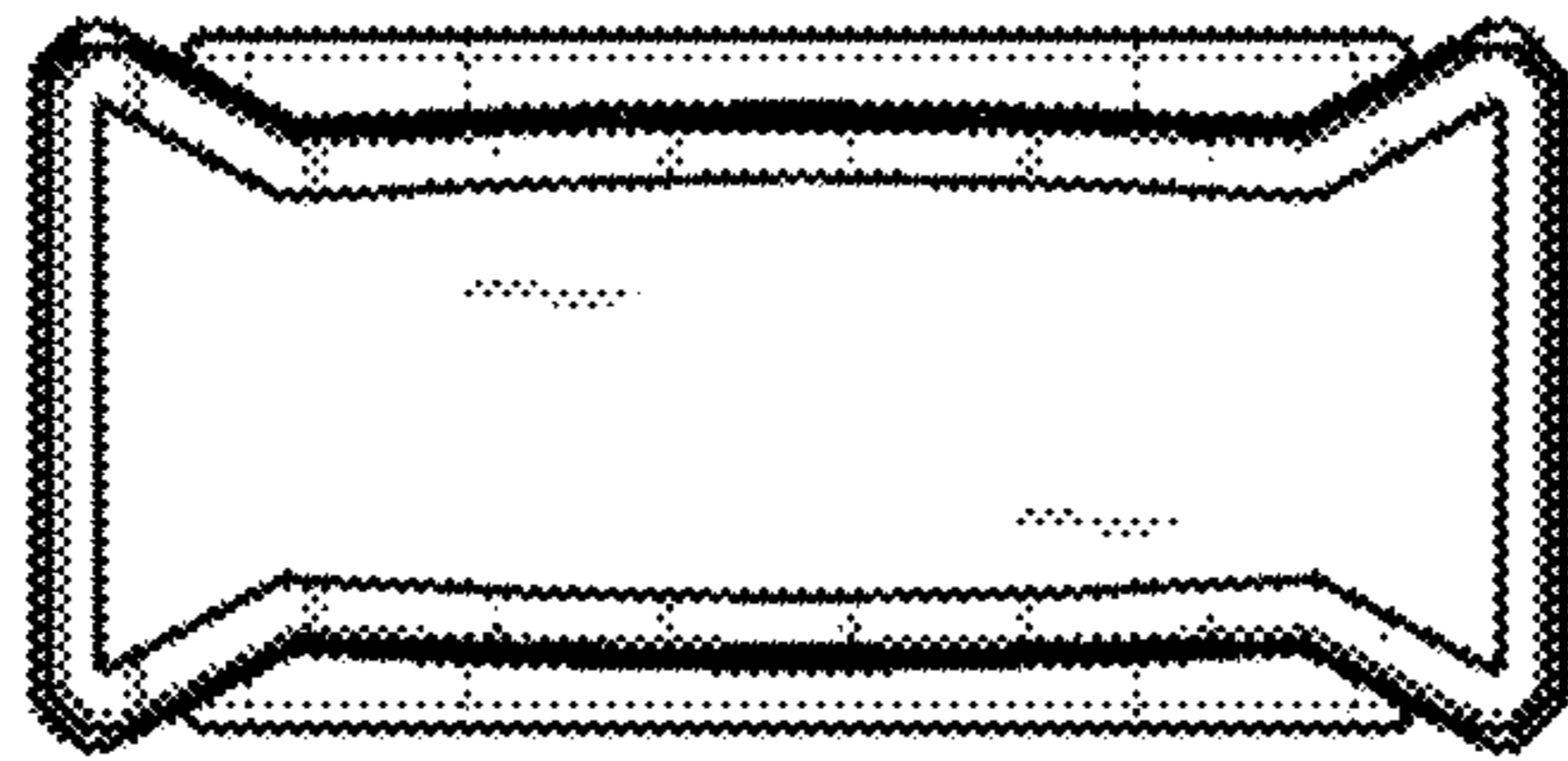


FIG. 6