



US00D955238S

(12) **United States Design Patent**
Lenz et al.

(10) **Patent No.:** **US D955,238 S**
(45) **Date of Patent:** **** Jun. 21, 2022**

(54) **NAVIGATION DEVICE**

- (71) Applicant: **Garmin Switzerland GmbH**,
Schaffhausen (CH)
- (72) Inventors: **Derrick D. Lenz**, Olathe, KS (US); **Kai Liau**, Leawood, KS (US); **Marcus A. Moilanen**, Olathe, KS (US); **Ryan A. Hoban**, Overland Park, KS (US); **Christopher G. Perra**, Kansas City, MO (US); **Yi-Chieh Lin**, New Taipei (TW)
- (73) Assignee: **Garmin Switzerland GmbH**
- (**) Term: **15 Years**
- (21) Appl. No.: **29/729,940**
- (22) Filed: **Mar. 31, 2020**
- (51) **LOC (13) Cl.** **10-04**
- (52) **U.S. Cl.**
USPC **D10/65**
- (58) **Field of Classification Search**
USPC D10/96-103, 65-80, 61
CPC G01C 21/3647; G01C 21/36;
G01C 21/3691; G01C 21/367; G01C
21/3697; G01C 21/343; G01C 21/3617;
G01C 21/26; G01C 21/20; G01C 21/165;
G01C 17/38; G01C 25/00; G09B 29/004;
G09B 29/10; G08G 1/162; G08G 1/164;
G08G 1/09626
See application file for complete search history.

(56) **References Cited**

U.S. PATENT DOCUMENTS

D571,234 S	*	6/2008	Reeson	D10/65
D627,667 S	*	11/2010	Lenz	D10/65
D677,181 S	*	3/2013	Lenz	D10/70
D719,858 S	*	12/2014	Stevens	D10/70
D750,510 S	*	3/2016	Lenz	D10/70
D751,933 S		3/2016	Lenz et al.		
D789,811 S	*	6/2017	Lenz	D10/65

(Continued)

FOREIGN PATENT DOCUMENTS

CN	302220836	*	7/2012
CN	302672267	*	12/2013

(Continued)

OTHER PUBLICATIONS

Garmin Store, Tread Powersport Off-Road Navigator, Date first available Mar. 10, 2021,[online]retrieved Mar. 18, 2022,available from https://www.amazon.com/Garmin-Powersport-Navigator-Communication-010-02406-00/dp/B08WHHFB6V/ref=psdc_319582011_t3_B09R96BQ1J (Year: 2021).*

(Continued)

Primary Examiner — Keli L Hill

Assistant Examiner — Sara S Sahneh

(74) *Attorney, Agent, or Firm* — Samuel M. Korte; Max M. Ali

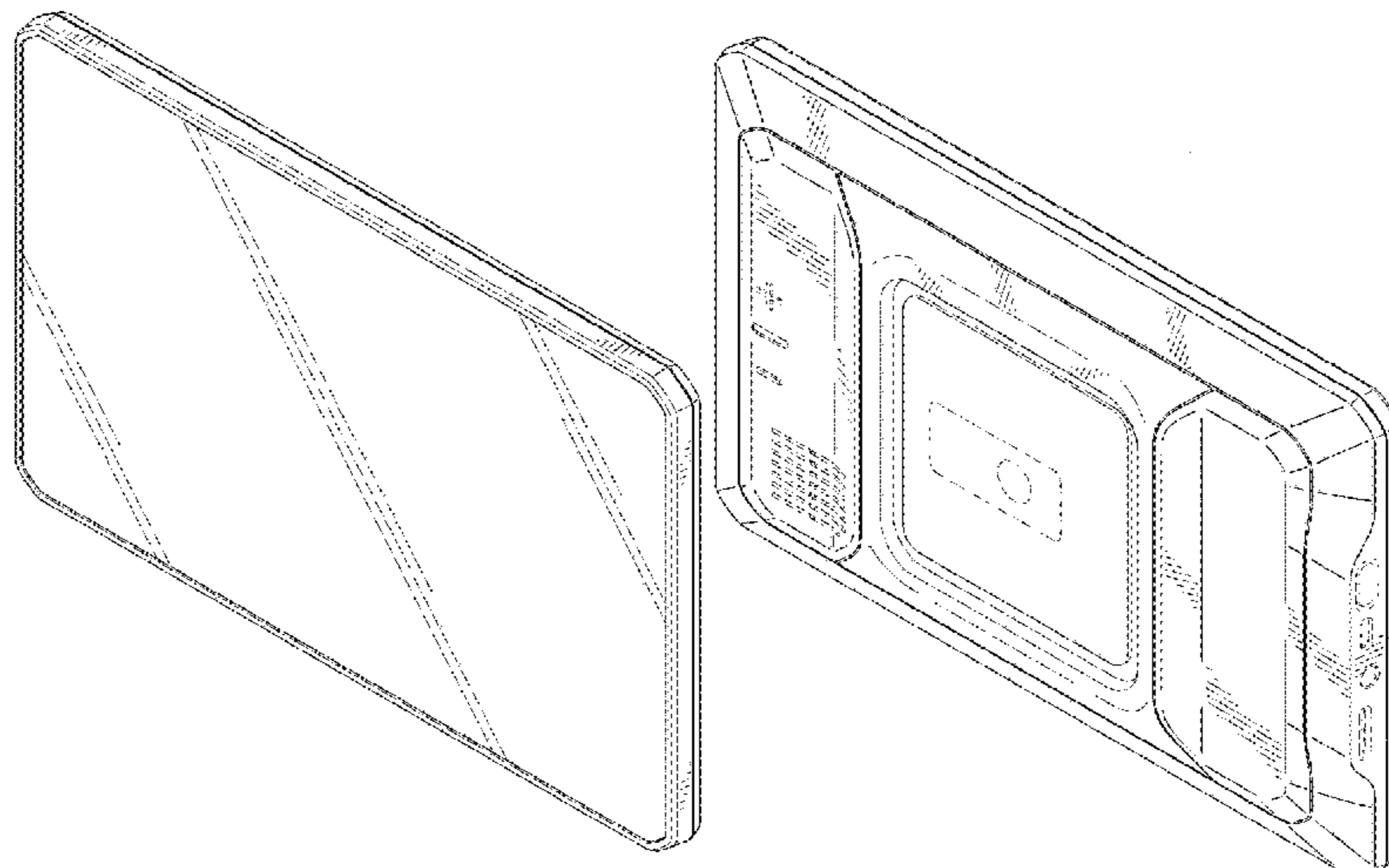
(57) **CLAIM**

The ornamental design for a navigation device, as shown and described.

DESCRIPTION

FIG. 1 is a front perspective view of a navigation device according to the present invention; FIG. 2 is a rear perspective view of the navigation device; FIG. 3 is a front view of the navigation device; FIG. 4 is a rear view of the navigation device; FIG. 5 is a top view of the navigation device; FIG. 6 is a bottom view of the navigation device; FIG. 7 is a left side view of the navigation device; and, FIG. 8 is a right side view of the navigation device. The broken lines shown in the drawings represent portions of the navigation device that form no part of the claimed design.

1 Claim, 4 Drawing Sheets



(56)

References Cited

U.S. PATENT DOCUMENTS

D789,812 S 6/2017 Lenz et al.
 D808,829 S * 1/2018 Dempsey D10/65
 D926,097 S * 7/2021 Trabucco D10/65
 2011/0065473 A1* 3/2011 Kimishima G01P 3/50
 73/1.37
 2011/0166775 A1* 7/2011 Takeuchi G01C 21/343
 701/533
 2011/0175751 A1* 7/2011 Khachaturian G01C 21/3697
 340/905
 2012/0226437 A1* 9/2012 Li G01C 21/3647
 701/423
 2016/0054137 A1* 2/2016 Wheatman G01C 21/36
 701/425

FOREIGN PATENT DOCUMENTS

CN 303102088 * 4/2014
 CN 305400719 * 4/2019
 EM 001157341-0001 * 8/2009
 EM 003114503-0001 * 5/2016

OTHER PUBLICATIONS

PlayBetter Store, Garmin Catalyst Driving Performance Optimizer, Date first available Sep. 15, 2021, [online]retrieved Mar. 18, 2022,available from https://www.amazon.com/Performance-RideBetter-Protective-PlayBetter-010-02345-00/dp/B09G9XWRQY/ref=sr_1_

1_sspa?crd=3QZTD0OD9P81Z&keywords=Garmin%2BCataly (Year: 2021).*

Garmin Store, Tread XL Overland, All-Terrain 10" GPS Navigator, Date first available Jan. 26, 2022, [online]retrieved Mar. 18, 2022, available from https://www.amazon.com/dp/B09R96BQ1J/ref=sspa_dk_detail_1?pd_rd_i=B09R96BQ1J&pd_rd_w=EKQne&pf_rd_p=b9951ce4-3bd8-4b04-9123-0fda35d6155e&pd_rd_wg=EQZ2j&pf_rd_r (Year: 2022).*

Amazon Renewed Store, Garmin dēzlCam 785 LMT-S GPS Truck Navigator, Date first available Jul. 9, 2019,[online]retrieved Mar. 18, 2022,available from https://www.amazon.com/dp/B07V576T4G/ref=sspa_dk_detail_5?psc=1&pd_rd_i=B07V576T4G&pd_rd_w=CY4Yv&pf_rd_p=b9951ce4-3bd8-4b04-9123-0fda35d6155e&pd_rd_wg=WiXIM&p (Year: 2019).*

Printout from <https://buy.garmin.com/en-US/US/p/162982/pn/010-01343-00>, published prior to Mar. 31, 2020.

Printout from <https://buy.garmin.com/en-US/US/p/589525/pn/010-01855-00>, published prior to Mar. 31, 2020.

Printout from <https://buy.garmin.com/en-US/US/p/589643/pn/010-01858-02>, published prior to Mar. 31, 2020.

Printout from <https://buy.garmin.com/en-US/US/p/610131/pn/010-02019-00>, published prior to Mar. 31, 2020.

Printout from <https://buy.garmin.com/en-US/US/p/612620>, published prior to Mar. 31, 2020.

Printout from <https://buy.garmin.com/en-US/US/p/679804>, published prior to Mar. 31, 2020.

Printout from <https://www.milesdata.com/products/mobile-computing/rugged-tablets/zebra-xslate-r12-rugged-tablet/>, published prior to Mar. 31, 2020.

* cited by examiner

Fig. 1

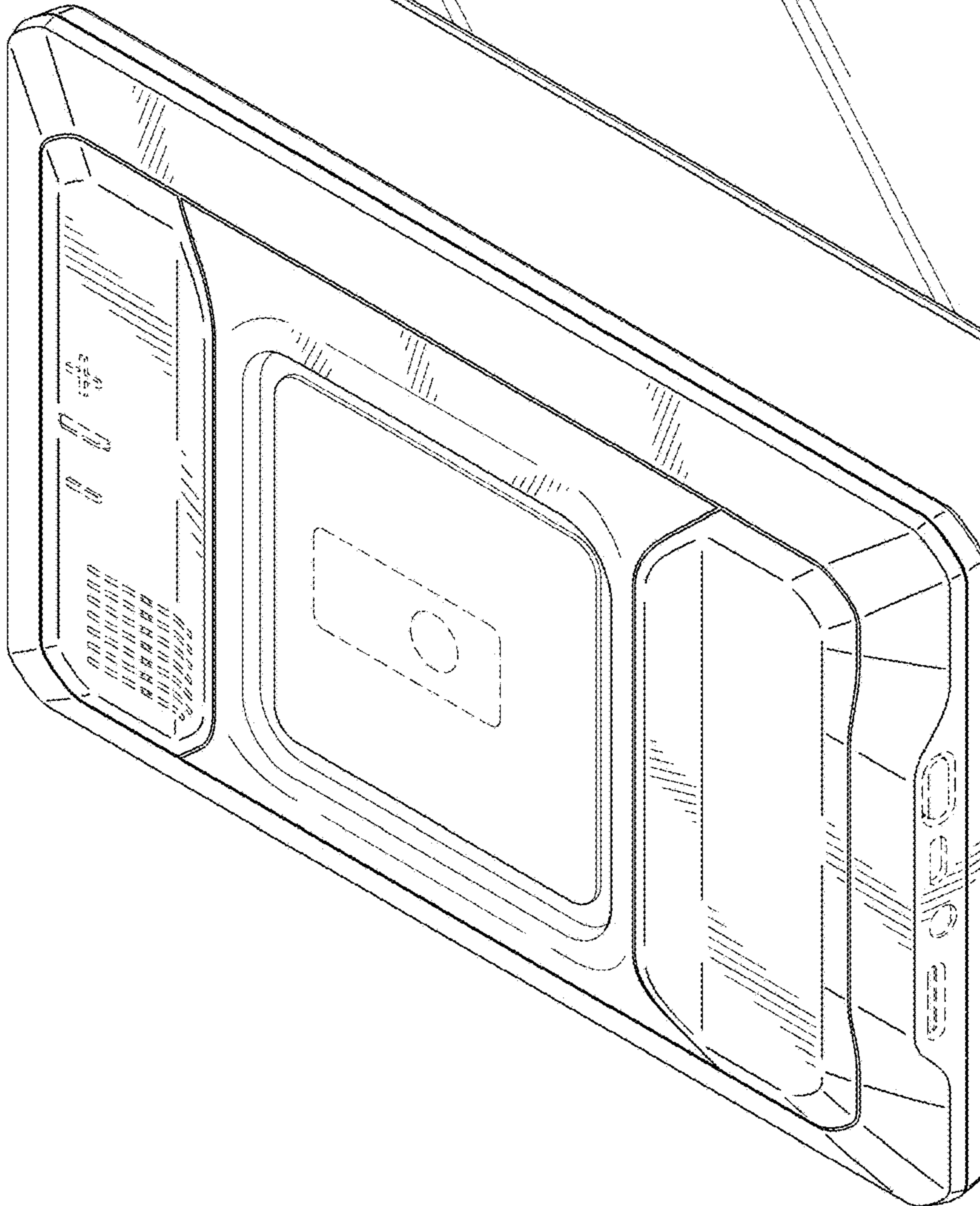
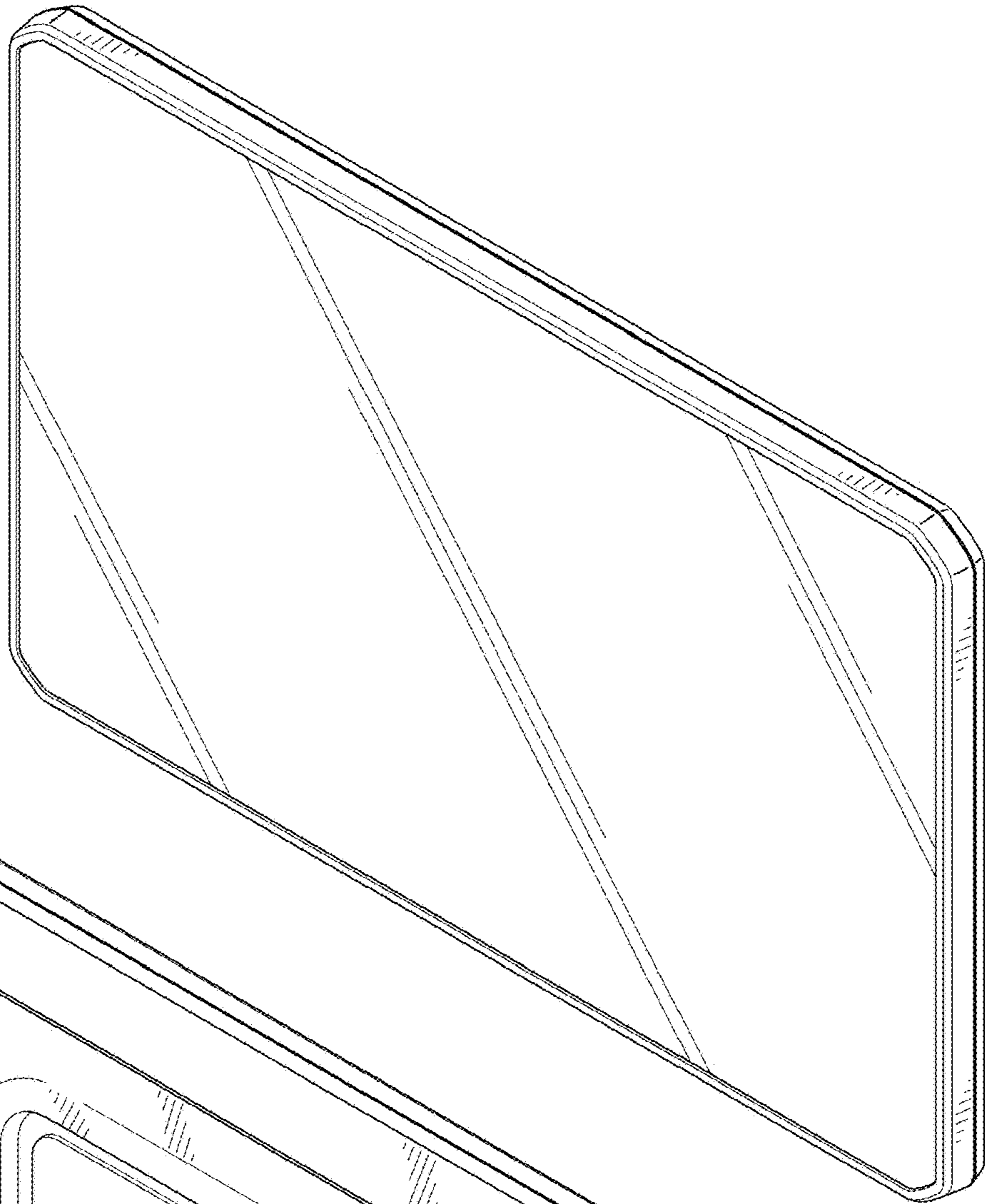


Fig. 2

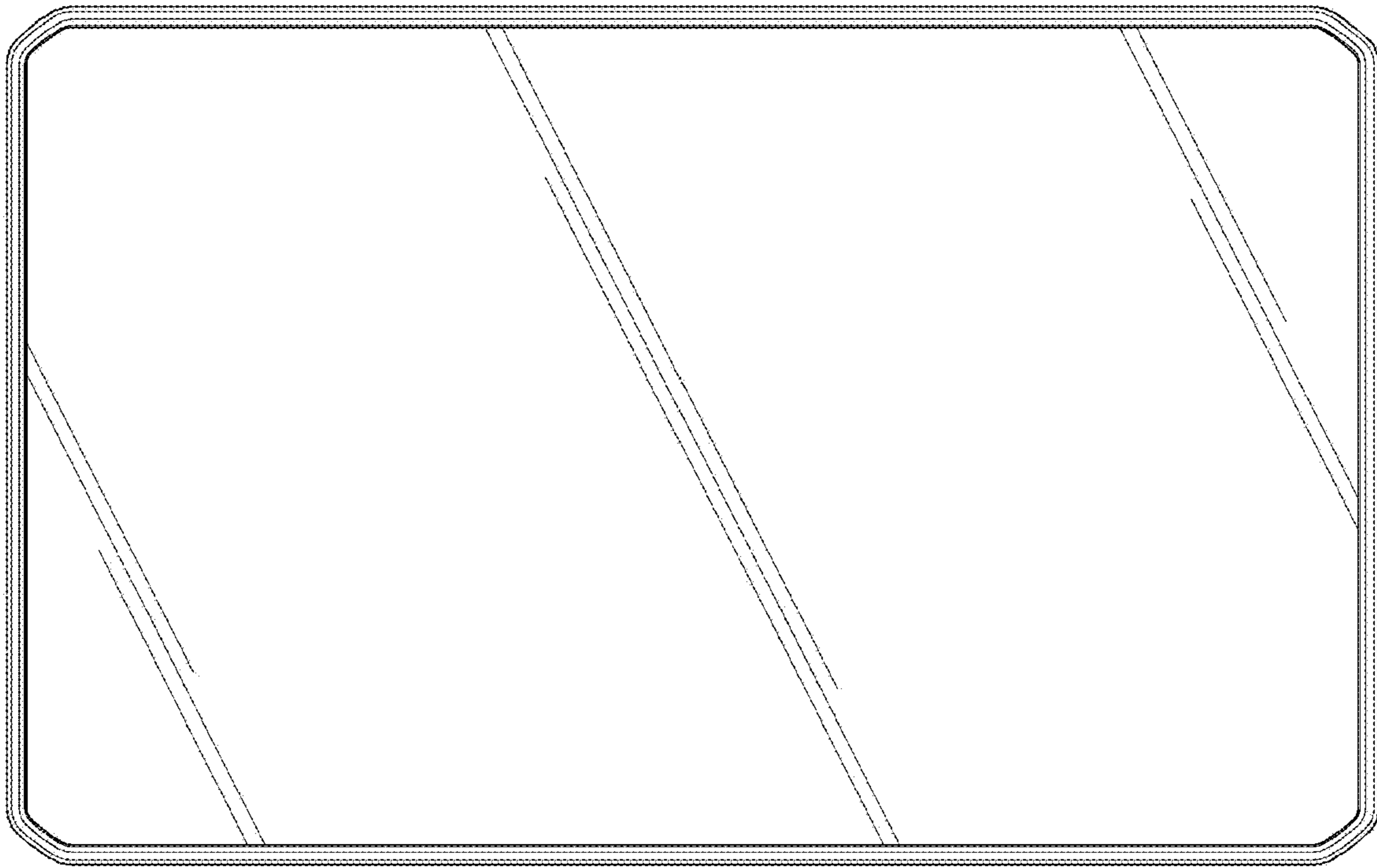


Fig. 3

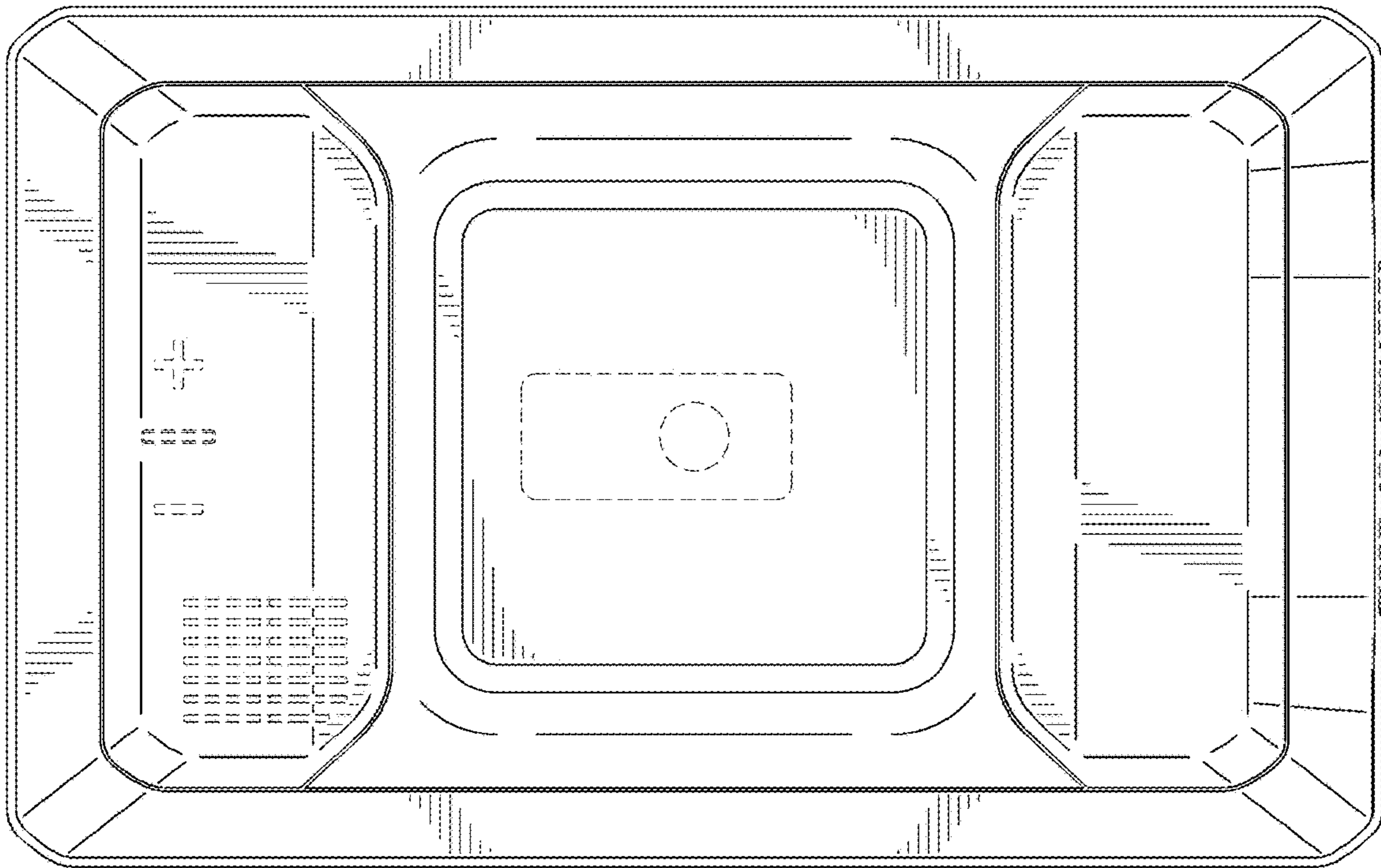


Fig. 4

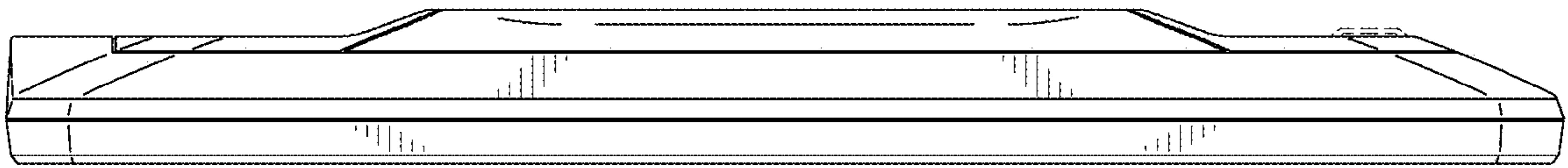


Fig. 5

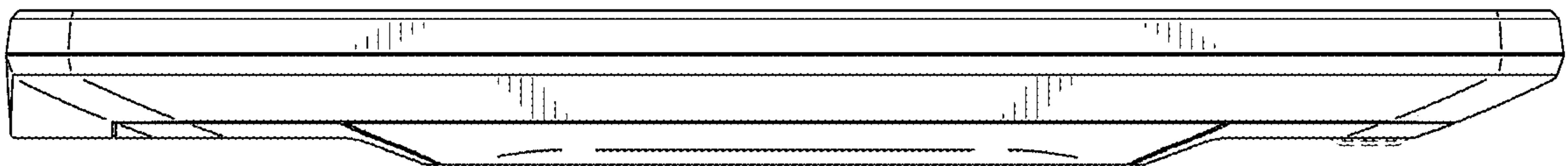


Fig. 6

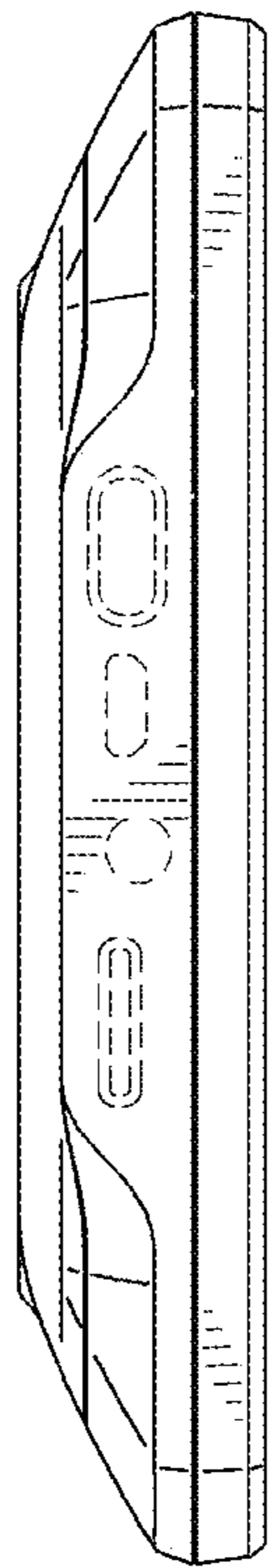


Fig. 7

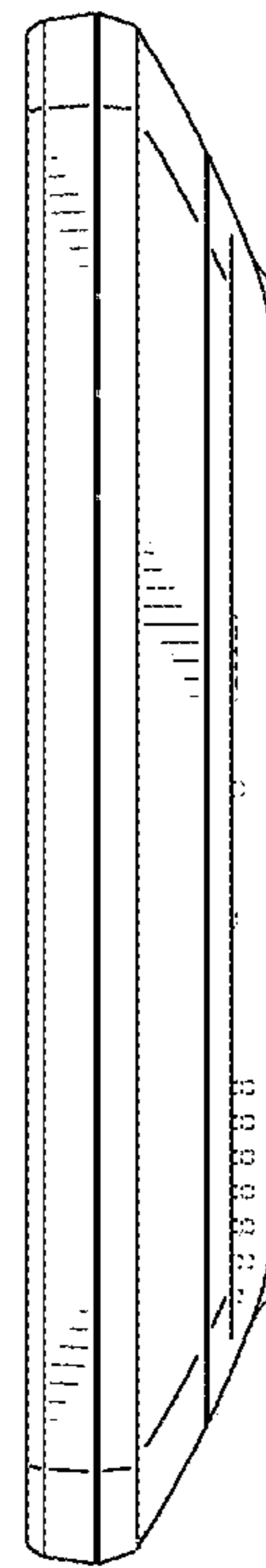


Fig. 8