



US00D955237S

(12) **United States Design Patent** (10) **Patent No.:** **US D955,237 S**
Fix (45) **Date of Patent:** **** *Jun. 21, 2022**

- (54) **DISPLAY UNIT**
- (71) Applicant: **PRECO ELECTRONICS, LLC**,
Boise, ID (US)
- (72) Inventor: **Jonathan Edward Fix**, Boise, ID (US)
- (73) Assignee: **Preco Electronics, LLC**, Boise, ID
(US)
- (*) Notice: This patent is subject to a terminal dis-
claimer.
- (**) Term: **15 Years**
- (21) Appl. No.: **29/726,833**
- (22) Filed: **Mar. 5, 2020**

Related U.S. Application Data

- (63) Continuation-in-part of application No. 16/780,714,
filed on Feb. 3, 2020.
- (51) **LOC (13) Cl.** **10-04**
- (52) **U.S. Cl.**
USPC **D10/65**; D10/103.1; D10/104.1
- (58) **Field of Classification Search**
USPC D10/65, 70, 103, 104.1, 106.1; D12/192
CPC B60K 35/00; B60K 31/18; B60K 31/00;
B60K 37/02; B60W 30/095; B60W
40/04; B60W 50/14; B60W 30/08; B60R
16/02; G08G 1/16; G01D 7/04; G01P
1/00; G01S 7/10; G01S 13/931
See application file for complete search history.

(56) **References Cited**

U.S. PATENT DOCUMENTS

- D346,125 S * 4/1994 Cote D10/104.2
- D401,872 S * 12/1998 Mohan D10/70
- D406,780 S * 3/1999 Chu D10/106.1
- D421,233 S * 2/2000 Icenogle D10/70
- D476,242 S * 6/2003 Glasson D10/65
- D601,444 S * 10/2009 Jones D10/103

- D697,438 S * 1/2014 Rector, III D10/65
- D746,166 S * 12/2015 Li D10/104.1
- D752,998 S * 4/2016 Robinson D10/65
- 9,376,121 B2 6/2016 Simon
- D848,292 S * 5/2019 Laurans D10/70
- 2016/0236616 A1 8/2016 Kurihara et al.
- 2018/0086346 A1 3/2018 Fujisawa et al.

FOREIGN PATENT DOCUMENTS

- DE 102008019461 A1 10/2009
- WO 2012/172067 A1 12/2012
- WO 2020/160549 A1 8/2020

OTHER PUBLICATIONS

PCT International Search Report and the Written Opinion, for PCT/US2020/016425, Applicant: Preco Electronics, LLC, dated Mar. 30, 2020.

* cited by examiner

Primary Examiner — Antoine Duval Davis
(74) *Attorney, Agent, or Firm* — Lee & Hayes, P.C.

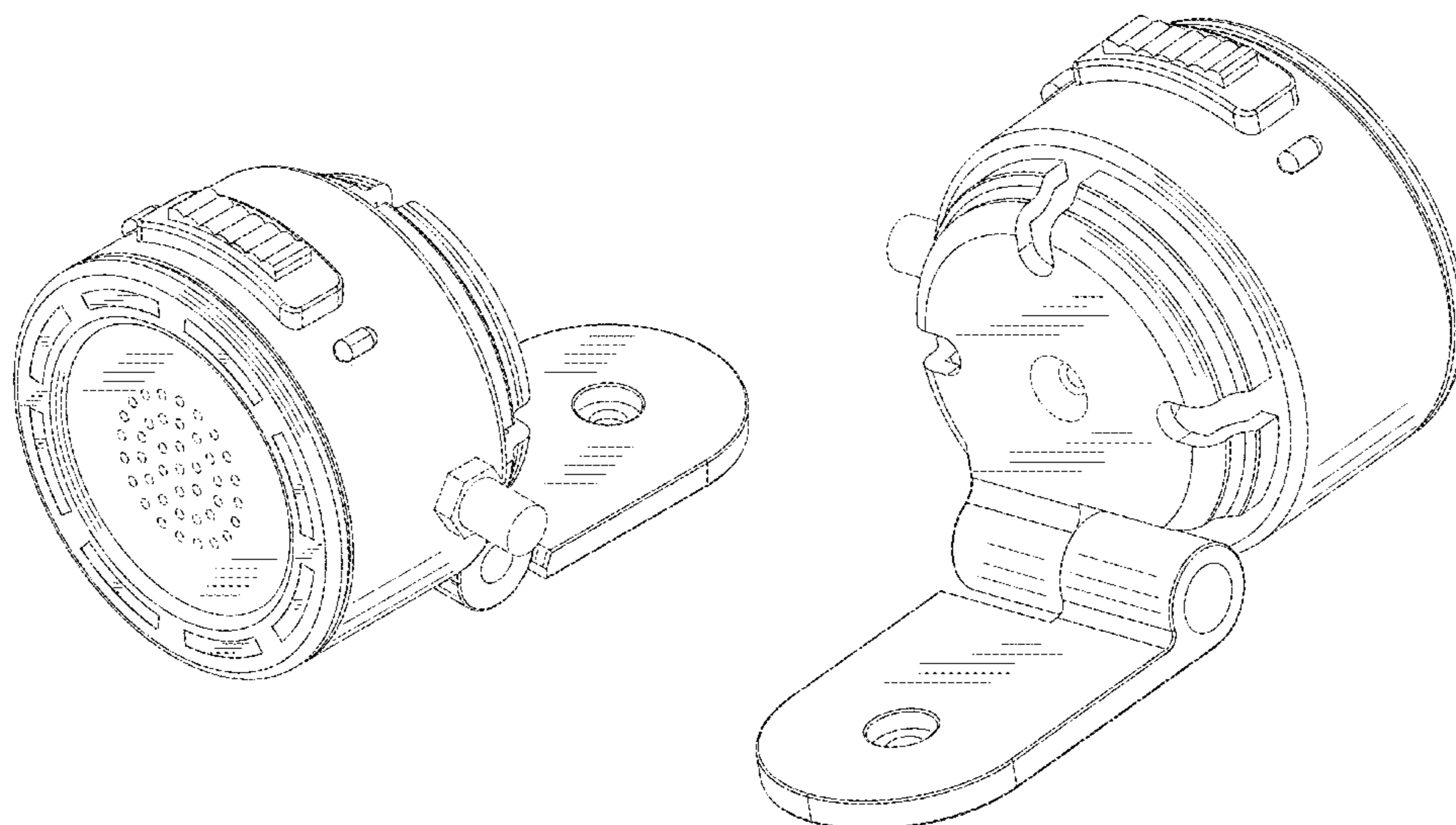
(57) **CLAIM**

The ornamental design for a display unit, as shown and described.

DESCRIPTION

FIG. 1 is a front isometric view of a first embodiment of the display unit, showing my new design;
FIG. 2 is a rear isometric view of the display unit of FIG. 1.
FIG. 3 is a front view of the display unit of FIG. 1.
FIG. 4 is a rear view of the display unit of FIG. 1.
FIG. 5 is a top view of the display unit of FIG. 1.
FIG. 6 is a bottom of the display unit of FIG. 1.
FIG. 7 is a right side view of the display unit of FIG. 1; and,
FIG. 8 is a left side view of the display unit of FIG. 1.
The broken lines illustrate portions of the display unit that form no part of the claimed design.

1 Claim, 8 Drawing Sheets



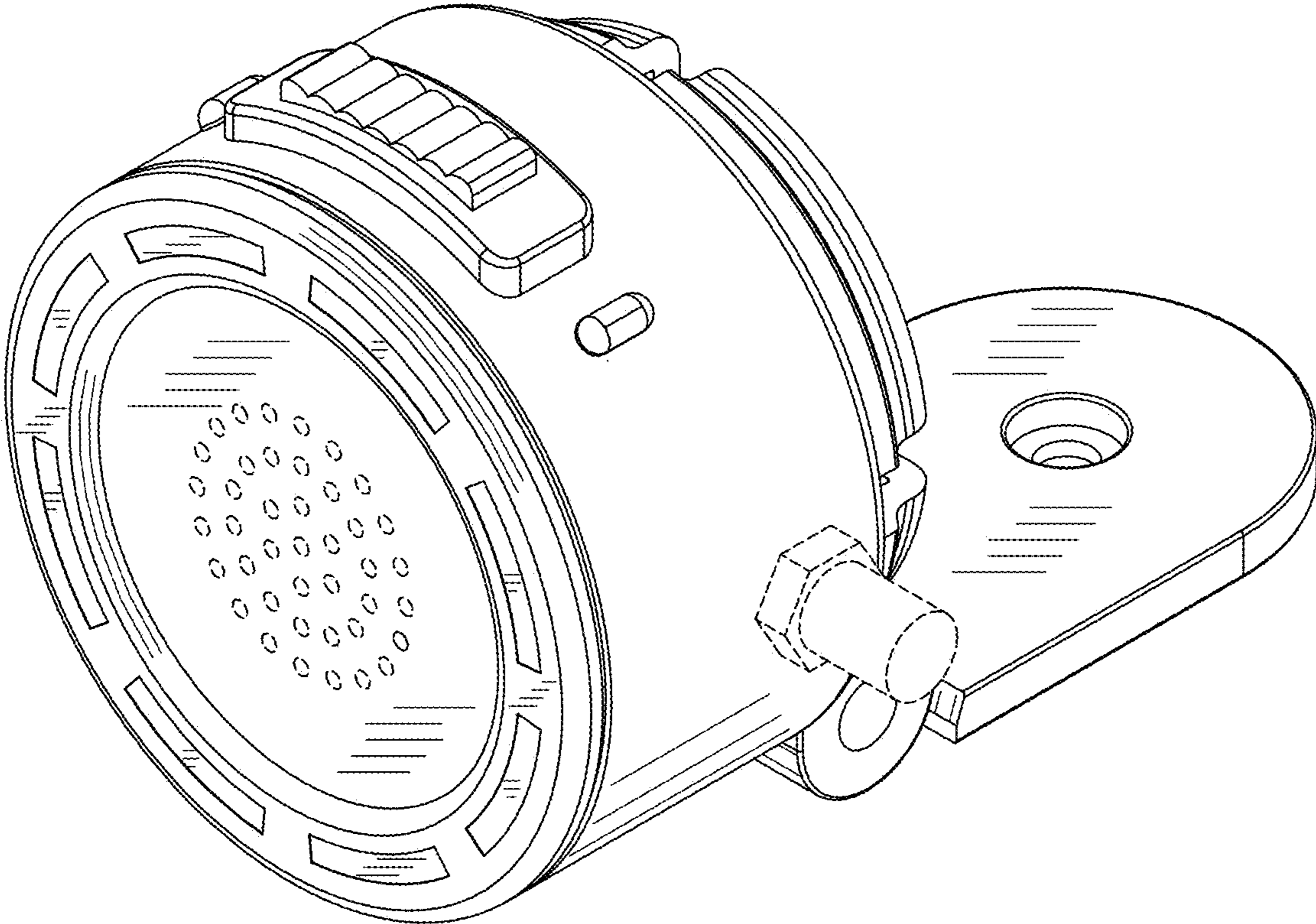


FIGURE 1

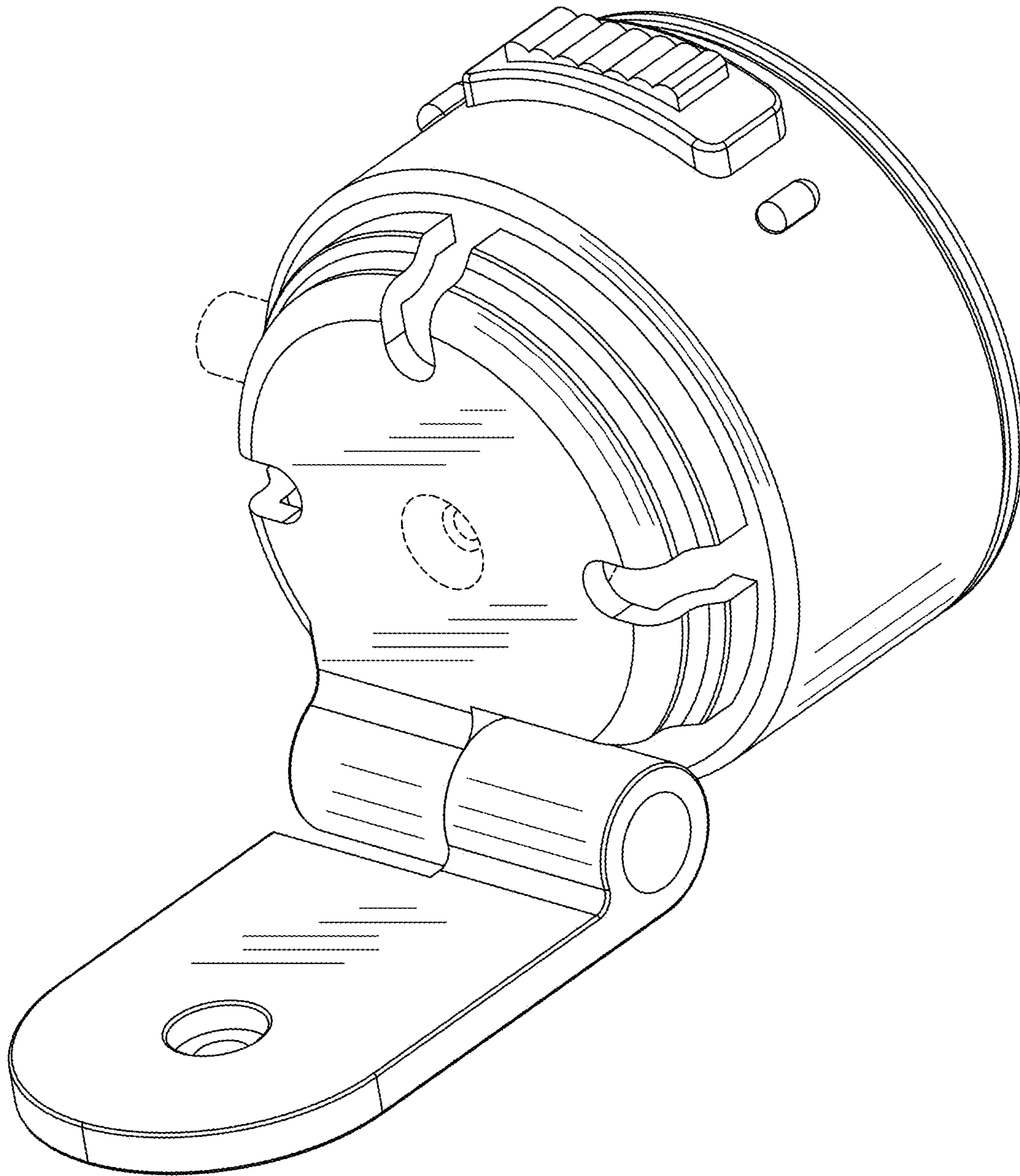


FIGURE 2

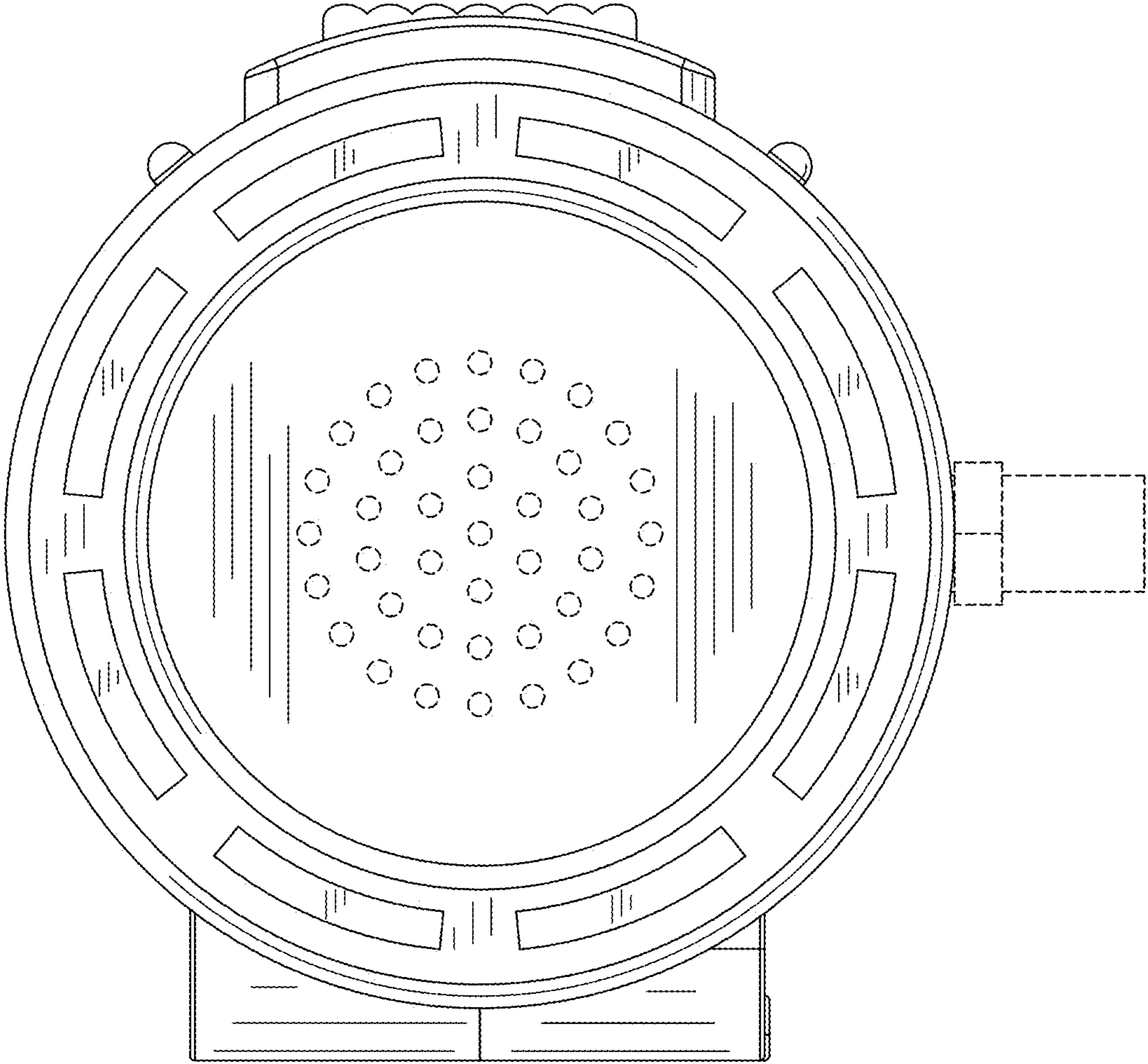


FIGURE 3

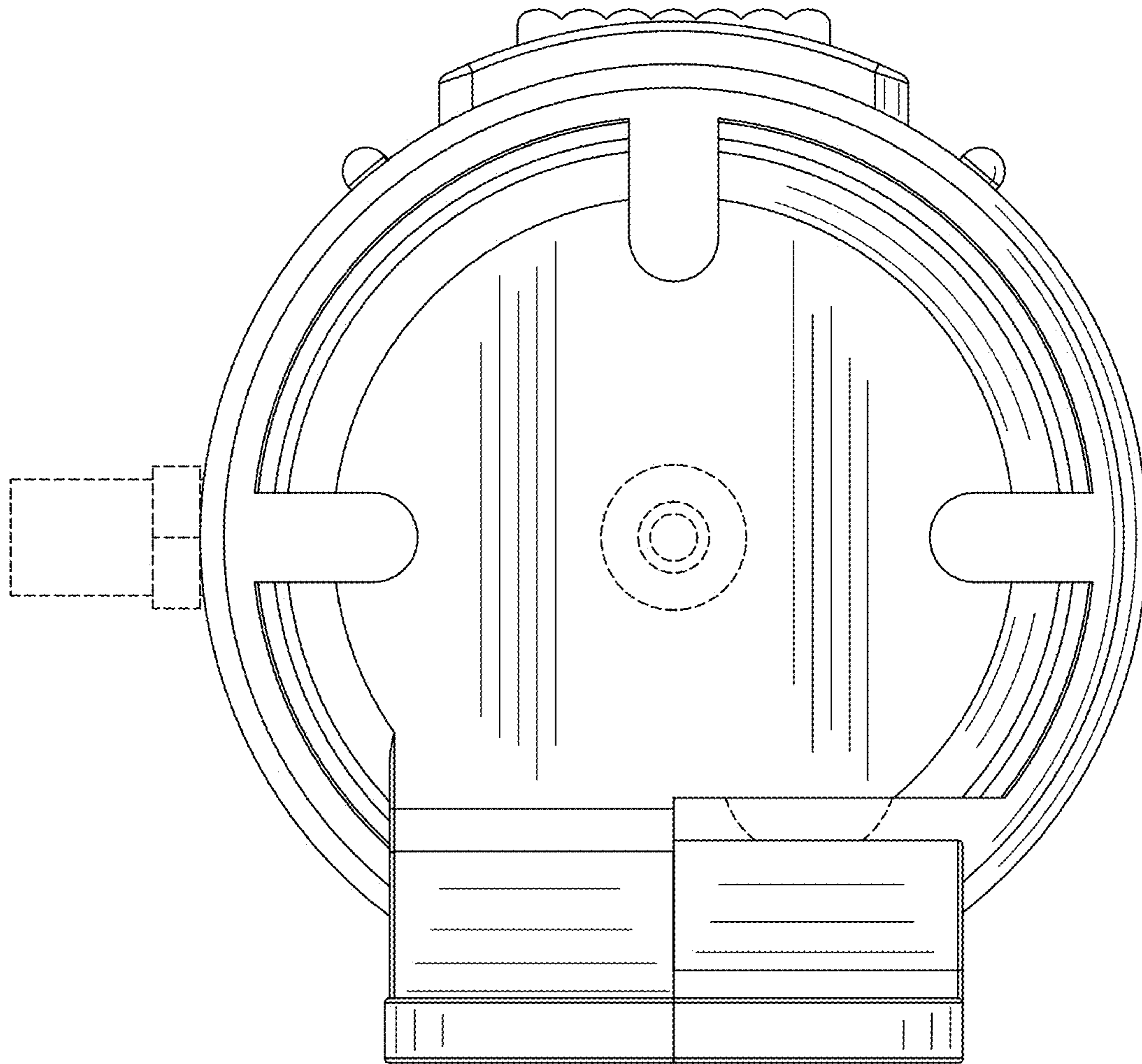


FIGURE 4

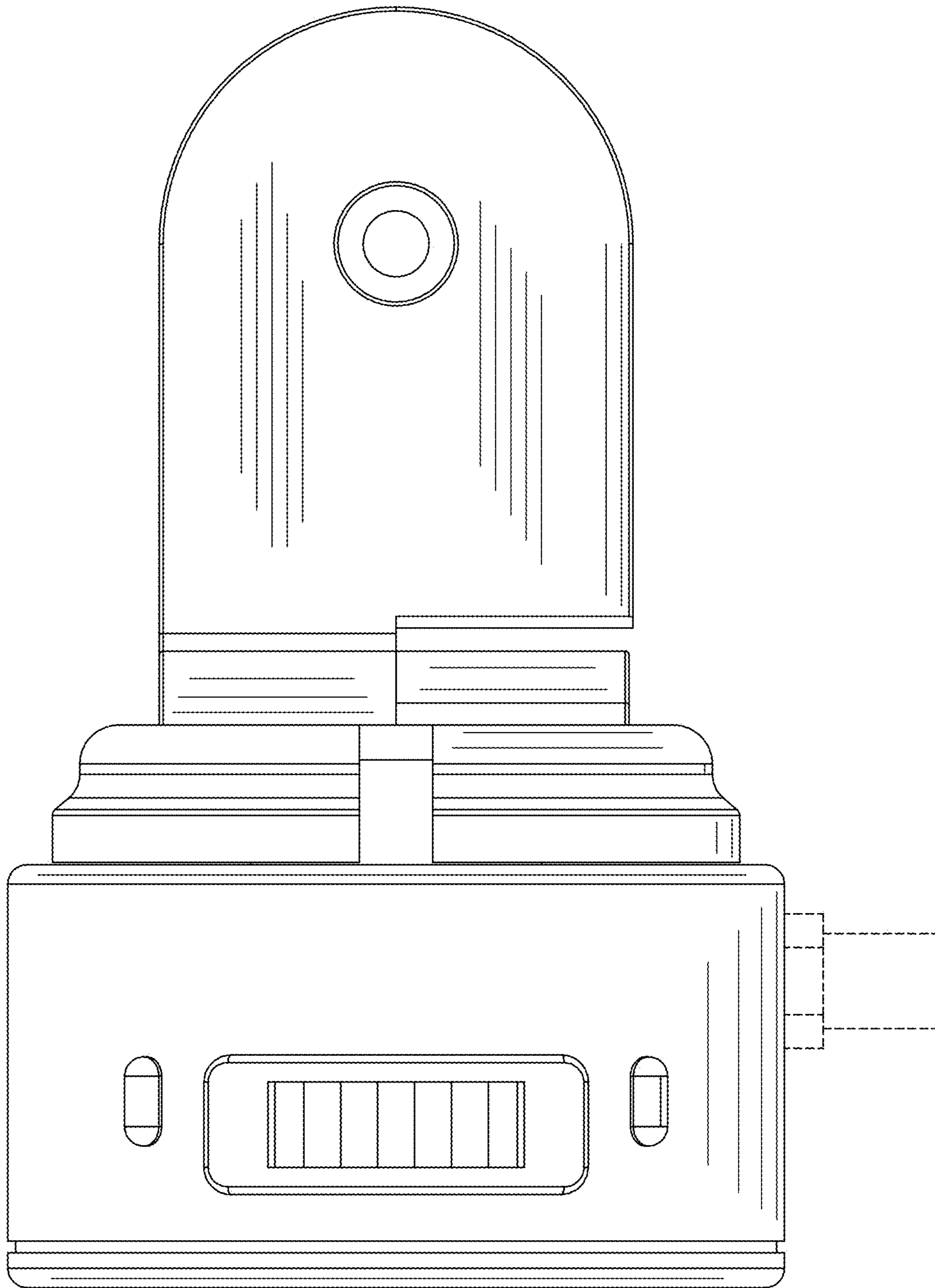


FIGURE 5

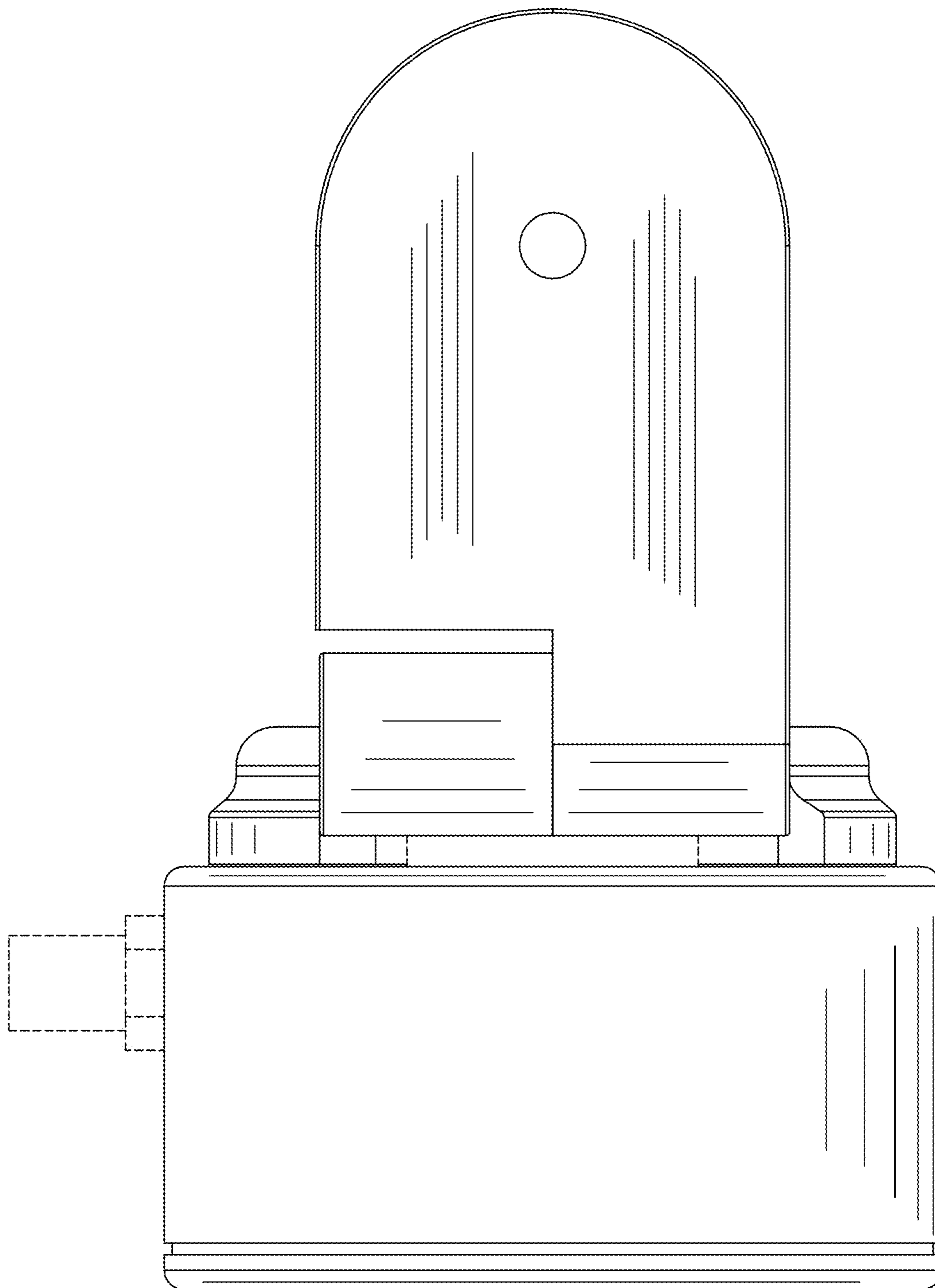


FIGURE 6

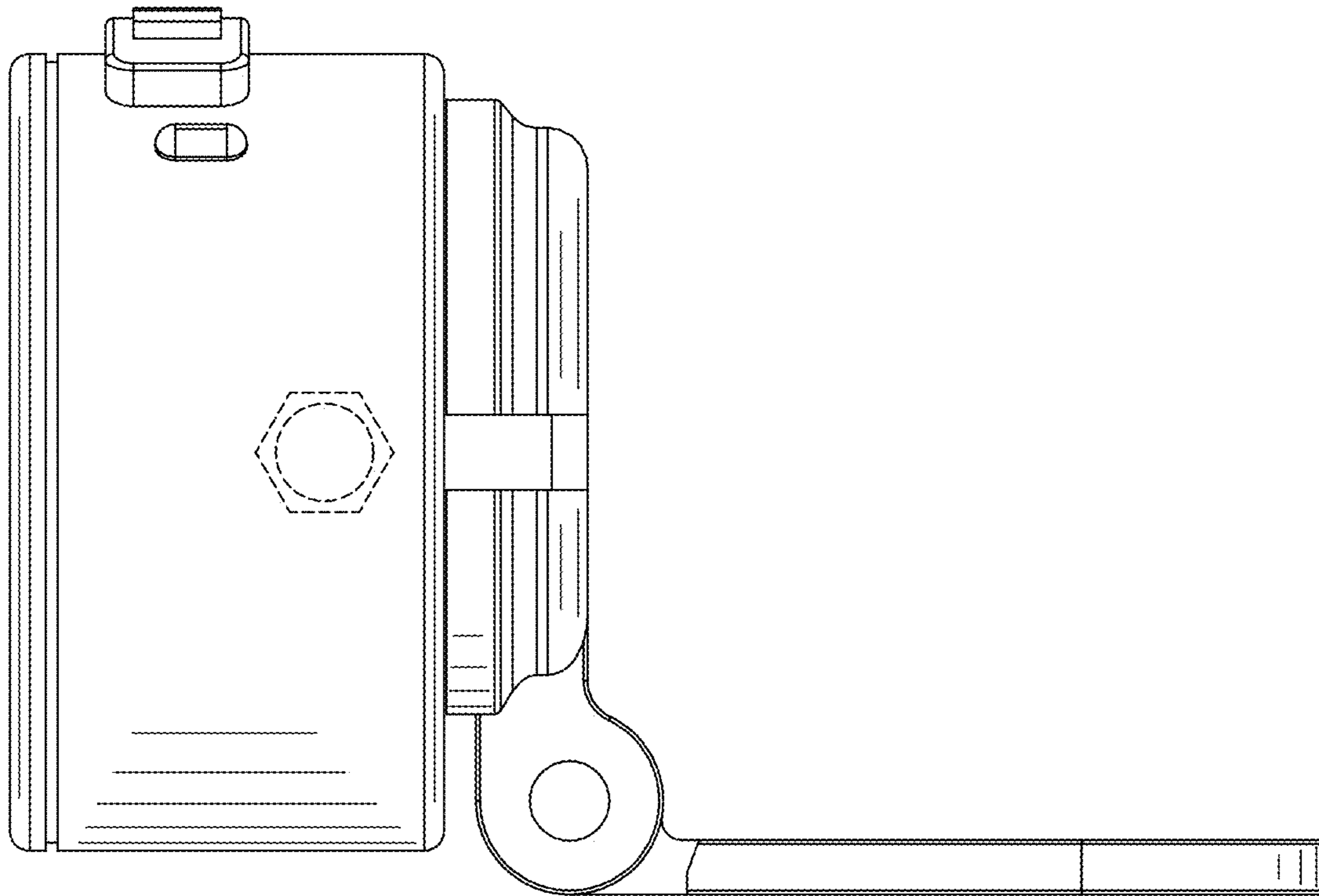


FIGURE 7

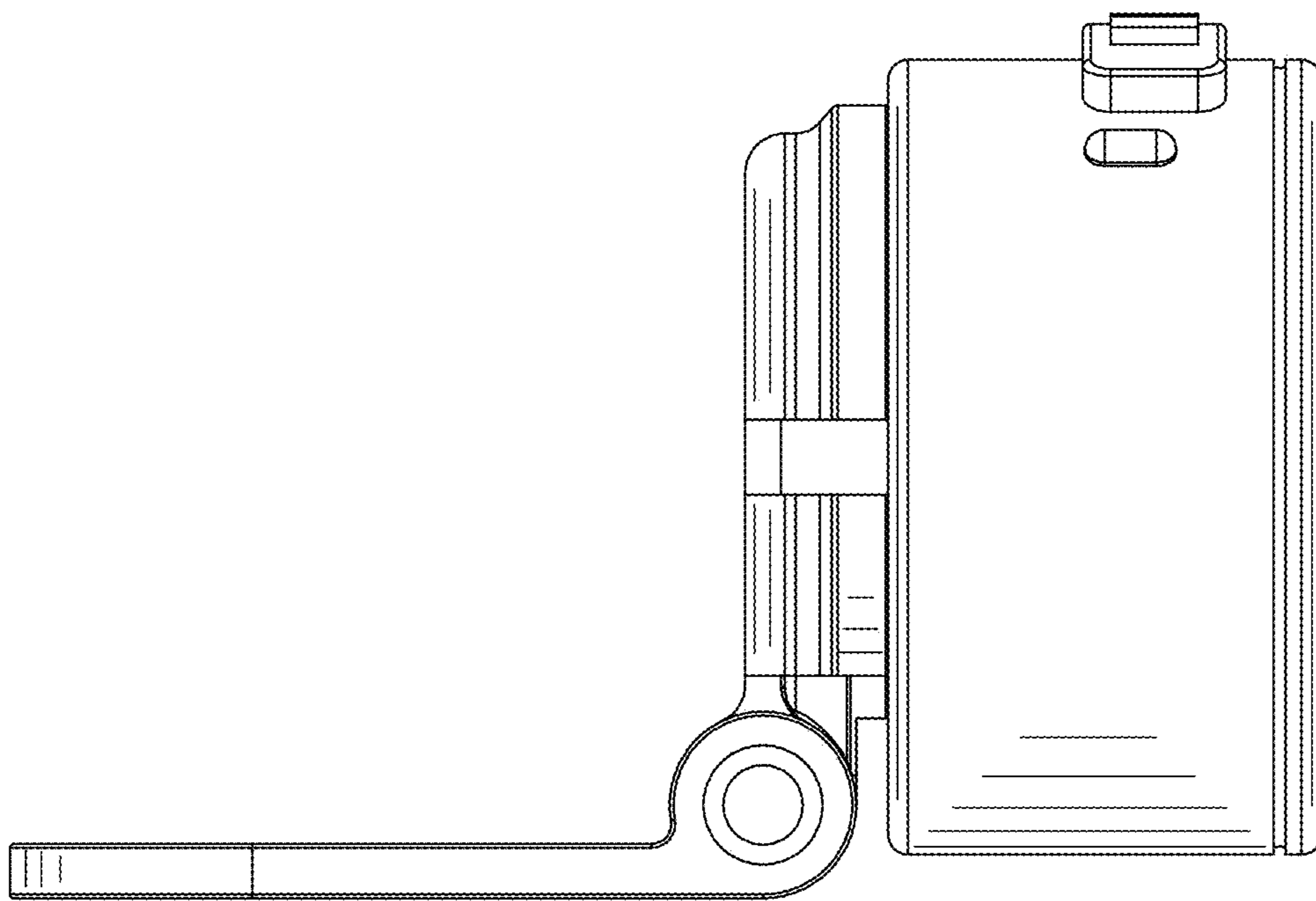


FIGURE 8