



US00D955233S

(12) **United States Design Patent**
Gong et al.

(10) **Patent No.:** **US D955,233 S**
(45) **Date of Patent:** **** Jun. 21, 2022**

- (54) **THERMO-HYGROMETER**
- (71) Applicant: **Shenzhen Intellirocks Tech. Co., Ltd,**
Shenzhen (CN)
- (72) Inventors: **Cheng Gong,** Shenzhen (CN); **Tong Li,**
Shenzhen (CN); **Wenlong Wu,**
Shenzhen (CN)
- (73) Assignee: **Shenzhen Intellirocks Tech. Co., Ltd,**
Shenzhen (CN)
- (**) Term: **15 Years**
- (21) Appl. No.: **29/735,800**
- (22) Filed: **May 25, 2020**
- (51) **LOC (13) Cl.** **10-04**
- (52) **U.S. Cl.**
USPC **D10/56**
- (58) **Field of Classification Search**
USPC D10/52, 15, 50, 60, 57, 75, 69, 56, 65,
D10/81, 78, 66; D14/307, 130, 218;
D16/130; D13/118, 110, 108; 307/11;
D24/217, 163
CPC ... G01C 1/00; G01C 1/14; G01C 1/06; G01C
3/08; G01C 15/008; G01S 7/4817; G01S
7/4808; G01S 17/08; G01S 17/42; H05K
5/00; H05K 5/02; H05K 5/0247; H05K
7/00; H05K 7/20; H05K 7/20136; H05K
7/20154; H05K 7/209; H02M 7/00;
H02M 7/003; H02M 2001/009; H02J
7/0042; Y10T 307/367
See application file for complete search history.

(56) **References Cited**

U.S. PATENT DOCUMENTS

- D693,248 S * 11/2013 Anderssen D10/65
- D693,249 S * 11/2013 Anderssen D10/65
- D705,201 S * 5/2014 Isaacs D14/240
- D764,419 S * 8/2016 Kashimoto D13/168
- D768,015 S * 10/2016 Yang D10/118.2

- D771,593 S * 11/2016 Koo D14/214
- D778,185 S * 2/2017 Ookawa D10/70
- D783,619 S * 4/2017 Couture D14/433
- D816,224 S * 4/2018 Wang D24/165
- D837,213 S * 1/2019 Kaiya D14/407
- D849,006 S * 5/2019 Pang D14/433

(Continued)

OTHER PUBLICATIONS

Youtube Govee Thermometer, Hygrometer, and Humidity Monitor-Bluetooth H5074 & H5075, publication date Jul. 1, 2020, (online) URL:https://www.youtube.com/watch?v=Ggk3EMTUzh8 (Year: 2020).*

(Continued)

Primary Examiner — George D. Kirschbaum

Assistant Examiner — Antoinette Martine Suiter

(74) *Attorney, Agent, or Firm* — W&G Law Group

(57) **CLAIM**

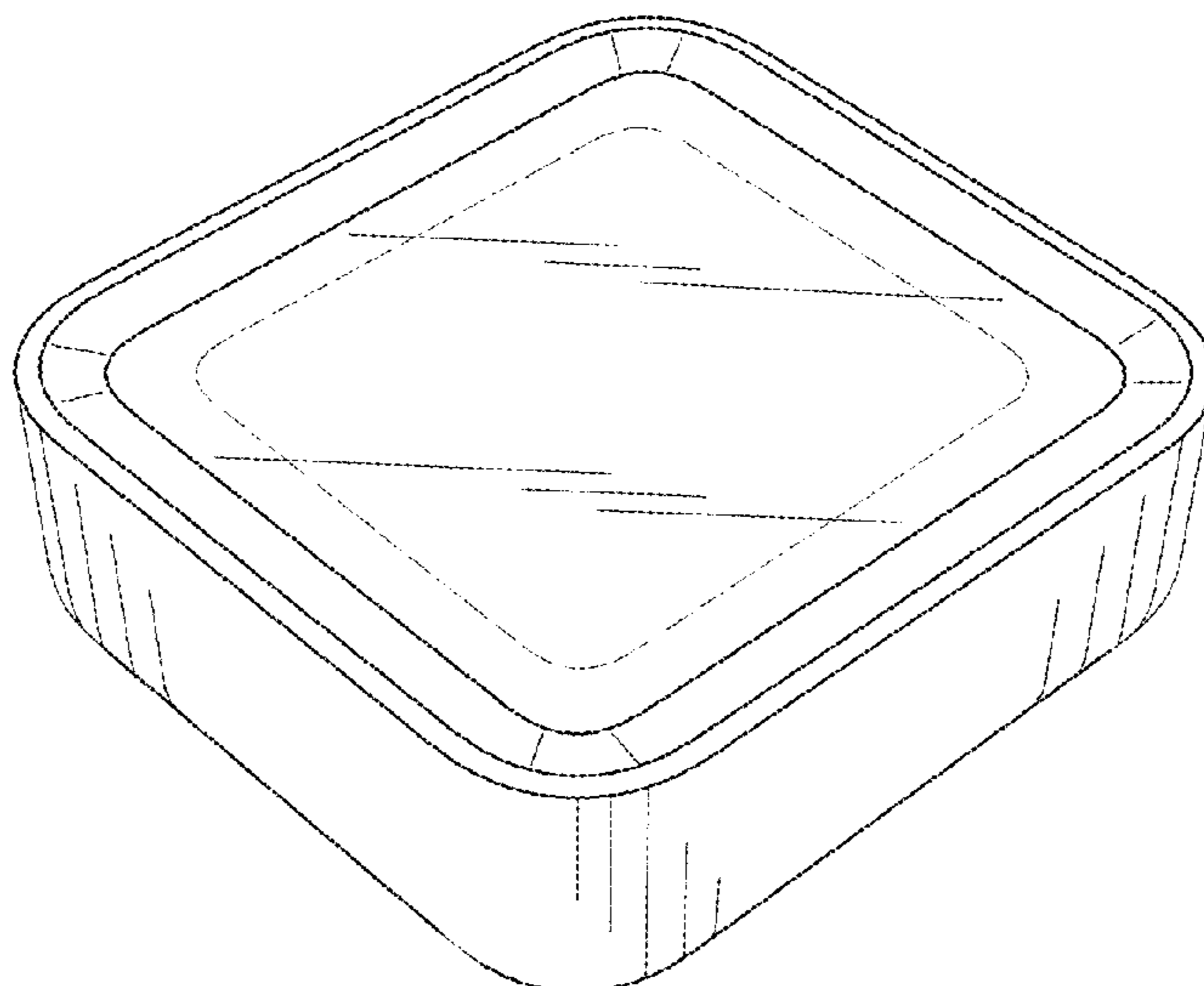
The ornamental design for a thermo-hygrometer, as shown and described.

DESCRIPTION

FIG. 1 is a front perspective view of a thermo-hygrometer showing the new design;
 FIG. 2 is a rear perspective view of the thermo-hygrometer showing the new design;
 FIG. 3 is a front view thereof;
 FIG. 4 is a rear view thereof;
 FIG. 5 is a left view thereof;
 FIG. 6 is a right view thereof;
 FIG. 7 is a top view thereof;
 FIG. 8 is a bottom view thereof; and,
 FIG. 9 is a perspective view of the thermo-hygrometer in use with a support.

The broken lines in the drawings show portions of the thermo-hygrometer which form no part of the claimed design.

1 Claim, 9 Drawing Sheets



(56)

References Cited

U.S. PATENT DOCUMENTS

D849,570 S * 5/2019 Sakalowsky D10/52
D859,195 S * 9/2019 Kristensson D10/106.1
D860,829 S * 9/2019 Yun D10/53
D864,145 S * 10/2019 Zhang D14/155
D871,240 S * 12/2019 Burns D10/70
D875,083 S * 2/2020 Sohn D14/218
D879,150 S * 3/2020 Kusano D14/496
D924,933 S * 7/2021 Kusano D14/496
D928,004 S * 8/2021 Nguyen D10/104.1
D929,994 S * 9/2021 Zhang D14/420

OTHER PUBLICATIONS

Govvee products website, Govvee Bluetooth Thermo-Hygrometer, publication date 2020, (online) URL:https://us.govvee.com/products/bluetooth-thermo-hygrometer?_pos=1&_sid=60911b7f6&_ss=r (Year: 2021).*

* cited by examiner

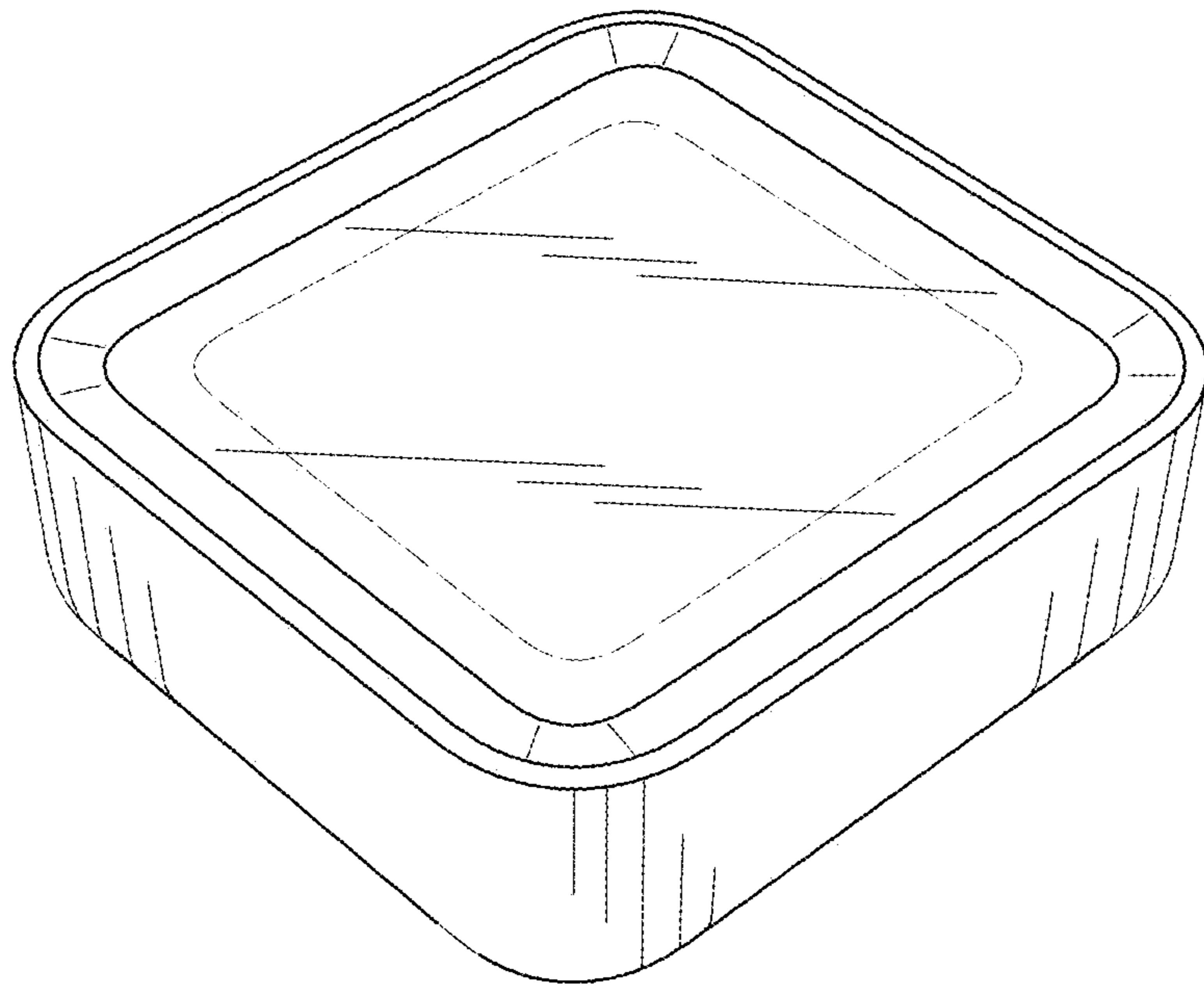


FIG. 1

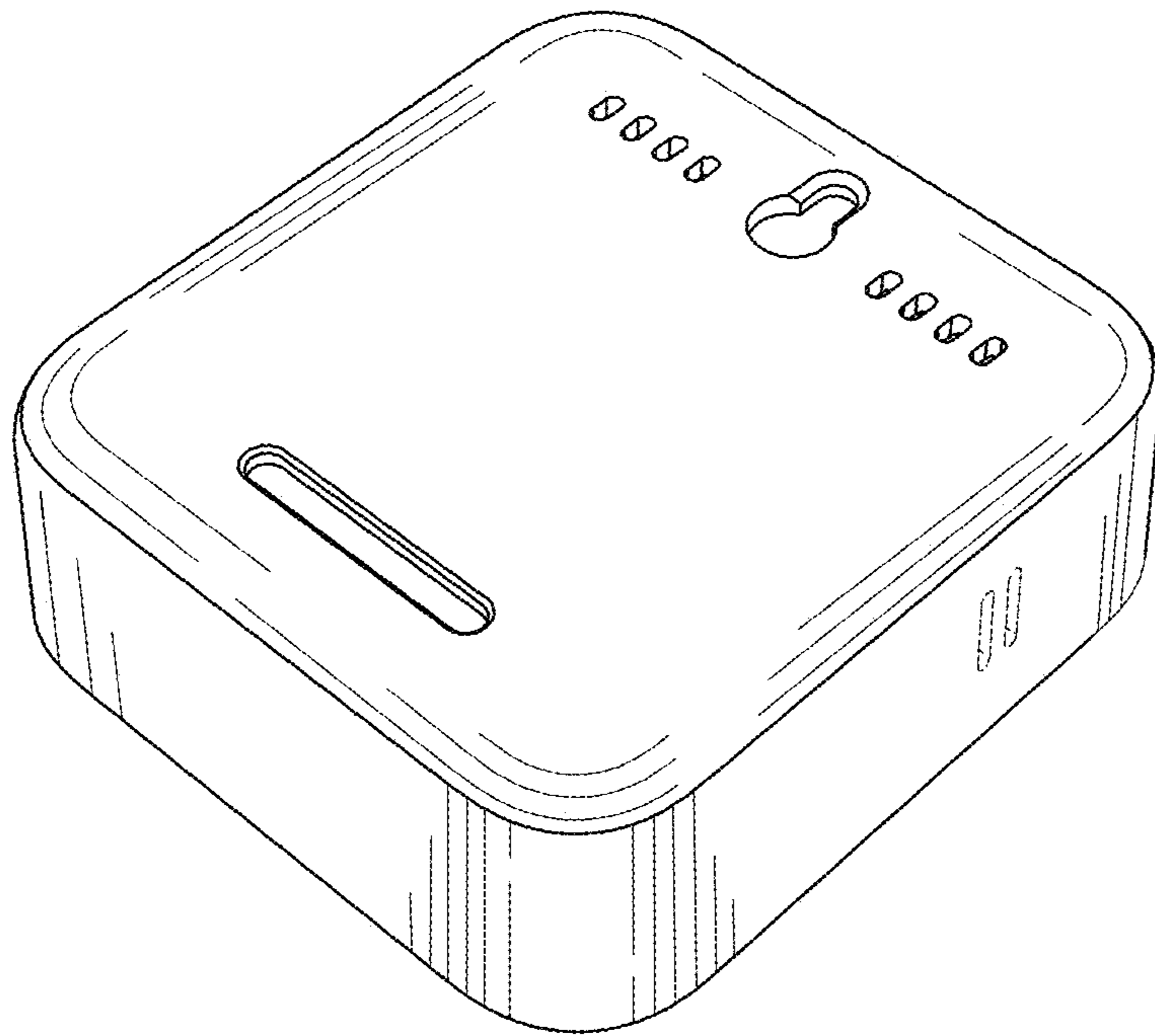


FIG. 2

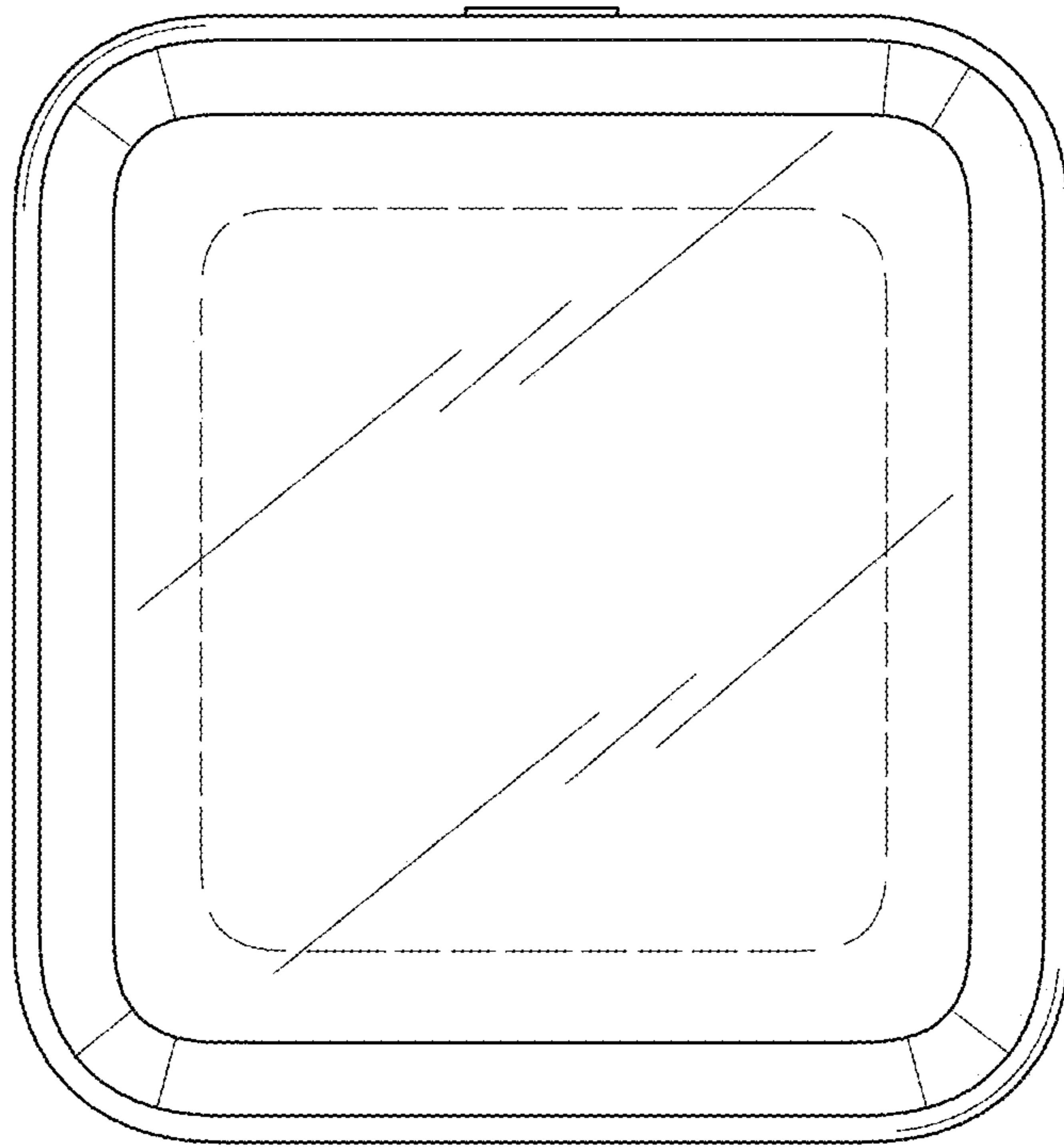


FIG. 3

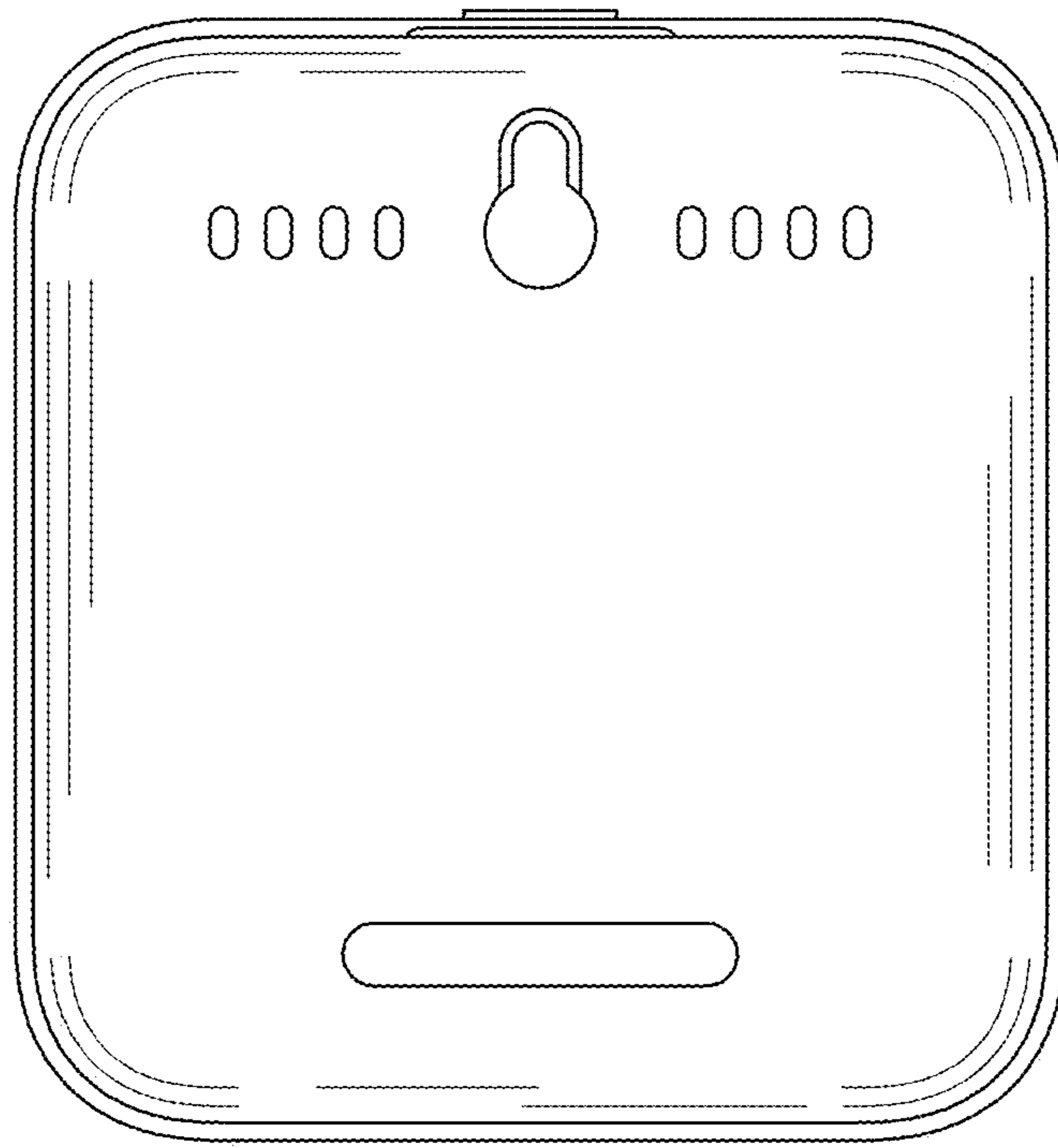


FIG. 4

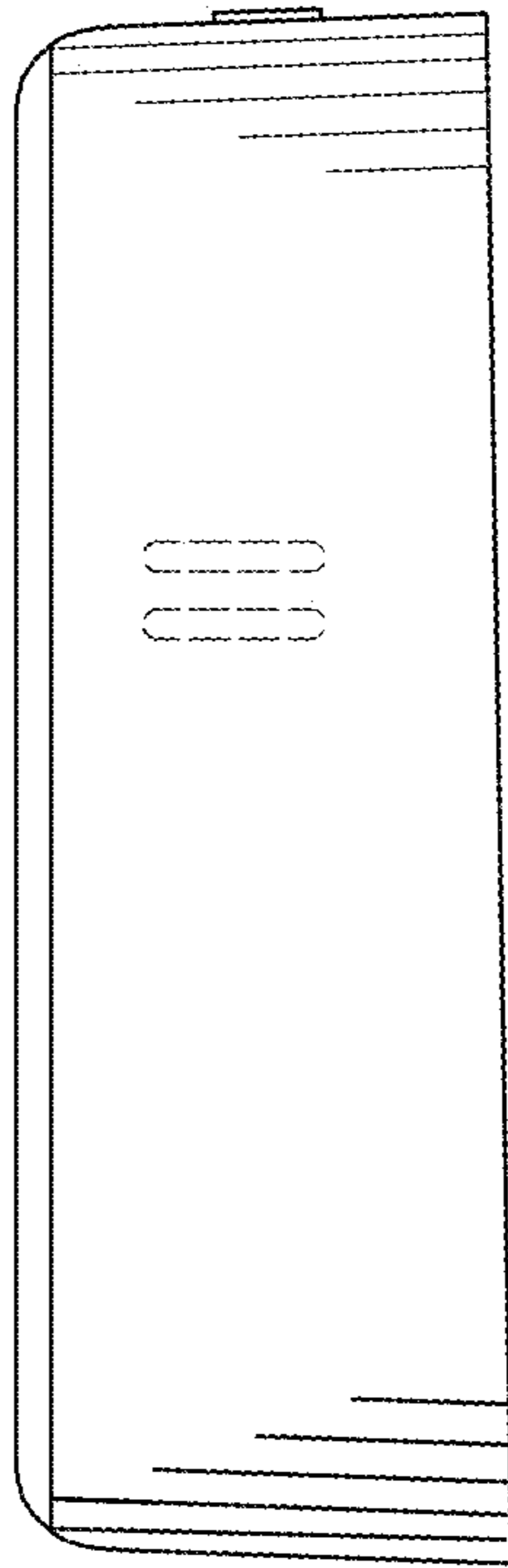


FIG. 5

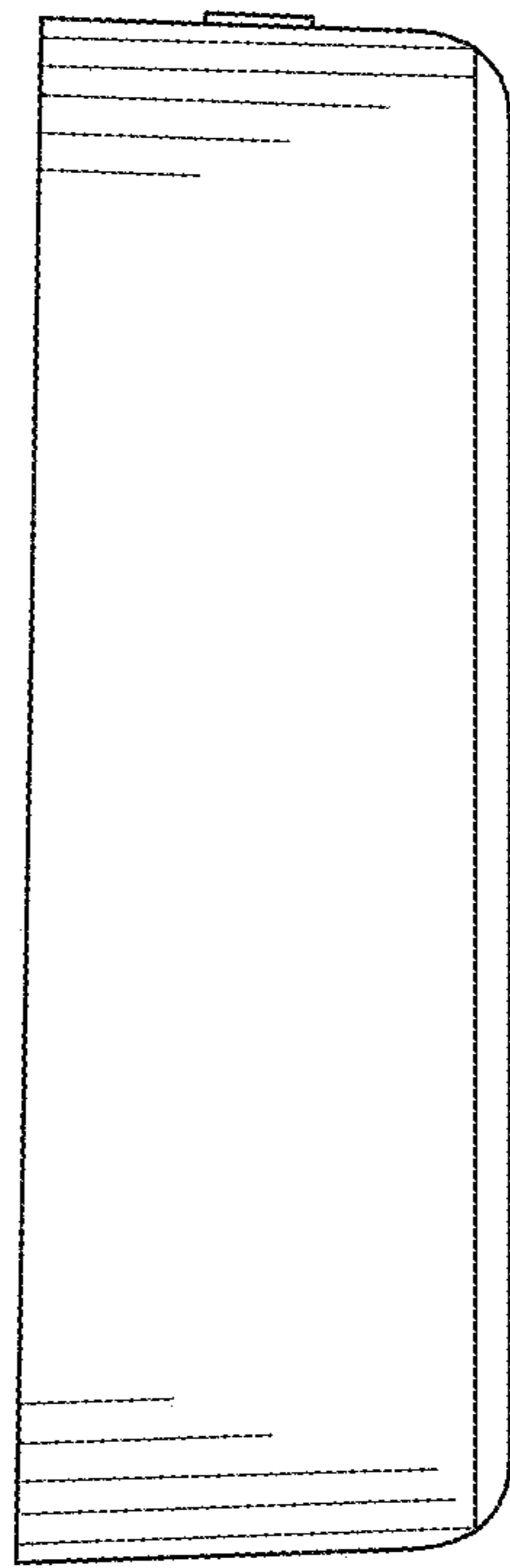


FIG. 6

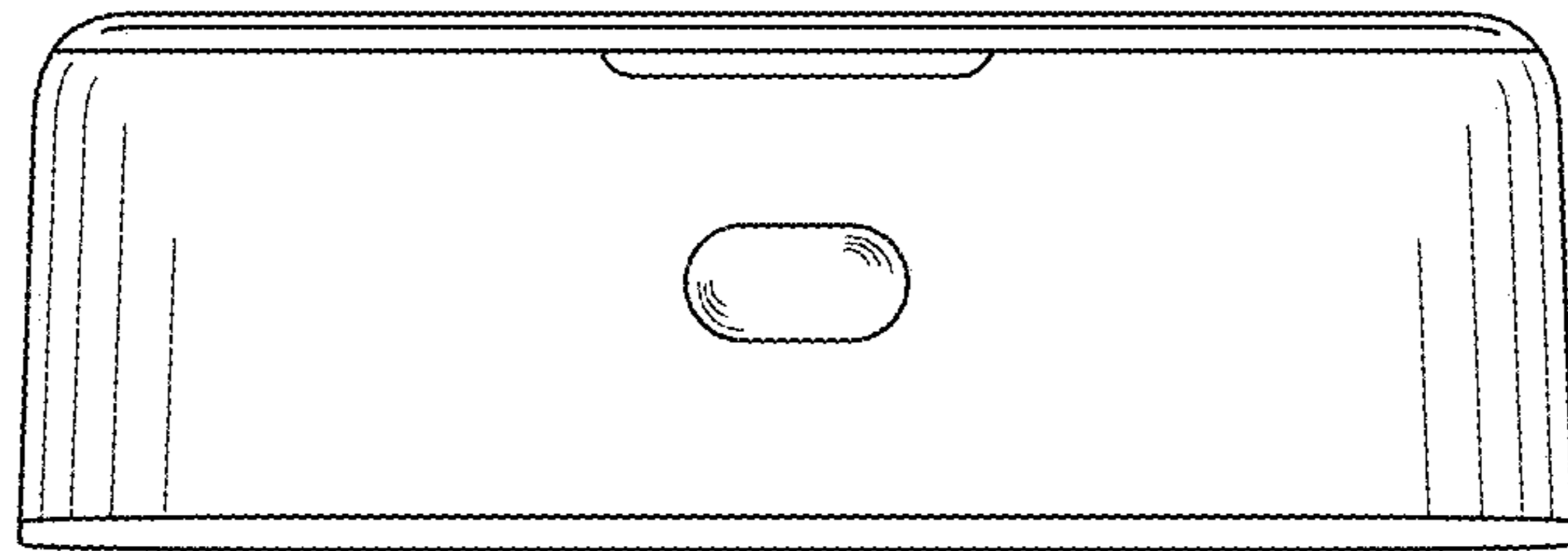


FIG. 7

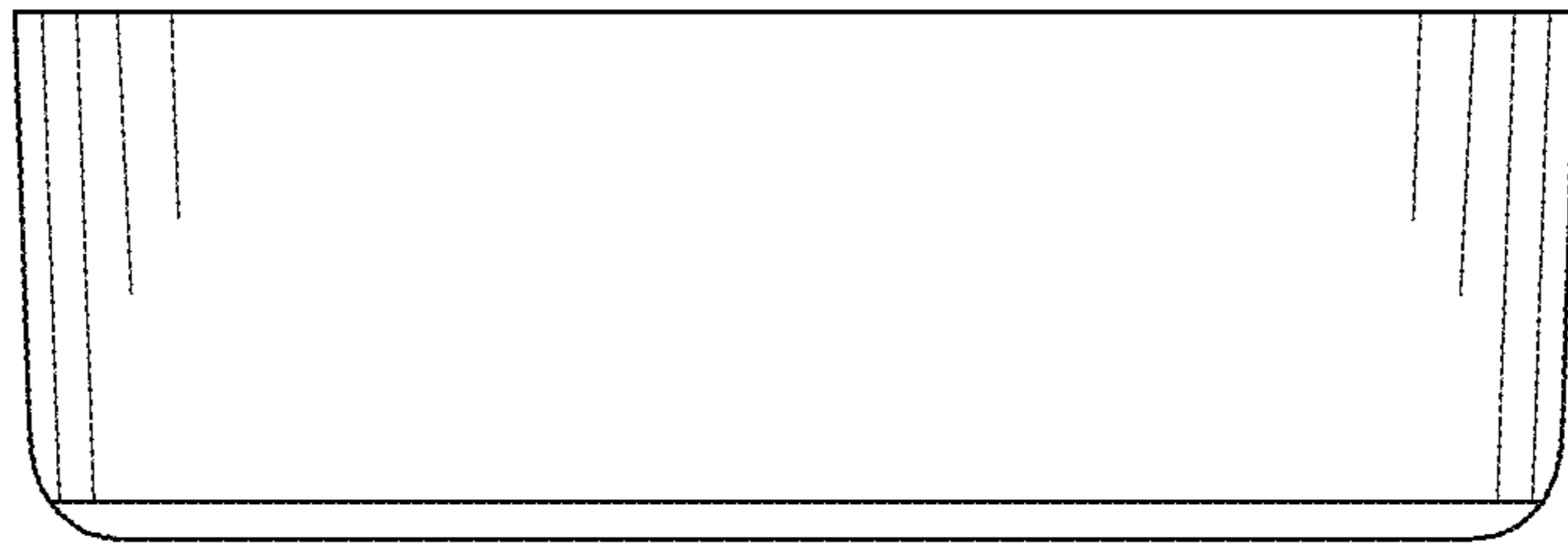


FIG. 8

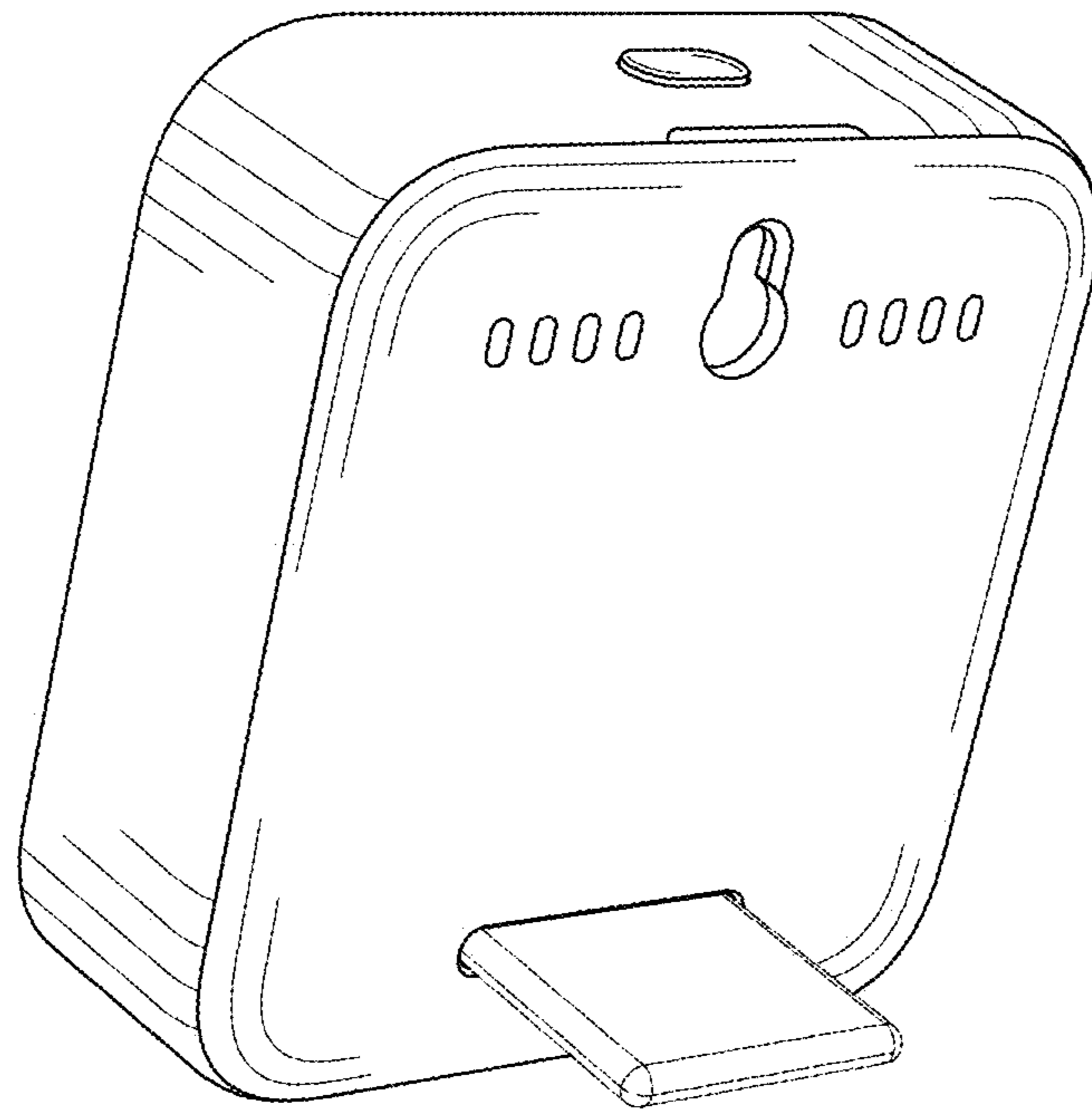


FIG. 9